



Mallory Sonalert Products, Inc.

Part #: **JT028-YG-CD**

Sales Outline Drawing

Revision: **D**

Specifications:

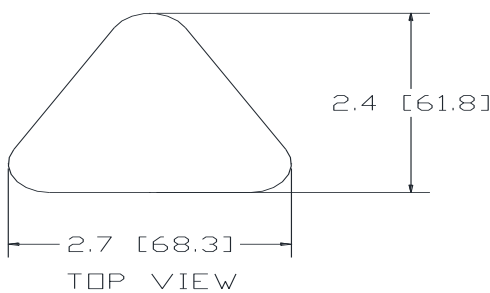
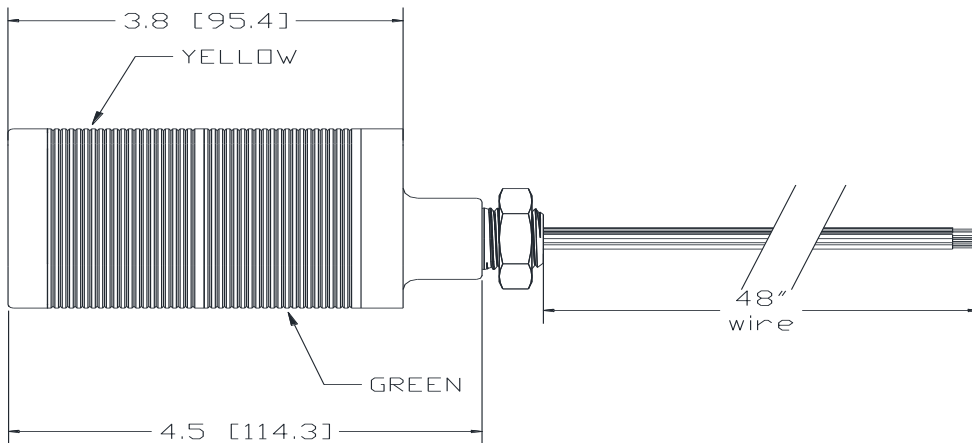
Stack Number:	1	2		
LED Color:	YELLOW	GREEN		
Connection Wires:	Yellow and Brown	Green and Brown		
LED Current Draw:	<60 mA	<40 mA		
Rated Voltage:	24 VAC/DC			
Operating Voltage:	20-28 VAC/DC			
Total Max Current:	<100mA			
Operating Temperature:	-25° ~ +60°C			
Lens Color:	Opaque White			
Material:	ABS FR15U			
Mounting Method:	Direct Mount using 1/2" NPT Stainless Steel Pipe and Nut			
Weight Typical (g):	210			
NEMA 12:	Approved			
Options:	Please contact factory.			

Dimensions: Inches (mm)

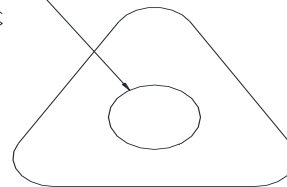
cUL Recognized

ROHS Compliant

PATENT NUMBER D898600 10309594



Ø0.88 [Ø22.2]
KNOCK OUT
FOR WIRES



MOUNTING
DIAGRAM

LED OPERATION: CONNECT STACK COLOR WIRE TO POWER AND BROWN WIRE TO POWER.