

CMCP783A Economical Side Entry Accelerometer



Features:

- Low Cost
- 100mV/g $\pm 10\%$
- 130° Max Temperature Range
- ± 60 Dynamic Range
- 2 Pin MS 5015 Connector
- 1/4"-28 UNF or M8x1.25 Captive Mounting Bolt
- Sealed to IP68



Typical Applications

Fans, Motors, Pumps, Compressors, Centrifuges, Conveyors, Air Handlers, Gearboxes, Rolls, Dryers, Presses, Cooling, HVAC, Spindles, Machine Tooling, Process Equipment and many more.

Technical Performance

Mounted Base Resonance:	27 kHz (nominal)
Sensitivity:	100mV/g $\pm 10\%$ Nominal 80Hz at 22°C
Frequency Response:	1.5 Hz to 10 kHz $\pm 10\%$ (90cpm to 600kcpm)
Isolation:	Base Isolated
Measurement Range:	± 60 g Peak
Transverse Sensitivity:	Less than 5%

Electrical

Electrical Noise:	0.1mg max
Current Range:	0.5mA to 8mA
Bias Voltage:	10-12 Vdc
Settling Time:	2 Seconds
Output Impedance:	200 Ohms max.
Case Isolation:	$>10^8$ Ohms at 500 Volts

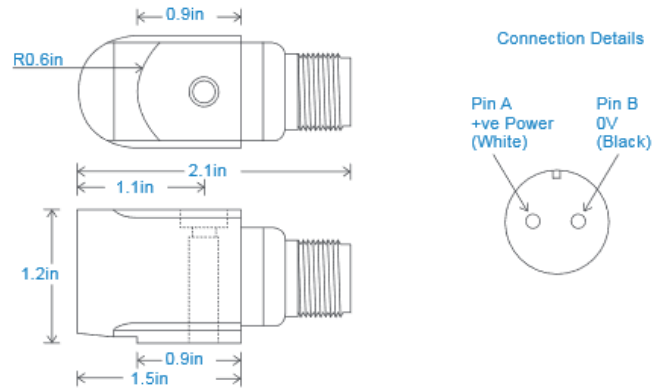
Environmental

Operating Temperature Range:	-67 to 266°F (-55 to 130°C)
Sealing:	IP68
Maximum Shock:	5000 g
Approvals:	CE Approved

Mechanical

Case Material:	Stainless Steel
Sensing Element:	PZT/Compression
Mounting Torque:	5.9ft. lbs (8Nm)
Weight:	4.4 Oz (125 grams)
Mating Connector:	2 Pin MIL 5015 MS Connector
Mounting:	
CMCP783A:	1/4"-28 UNF Captive Bolt Supplied with Sensor
CMCP783A-M8:	M8x1.25 Captive Bolt Supplied with Sensor

Dimensions



Ordering Information:

CMCP783A Economical Side Entry Accelerometer, 100mV/g with 2 Pin MS 5015, ¼"-28 UNF Mount
CMCP783A-M8 Economical Side Entry Accelerometer, 100mV/g with 2 Pin MS 5015, M8x1.25 UNF Mount

Alternative Sensitivity Ordering Information:

CMCP783A-XXX Specify Sensitivity in Place of -XXX
50mV/g (-050), 250mV/g (-250) and 500mV/g (-500)

Recommended Cable Assemblies:

General Purpose TPE Jacketed Cable (Rated to 120°C)

CMCP602L Series 2 Socket MS Connector, Locking Collar, IP67
CMCP602LST Series 2 Socket MS Connector, Push On Seal Tight, IP68

High Temperature FEP Jacketed Cable (Rated to 200°C)

CMCP602H Series 2 Socket MS Connector, Locking Collar, IP67
CMCP602HST Series 2 Socket MS Connector, Push On Seal Tight, IP68