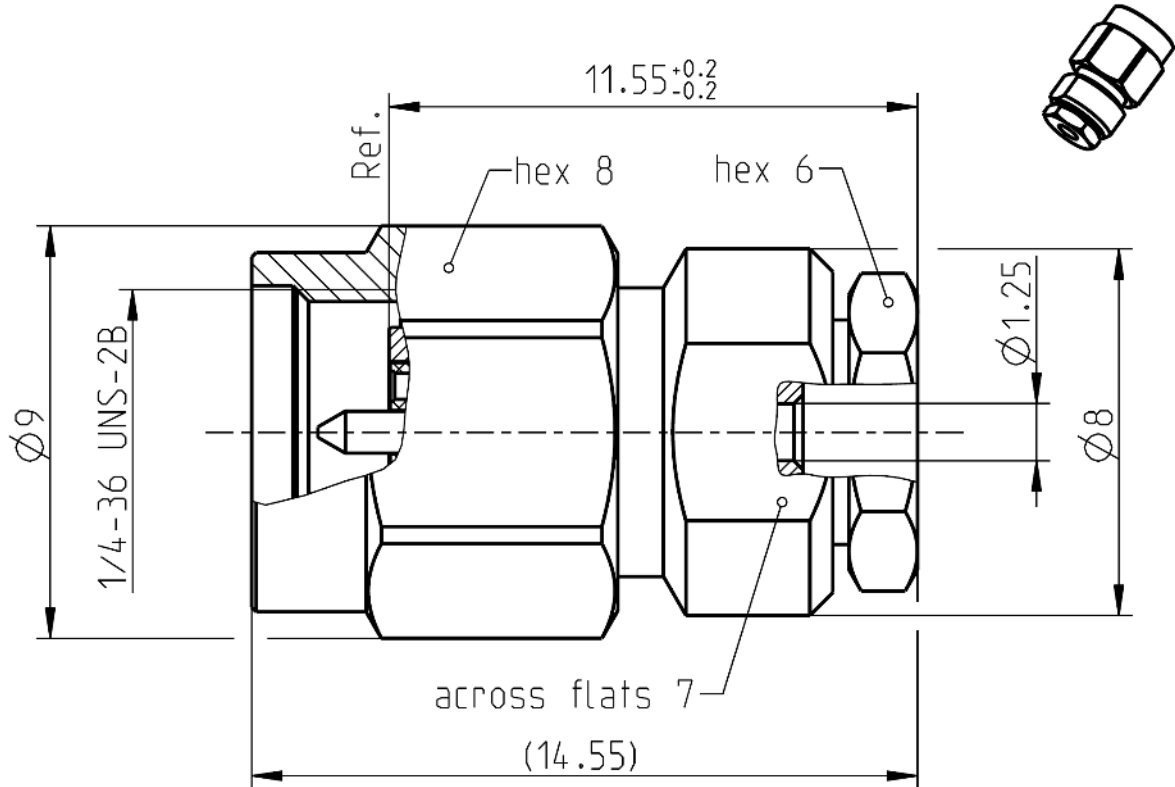


RPC-2.92 Straight plug

02S141-270L5



All dimensions are in mm; tolerances according to ISO 2768 m-H

Interface

According to IEC 61169-35
Mechanically compatible with RPC-3.50 and SMA

Documents

Assembly instruction 02 A11

Material and plating

Connector parts

- Center contact
- Outer contact
- Coupling nut
- Dielectric 1
- Dielectric 2
- Gasket
- Solder sleeve

Material

- Brass
- CuBe or equiv.
- CuBe or equiv.
- PS
- PTFE
- Silicone
- Brass

Plating

- AuroDur®, gold plated
- AuroDur®, gold plated
- Gold, 0.1 μ m min.
- Gold, 0.1 μ m min.

Dieses Dokument ist urheberrechtlich geschützt • This document is protected by copyright • Rosenberger Hochfrequenztechnik GmbH & Co. KG

RF_35/05:10/6.0

RPC-2.92 Straight plug

02S141-270L5

Electrical data

Impedance 50 Ω
 Frequency DC to 40 GHz
 Return loss ≥ 23 dB, DC to 20 GHz
 ≥ 21 dB, 20 GHz to 40 GHz
 Insertion loss ≤ 0.04 x √f(GHz) dB
 Insulation resistance ≥ 5 GΩ
 Center contact resistance ≤ 3.0 mΩ
 Outer contact resistance ≤ 2.0 mΩ
 Test voltage 750 V rms
 Working voltage 250 V rms
 RF-leakage ≥ 100 dB up to 1 GHz

- Limitations are possible due to the used cable type -

Mechanical data

Mating cycles ≥ 500
 Coupling test torque 1.70 Nm
 Recommended torque 0.80 Nm to 1.10 Nm

Environmental data

Temperature range -40°C to +85°C
 Thermal shock MIL-STD-202, Method 107, Condition B
 Corrosion MIL-STD-202, Method 101, Condition B
 Vibration MIL-STD-202, Method 204, Condition D
 Shock MIL-STD-202, Method 213, Condition I
 Moisture resistance MIL-STD-202, Method 106
 RoHS compliant

Tooling

Insert tool 02W006-000

Suitable cables

UT 47, RTK 047

Packing

Standard 1 pce in bag
 Weight 3.9 g/pce

While the information has been carefully compiled to the best of our knowledge, nothing is intended as representation or warranty on our part and no statement herein shall be construed as recommendation to infringe existing patents. In the effort to improve our products, we reserve the right to make changes judged to be necessary.

Draft	Date	Approved	Date	Rev.	Engineering change number	Name	Date
Herbert Babinger	26.10.11	T. Oberhauser	18.09.14	c00	14-0768	T. Oberhauser	18.09.14

Rosenberger Hochfrequenztechnik GmbH & Co. KG
 P.O.Box 1260 D-84526 Tittmoning Germany
 www.rosenberger.de

Tel. : +49 8684 18-0
 Fax : +49 8684 18-499
 Email : info@rosenberger.de

Page
 2 / 2