

A-INSP-PG9-65N-P-BK - Screw plug



1047272

<https://www.phoenixcontact.com/us/products/1047272>

Please be informed that the data shown in this PDF document is generated from our online catalog. Please find the complete data in the user documentation. Our general terms of use for downloads are valid.

Screw plug, material for screw connection: PA, connecting thread: Pg9, color: jet black RAL 9005, with O-ring



Commercial data

Item number	1047272
Packing unit	1 pc
Minimum order quantity	10 pc
Sales key	BF68
Product key	BF7DZX
Catalog page	Page 703 (C-2-2019)
GTIN	4055626647814
Weight per piece (including packing)	1.38 g
Weight per piece (excluding packing)	1.38 g
Customs tariff number	85389099
Country of origin	DE

A-INSP-PG9-65N-P-BK - Screw plug



1047272

<https://www.phoenixcontact.com/us/products/1047272>

Technical data

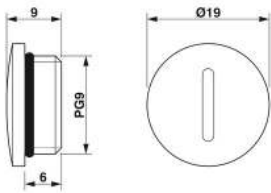
Product properties

Product type	Plug for cable screw gland
--------------	----------------------------

Ex data

Suited for EX-applications	No
----------------------------	----

Dimensions

Dimensional drawing	
Length	9 mm
Length of the connecting thread	6 mm
Diameter	19 mm
	19 mm
Thread type connection side	Pg9

Material specifications

Seal material O-ring	NBR
Material for screw connection	PA

Environmental and real-life conditions

Ambient conditions

Degree of protection	IP65
Ambient temperature (operation)	-20 °C ... 100 °C

A-INSP-PG9-65N-P-BK - Screw plug

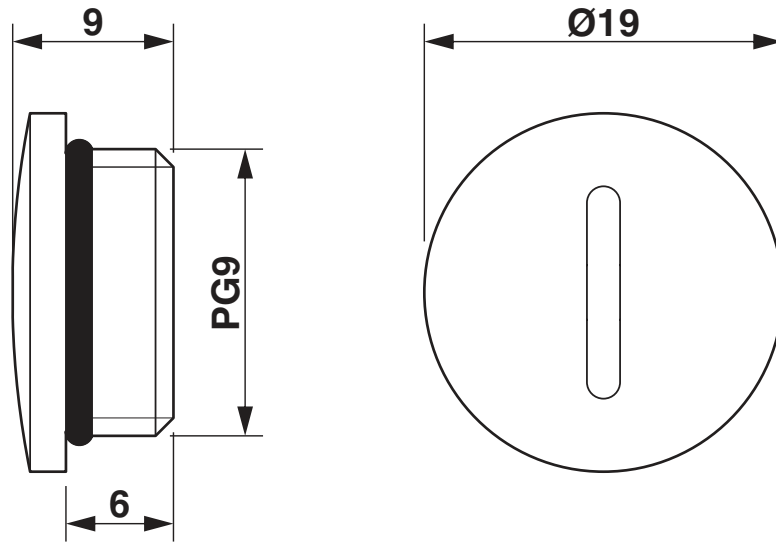
1047272

<https://www.phoenixcontact.com/us/products/1047272>



Drawings

Dimensional drawing



Dimensional drawing

A-INSP-PG9-65N-P-BK - Screw plug



1047272

<https://www.phoenixcontact.com/us/products/1047272>

Classifications

ECLASS

ECLASS-11.0	23111190
ECLASS-12.0	23111190
ECLASS-13.0	23111190

ETIM

ETIM 8.0	EC000032
----------	----------

UNSPSC

UNSPSC 21.0	31261500
-------------	----------

A-INSP-PG9-65N-P-BK - Screw plug



1047272

<https://www.phoenixcontact.com/us/products/1047272>

Environmental product compliance

China RoHS	Environmentally friendly use period: unlimited = EFUP-e
	No hazardous substances above threshold values

A-INSP-PG9-65N-P-BK - Screw plug

1047272

<https://www.phoenixcontact.com/us/products/1047272>



Accessories

A-INL-PG9-P-BK - Counter nut

1424559

<https://www.phoenixcontact.com/us/products/1424559>

Counter nut, connecting thread: Pg9, color: jet black



Phoenix Contact 2023 © - all rights reserved
<https://www.phoenixcontact.com>

Phoenix Contact USA
586 Fulling Mill Road
Middletown, PA 17057, United States
(+717) 944-1300
info@phoenixcon.com