

# 78453-\*\*\*0\*

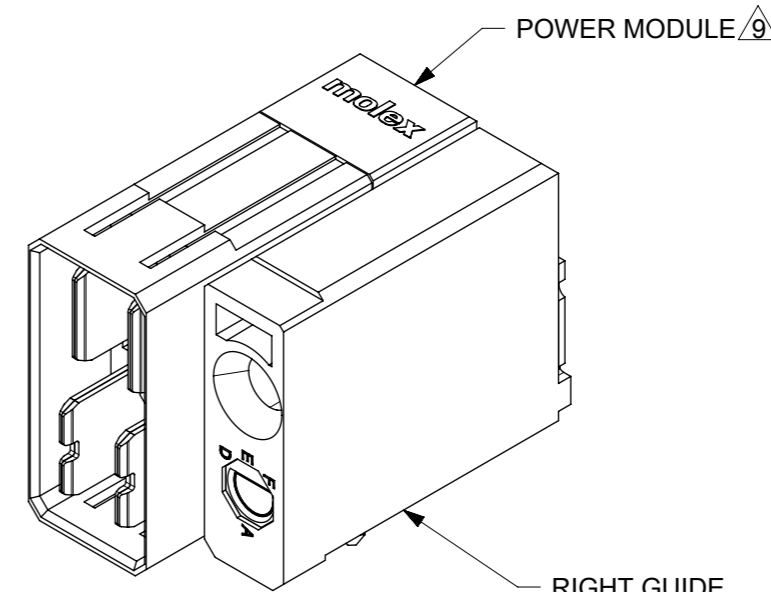
PLATING OPTION	GUIDE LOCATION & ESD OPTION	*
TIN	RIGHT GUIDE WITH ESD	2
	RIGHT GUIDE WITHOUT ESD	4

*	POLARIZATION KEY ORIENTATION
0	NO KEY
1	A
2	B
3	C
4	D
5	E
6	F
7	G
8	H

POWER MODULE 1		
*	BLADE LENGTH	
	P1	P2
1	6.90	6.90
2	5.70	5.70
5	6.90	5.70
7	5.70	6.90

## NOTES:

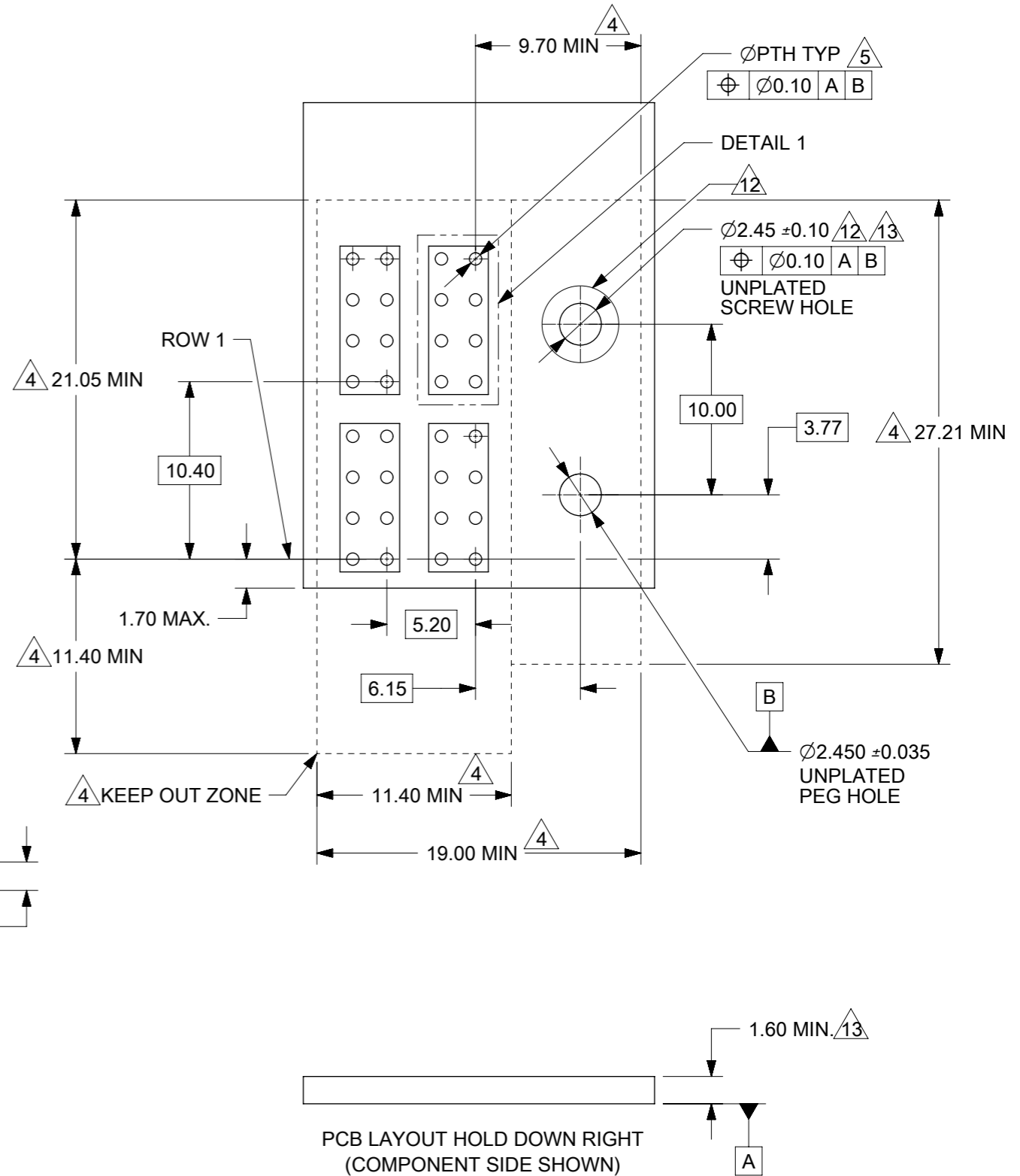
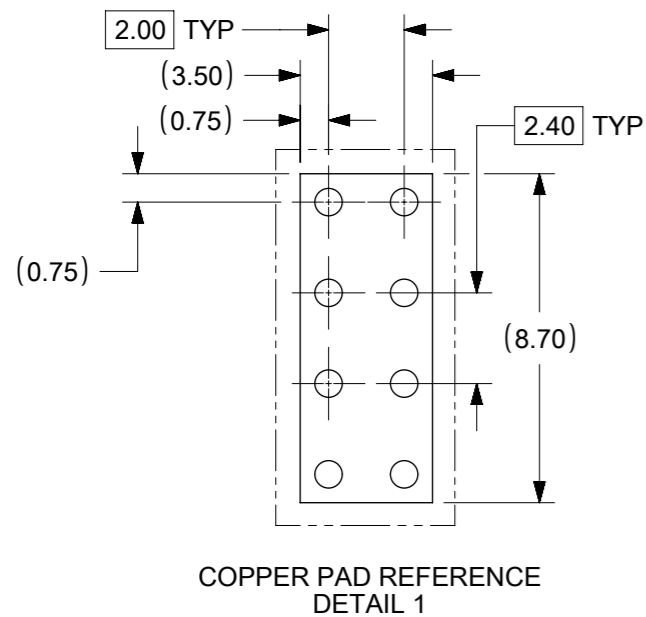
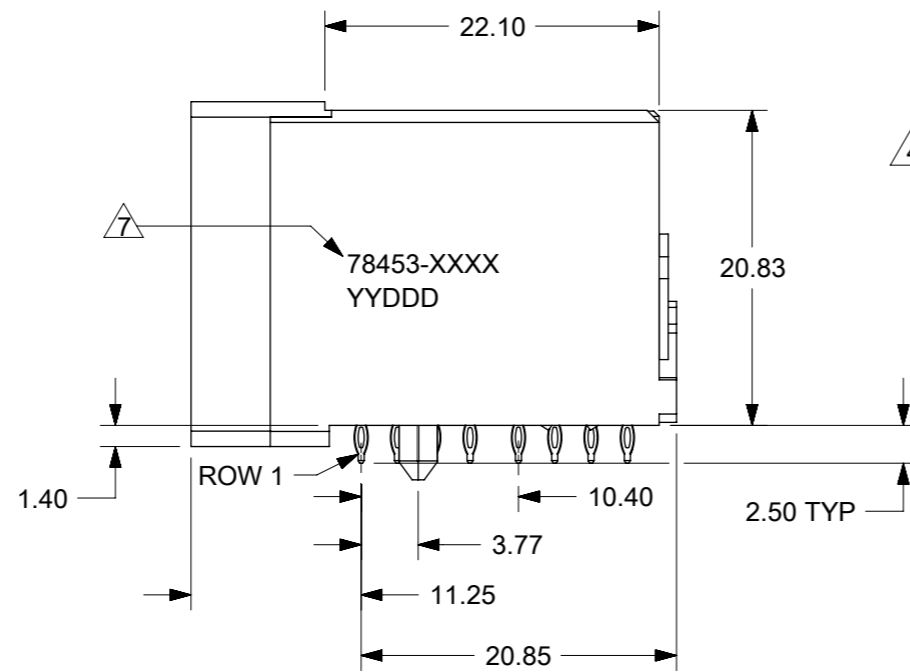
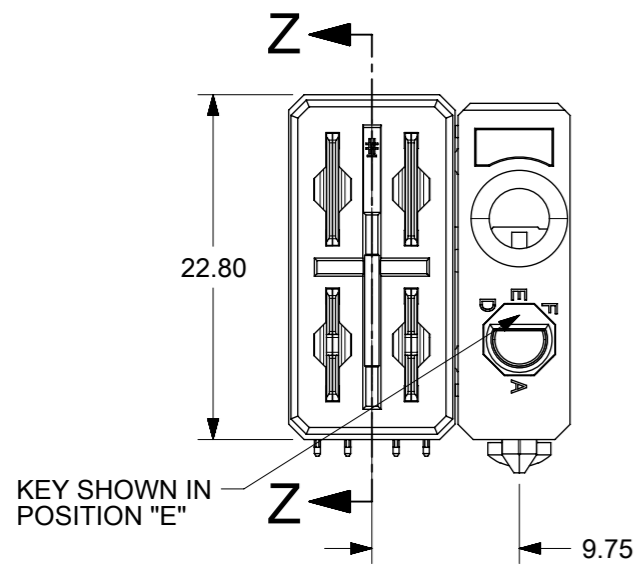
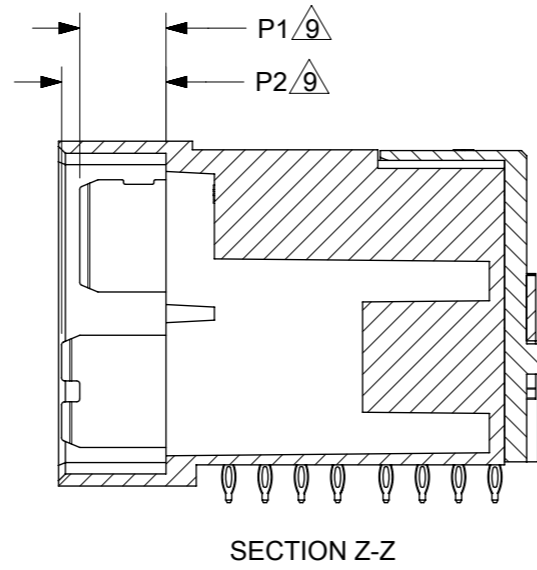
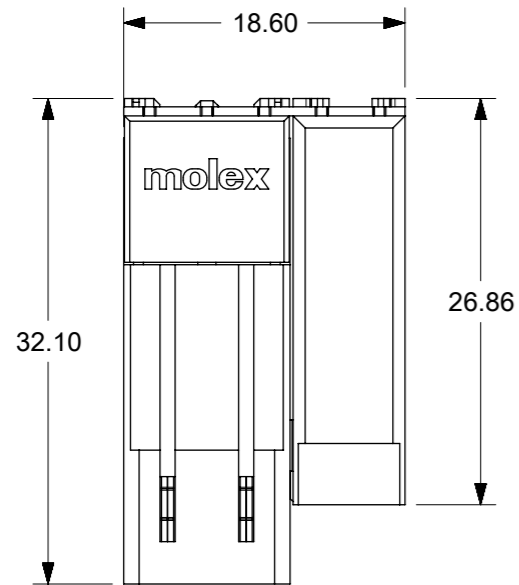
- MATERIALS:  
HOUSING - HIGH TEMP. THERMOPLASTIC, GLASS FILLED, UL94-V0,COLOR:BLACK.  
POWER PIN - COPPER ALLOY.
- FINISH:  
POWER CONTACTS  
0.76µm MINIMUM GOLD AT CONTACT AREA AND  
2.54µm MINIMUM TIN AT SOLDER TAIL AREA  
OVER 1.27µm MINIMUM NICKEL UNDERPLATE.
- PRODUCT SPECIFICATION: PS-78213-001.
- COMPONENT STAY AWAY ZONE FROM CONNECTOR.
- REFER TO MOLEX PRODUCT SPECIFICATION PS-78213-001 FOR PLATED THROUGH-HOLE SPECIFICATIONS.
- MATES WITH 78216-\*\*\*\*.
- PART NUMBER AND YEAR-DAY CODE. CAN BE AT THE OPPOSITE SIDE.
- CONNECTORS ARE PACKED IN A TRAY.
- REFER TO SD-78215-002 FOR DETAILS OF THE POWER MODULE .
- ALL PARTS ARE SHIPPED WITH A 2-32 TYPE AB SELF-TAPPING SCREW PART NUMBER 73726-0000.
- PACKAGING SPECIFICATION:  
PK-78453-001 (1X MODULE WITH GUIDE MODULE)
- FOR THE ESD GROUNDED GUIDE VERSION, USE DIA 2.45±0.10 (PTH), DIA 2.58 (DRILL), AND DIA 4.50 (PAD).
- WHEN USING MOLEX SUPPLIED SCREW 73726-0000, THE MAXIMUM BOARD THICKNESS IS 4.4mm.



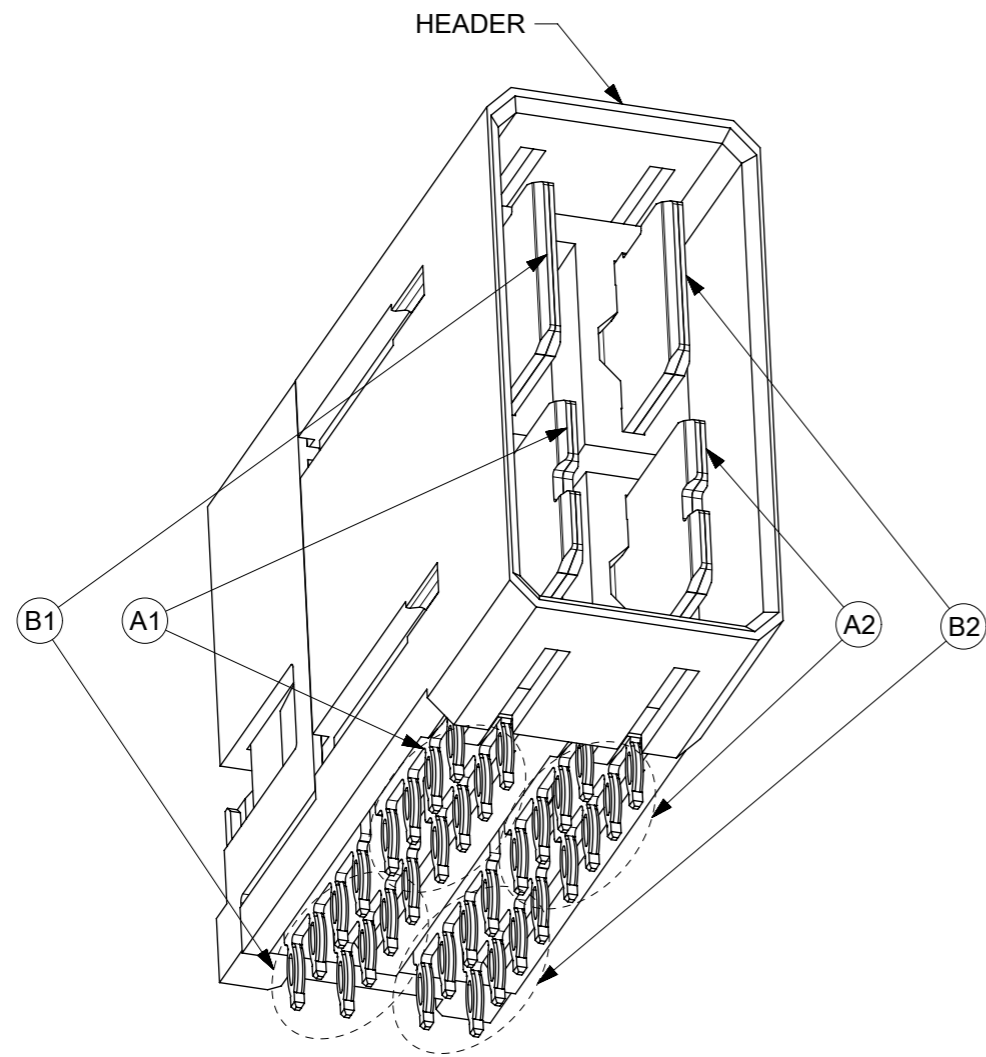
HEADER WITH RIGHT GUIDE (FIG. 1)

THIS DRAWING CONTAINS INFORMATION THAT IS PROPRIETARY TO MOLEX ELECTRONIC TECHNOLOGIES, LLC AND SHOULD NOT BE USED WITHOUT WRITTEN PERMISSION		CURRENT REV DESC: MIGRATED TO NX			
DIMENSION UNITS	SCALE	EC NO: 612055			
MM	NTS	DRWN: CCV 2019/01/18		W/GUIDE MODULE R P/F ASSEMBLY SALES	
GENERAL TOLERANCES (UNLESS SPECIFIED)		CHK'D: ABN 2019/02/14		DRAWING	
ANGULAR TOL	± 3.0 °	APPR: CWANG25 2019/03/05		PRODUCT CUSTOMER DRAWING	
4 PLACES	±	INITIAL REVISION:		DOCUMENT NUMBER	
3 PLACES	±	DRWN: CTCHO 2012/03/02		SD-78453-001	
2 PLACES	± 0.25	APPR: SHONG 2012/03/22		DOC TYPE	DOC PART
1 PLACE	±	THIRD ANGLE PROJECTION		PSD	001
0 PLACES	±	DRAWING	SERIES	REVISION	A3
DRAFT WHERE APPLICABLE MUST REMAIN WITHIN DIMENSIONS		A3-SIZE	78453	MATERIAL NUMBER	SHEET NUMBER
		SEE TABLE	GENERAL MARKET		1 OF 3

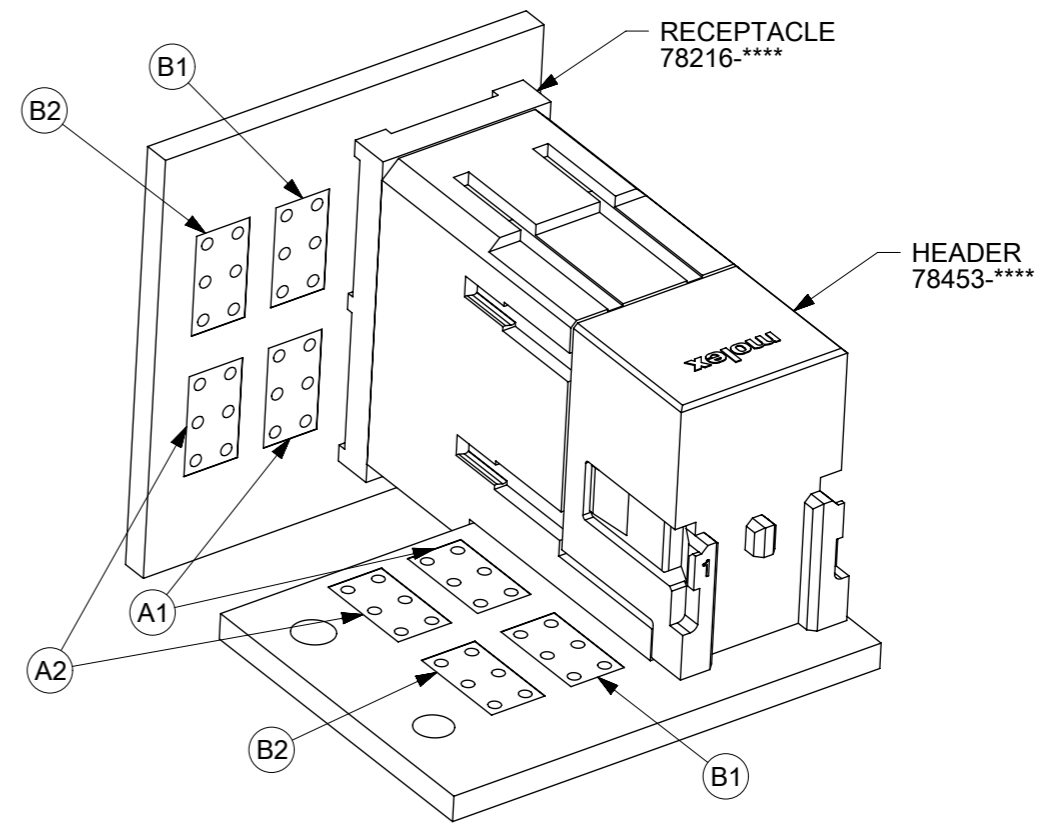
POWER MODULE WITH RIGHT GUIDE MODULE



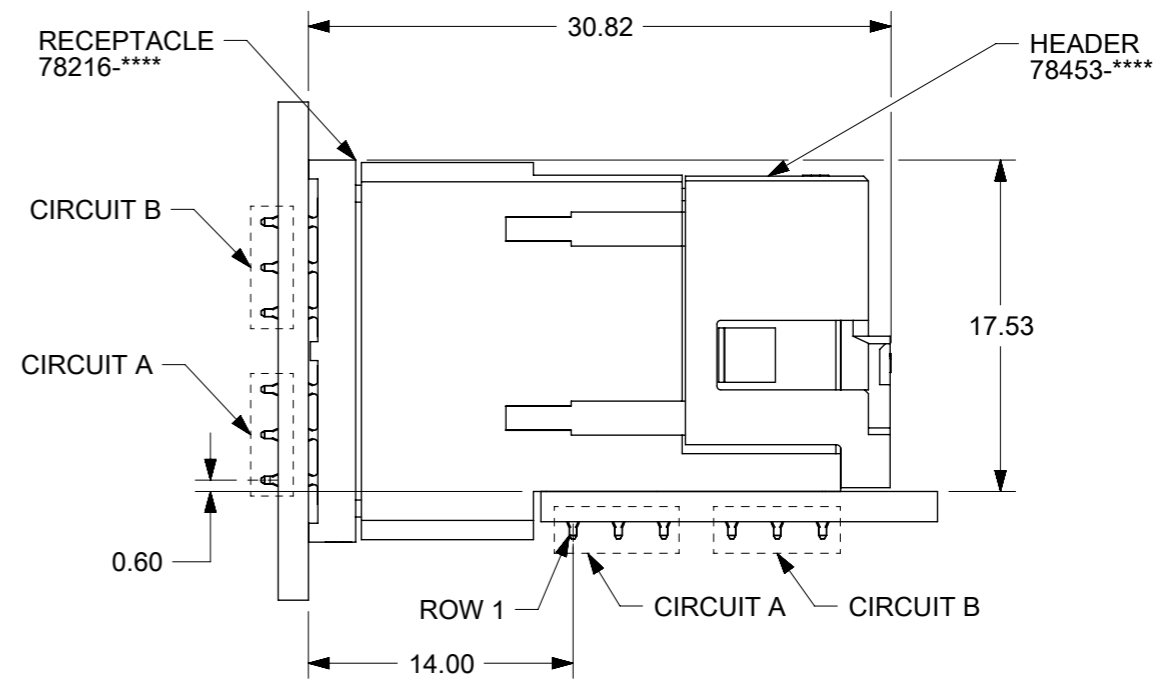
THIS DRAWING CONTAINS INFORMATION THAT IS PROPRIETARY TO MOLEX ELECTRONIC TECHNOLOGIES, LLC AND SHOULD NOT BE USED WITHOUT WRITTEN PERMISSION											
DIMENSION UNITS		SCALE		CURRENT REV DESC: MIGRATED TO NX							
MM		NTS		<p>IMPACT POWER 5P HDR W/GUIDE MODULE R/P/F ASSEMBLY SALES DRAWING</p> <p>PRODUCT CUSTOMER DRAWING</p>							
GENERAL TOLERANCES (UNLESS SPECIFIED)											
ANGULAR TOL ± 3.0°											
4 PLACES ±											
3 PLACES ±											
2 PLACES ± 0.25											
1 PLACE ±				EC NO: 612055		2019/01/18		<p>DOCUMENT NUMBER</p> <p><b>SD-78453-001</b></p> <p>DOC TYPE DOC PART REVISION</p> <p>PSD 001 <b>A3</b></p>			
0 PLACES ±				DRWN: CTCHO		2012/03/02					
DRAFT WHERE APPLICABLE MUST REMAIN WITHIN DIMENSIONS				APPR: SHONG		2012/03/22					
THIRD ANGLE PROJECTION		DRAWING		SERIES		MATERIAL NUMBER				CUSTOMER	
		A3-SIZE		78453		SEE TABLE				GENERAL MARKET	
SHEET NUMBER		2 OF 3		DATE: 2018/01/18		REVISION: 31				FORMAT: master-ib-prod-A3	



PIN NUMBER ASSIGNMENT BASED ON HEADER SIDE:  
 A1, B1 ON THE LEFT,  
 A2, B2 ON THE RIGHT.



RIGHT HOLD DOWN:  
 1 POWER MODULE AND HOLD DOWN REMOVED TO  
 ILLUSTRATE CIRCUIT PATH OF MATED SYSTEM



MATED SYSTEM FOR 78349 & 78214

THIS DRAWING CONTAINS INFORMATION THAT IS PROPRIETARY TO MOLEX ELECTRONIC TECHNOLOGIES, LLC AND SHOULD NOT BE USED WITHOUT WRITTEN PERMISSION		CURRENT REV DESC: MIGRATED TO NX			
DIMENSION UNITS	SCALE				
MM	NTS			IMPACT POWER 5P HDR W/GUIDE MODULE R/P/F ASSEMBLY SALES DRAWING	
GENERAL TOLERANCES (UNLESS SPECIFIED)				PRODUCT CUSTOMER DRAWING	
ANGULAR TOL	± 3.0 °	EC NO:	612055	DOCUMENT NUMBER	
4 PLACES	±	DRWN:	CCV	2019/01/18	DOC TYPE
3 PLACES	±	CHK'D:	ABN	2019/02/14	DOC PART
2 PLACES	± 0.25	APPR:	CWANG25	2019/03/05	REVISION
1 PLACE	±	INITIAL REVISION:		SD-78453-001	
0 PLACES	±	DRWN:	CTCHO	2012/03/02	PSD
DRAFT WHERE APPLICABLE MUST REMAIN WITHIN DIMENSIONS		THIRD ANGLE PROJECTION	DRAWING	SERIES	MATERIAL NUMBER
			A3-SIZE	78453	SEE TABLE
		CUSTOMER	GENERAL MARKET		3 OF 3