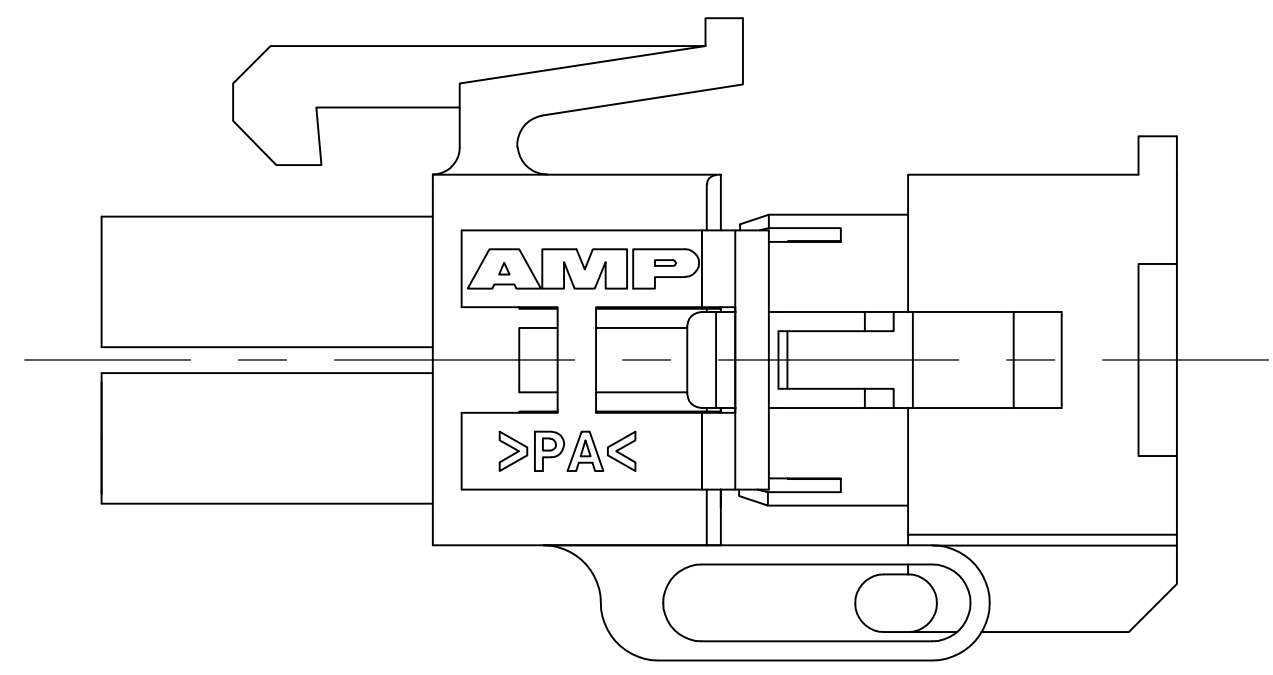
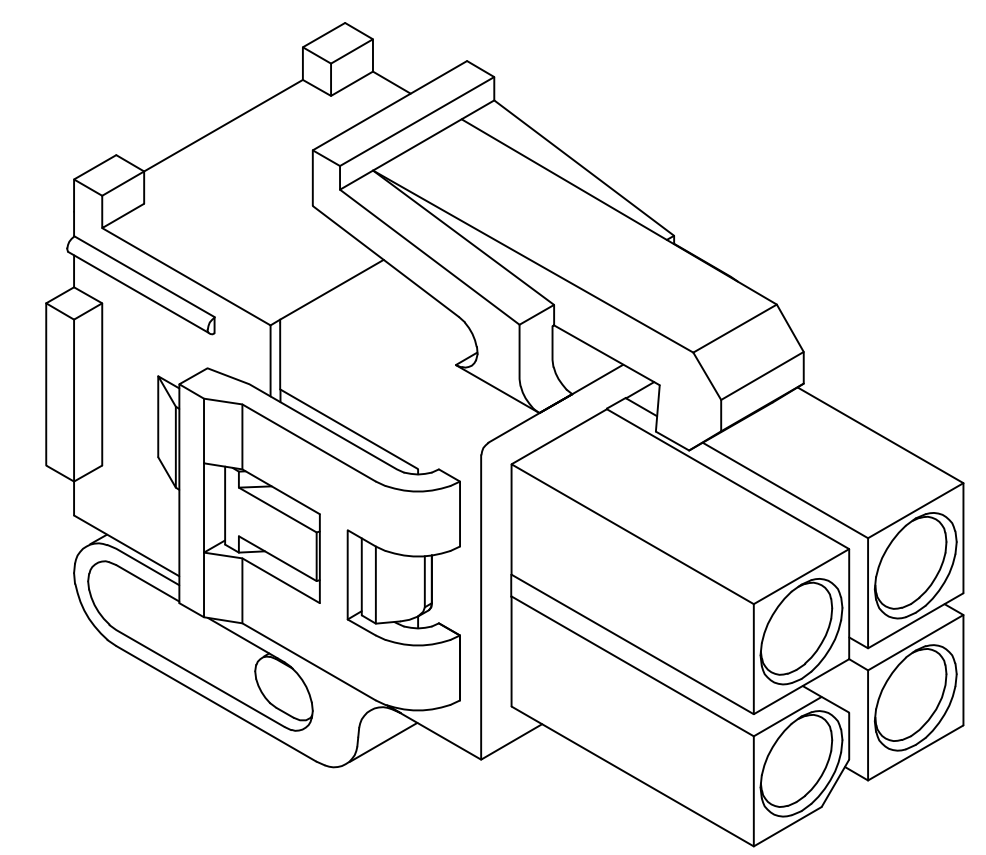
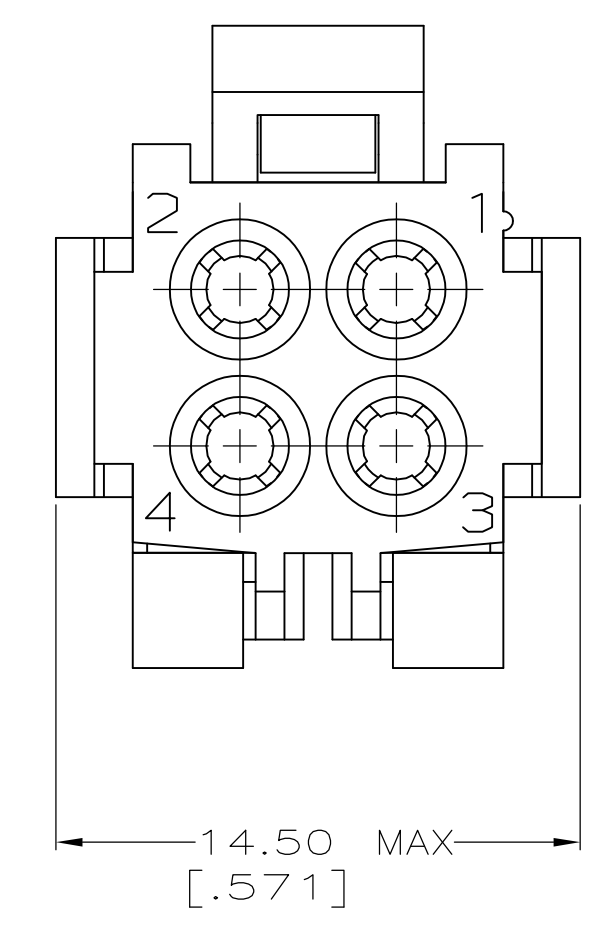
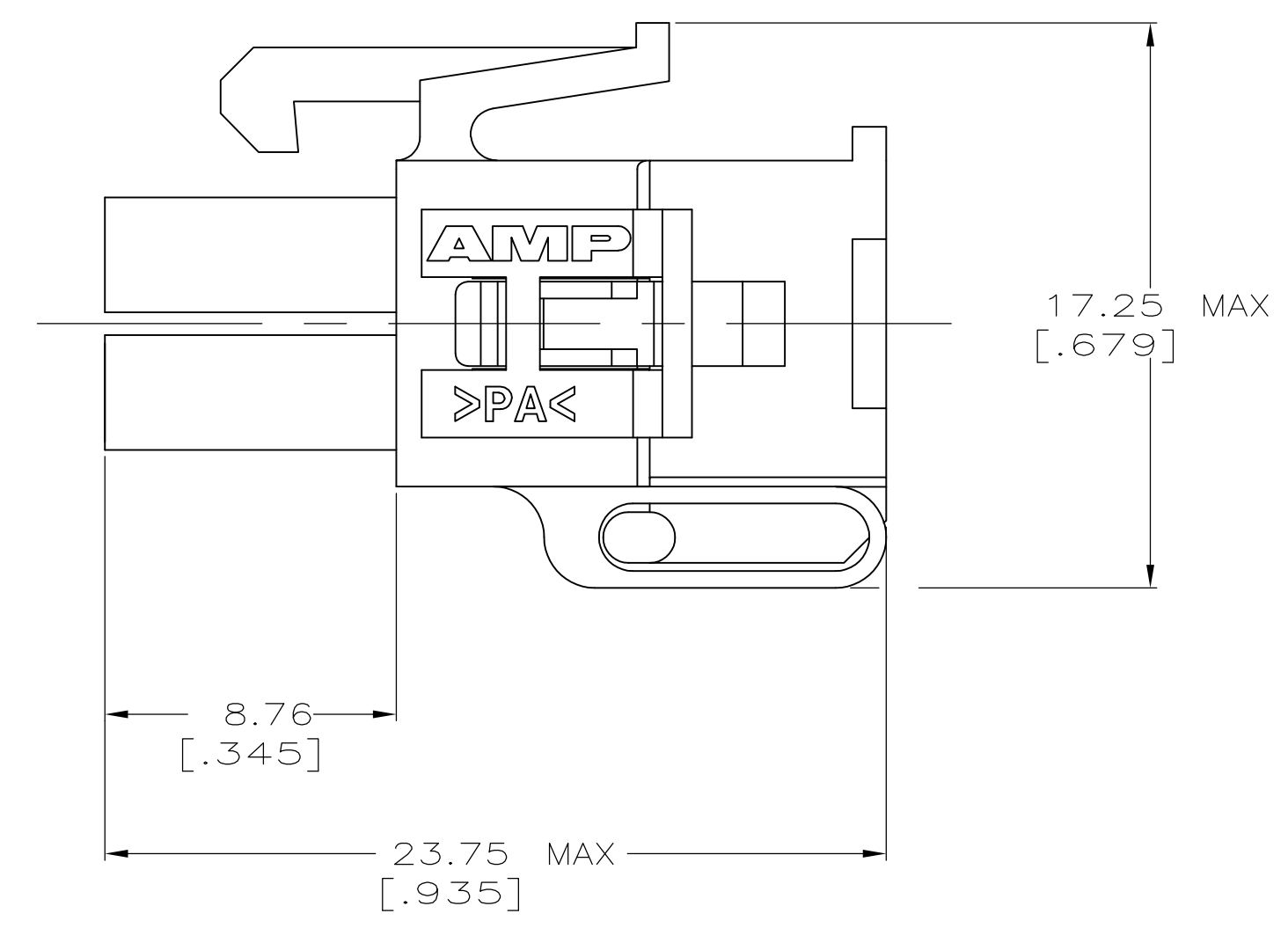
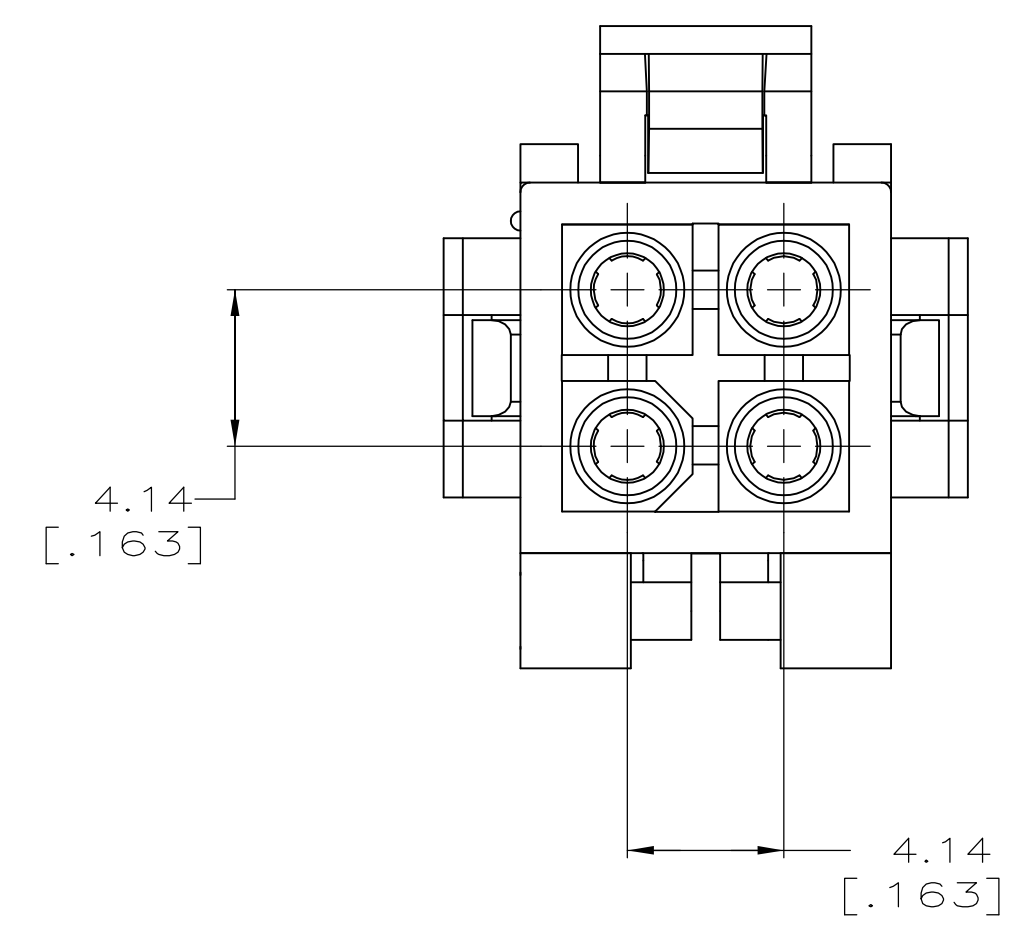


LOC		DIST		REVISIONS			
P	LTR	DESCRIPTION	DATE	DWN	APVD		
C		REVISED PER ECO-10-005348	12MAR10	HMR	MS		



PRE-STAGED CONDITION

- 1 DIMENSIONS IN BRACKETS ARE IN INCHES.
- 2 THIS PRODUCT IS MOISTURIZED WHEN PACKAGED. DO NOT OPEN PACKAGING UNTIL TIME OF USE AND ALWAYS RESEAL UNUSED PORTION IMMEDIATELY AFTER USE.



3-DIMENSIONAL MODEL  
NTS

794188-1  
PART NUMBER

METRIC

THIS DRAWING IS A CONTROLLED DOCUMENT.		DWN K. WHITAKER 5-12-97	Tyco Electronics Corporation Harrisburg, PA 17105-3608
DIMENSIONS: mm		CHK R. SWING 5-12-97	
TOLERANCES UNLESS OTHERWISE SPECIFIED:		APP'D R. ORSTAD 5-12-97	NAME PLUG, 4 CIRCUIT, MINI UNIVERSAL MATE-N-LOK™ 2
0. PLC ± -	1. PLC ± -	PRODUCT SPEC	APPLICATION SPEC
2. PLC ± 0.13[.005]	3. PLC ± -	SIZE A1	SCALE 5:1
4. PLC ± -	ANGLES ± 0.30°	WEIGHT	SHEET 1 of 1
MATERIAL NYLON UL 94V-0, NATURAL	FINISH	CUSTOMER DRAWING	REV C