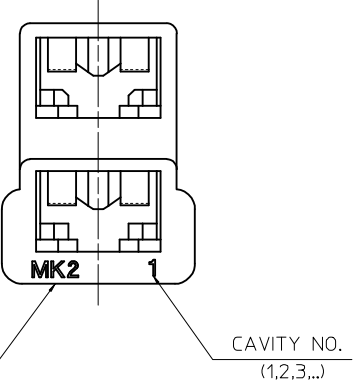
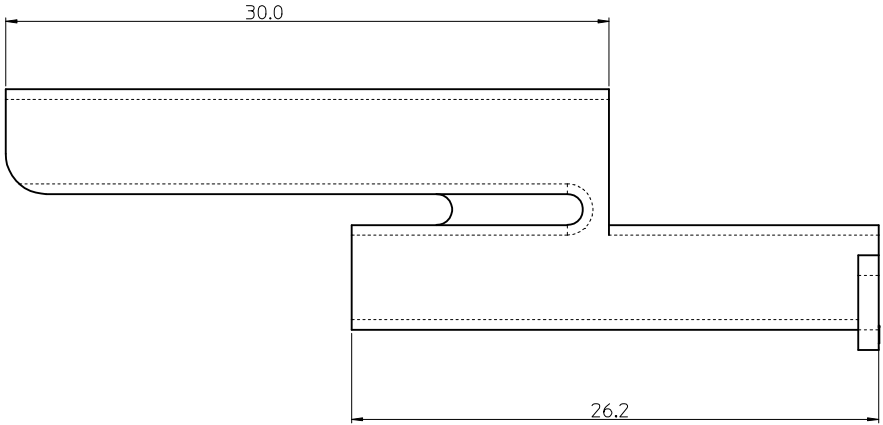
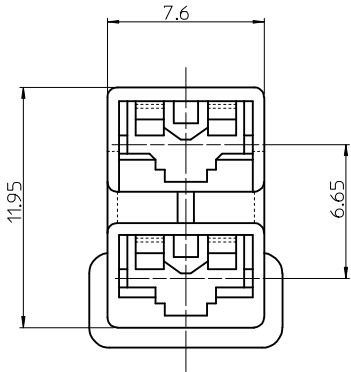
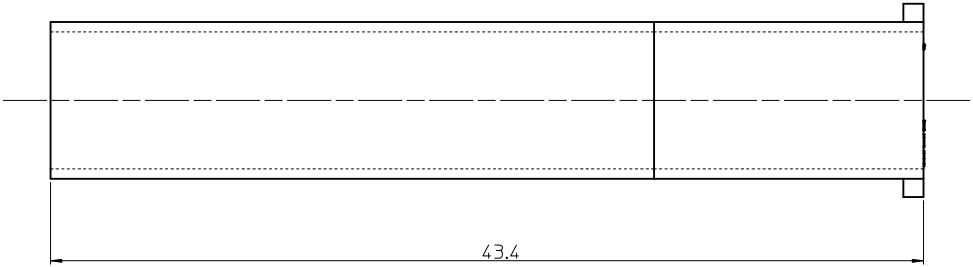
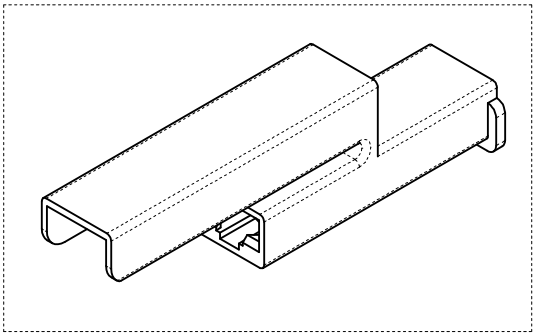


10 9 8 7 6 5 4 3 2 1



NOTES.
 ① 1. MATERIAL : POLYAMIDE66, NO GLASS FILLED, UL94V-2
 COLOR: NATURAL
 2. APPLICABLE TERMINAL: 35068-9**2

REVISED EC NO: KOR2015-0096 DRWNSCHONG03 2014/06/09 CHKD:SHCHU 2014/06/09 APPR:	DESCRIPTION REV	QUALITY SYMBOLS	GENERAL TOLERANCES (UNLESS SPECIFIED)		DIMENSION STYLE MM ONLY		SCALE 4:1	DESIGN UNITS METRIC	THIRD ANGLE PROJECTION																			
		▼=0 ▽=0	<table border="1"> <thead> <tr> <th></th> <th>mm</th> <th>INCH</th> </tr> </thead> <tbody> <tr> <td>4 PLACES</td> <td>± ---</td> <td>± ---</td> </tr> <tr> <td>3 PLACES</td> <td>± ---</td> <td>± ---</td> </tr> <tr> <td>2 PLACES</td> <td>± ---</td> <td>± ---</td> </tr> <tr> <td>1 PLACE</td> <td>± 0.3</td> <td>± ---</td> </tr> <tr> <td>0 PLACE</td> <td>± ---</td> <td>± ---</td> </tr> </tbody> </table>		mm	INCH	4 PLACES	± ---	± ---	3 PLACES	± ---	± ---	2 PLACES	± ---	± ---	1 PLACE	± 0.3	± ---	0 PLACE	± ---	± ---	DRAWN BY: SCHONG03 DATE: 2014/06/09 CHECKED BY: SHCHU DATE: 2014/06/09 APPROVED BY: DATE:		TITLE		.187 MP-LOCK HOUSING -2P (FOR MICRO SWITCH)		
			mm	INCH																								
		4 PLACES	± ---	± ---																								
3 PLACES	± ---	± ---																										
2 PLACES	± ---	± ---																										
1 PLACE	± 0.3	± ---																										
0 PLACE	± ---	± ---																										
ANGULAR ± 1 ° DRAFT WHERE APPLICABLE MUST REMAIN WITHIN DIMENSIONS		MATERIAL NO. 351890260		DOCUMENT NO. SD-35189-0260		SHEET NO. 1 OF 1																						
B1		SIZE A3		THIS DRAWING CONTAINS INFORMATION THAT IS PROPRIETARY TO MOLEX INCORPORATED AND SHOULD NOT BE USED WITHOUT WRITTEN PERMISSION																								

9 8 7 6 5 4 3 2 1