

PART NAME: BALL KNOB

SCALE: 1:1

DATE: 5/25/93

DR. BY: HD

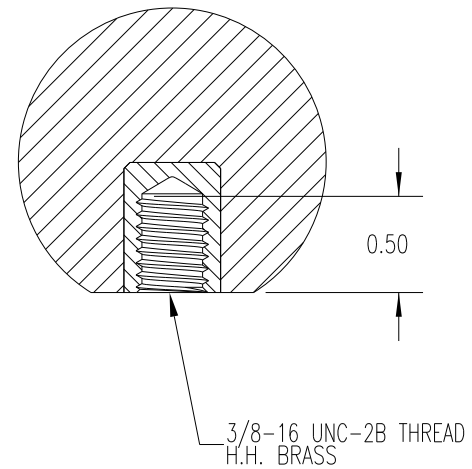
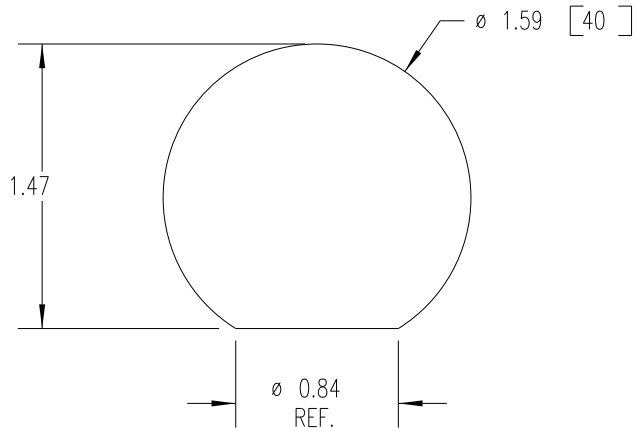


DESIGNERS & MANUFACTURERS
OF KNOBS, HANDLES, CAPSULES &
CUSTOM PLASTIC COMPONENTS

P/N

0150

THIS DRAWING IS THE PROPERTY OF DAVIES MOLDING COMPANY, IS SUBMITTED SOLELY AS A DESIGN OR ENGINEERING PROJECT.
WE ACCEPT NO RESPONSIBILITY WHATSOEVER FOR THE PRACTICAL APPLICATION OF THE PIECES MADE TO THIS DESIGN.



MATERIAL: G.P. PHENOLIC (B11)
COLOR: BLACK

TOLERANCES: UNLESS OTHERWISE SPECIFIED	DO NOT SCALE DRAWING			
DECIMALS: X.XXX ± .005 X.XX ± .015	MM: X.XX ± 0.15MM X.X ± 0.4MM	-	REDRAW	JAM 1/14/08
FRACTIONS ± 1/64	ANG. ± 1°	CHANGES		