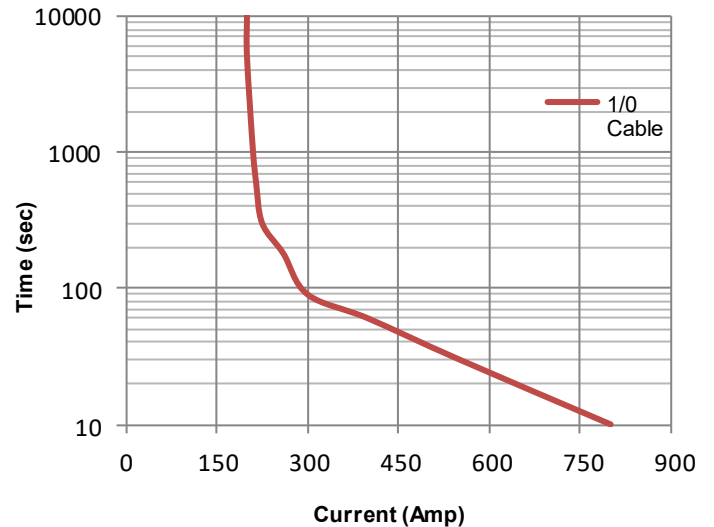


### Key Features

|                                 |   |
|---------------------------------|---|
| <b>EPIC® Seal</b>               | Ceramic to metal braze. Gas filled hermetic chamber protects key components. Exceeds IP69K standard |
| <b>Temperature</b>              | Tested to temperatures up to 200°C  |
| <b>Contacts / Form</b>          | Silver / SPST / NO  |
| <b>Coil</b>                     | Optional efficient two coil design with no PWM or EMI emissions. Coil suppression built in          |
| <b>High Shock and Vibration</b> | For rugged environments, off-road and tracked vehicles  |
| <b>Installation</b>             | Not direction sensitive   |
| <b>Reference</b>                | MIL-R-6106, RoHS  |

**Current Carry vs Time**  
with 85°C terminal temperature rise



**Power Terminals**  
Stainless M8 X 1.25 Stud  
Stainless M8 X 1.25 Flanged Nut

**Mounting Hardware**  
M5 [No. 10] Bolts (not incl.)

Torque 9-10 Nm [80-90 in-lb]

Torque 2-4 Nm [18-35 in-lb]

**Case Material**  
25% GF Nylon 6/6, UL 94 V-0

| Technical Specification     |  |
|-----------------------------|--|
| Continuous Current          | 200A w/ 1/0 cable (see graph on reverse) |
| Max Current—1 sec           | 1200A                                    |
| Max Current—10 sec          | 750A                                     |
| Max Current—90 sec          | 250A                                     |
| Contact Voltage Drop (max)  | 150mV at 200A                            |
| Insulation Resistance (min) | 100MΩ (50MΩ after life)                  |
| Dielectric Withstanding     | 1500VRMS (1050 VRMS after life)          |
| Weight                      | 1.0 lb with hardware (460 grams)         |

| Resistive Load Switching |                |
|--------------------------|----------------|
| 200A at 24 VDC           | 100,000 cycles |
| Mechanical Life          | 300,000 cycles |
| Fault Interrupt @ 28VDC  | 1500A          |

| Environmental Specifications                         |   |
|--|---|
| Seal   | Hermetic, 10 E-9 atm cc/sec                     |
| Temperature Range                                    | -55°C to +100°C                                 |
| Shock  | Sawtooth @ 20G, 11ms, ½ Sine @ 25G, 11ms        |
| Vibration  | 10-2000 Hz, 20G                                 |
| Water / Steam  | 2750 psi waterjet, 105 psi steam, boiling water |
| Salt Spray Corrosion                                 | MIL-STD-810G                                    |
| Resistant to corrosion, chemicals, and fungal growth |   |

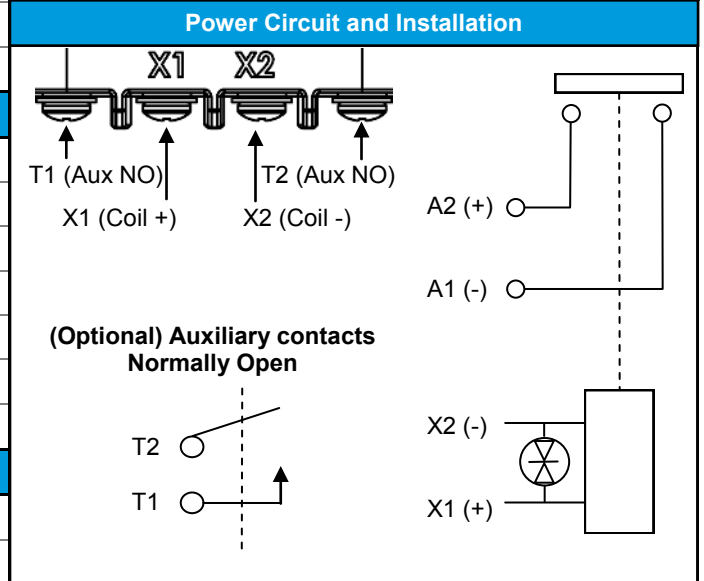
| Auxiliary contacts (optional) - Form A, SPST Normally Open |             |
|--|-------------|
| Switching Current (max)                                    | 1A at 28VDC |
| Switching Current (min)                                    | 0.1mA at 5V |

**MX52 D**

**Coil Voltage:**  
*See table*

**Auxiliary Contacts:**  
*Blank = none*  
*B = SPST, Normally Open*

**Coil Connection:**  
*D = M4 Screws*



**Coil Ratings at 25°C**  
\* S and T coil are dual coil design, all others are standard coils

| Coil P/N Designation            | B        | C       | F       | H       | J       | K                | L                | S*      | T*      |
|---------------------------------|----------|---------|---------|---------|---------|------------------|------------------|---------|---------|
| Coil Voltage, Nominal           | 12 VDC   | 24 VDC  | 48 VDC  | 72 VDC  | 120 VDC | 120 VAC, 50/60Hz | 240 VAC, 50/60Hz | 12 VDC  | 24 VDC  |
| Coil Voltage, Max               | 16 VDC   | 32 VDC  | 64 VDC  | 96 VDC  | 140 VDC | 140 VAC          | 280 VAC          | 16 VDC  | 32 VDC  |
| Pick-Up Voltage, Max            | 8 VDC    | 16 VDC  | 28 VDC  | 46 VDC  | 72 VDC  | 80 VAC           | 160 VAC          | 9 VDC   | 15 VDC  |
| Drop-Out Voltage, Max           | 3 VDC    | 7 VDC   | 10 VDC  | 14 VDC  | 18 VDC  | 30 VAC           | 60 VAC           | 4.5 VDC | 7 VDC   |
| Drop-Out Voltage, Min           | 0.5 VDC  | 0.5 VDC | 1.8 VDC | 2.7 VDC | 4.5 VDC | 4.5 VAC          | 9 VAC            | 1 VDC   | 1.5 VDC |
| Pick-Up Current, Max (75ms)     | N/A      | N/A     | N/A     | N/A     | N/A     | N/A              | N/A              | 1.8 A   | 1 A     |
| Coil Current                    | 0.68 A   | 0.28 A  | 0.16 A  | 0.095 A | 0.06 A  | 0.06 A           | 0.04 A           | 0.082 A | 0.057 A |
| Coil Power                      | 8 W      | 6.8 W   | 7.6 W   | 6.8 W   | 7.2 W   | 7.2 W            | 9.6 W            | 1 W     | 1.4 W   |
| Operate Time, Max (incl.bounce) | 20 msec  | 20 msec | 30 msec | 30 msec | 20 msec | 30 msec          | 30 msec          | 20 msec | 20 msec |
| Release Time, Max               | 12 msec  | 12 msec | 12 msec | 12 msec | 12 msec | 50 msec          | 55 msec          | 12 msec | 12 msec |
| Internal Coil Suppression       | Transorb |         |         |         |         |                  |                  |         |         |
| Coil Back EMF                   | 55 V     | 55 V    | 80 V    | 115 V   | 175 V   | N/A              | N/A              | 55 V    | 55 V    |
| Transients, Max (13ms)          | N/A      | N/A     | N/A     | N/A     | N/A     | N/A              | N/A              | ±50 V   | ±50 V   |
| Reverse Polarity                | N/A      | N/A     | N/A     | N/A     | N/A     | N/A              | N/A              | 16 V    | 32 V    |

| Options and Accessories |  |
|-------------------------|--|
|                         |  |
|                         |  |

**GIGAVAC®**

See [Terms of Use](#) for additional information

[www.gigavac.com](http://www.gigavac.com)    [info@gigavac.com](mailto:info@gigavac.com)    +805-684-8401

Rev 6    27/Jan/22    © 2013 GIGAVAC, LLC    Page 2 of 2    **MX52**

---

Datasheets provided by Sensata Technologies, Inc., its subsidiaries and/or affiliates (“Sensata”) are solely intended to assist third parties (“Buyers”) who are developing systems that incorporate Sensata products (also referred to herein as “components”). Buyer understands and agrees that Buyer remains responsible for using its independent analysis, valuation, and judgment in designing Buyer’s systems and products. Sensata datasheets have been created using standard laboratory conditions and engineering practices. Sensata has not conducted any testing other than that specifically described in the published documentation for a particular datasheet. Sensata may make corrections, enhancements, improvements, and other changes to its datasheets or components without notice.

Buyers are authorized to use Sensata datasheets with the Sensata component(s) identified in each particular datasheet. HOWEVER, NO OTHER LICENSE, EXPRESS OR IMPLIED, BY ESTOPPEL OTHERWISE TO ANY OTHER SENSATA INTELLECTUAL PROPERTY RIGHT, AND NO LICENSE TO ANY THIRD PARTY TECHNOLOGY OR INTELLECTUAL PROPERTY RIGHT, IS GRANTED HEREIN. SENSATA DATASHEETS ARE PROVIDED “AS IS”. SENSATA MAKES NO WARRANTIES OR REPRESENTATIONS WITH REGARD TO THE DATASHEETS OR USE OF THE DATASHEETS, EXPRESS, IMPLIED, OR STATUTORY, INCLUDING ACCURACY OR COMPLETENESS. SENSATA DISCLAIMS ANY WARRANTY OF TITLE AND ANY IMPLIED WARRANTIES OF MERCHANTABILITY, FITNESS FOR A PARTICULAR PURPOSE, QUIET ENJOYMENT, QUIET POSSESSION, AND NON-INFRINGEMENT OF ANY THIRD PARTY INTELLECTUAL PROPERTY RIGHTS WITH REGARD TO SENSATA DATASHEETS OR USE THEREOF.

All products are sold subject to Sensata’s terms and conditions of sale supplied at [www.sensata.com](http://www.sensata.com). SENSATA ASSUMES NO LIABILITY FOR APPLICATIONS ASSISTANCE OR THE DESIGN OF BUYERS’ PRODUCTS. BUYER ACKNOWLEDGES AND AGREES THAT IT IS SOLELY RESPONSIBLE FOR COMPLIANCE WITH ALL LEGAL, REGULATORY, AND SAFETY-ELATED REQUIREMENTS CONCERNING ITS PRODUCTS, AND ANY USE OF SENSATA COMPONENTS IN ITS APPLICATIONS, NOTWITHSTANDING ANY APPLICATIONS-RELATED INFORMATION OR SUPPORT THAT MAY BE PROVIDED BY SENSATA.

Mailing Address: Sensata Technologies, Inc., 529 Pleasant Street, Attleboro, MA 02703, USA

## CONTACT US

### Regional head offices:

#### United States of America

Sensata Technologies

Attleboro, MA

**Phone:** 508-236-3800

**E-mail:** [support@sensata.com](mailto:support@sensata.com)

#### Netherlands

Sensata Technologies Holland B.V.

Hengelo

**Phone:** +31 74 357 8000

**E-mail:** [support@sensata.com](mailto:support@sensata.com)

#### China

Sensata Technologies China Co., Ltd.

Shanghai

**Phone:** +8621 2306 1500

**E-mail:** [support@sensata.com](mailto:support@sensata.com)

Copyright © 2023 Sensata Technologies, Inc.