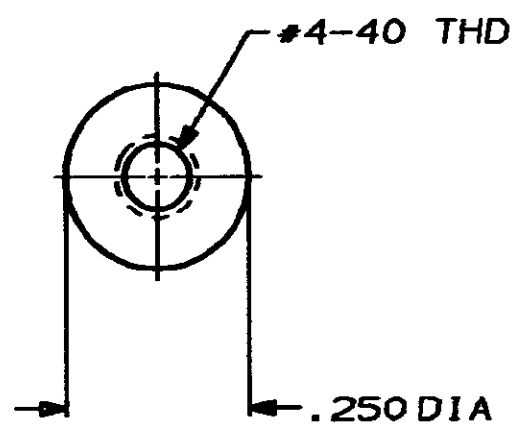
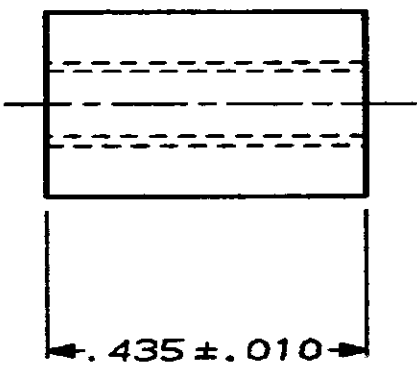


DRAWING MADE IN THIRD ANGLE PROJECTION

THIS DRAWING IS UNPUBLISHED. RELEASED FOR PUBLICATION BY AMP INCORPORATED. ALL INTERNATIONAL RIGHTS RESERVED. © COPYRIGHT 19

MOD	LOC	DIST	REVISIONS					
8	BD	39	P	F	LTR	DESCRIPTION	DATE	APPROVED
			✓	✓	G	REDRAWN ON CAD	4/9/90	-



BULK PACKAGED	2	205933-4
ONE KIT PER BAG	2	205933-3
PACKAGING	QTY	PART NUMBER

DO NOT SCALE PRINT. UNLESS SPECIFIED DIMENSIONS IN TOLERANCES ON:
 2 PLC DEC ± -
 9 PLC DEC ± .005
 ANGLES ± -

DR 4/9/90
 A-STAR DB
 CHK -6-15-90
 -W.G.
 APPD J.E. [Signature] 7-10-90
 NAME

AMP AMP INCORPORATED
 Harrisburg, Pa. 17105

MATERIAL
ALUMINUM

APPD [Signature] 7-16-90
 PRODUCT SPEC

STAND OFF BUSHING, AMPLIMITE

FINISH
 -

APPLICATION SPEC
 -
 WEIGHT -

SIZE	FSCR NO	DRAWING NO
A	00779	205933
SCALE	4:1	SHEET 1 OF 1

AMP 1469-32 REV 3-89

66 28 188 14.14-0 1802

CUSTOMER DRAWING