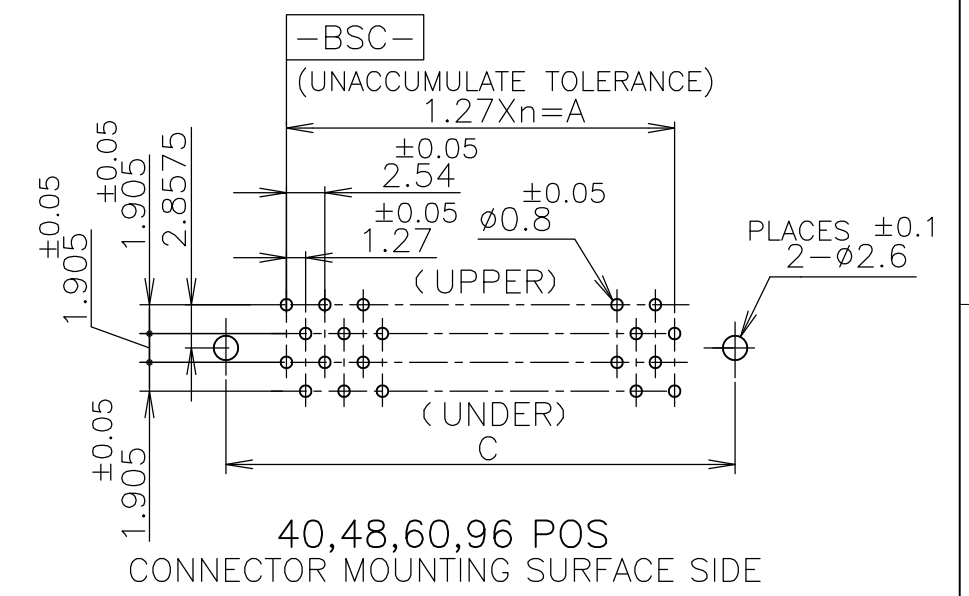
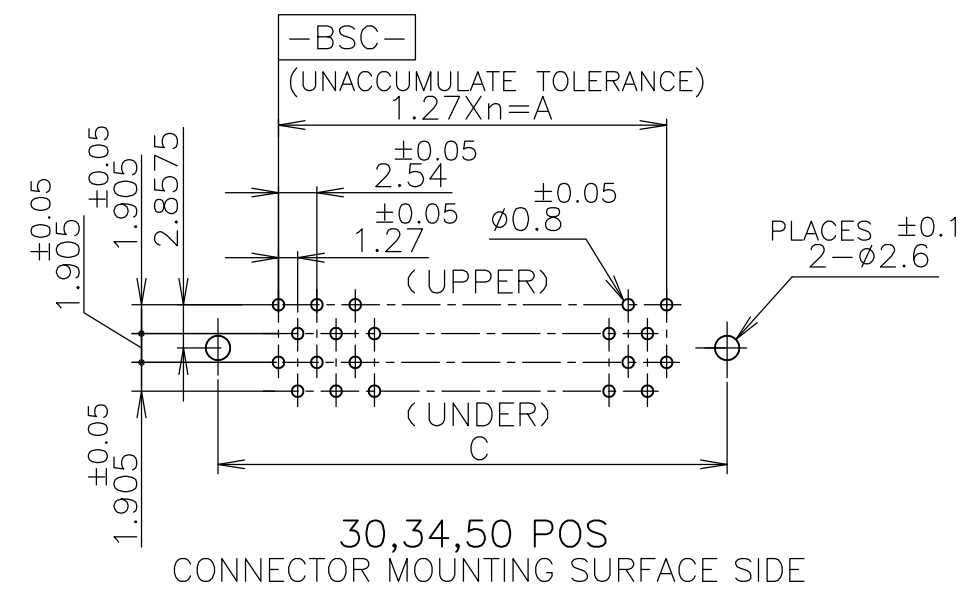
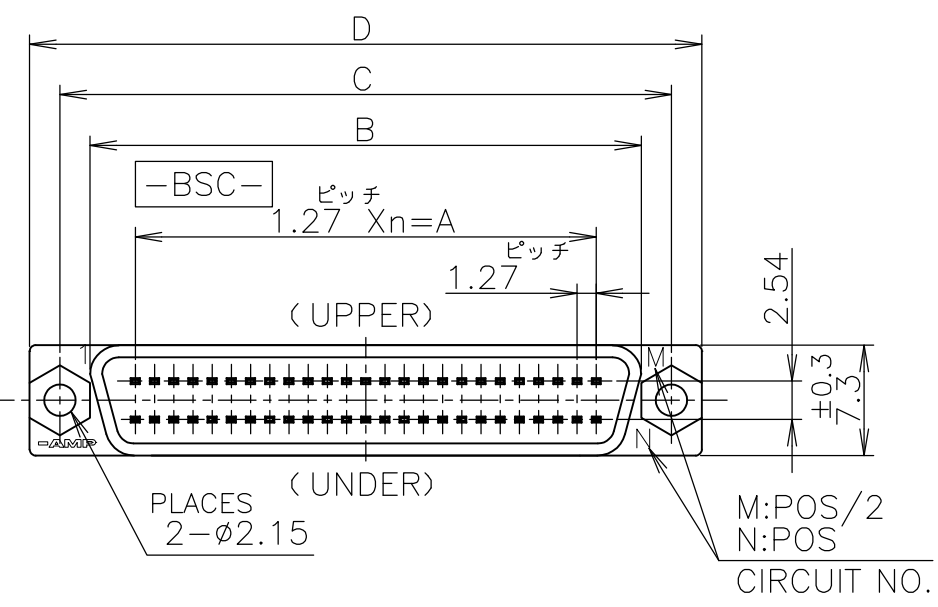
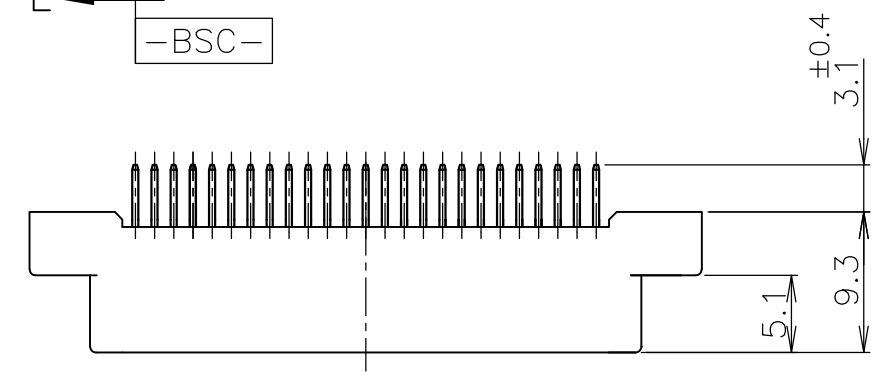
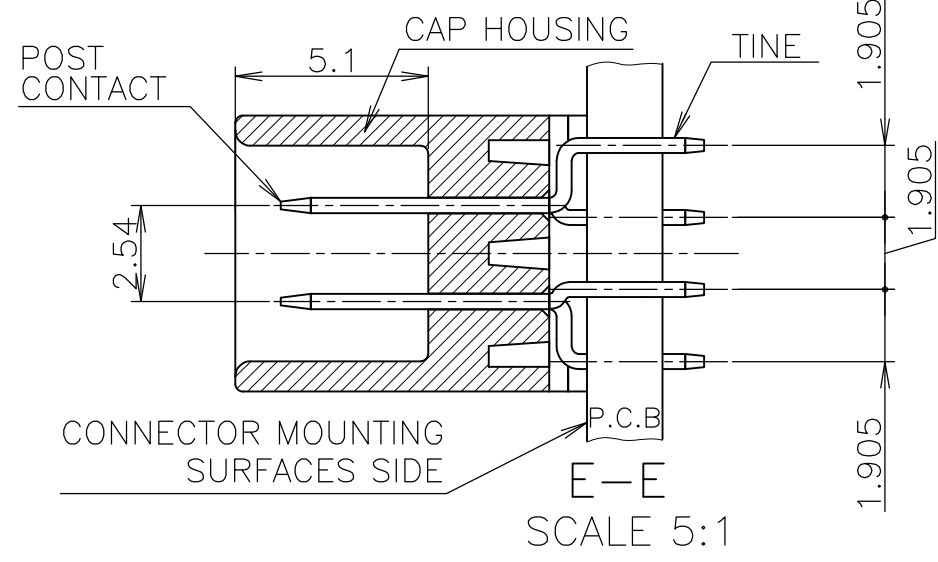
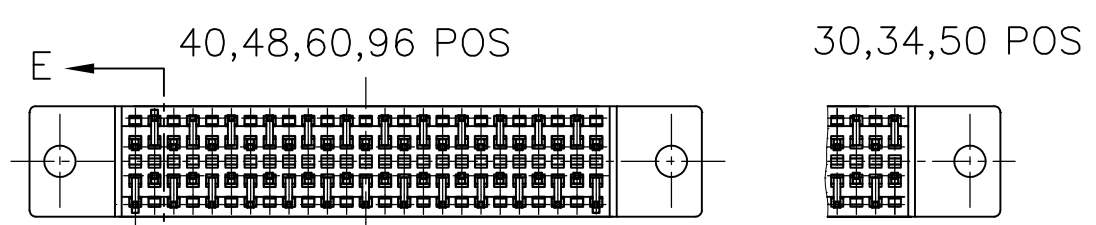


THIS DRAWING IS UNPUBLISHED. RELEASED FOR PUBLICATION OCT., 1984.
 © COPYRIGHT 1984 By - ALL RIGHTS RESERVED.

| REVISIONS 変更 | | | | |
|-----------------|-----|---------------------------|-----------|-------|
| P | LTR | DESCRIPTION | DATE | APVD |
| | B | REVISED PER ECO-17-002585 | 16JUN2017 | AP DG |



- USE A P.C.B. WHOSE SURFACES ARE TREATED WITH SOLDER RESIST.
- SHOW P.C.B LAYOUT FROM THE CONNECTOR-MOUNTING SURFACE SIDE.
- NUMBER THE CONTACTS IN THE P.C.B OR CONNECTOR CONSECUTIVELY FROM THE **-BSC-** SIDE.
- WHEN SCREWING THE CONNECTOR TO THE P.C.B, USE M2 SCREW, NUT AND WASHERS.
- HOUSING MATERIAL : THERMOPLASTICS (UL94-V0). COLOR:BLACK
- CONTACT MATERIAL : COPPER ALLOY
- FINISH : NICKEL 1.27µ MIN THK. OVERALL SELECTIVE GOLD 0.2µ MIN THK ON CONTACT AREA AND TIN 1µ MIN THK ON TINE AREA.
- OBSELETE PARTS: OBSELETE CIS STREAMLINING PER D.RENAUD/D.SINISI

| | | | | | | | |
|----------|-----------|-----|----|-------|-------|-------|-------|
| OBSELETE | -8 | 96 | 47 | 59.69 | 65.66 | 69.66 | 73.66 |
| | -6 | 48 | 23 | 29.21 | 35.18 | 39.18 | 43.18 |
| OBSELETE | -5 | 34 | 16 | 20.32 | 26.29 | 30.29 | 34.29 |
| | -4 | 60 | 29 | 36.83 | 42.80 | 46.80 | 50.80 |
| OBSELETE | -3 | 50 | 24 | 30.48 | 36.45 | 40.45 | 44.45 |
| | -2 | 40 | 19 | 24.13 | 30.10 | 34.10 | 38.10 |
| | 5173280-1 | 30 | 14 | 17.78 | 23.75 | 27.75 | 31.75 |
| | P/N | POS | n | A | B | C | D |

| GENERAL TOLERANCE 一般公差 |
|---------------------------|
| 10 ≥ : ±0.2 |
| 30 ≥ > 10: ±0.25 |
| 100 ≥ > 30: ±0.3 |
| ANGLES: ±3° |

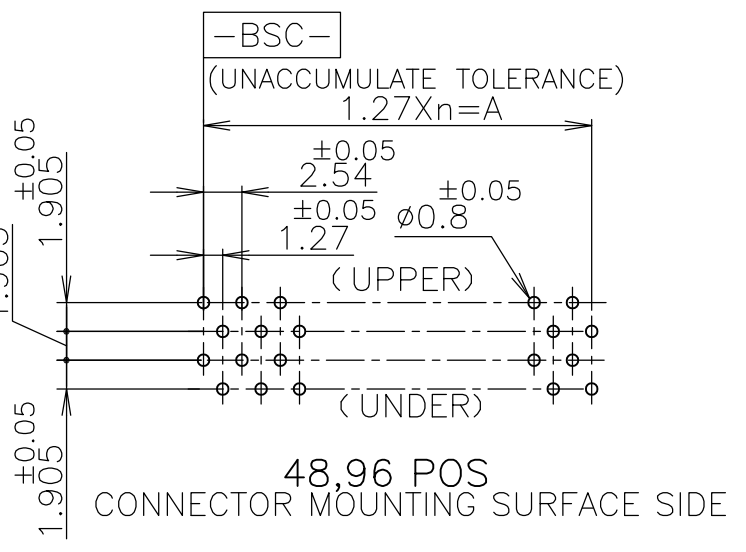
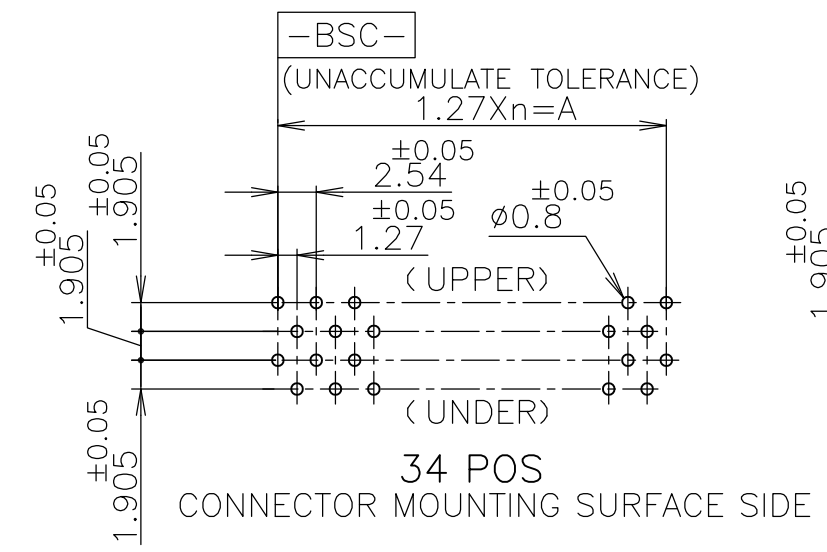
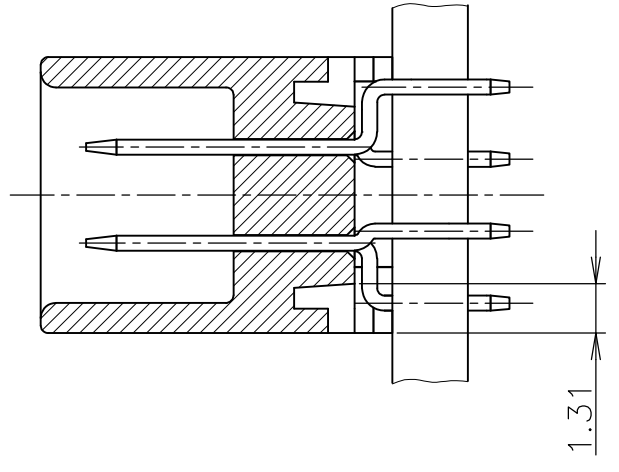
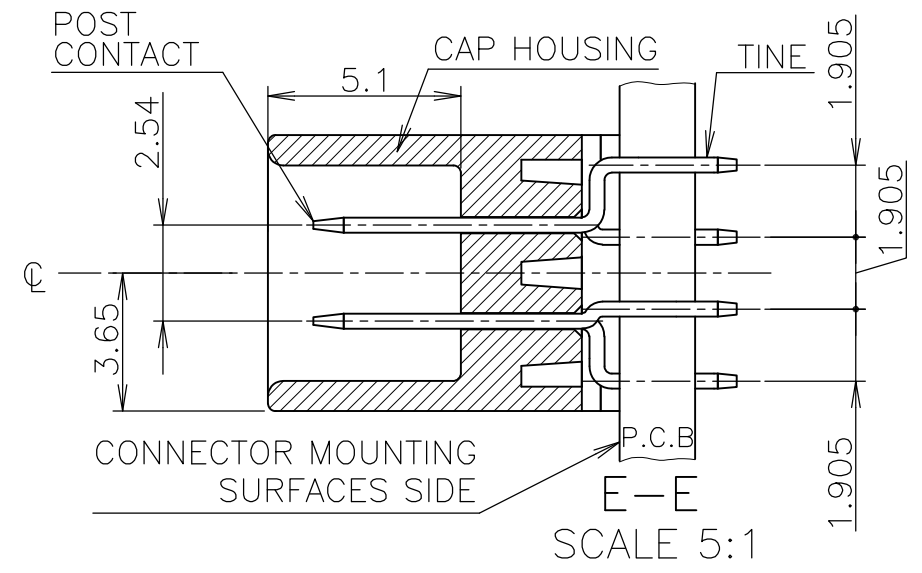
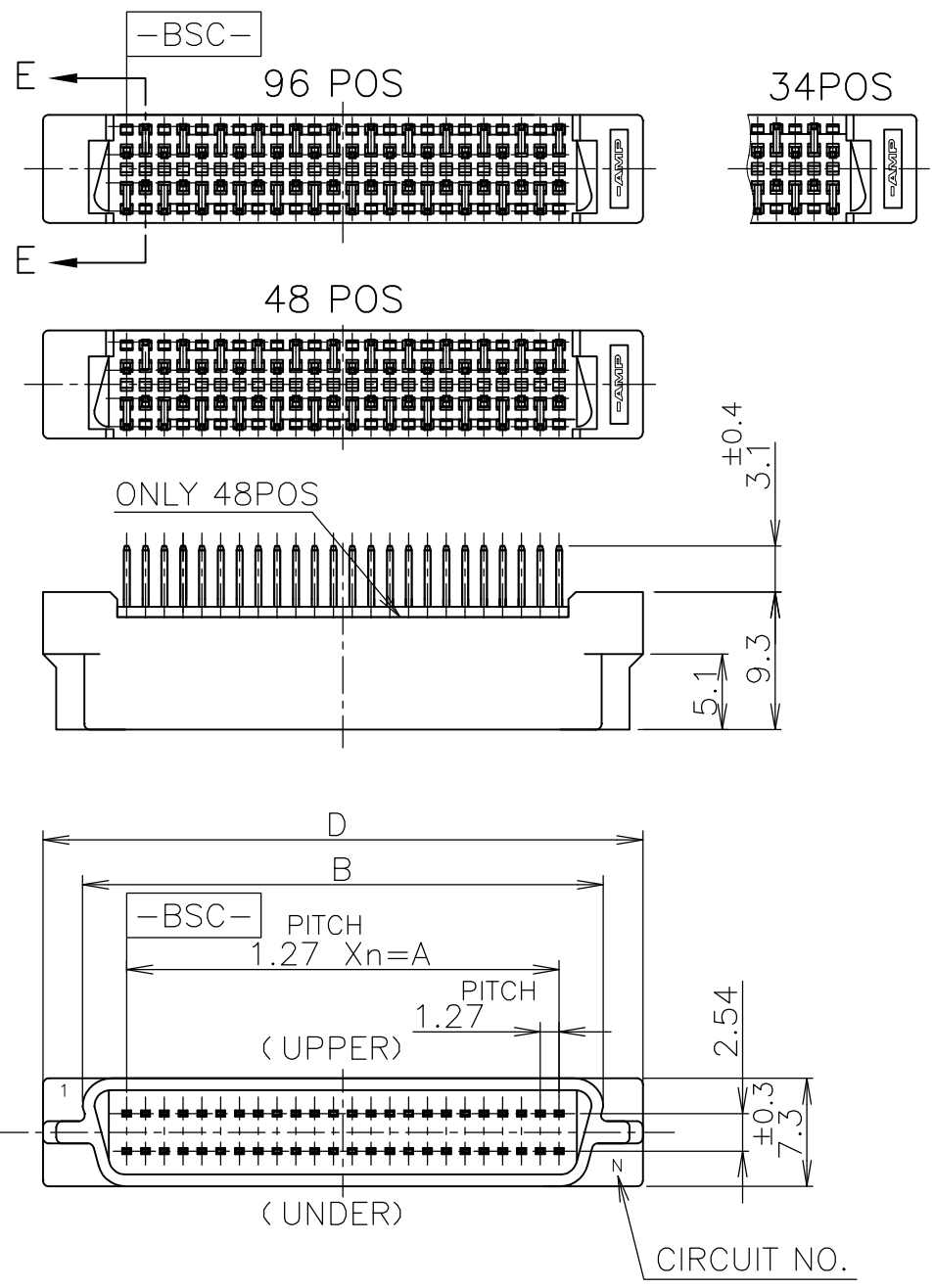
THIS DRAWING IS A CONTROLLED DOCUMENT.

| | |
|----------------------------|---|
| DIMENSIONS: 単位: 耗 MM | TOLERANCES UNLESS OTHERWISE SPECIFIED: 一般公差 |
| | 0 PLC ± - |
| | 1 PLC ± - |
| | 2 PLC ± - |
| | 3 PLC ± - |
| | 4 PLC ± - |
| | ANGLES ± - |
| MATERIAL 材料 | FINISH 仕上 |
| 参照 - 5 6 | 参照 - 7 |

| | | | |
|--|-----------|------------------|-----------------|
| DWN T.KAWAMAE | 01APR05 | | TE Connectivity |
| CHK I.ENOMOTO | 01APR05 | | |
| APVD I.ENOMOTO | 01APR05 | | |
| PRODUCT SPEC 製品規格 | 108-60036 | | |
| APPLICATION SPEC 取付適用規格 | | NAME 名称 | |
| CAP ASSY VERTICAL AMPLIMITE 050 SERIES I B-TO-B CONN. | | SIZE | CAGE CODE |
| CUSTOMER DRAWING | | A3 | 00779 |
| | | DRAWING NO 番号 | RESTRICTED TO |
| | | G-5173280 | - |
| | | SCALE 尺度 | SHEET |
| | | 2:1 | 1 OF 3 |
| | | REV | B |

THIS DRAWING IS UNPUBLISHED. RELEASED FOR PUBLICATION OCT, 1984.
 © COPYRIGHT 1984 By - ALL RIGHTS RESERVED.

| REVISIONS 変更 | | | | | |
|-----------------|-----|-------------|------|-----|------|
| P | LTR | DESCRIPTION | DATE | DWN | APVD |
| - | - | SEE SHEET 1 | - | - | - |



- 1 USE A P.C.B. WHOSE SURFACES ARE TREATED WITH SOLDER RESIST.
- 2 SHOW P.C.B LAYOUT FROM THE CONNECTOR-MOUNTING SURFACE SIDE.
- 3 NUMBER THE CONTACTS IN THE P.C.B OR CONNECTOR CONSECUTIVELY FROM THE [-BSC-] SIDE.

- 4 HOUSING MATERIAL : THERMOPLASTICS (UL94-V0). COLOR:BLACK
- 5 CONTACT MATERIAL : COPPER ALLOY
- 6 FINISH : NICKEL 1.27μ MIN THK. OVERALL SELECTIVE GOLD 0.2μ MIN THK ON CONTACT AREA AND TIN 1μ MIN THK ON TINE AREA.

| GENERAL TOLERANCE 一般公差 | |
|---------------------------|-------|
| 10 ≥ : | ±0.2 |
| 30 ≥ > 10: | ±0.25 |
| 100 ≥ > 30: | ±0.3 |
| ANGLES: ±3° | |

THIS DRAWING IS A CONTROLLED DOCUMENT.

| | |
|----------------------------|---|
| DIMENSIONS: 単位: 耗 MM | TOLERANCES UNLESS OTHERWISE SPECIFIED: 一般公差 |
| | 0 PLC ± - |
| | 1 PLC ± - |
| | 2 PLC ± - |
| | 3 PLC ± - |
| | 4 PLC ± - |
| | ANGLES ± - |
| MATERIAL 材料 | FINISH 仕上 |
| SEE- 4 5 | SEE- 6 |

| | |
|----------------------------|---|
| DWN | - |
| CHK | - |
| APVD | - |
| PRODUCT SPEC 製品規格 | - |
| APPLICATION SPEC 取付適用規格 | - |
| WEIGHT | - |

| | | | | | | |
|-------------|----|----|----|-------|-------|-------|
| 2- | -8 | 96 | 47 | 59.69 | 65.66 | 71.00 |
| 2- | -6 | 48 | 23 | 29.21 | 35.18 | 40.52 |
| 2-5173280-5 | | 34 | 16 | 20.32 | 26.29 | 31.63 |
| P/N | 極数 | n | A | B | D | |

STE TE Connectivity

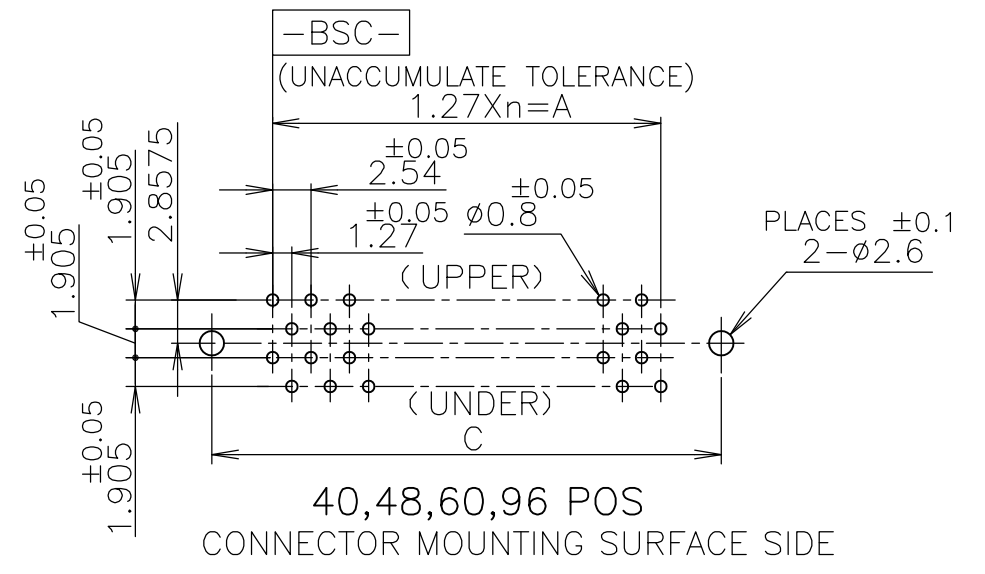
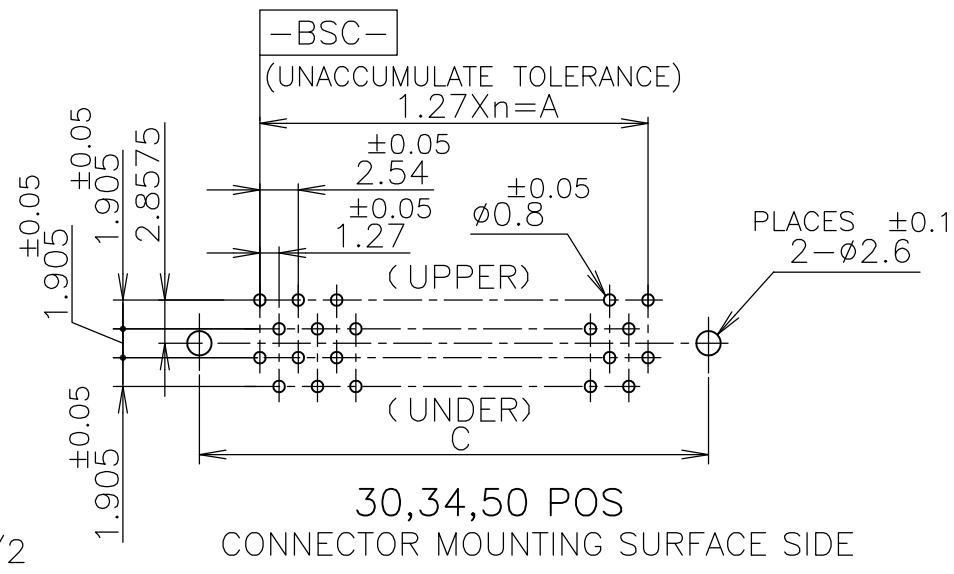
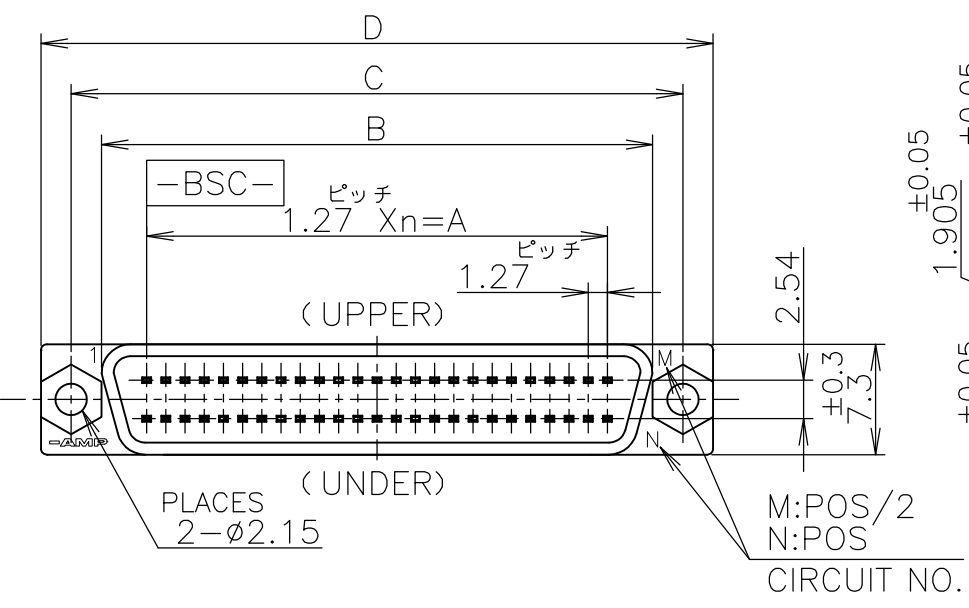
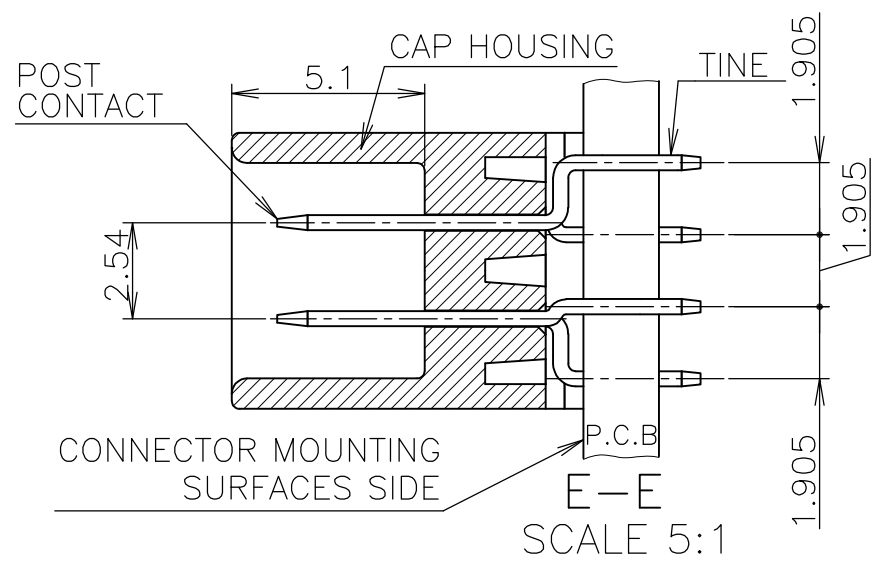
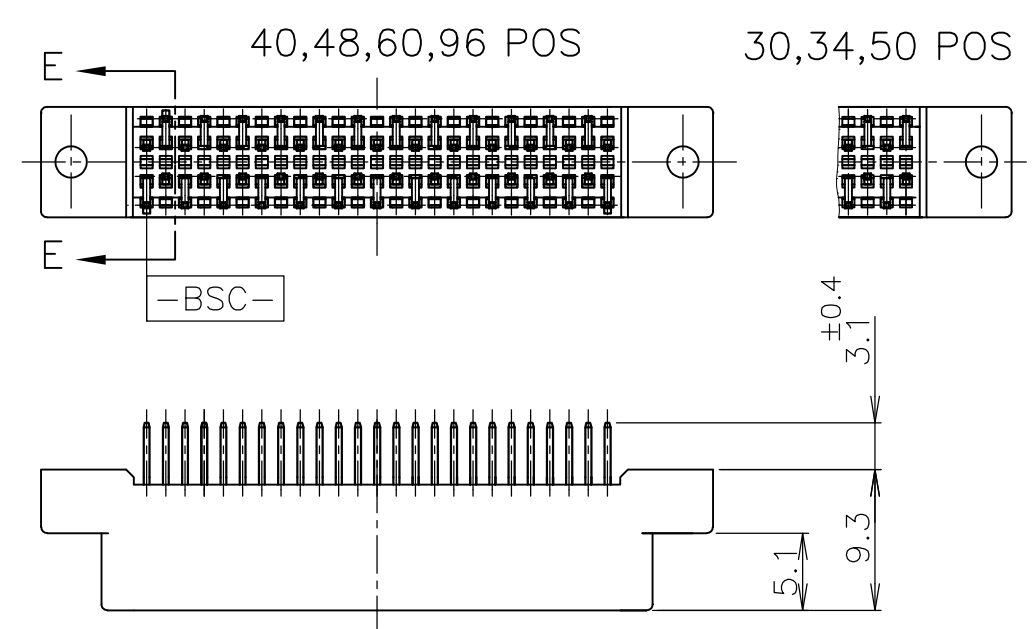
NAME 名称: CAP ASSY VERTICAL
AMPLIMITE .050 SERIES I B-TO-B CONN.

SIZE: A3 CAGE CODE: 00779 DRAWING NO: C-5173280 RESTRICTED TO: -

SCALE 尺度: 2:1 SHEET: 2 OF 3 REV: B

THIS DRAWING IS UNPUBLISHED. RELEASED FOR PUBLICATION OCT, 1984.
 © COPYRIGHT 1984 By - ALL RIGHTS RESERVED.

| REVISIONS 変更 | | | | | |
|-----------------|-----|-------------|------|-----|------|
| P | LTR | DESCRIPTION | DATE | DWN | APVD |
| - | - | SEE SHEET 1 | - | - | - |



- USE A P.C.B. WHOSE SURFACES ARE TREATED WITH SOLDER RESIST.
- SHOW P.C.B LAYOUT FROM THE CONNECTOR-MOUNTING SURFACE SIDE.
- NUMBER THE CONTACTS IN THE P.C.B OR CONNECTOR CONSECUTIVELY FROM THE **BSC** SIDE.
- WHEN SCREWING THE CONNECTOR TO THE P.C.B, USE M2 SCREW, NUT AND WASHERS.
- HOUSING MATERIAL : THERMOPLASTICS (UL94-V0). COLOR:BLACK
- CONTACT MATERIAL : COPPER ALLOY
- FINISH : NICKEL 1.27μ MIN THK. OVERALL SELECTIVE GOLD 0.76μ MIN THK ON CONTACT AREA AND TIN 1μ MIN THK ON TINE AREA.

| | | | | | | | |
|-------------|-----|----|----|-------|-------|-------|-------|
| 6- | -8 | 96 | 47 | 59.69 | 65.66 | 69.66 | 73.66 |
| 6- | -6 | 48 | 23 | 29.21 | 35.18 | 39.18 | 43.18 |
| 6- | -5 | 34 | 16 | 20.32 | 26.29 | 30.29 | 34.29 |
| 6- | -4 | 60 | 29 | 36.83 | 42.80 | 46.80 | 50.80 |
| 6- | -3 | 50 | 24 | 30.48 | 36.45 | 40.45 | 44.45 |
| 6- | -2 | 40 | 19 | 24.13 | 30.10 | 34.10 | 38.10 |
| 6-5173280-1 | 30 | 14 | 14 | 17.78 | 23.75 | 27.75 | 31.75 |
| P/N | POS | n | A | B | C | D | |

| GENERAL TOLERANCE 一般公差 | |
|---------------------------|-------|
| 10 ≥ : | ±0.2 |
| 30 ≥ > 10: | ±0.25 |
| 100 ≥ > 30: | ±0.3 |
| ANGLES: | ±3° |

THIS DRAWING IS A CONTROLLED DOCUMENT.

| | |
|----------------------------|---|
| DIMENSIONS: 単位: 耗 MM | TOLERANCES UNLESS OTHERWISE SPECIFIED: 一般公差 |
| | 0 PLC ± - |
| | 1 PLC ± - |
| | 2 PLC ± - |
| | 3 PLC ± - |
| | 4 PLC ± - |
| | ANGLES ± - |
| MATERIAL 材料 SEE 参照 | FINISH 仕上 SEE 参照 |

| | | |
|----------------------------|-----------------|---|
| DWN | - | TE Connectivity |
| CHK | - | |
| APVD | - | |
| PRODUCT SPEC 製品規格 | - | |
| APPLICATION SPEC 取付適用規格 | - | NAME 名称 |
| WEIGHT | - | CAP ASSY VERTICAL AMPLIMITE .050 SERIES I B-TO-B CONN. |
| CUSTOMER DRAWING | SCALE 尺度 2:1 | SIZE A3 |
| | SHEET 3 OF 3 | DRAWING NO 番号 C-5173280 |
| | REV B | RESTRICTED TO |