

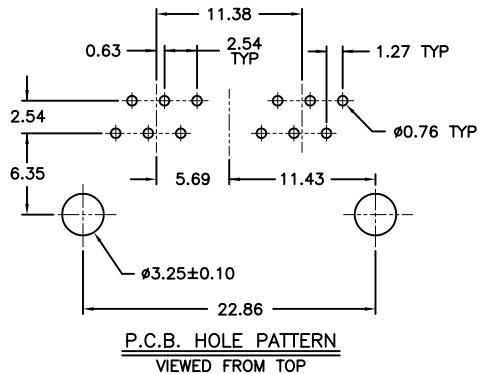
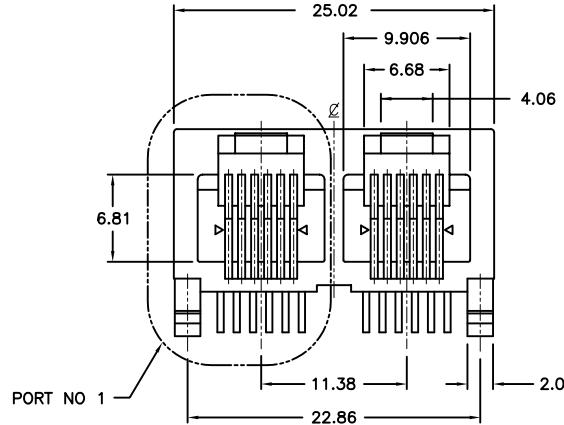
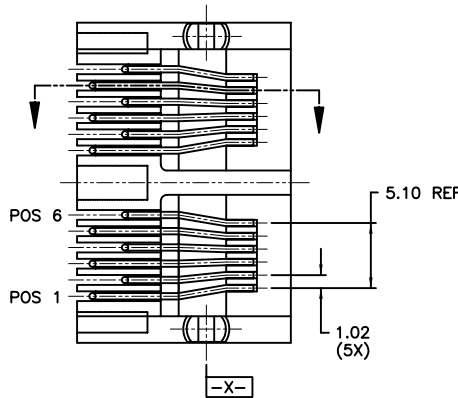
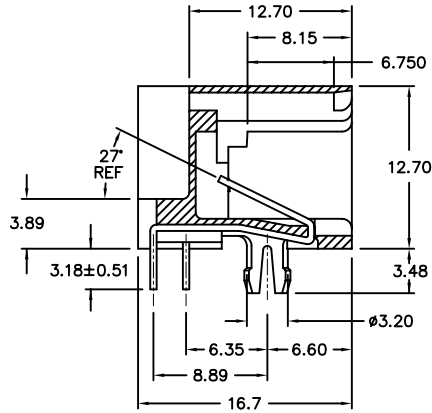
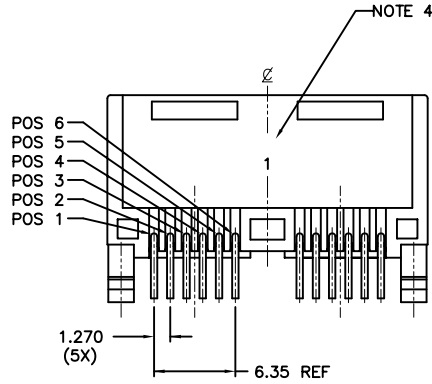
Tous droits strictement reserves. Reproduction ou communication a des tiers interdite sous quelque forme que ce soit sans autorisation écrite du propriétaire. Propriete de c FCI. Droits de reproduction FCI.

**FCI**

All rights strictly reserved. Reproduction or issue to third parties in any form whatever is not permitted without written authority from the proprietor. Property of FCI. Copyright FCI.

PRODUCT NO. ⑤	POS. LOADED	
	PORT NO. 1 POS.	PORT NO. 2 POS.
94970-001LF	ALL	ALL
94970-002LF	3,4	3,4
94970-003LF	2,3,4,5	2,3,4,5

NOTE: PLEASE CHECK FOR AVAILABILITY, NOT ALL OPTIONS AVAILABLE.



NOTES

- RECOMMENDED P.C.B. THICKNESS 1.60mm.
- HOUSING MAT'L: PCT OR OTHER HI-TEMP PLASTIC EQUIVALENT UL94V-0, COLOR: BLACK.
- CONTACTS: PHOSPHOR BRONZE ALLOY UNS-C51000, 0.46DIA, ROUND WIRE, PLATING 30μ"GXT. (SEE NOTE 8)
- COMPANY LOGO LOCATED IN THIS AREA.
- LF SUFFIX AT THE END OF PART NUMBER FOR LEAD FREE OPTION.
- THE HOUSING WILL WITHSTAND EXPOSURE TO 260°C PEAK TEMPERATURE FOR 15 SECONDS IN A WAVE SOLDER APPLICATION WITH A 1.5mm MINIMUM THICK CIRCUIT BOARD. SEE APPLICATION NOTES/PROCEDURES IF THEY ARE AVAILABLE.
- THIS PRODUCT MEETS EUROPEAN UNION DIRECTIVES AND OTHER COUNTRY REGULATION AS DESCRIBED IN GS-22-008.
- PLATING OPTIONS: MAY BE EITHER GOLD OR GXT PLATED AT MANUFACTURER'S OPTION.

mat'l. code				tolerances unless otherwise specified		CUSTOMER COPY	 www.fciconnect.com
ltr	ecn no	dr	date				
A	T40291	WL	12/9/94	linear	.X±.3	projection	title
B	T50022	CL	1/18/95		.XX±.13		
C	V71085	GAH	7/28/97	angles	.XXX±.051		
D	V81240	GAH	6/24/98	dr	0° ±2°	 MM	R/A RJ11 DUAL PCB MOD JACK ASSY
E	V12594	LP	3/20/02	engr			
F	V03-1103	PJ	10/23/03	chr		scale	product family MOD JACK code
G	M05-0066	MHT	4/15/05	appd			
sheet index		revision sheet	G 1				A 94970 sheet 1 of 1