

PLC-V8C/SC-24DC/SAM - Controller



2905082

<https://www.phoenixcontact.com/us/products/2905082>

Please be informed that the data shown in this PDF document is generated from our online catalog. Please find the complete data in the user documentation. Our general terms of use for downloads are valid.



PLC logic stand-alone logic module, generation 1, with 16 I/Os, can be plugged onto 8 digital PLC-INTERFACE terminal blocks, cannot be extended, realtime clock, accommodates memory module and Bluetooth adapter (firmware update required, see downloads), screw connection

Commercial data

Item number	2905082
Packing unit	1 pc
Minimum order quantity	1 pc
Note	Made to order (non-returnable)
Sales key	C424
Product key	CK2611
Catalog page	Page 454 (C-7-2015)
GTIN	4046356918923
Weight per piece (including packing)	131.4 g
Weight per piece (excluding packing)	131.4 g
Customs tariff number	85371098
Country of origin	DE

Technical data

Notes

General	For proper use, the specifications of the installation directive (see Downloads) must be observed.
Utilization restriction	
EMC note	EMC: class A product, see manufacturer's declaration in the download area

Product properties

Product type	Base unit
Product family	PLC logic
Operating mode	100% operating factor

Insulation characteristics

Insulation	Basic insulation
------------	------------------

Insulation characteristics: Air clearances and creepage distances between the power circuits

Insulation	Basic insulation
Overvoltage category	III
Pollution degree	2

Electrical properties

Air clearances and creepage distances between the power circuits

Rated insulation voltage	50 V
Rated surge voltage	0.8 kV

Real-time clock

Realtime clock	Yes
Buffer period	24 h (Capacitor)
Accuracy realtime clock	±2 s/d

Supply

Supply voltage	24 V DC
Supply voltage range	19.2 V DC ... 26.4 V DC
Maximum input current at U_N	120 mA
Protective circuit	Reverse polarity protection Surge protection

Input data

Digital inputs

Number of inputs	8 (2 configurable as analog)
Description of the input	EN 61131-2, type 3
Input voltage	24 V DC

PLC-V8C/SC-24DC/SAM - Controller



2905082

<https://www.phoenixcontact.com/us/products/2905082>

Signal level "0" signal	< 5 V
Signal level "1" signal	> 11 V
Input current "0" signal	< 1 mA
Input current "1" signal	2.5 mA
Status display	Yellow LED

Analog inputs

Number of inputs	2 (IN6 and IN7 are configurable as analog)
Input voltage range	0 V ... 10 V
Input resistance	> 3.5 kΩ

Contact to PLC-INTERFACE

Number of inputs	≤ 8
Description of the input	technical data depends on the PLC-INTERFACE terminal block used
Input voltage	19 V DC
Typical current consumption	4 mA
Input resistance	< 100 mΩ

Output data

Number of outputs	≤ 8
Nominal output voltage	24 V DC
Nominal current	9 mA

Connection data

COMBICON connection

Connection method	Screw connection
Stripping length	7 mm
Screw thread	M2
Number of connections	1
Number of positions	10
Note	Device supply and 8 x inputs
Conductor cross section rigid	0.14 mm ² ... 1.5 mm ²
Conductor cross section flexible	0.14 mm ² ... 1.5 mm ²
	0.25 mm ² ... 0.5 mm ² (Ferrule with plastic sleeve)
	0.25 mm ² ... 1.5 mm ² (Ferrules without plastic sleeve)
Conductor cross section AWG	28 ... 16

Programming connection

Connection method	Micro USB type B
Number of connections	1

Memory

Connection method	S-PORT (socket)
Number of connections	1
Number of positions	12

PLC-V8C/SC-24DC/SAM - Controller



2905082

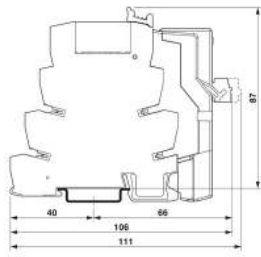
<https://www.phoenixcontact.com/us/products/2905082>

Note	For connecting the memory module
------	----------------------------------

Signaling

Status display	Green LED
----------------	-----------

Dimensions

Dimensional drawing	
Width	50 mm
Height	44 mm 106 mm (with relay)
Depth	82.5 mm 87 mm (with relay)

Environmental and real-life conditions

Ambient conditions

Degree of protection	IP20
Ambient temperature (operation)	-20 °C ... 45 °C
Ambient temperature (storage/transport)	-20 °C ... 70 °C
Max. permissible relative humidity (operation)	95 %

Approvals

CE

Certificate	CE-compliant
-------------	--------------

Standards and regulations

Air clearances and creepage distances between the power circuits

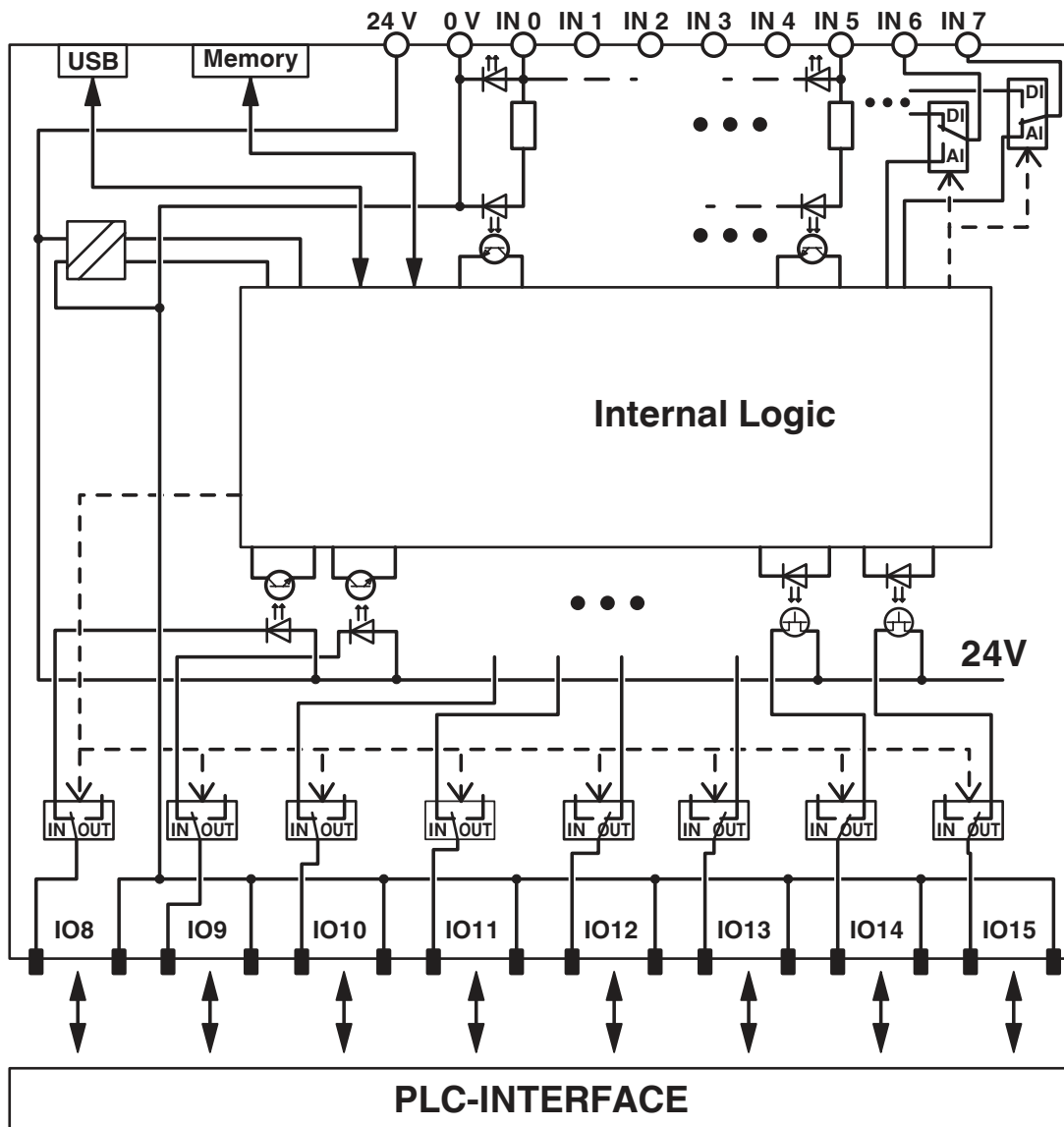
Standards/regulations	DIN EN 50178
-----------------------	--------------

Mounting

Mounting type	Plug-in mounting
Assembly instructions	can be plugged onto 8 x PLC-INTERFACE terminal blocks
Mounting position	any

Drawings

Circuit diagram



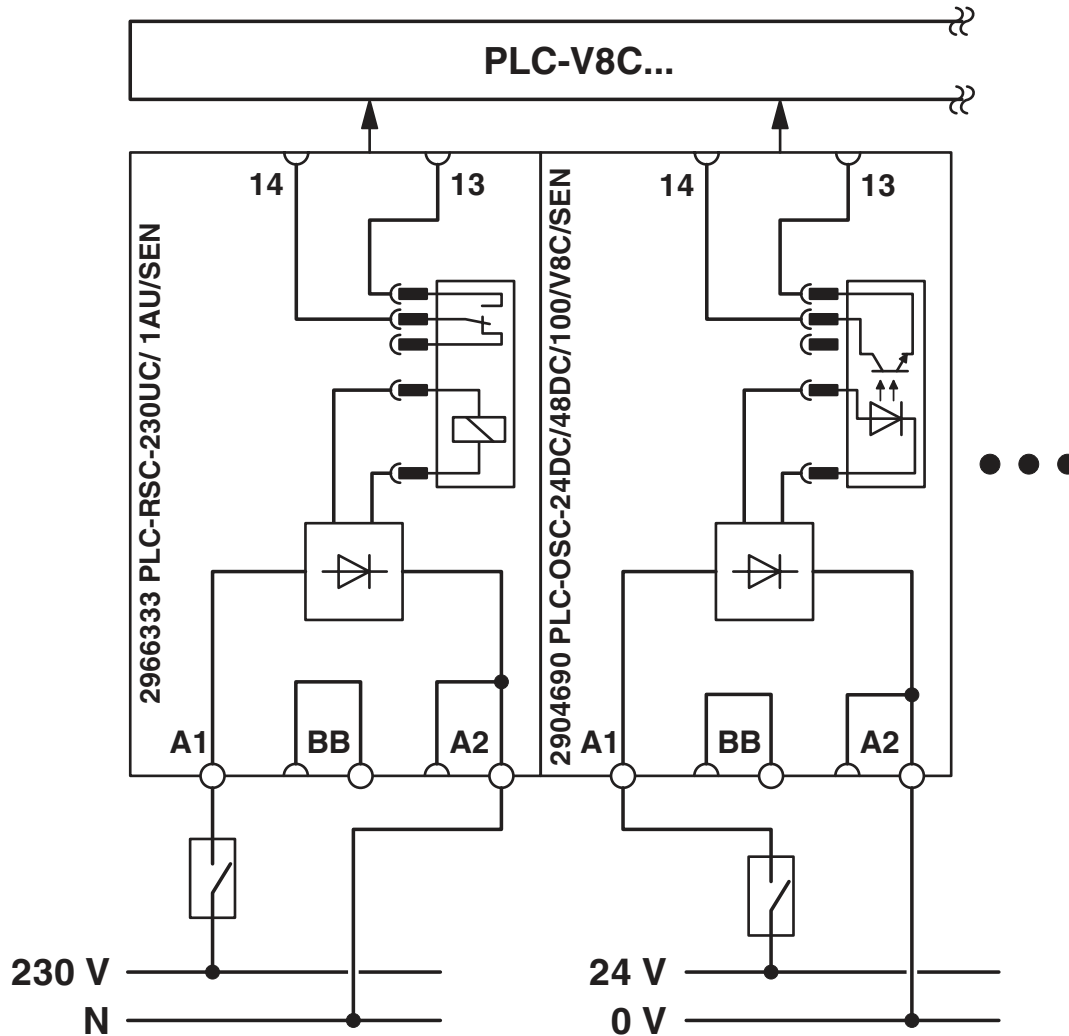
PLC-V8C/SC-24DC/SAM - Controller



2905082

<https://www.phoenixcontact.com/us/products/2905082>

Circuit diagram



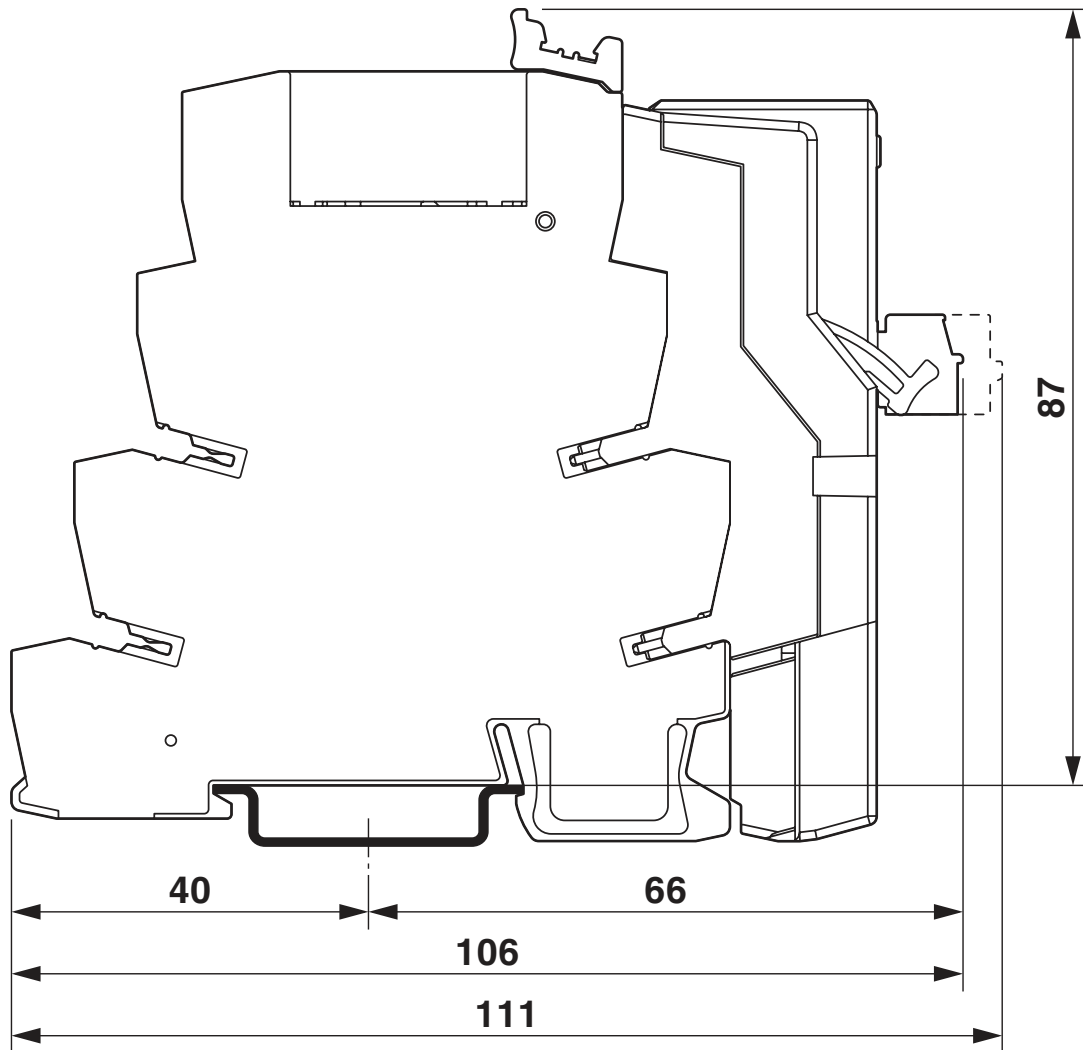
PLC-V8C/SC-24DC/SAM - Controller



2905082

<https://www.phoenixcontact.com/us/products/2905082>

Dimensional drawing



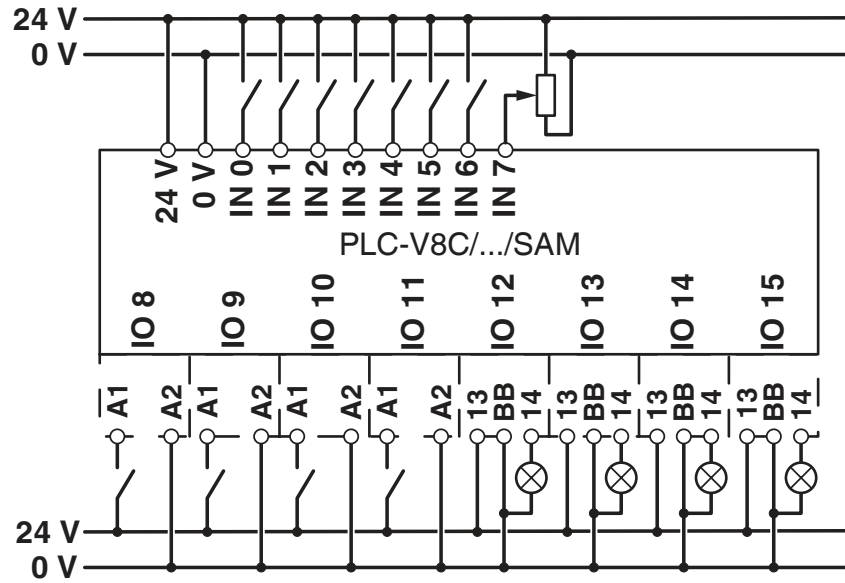
PLC-V8C/SC-24DC/SAM - Controller

2905082

<https://www.phoenixcontact.com/us/products/2905082>



Connection diagram



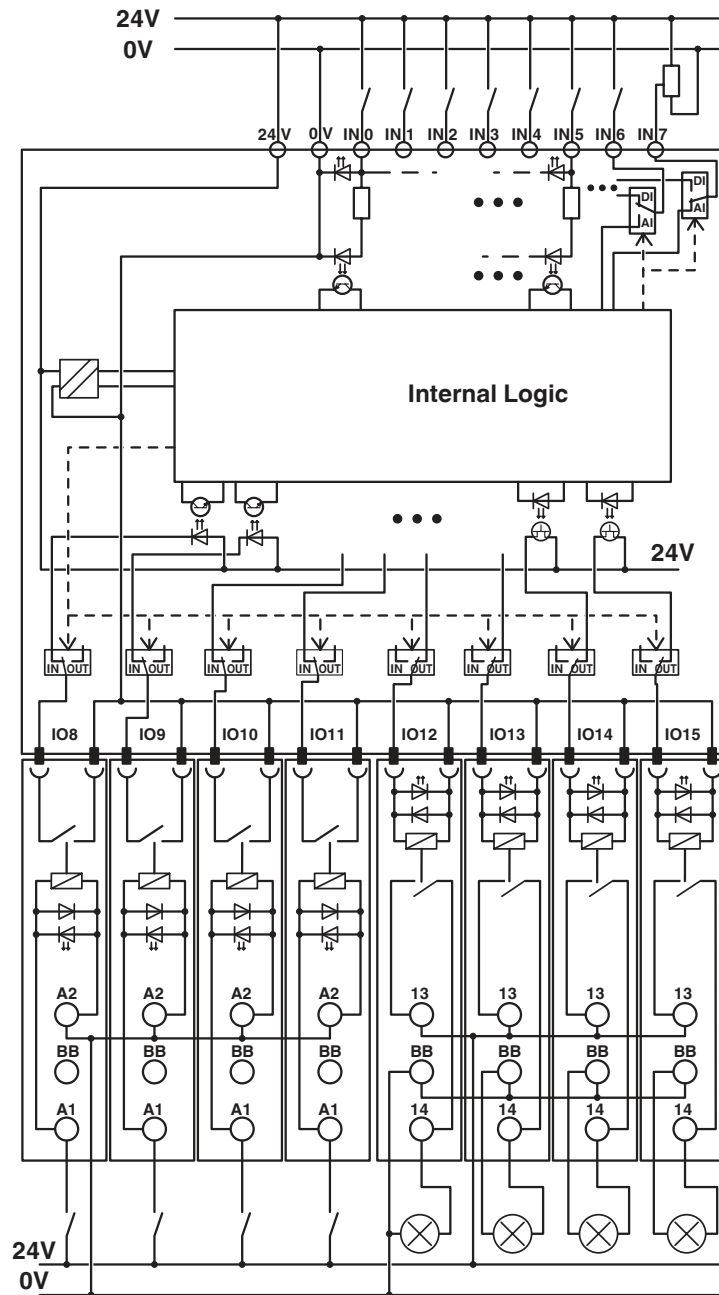
PLC-V8C/SC-24DC/SAM - Controller

2905082

<https://www.phoenixcontact.com/us/products/2905082>



Circuit diagram



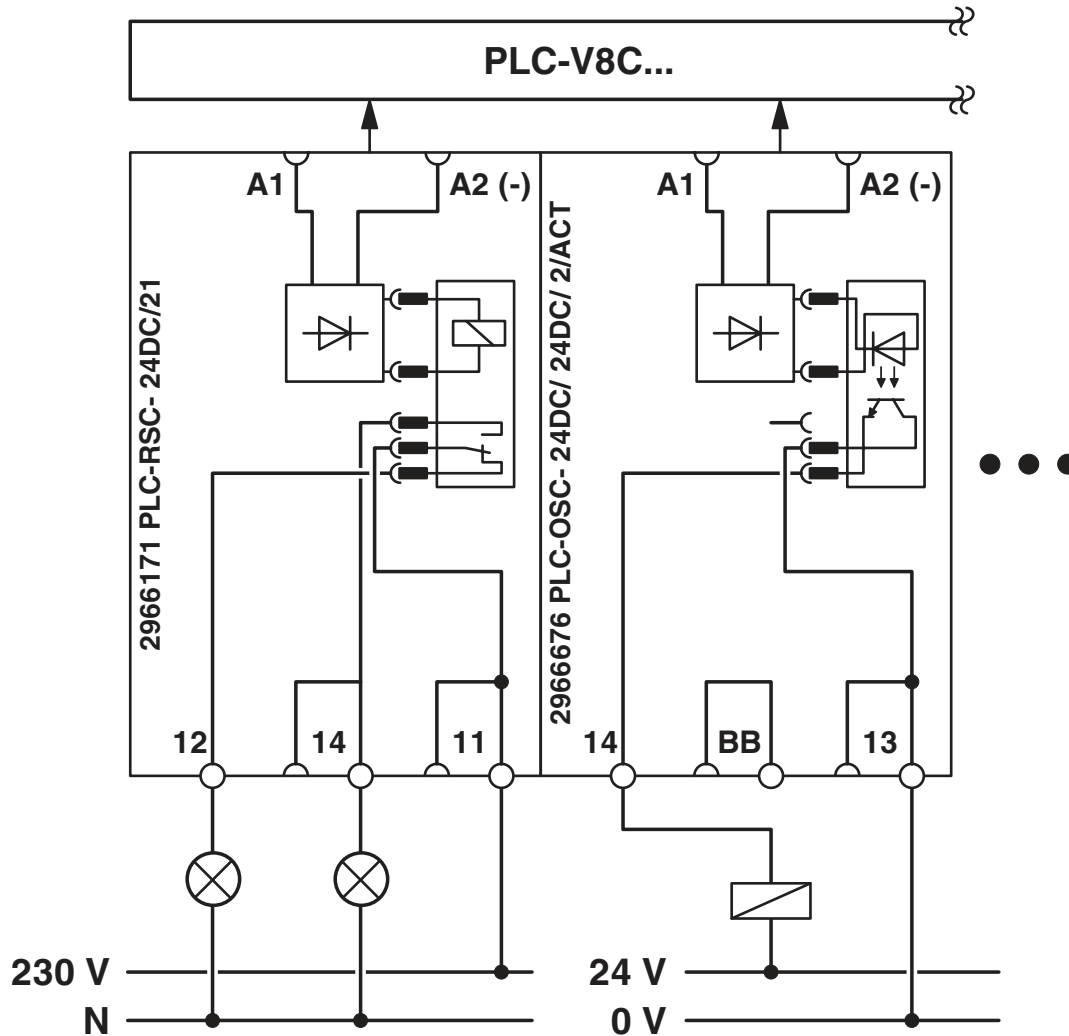
PLC-V8C/SC-24DC/SAM - Controller



2905082

<https://www.phoenixcontact.com/us/products/2905082>

Circuit diagram



PLC-V8C/SC-24DC/SAM - Controller



2905082

<https://www.phoenixcontact.com/us/products/2905082>

Classifications

ECLASS

ECLASS-11.0	27242216
-------------	----------

PLC-V8C/SC-24DC/SAM - Controller



2905082

<https://www.phoenixcontact.com/us/products/2905082>

Environmental product compliance

China RoHS	Environmentally Friendly Use Period = 50 years For information on hazardous substances, refer to the manufacturer's declaration available under "Downloads"
------------	--

PLC-V8C/SC-24DC/SAM - Controller



2905082

<https://www.phoenixcontact.com/us/products/2905082>

Accessories

IFS-CONFSTICK - Memory block

2986122

<https://www.phoenixcontact.com/us/products/2986122>



Multi-functional memory block for the INTERFACE systemf for easy storage and backup of the configuration.

ZBF 19,7:UNBEDRUCKT - Zack marker strips off the roll, flat

0810627

<https://www.phoenixcontact.com/us/products/0810627>



Zack marker strips off the roll, flat, Strip, white, unlabeled, can be labeled with: PLOTMARK, CMS-P1-PLOTTER, mounting type: snapped, for terminal block width: 19.7 mm, lettering field size: 19.7 x 5.2 mm, Number of individual labels: 5

PLC-V8C/SC-24DC/SAM - Controller



2905082

<https://www.phoenixcontact.com/us/products/2905082>

ZBF 19,7 CUS - Zack Marker strip, flat

0825021

<https://www.phoenixcontact.com/us/products/0825021>



Zack Marker strip, flat, can be ordered: Strip, white, labeled according to customer specifications, mounting type: snap into flat marker groove, for terminal block width: 19.7 mm, lettering field size: 5.15 x 19.7 mm, Number of individual labels: 5

CAB-USB A/MICRO USB B/2,0M - Connecting cable

2701626

<https://www.phoenixcontact.com/us/products/2701626>



Connecting cable, for connecting the controller to a PC for PC Worx and LOGIC+, USB A to micro USB B, 2 m in length.

PLC-V8C/SC-24DC/SAM - Controller



2905082

<https://www.phoenixcontact.com/us/products/2905082>

SZS 0,4X2,5 VDE - Screwdriver

1205037

<https://www.phoenixcontact.com/us/products/1205037>



Screwdriver, slot-headed, VDE insulated, size: 0.4 x 2.5 x 80 mm, 2-component grip, with non-slip grip

IFS-BT-PROG-ADAPTER - Adapter

2905872

<https://www.phoenixcontact.com/us/products/2905872>



Bluetooth adapter with micro USB and S-PORT interface for wireless communication with the MINI Analog, MINI Analog Pro, MACX Analog, Interface System Gateways, and PLC logic device series.

PLC-V8C/SC-24DC/SAM - Controller

2905082

<https://www.phoenixcontact.com/us/products/2905082>

PLC-RPT- 24DC/21 - Relay Module

2900299

<https://www.phoenixcontact.com/us/products/2900299>



PLC-INTERFACE, consisting of PLC-BPT.../21 basic terminal block with Push-in connection and plug-in miniature relay with power contact, for mounting on NS 35/7,5 DIN rail, 1 changeover contact, input voltage 24 V DC

PLC-RPT- 24DC/21AU - Relay Module

2900306

<https://www.phoenixcontact.com/us/products/2900306>



PLC-INTERFACE, consisting of PLC-BPT.../21 basic terminal block with Push-in connection and plug-in miniature relay with multi-layer gold contact, for mounting on DIN rail NS 35/7,5, 1 changeover contact, input voltage 24 V DC

PLC-V8C/SC-24DC/SAM - Controller

2905082

<https://www.phoenixcontact.com/us/products/2905082>



PLC-RPT- 24DC/ 1/ACT - Relay Module

2900312

<https://www.phoenixcontact.com/us/products/2900312>



PLC-INTERFACE for output functions, consisting of PLC-BPT.../ACT basic terminal block with push-in connection and plug-in miniature relay with power contact, for mounting on DIN rail NS 35/7,5, 1 N/O contact, input voltage 24 V DC

PLC-RPT- 24UC/ 1/S/H - Switch

2900328

<https://www.phoenixcontact.com/us/products/2900328>



PLC-INTERFACE with switch (operation by hand) and integrated power contact relay for the "Manual, Zero and Automatic" functions, with push-in connection, for mounting on DIN rail NS 35/7.5, one N/O contact, input voltage 24 V AC/DC

PLC-V8C/SC-24DC/SAM - Controller

2905082

<https://www.phoenixcontact.com/us/products/2905082>

PLC-RSC- 24DC/21 - Relay Module

2966171

<https://www.phoenixcontact.com/us/products/2966171>



PLC-INTERFACE, consisting of basic terminal block PLC-BSC.../21 with screw connection and plug-in miniature relay with power contact, for assembly on DIN rail NS 35/7,5, 1 changeover contact, input voltage 24 V DC

PLC-RSC- 24DC/21AU - Relay Module

2966265

<https://www.phoenixcontact.com/us/products/2966265>



PLC-INTERFACE, consisting of PLC-BSC.../21 basic terminal block with screw connection and plug-in miniature relay with multi-layer gold contact, for mounting on DIN rail NS 35/7,5, 1 changeover contact, input voltage 24 V DC

PLC-V8C/SC-24DC/SAM - Controller

2905082

<https://www.phoenixcontact.com/us/products/2905082>



PLC-RSC- 24UC/ 1/S/H - Switch

2982236

<https://www.phoenixcontact.com/us/products/2982236>



PLC-INTERFACE with switch (operation by hand) for the “Manual, Zero, and Automatic” functions, with screw connection and integrated power contact relay, for mounting on DIN rail NS 35/7,5, 1 N/O contact, input voltage 24 V AC/DC

PLC-OPT- 24DC/ 48DC/100 - Solid-state relay module

2900352

<https://www.phoenixcontact.com/us/products/2900352>



PLC-INTERFACE, consisting of PLC-BPT.../21 basic terminal block with push-in connection and plug-in miniature solid-state relay, for mounting on DIN rail NS 35/7,5, 1 N/O contact, input: 24 V DC, output: 3 - 48 V DC/100 mA

PLC-V8C/SC-24DC/SAM - Controller

2905082

<https://www.phoenixcontact.com/us/products/2905082>

PLC-OPT- 24DC/ 24DC/2 - Solid-state relay module

2900364

<https://www.phoenixcontact.com/us/products/2900364>



PLC-INTERFACE, consisting of PLC-BPT.../21 basic terminal block with push-in connection and plug-in miniature solid-state relay, for mounting on DIN rail NS 35/7,5, 1 N/O contact, input: 24 V DC, output: 3 - 33 V DC/3 A

PLC-OPT- 24DC/230AC/1 - Solid-state relay module

2900369

<https://www.phoenixcontact.com/us/products/2900369>



PLC-INTERFACE, consisting of PLC-BPT.../21 basic terminal block with push-in connection and plug-in miniature solid-state relay, for mounting on DIN rail NS 35/7,5, 1 N/O contact, input: 24 V DC, output: 24 - 253 V AC/0.75 A

PLC-V8C/SC-24DC/SAM - Controller

2905082

<https://www.phoenixcontact.com/us/products/2905082>



PLC-OPT- 24DC/ 24DC/2/ACT - Solid-state relay module

2900376

<https://www.phoenixcontact.com/us/products/2900376>



PLC-INTERFACE for output functions, consisting of PLC-BPT.../ACT basic terminal block with push-in connection and plug-in miniature solid-state relay, for mounting on DIN rail NS 35/7,5, 1 N/O contact, input: 24 V DC, output: 3 - 33 V DC/3 A

PLC-OPT- 24DC/300DC/1 - Solid-state relay module

2900383

<https://www.phoenixcontact.com/us/products/2900383>



PLC-INTERFACE, integrated solid-state relay, with push-in connection, for mounting on NS 35/7,5 DIN rails, input: 24 V DC, output: 12 - 300 V DC/1 A

PLC-V8C/SC-24DC/SAM - Controller

2905082

<https://www.phoenixcontact.com/us/products/2905082>



PLC-OPT- 24DC/ 24DC/10/R - Solid-state relay module

2900398

<https://www.phoenixcontact.com/us/products/2900398>



PLC-INTERFACE with confirmation contact, consisting of basic terminal block with push-in connection and integrated miniature solid-state relay, for mounting on DIN rail NS 35/7,5, 1 N/O contact, input: 24 V DC, output: 3 - 33 V DC/10 A

PLC-OPT- 24DC/ 48DC/500/W - Solid-state relay module

2900378

<https://www.phoenixcontact.com/us/products/2900378>



PLC-INTERFACE with electronic changeover contact, consisting of PLC-BPT.../21 basic terminal block with Push-in connection and integrated miniature solid-state relay, for mounting on DIN rail NS 35/7,5, 1 changeover contact, input: 24 V DC, output: 3-48 V DC/500 mA

PLC-V8C/SC-24DC/SAM - Controller

2905082

<https://www.phoenixcontact.com/us/products/2905082>

PLC-OPT- 24DC/TTL - Solid-state relay module

2900363

<https://www.phoenixcontact.com/us/products/2900363>



PLC-INTERFACE for TTL signal, consisting of PLC-O.../TTL basic terminal block with push-in connection and integrated solid-state relay, for mounting on DIN rail NS 35/7,5, 1 N/O contact, input: 24 V DC, output: TTL (5 V DC)

PLC-OSC- 24DC/ 48DC/100 - Solid-state relay module

2966728

<https://www.phoenixcontact.com/us/products/2966728>



PLC-INTERFACE, consisting of PLC-BSC.../21 basic terminal block with screw connection and plug-in miniature solid-state relay, for mounting on DIN rail NS 35/7,5, 1 N/O contact, input: 24 V DC, output: 3 - 48 V DC/100 mA

PLC-V8C/SC-24DC/SAM - Controller

2905082

<https://www.phoenixcontact.com/us/products/2905082>

PLC-OSC- 24DC/ 24DC/ 2 - Solid-state relay module

2966634

<https://www.phoenixcontact.com/us/products/2966634>



PLC-INTERFACE, consisting of PLC-BSC.../21 basic terminal block with screw connection and plug-in miniature solid-state relay, for mounting on DIN rail NS 35/7,5, 1 N/O contact, input: 24 V DC, output: 3 - 33 V DC/3 A

PLC-OSC- 24DC/230AC/ 1 - Solid-state relay module

2967840

<https://www.phoenixcontact.com/us/products/2967840>



PLC-INTERFACE, consisting of PLC-BSC.../21 basic terminal block with screw connection and plug-in miniature solid-state relay, for mounting on DIN rail NS 35/7,5, 1 N/O contact, input: 24 V DC, output: 24 - 253 V AC/0.75 A

PLC-V8C/SC-24DC/SAM - Controller

2905082

<https://www.phoenixcontact.com/us/products/2905082>



PLC-OSC- 24DC/ 24DC/ 2/ACT - Solid-state relay module

2966676

<https://www.phoenixcontact.com/us/products/2966676>



PLC-INTERFACE for output functions, consisting of PLC-BSC.../ACT basic terminal block with screw connection and plug-in miniature solid-state relay, for mounting on DIN rail NS 35/7,5, 1 N/O contact, input: 24 V DC, output: 3 - 33 V DC/3 A

PLC-OSC- 24DC/230AC/ 1/ACT - Solid-state relay module

2967947

<https://www.phoenixcontact.com/us/products/2967947>



PLC-INTERFACE for output functions, consisting of PLC-BSC.../ACT basic terminal block with screw connection and plug-in miniature solid-state relay, for mounting on DIN rail NS 35/7,5, 1 N/O contact, input: 24 V DC, output: 24 ... 253 V AC/0.75 A

PLC-V8C/SC-24DC/SAM - Controller

2905082

<https://www.phoenixcontact.com/us/products/2905082>



PLC-OSC- 24DC/300DC/ 1 - Solid-state relay module

2980678

<https://www.phoenixcontact.com/us/products/2980678>



PLC-INTERFACE, integrated solid-state relay, with screw connection, for mounting on NS 35/7,5 DIN rails, input: 24 V DC, output: 12 - 300 V DC/1 A

PLC-OSC- 24DC/ 24DC/ 10/R - Solid-state relay module

2982702

<https://www.phoenixcontact.com/us/products/2982702>



PLC-INTERFACE with checkback contact, consisting of basic terminal block with screw connection and integrated miniature solid-state relay, for mounting on DIN rail NS 35/7,5, 1 N/O contact, input: 24 V DC, output: 3 ... 33 V DC/10 A

PLC-V8C/SC-24DC/SAM - Controller

2905082

<https://www.phoenixcontact.com/us/products/2905082>



PLC-OSC- 24DC/ 48DC/500/W - Solid-state relay module

2980636

<https://www.phoenixcontact.com/us/products/2980636>



PLC-INTERFACE with electronic changeover contact, consisting of PLC-BSC... /21 basic terminal block with screw connection and integrated miniature solid-state relay, for mounting on NS 35/7,5 DIN rail, 1 changeover contact, input: 24 V DC, output: 3 V DC ... 48 V DC/500 mA

PLC-OSC- 24DC/TTL - Solid-state relay module

2982728

<https://www.phoenixcontact.com/us/products/2982728>



PLC solid-state relay with screw connection, for mounting on DIN rail NS 35/7.5, input: 24 V DC, output: TTL (5 V DC)

PLC-V8C/SC-24DC/SAM - Controller

2905082

<https://www.phoenixcontact.com/us/products/2905082>



PLC-RPT- 24DC/ 1AU/SEN - Relay Module

2900313

<https://www.phoenixcontact.com/us/products/2900313>



PLC-INTERFACE for input functions, consisting of PLC-BPT.../SEN basic terminal block with push-in connection and plug-in miniature relay with multi-layer gold contact, for mounting on DIN rail NS 35/7,5, 1 N/O contact, input voltage 24 V DC

PLC-RPT-120UC/ 1AU/SEN - Relay Module

2900314

<https://www.phoenixcontact.com/us/products/2900314>



PLC-INTERFACE for input functions, consisting of PLC-BPT.../SEN basic terminal block with push-in connection and plug-in miniature relay with multi-layer gold contact, for mounting on DIN rail NS 35/7,5, 1 N/O contact, input voltage 120 V AC/110 V DC

PLC-V8C/SC-24DC/SAM - Controller

2905082

<https://www.phoenixcontact.com/us/products/2905082>



PLC-RPT-230UC/ 1AU/SEN - Relay Module

2900315

<https://www.phoenixcontact.com/us/products/2900315>



PLC-INTERFACE for input functions, consisting of PLC-BPT.../SEN basic terminal block with push-in connection and plug-in miniature relay with multi-layer gold contact, for mounting on DIN rail NS 35/7,5, 1 N/O contact, input voltage 230 V AC/220 V DC

PLC-RSC- 24DC/ 1AU/SEN - Relay Module

2966317

<https://www.phoenixcontact.com/us/products/2966317>



PLC-INTERFACE for input functions, consisting of PLC-BSC.../SEN basic terminal block with screw connection and plug-in miniature relay with multi-layer gold contact, for mounting on DIN rail NS 35/7,5, 1 N/O contact, input voltage 24 V DC

PLC-V8C/SC-24DC/SAM - Controller

2905082

<https://www.phoenixcontact.com/us/products/2905082>

PLC-RSC-120UC/ 1AU/SEN - Relay Module

2966320

<https://www.phoenixcontact.com/us/products/2966320>



PLC-INTERFACE for input functions, consisting of PLC-BSC.../SEN basic terminal block with screw connection and plug-in miniature relay with multi-layer gold contact, for mounting on DIN rail NS 35/7,5, 1 N/O contact, input voltage 120 V AC/110 V DC

PLC-RSC-230UC/ 1AU/SEN - Relay Module

2966333

<https://www.phoenixcontact.com/us/products/2966333>



PLC-INTERFACE for input functions, consisting of PLC-BSC.../SEN basic terminal block with screw connection and plug-in miniature relay with multi-layer gold contact, for mounting on DIN rail NS 35/7,5, 1 N/O contact, input voltage 230 V AC/220 V DC

PLC-V8C/SC-24DC/SAM - Controller

2905082

<https://www.phoenixcontact.com/us/products/2905082>

PLC-BSC- 5DC/ 1/SEN - Relay base

2980267

<https://www.phoenixcontact.com/us/products/2980267>



6.2 mm PLC basic terminal block for output functions with screw connection, without relay or solid-state relay, for mounting on DIN rail NS 35/7,5, with load return line connection (BB), 1 N/O contact, input voltage 5 V DC

PLC-BPT- 24DC/21 - Relay base

2900445

<https://www.phoenixcontact.com/us/products/2900445>



6.2 mm PLC basic terminal block with Push-in connection, without relay or solid-state relay, for mounting on DIN rail NS 35/7,5, 1 changeover contact, input voltage 24 V DC

PLC-V8C/SC-24DC/SAM - Controller

2905082

<https://www.phoenixcontact.com/us/products/2905082>

PLC-BPT- 24DC/ 1/SEN - Relay base

2900262

<https://www.phoenixcontact.com/us/products/2900262>



6.2 mm PLC basic terminal block for input functions with push-in connection, without relay or solid-state relay, for mounting on DIN rail NS 35/7,5, with sensor supply voltage distribution (BB), 1 N/O contact, input voltage 24 V DC

PLC-BSC- 24DC/21 - Relay base

2966016

<https://www.phoenixcontact.com/us/products/2966016>



6.2 mm PLC basic terminal block with screw connection, without relay or solid-state relay, for mounting on DIN rail NS 35/7,5, 1 changeover contact, input voltage 24 V DC

PLC-V8C/SC-24DC/SAM - Controller



2905082

<https://www.phoenixcontact.com/us/products/2905082>

PLC-BSC- 24DC/ 1/SEN - Relay base

2966061

<https://www.phoenixcontact.com/us/products/2966061>



6.2 mm PLC basic terminal block for input functions with screw connection, without relay or solid-state relay, for mounting on DIN rail NS 35/7,5, with sensor supply voltage distribution (BB), 1 N/O contact, input voltage 24 V DC

Phoenix Contact 2023 © - all rights reserved

<https://www.phoenixcontact.com>

Phoenix Contact USA
586 Fulling Mill Road
Middletown, PA 17057, United States
(+717) 944-1300
info@phoenixcon.com