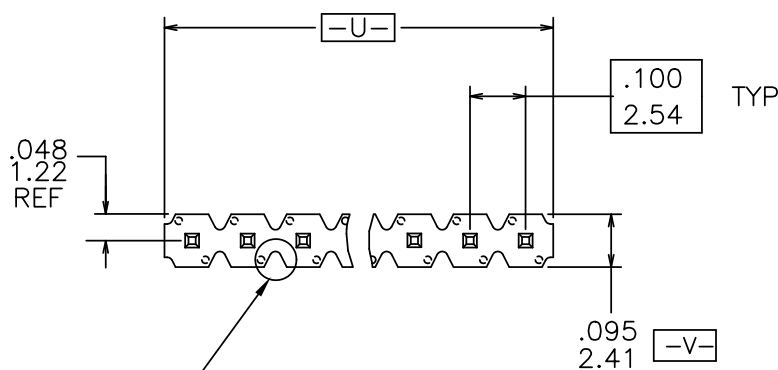


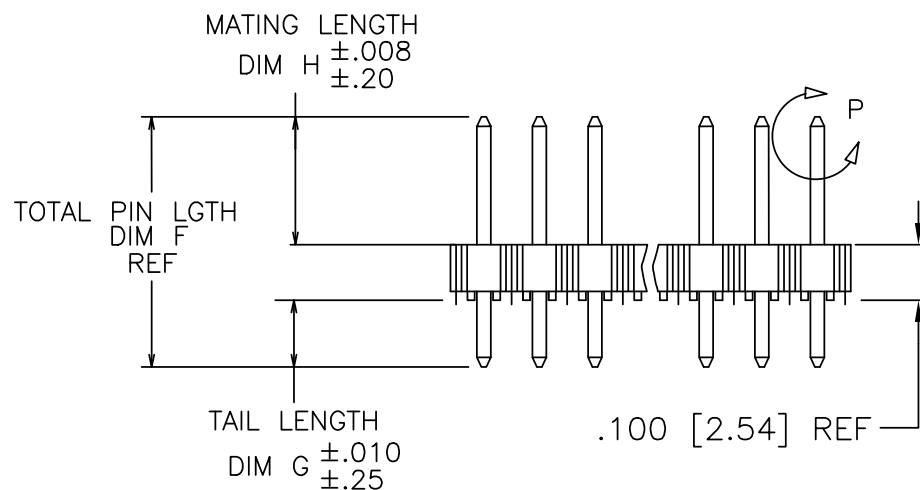
PRODUCT NUMBER
10120090 -XYHLF

- LEAD FREE OPTION SEE NOTE 11
- HIGH TEMPERATURE PLASTIC SEE NOTE 1
- NO OF POSITIONS SEE NOTE 3
- PIN PLATING SEE SHEET 2
- BASE PART NO.



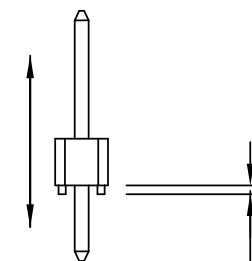
SINGLE ROW TOP VIEW

NOTE 8

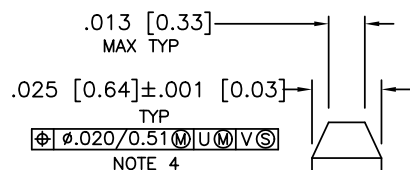


SINGLE ROW SIDE VIEW

NOTE 6



SINGLE ROW END VIEW



DETAIL P
SCALE 5:1
TYP BOTH ENDS

25°±5'
4 SIDES

mat'l. code SEE NOTE 1 & 2		surface ISO 1302 ✓	tolerance ISO 406 ISO 1101	projection ASME Y14.5	product family BERGSTIK
ltr/ecn n°dr	date	tolerances unless otherwise specified		INCH/MM	title BERGSTIK SM HEADER. S/R .100/2.54cc STRAIGHT
A	- J.Z 2012-02-29	angles	linear	scale 1:1	dwg no 10120090
		0°±2'	XXXX±.005/XXX±0.13 XXXX±.0020/XXX±0.05		sheet of 2 size A3
		dr	J.ZHOU	2012-02-29	FCJ
		enr	J.ZHOU	2012-02-29	
		chr	J.ZHOU	2012-02-29	
		appd	R.BIAN	2012-02-29	
sheet index	revision	A	A		type Product Customer Drawing
	sheet	1	2		

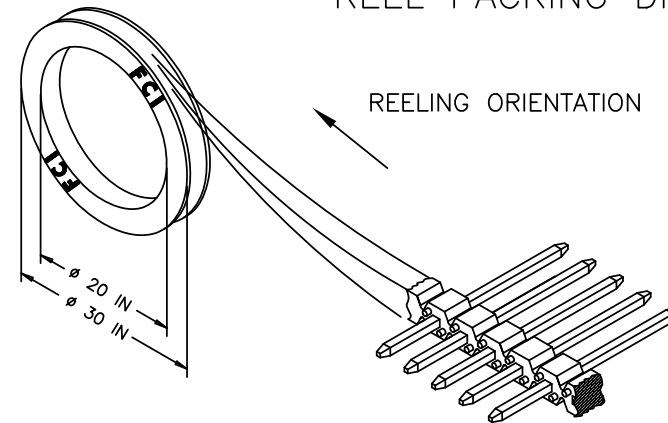
Copyright FCI
FCIconnect.com

PRODUCT NUMBER	TOT. PIN LGTH.		TAIL LENGTH		MATING LENGTH		PACKAGING
	DIM F	DIM F	DIM G	DIM G	DIM H	DIM H	
	ENGLISH	METRIC	ENGLISH	METRIC	ENGLISH	METRIC	
10120090-400HLF	0.575	14.6	0.098	2.50	0.376	9.56	REEL

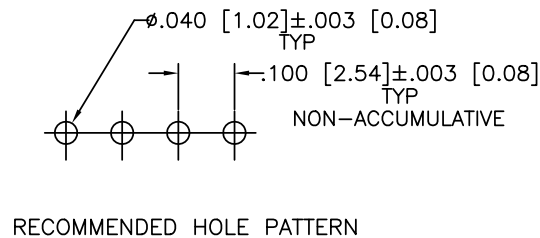
NOTES

- ① BODY MATERIAL : MANUFACTURER'S OPTION OF LCP
FLAME RETARDENT PER UL-94V-0.
COLOR: BLACK
- ② PIN MATERIAL : BRASS.
- ③ EVEN NUMBER OF POSITIONS FROM 1 THROUGH 36
FOR BERGSTIK. -X00H INDICATES BERGSTRIIP PRODUCT.
FOR SPECIAL GEOMETRY OF THIS CONTINUOUS STRIP PRODUCT.
AUTOMATED REELS WILL CONTAIN 36,000 PINS.
SEE SPECIFIC PART NUMBERS FOR AVAILABILITY.
- ④ MEASURED WITH PART IN RESTRAINED CONDITION.
- ⑤ TWO SIDES OF PIN TIPS NOT PLATED. TYPICAL BOTH ENDS.
- ⑥ 2LBS/0.9KG MIN PIN RETENTION IN EITHER DIRECTION.
- ⑦ ±.010/0.25 TOL APPLIES TO ALL "G" TAILS EXCEPT
INDICATED PARTS ON TABLE WHERE +.010/0.25 -.000/0.00
APPLIES.
- ⑧ NOTCH CONFIGURATION WILL VARY PER VENDOR'S DISCRETION.
- ⑨ TAIL LENGTH (DIM. G) TO BE ±.008/.020.
- ⑩ TOTAL LENGHT= .100 [2.54] X NO DE COLUMNS
11. ADD "LF" SUFFIX AT THE END OF PART NUMBER FOR LEAD FREE OPTION.

REEL PACKING DIMENSIONS



PIN PLATING CODES:	WIRE CODES:
10120090-4YYHLF	100u"/2.54u MIN TIN OVER 50u"/1.27u MIN Ni



mat'l. code SEE NOTE 1 & 2	surface ISO 1302 ✓	tolerance ISO 406 ISO 1101	projection ASME Y14.5	product family BERGSTIK
ltrlecn nōdr date	tolerances unless otherwise specified		INCH/MM	title BERGSTRIIP™ HEADER. S/R .100/2.54cc STRAIGHT
A	angles	linear	scale 1:1	dwg no 10120090
	0°±2'	XXX±.01/XX±0.3 XXX±.005/XX±0.13 XXX±.0020/XX±0.05		shee 2 of 2 size A3
	dr	J.ZHOU	2012-02-29	type Product Customer Drawing
	engr	J.ZHOU	2012-02-29	
	chr	J.ZHOU	2012-02-29	
	appd	R.BIAN	2012-02-29	
sheet index	revision sheet			