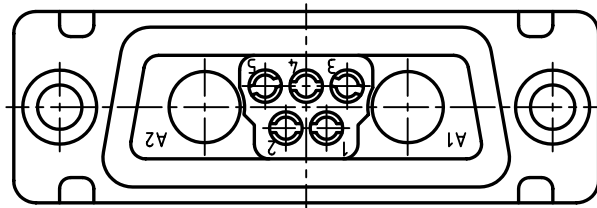
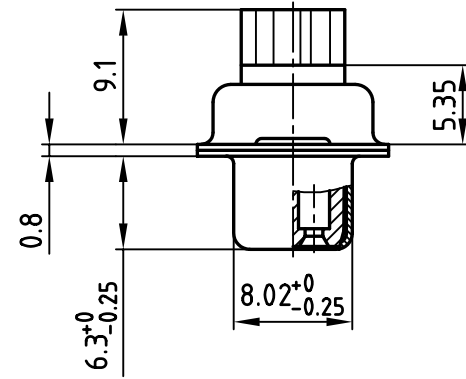
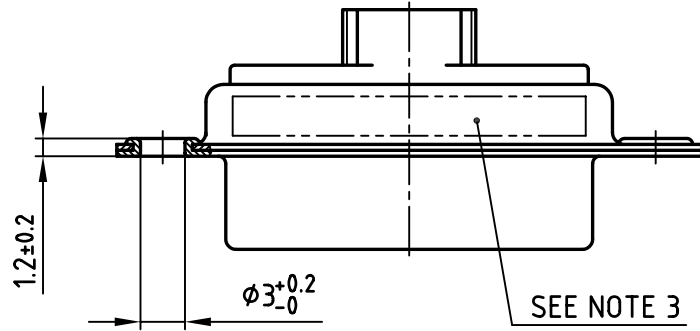
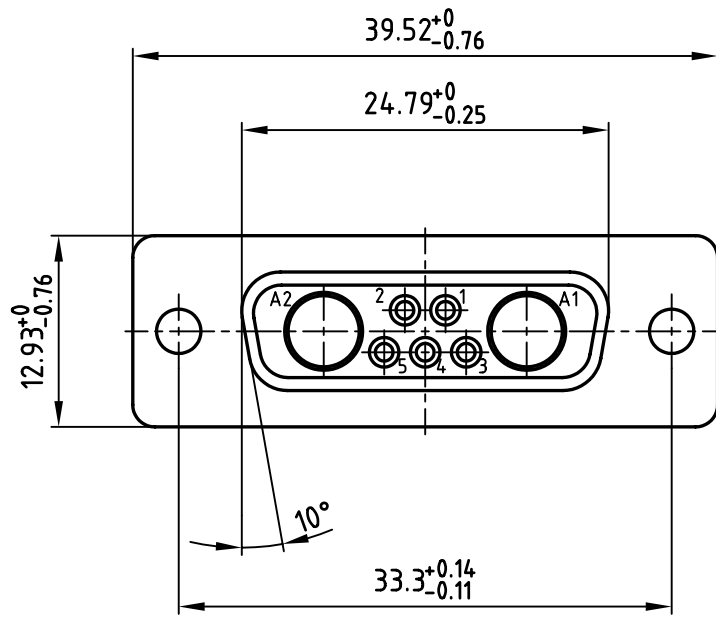


used for: D-SUB COMBINATION CRIMP



PART NO.
3007W2SXK99A10X
CFL7W2S7-K121

Directive 2002/95/EC
„RoHS“
Compliant

NOTES:

1. METALSHELLS: STEEL; min. 320µin TIN
2. INSULATORS: PBT GF UL 94 V-0, BLACK
3. CONNECTOR IS PART MARKED: PART NO. CONEC ABC

APPROVAL # FREIGABE # DEBLOCAGE # AUTORIZACION # APPROVAL	
CUSTOMER APPROVAL DATE:	
NAME:	TITLE:
COMPANY NAME:	
APPROVAL # FREIGABE # DEBLOCAGE # AUTORIZACION # APPROVAL	

THIS DRAWING MAY NOT BE COPIED OR REPRODUCED IN ANY WAY, AND MAY NOT BE PASSED ON TO A THIRD PARTY WITHOUT WRITTEN PERMISSION.
OWNERSHIP AND COPYRIGHT OF CONEC GmbH
DO NOT ALTER CAD DRAWING BY HAND

rev.	description	date	name

tolerance	dim. in mm	scale: 2:1	material: SEE NOTES
2001	date	name	title: D-SUB COMBINATION FEMALE CRIMP STYLE 7W2S
drawn	31.10.	Parei	
appd.	31.10.	Mickenbecker	
norm			dwg no: AutoCAD 2000 13K1A386A DIN-A 3 sh:1/1
d-old			
part no: SEE TABLE		CONEC®	