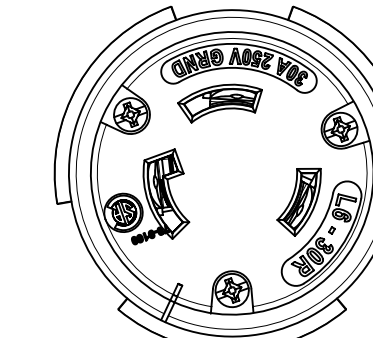
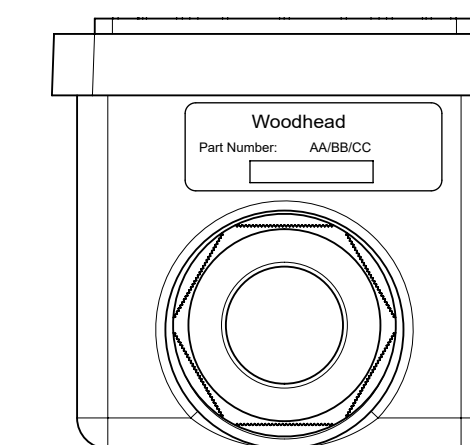
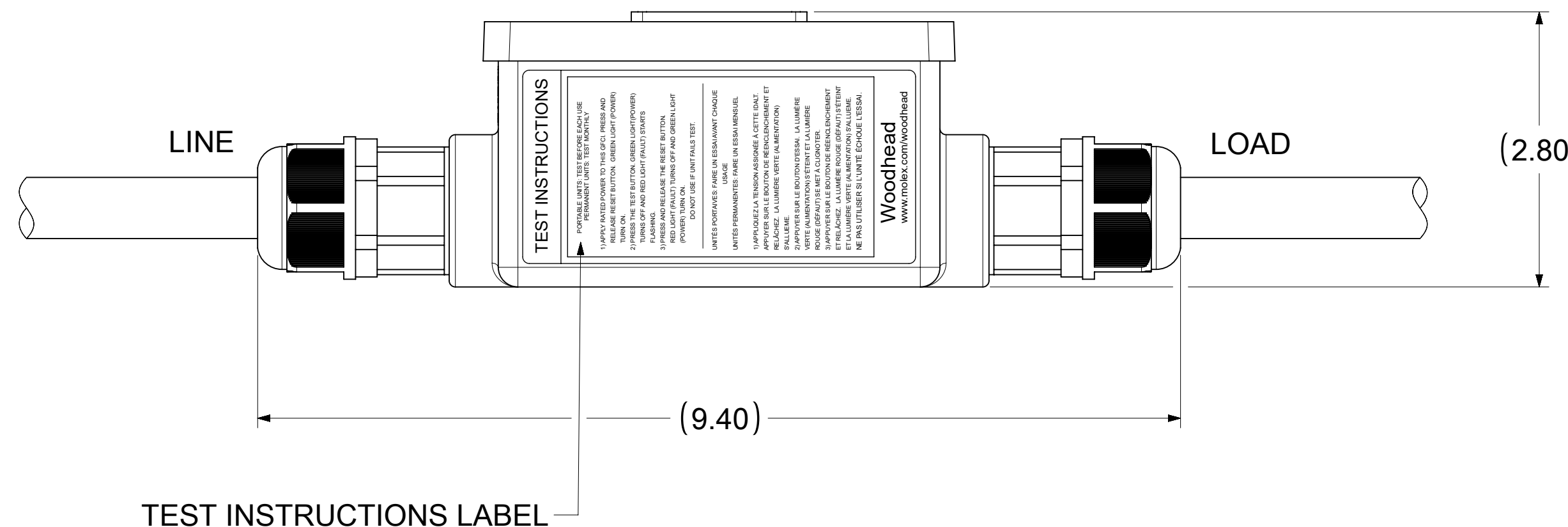
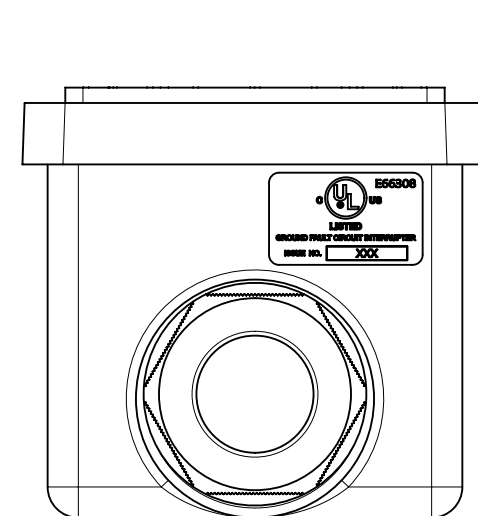
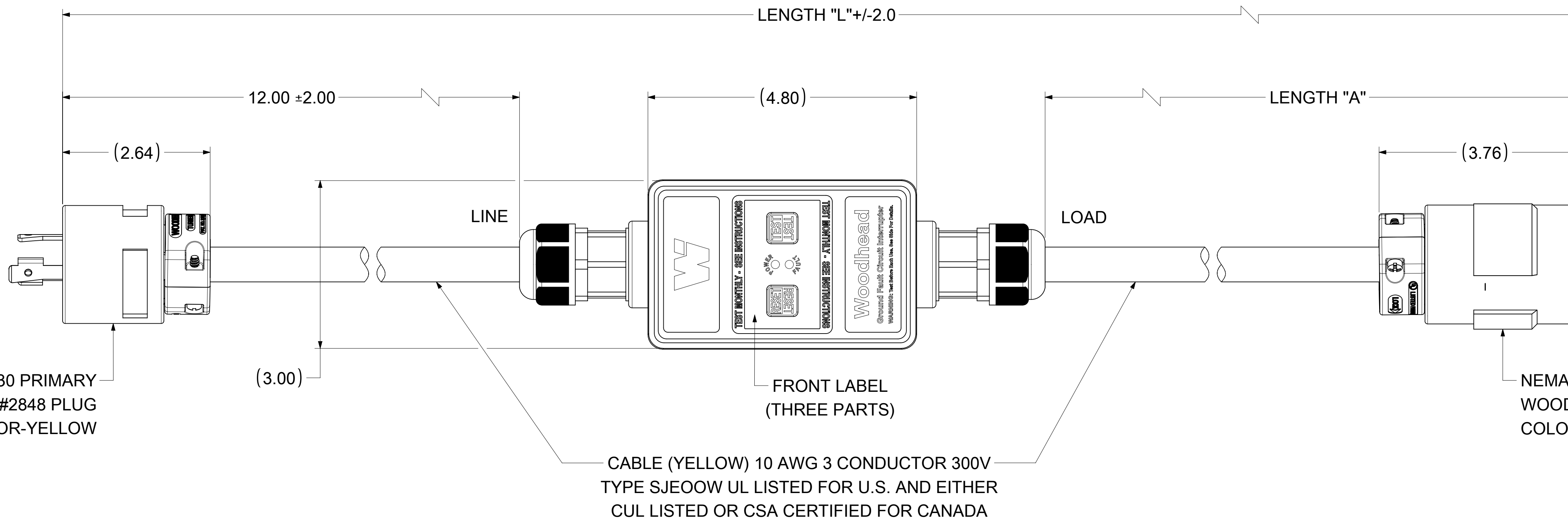


NEMA L6-30 PRIMARY
WOODHEAD #2848 PLUG
COLOR-YELLOW



NEMA L6-30 SECONDARY
WOODHEAD #2948 CONNECTOR
COLOR-YELLOW



TECHNICAL

LISTED: UL & CSA
 RATED SUPPLY VOLTAGE: 240VAC
 RATED CURRENT: UP TO 30 AMPS
 RESET TYPE: AUTOMATIC OR MANUAL
 OPERATING FREQUENCY: 60 Hz
 TYPE: CLASS A
 GROUND TRIP CURRENT: 5mA +/- 1mA
 OVERLOAD CURRENT: 180 AMPS, 0.45PF
 INSULATION VOLTAGE: 1,500 VRMS - 1 MINUTE
 ENDURANCE OPERATIONS: 3000 OPERATIONS
 ENCLOSURE: NEMA 4X/6P

MATERIAL NO.	ENGINEERING NO.	LENGTH "L"	LENGTH "A"	POWER-UP
1301530184	30053-1A	2 FT 9.4 IN.	1 FT	AUTO
1301530190	30053-6A	7 FT 9.4 IN.	6 FT	AUTO
1301530187	30053-25A	26 FT 9.4 IN.	25 FT	AUTO
1301530185	30053-1M	2 FT 9.4 IN.	1 FT	MANUAL
1301530191	30053-6M	7 FT 9.4 IN.	6 FT	MANUAL
1301530188	30053-25M	26 FT 9.4 IN.	25 FT	MANUAL

FUNCTIONAL SYMBOLS FA = 0 FC = 0 FD = 0	THIS DRAWING CONTAINS INFORMATION THAT IS PROPRIETARY TO MOLEX ELECTRONIC TECHNOLOGIES, LLC AND SHOULD NOT BE USED WITHOUT WRITTEN PERMISSION		CURRENT REV DESC: NEW SALES DRAWING CREATED	
	DIMENSION UNITS INCH	SCALE NTS	 30A/240V GFCI AUTO 2FT SUPER-SAFEWAY NEMA L6 PRODUCT CUSTOMER DRAWING	
GENERAL TOLERANCES (UNLESS SPECIFIED) ANGULAR TOL ± °		EC NO: 666699		
DIVISIONAL SYMBOLS 4 PLACES ± 3 PLACES ± 2 PLACES ± 1 PLACE ± 0 PLACES ±	DRAFT WHERE APPLICABLE MUST REMAIN WITHIN DIMENSIONS		DRWN: DNGUYEN62 2021/08/16	DOC PART: 000
	THIRD ANGLE PROJECTION		APPR: HKNEELAND 2021/08/17	REVISION: A
D-DRAWING		SERIES: 130153	MATERIAL NUMBER: SEE TABLE	CUSTOMER: GENERAL MARKET
		SHEET NUMBER: 1 OF 1		