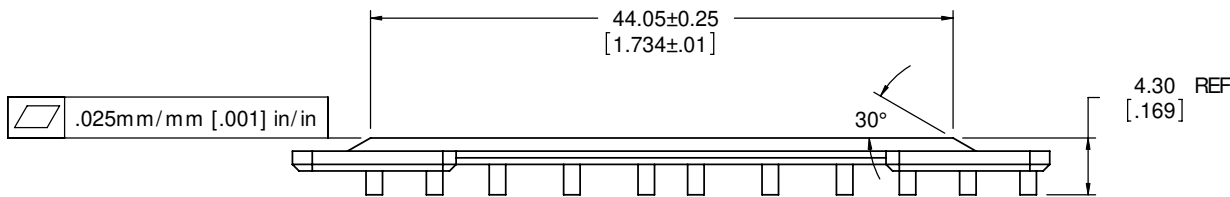
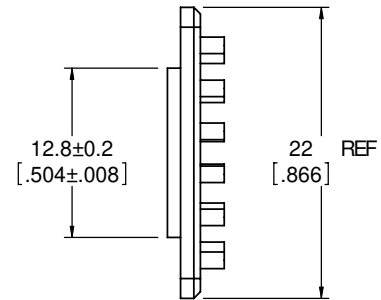
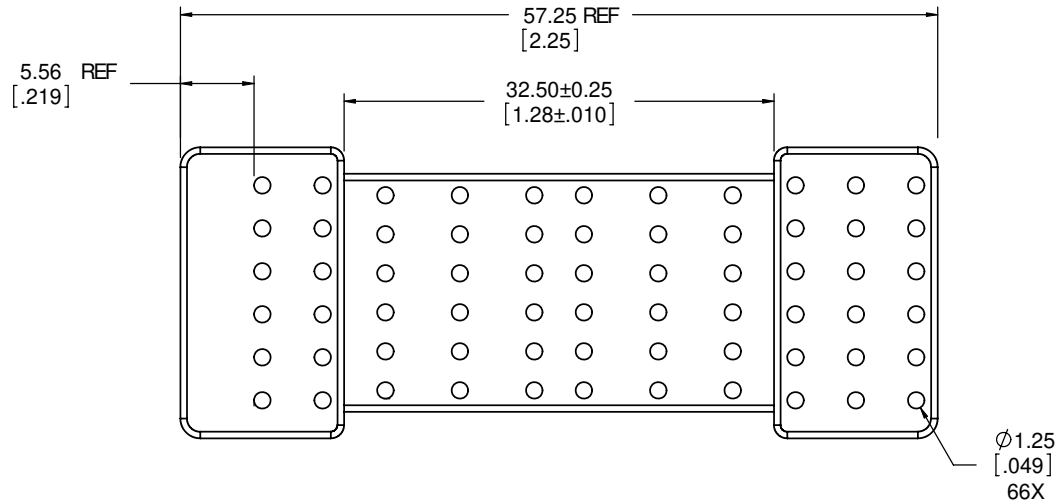
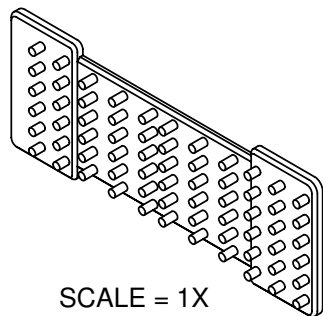


REVISION(S)			
LTR	DESCRIPTION	INIT	APP'D
1	PRELIMINARY	E.T 12/5/03	A.M 12/05/03
2	ERN: 110638	E.T 1/29/2004	A.M 01/29/04
3	ERN: 110651	E.T 02/17/04	A.M 02/17/04
A	ECN: 0S60-0089-04	E.T 04/07/04	S.D 04/07/04
B	ECR-06-014175-06	E.T 6/14/06	V.K 6/14/06
B1	ECO-08-009199	E.T 4/14/08	B.P 4/15/08
B2	ECO-09-003897	E.T 2/17/09	B.S 2/17/09



NOTES:

- UNLESS OTHERWISE SPECIFIED
- 1. INTERPRET DRAWING PER ASME Y14.5M - 1994
- 2. RoHS COMPLIANT AND CERTIFIED.



SCALE = 1X

CUSTOMER DRAWING

SPECIFICATIONS ARE SUBJECT TO CHANGE WITHOUT NOTICE

DO NOT SCALE	Tyco Electronics North Attleboro, Massachusetts 02763			CONFIDENTIAL PROPERTY OF TYCO ELECTRONICS NOT TO BE DISCLOSED TO OTHERS REPRODUCED OR USED FOR ANY PURPOSES EXCEPT AS AUTHORIZED IN WRITING BY AN AUTHORIZED OFFICIAL OF T.E. MUST BE RETURNED TO T.E. ON DEMAND, ON COMPLETION OF ORDERS OR OTHER PURPOSES FOR WHICH INT.		TITLE: XFP. MSA SAN APPLICATION HEATSINK		
	UNLESS OTHERWISE SPECIFIED TO LEFANCES ARE:		DRAWN BY: ETAO			DATE: 12/5/03		
	X.X ± .2 X.XX ± .10 X.XXX ± .08 ANGLES ± 5°		ENGINEER: A.M		DATE: 12/5/03		MATERIAL: 6063-T5 ALLUM.	
	FINISH: ELECTROLESS NICKEL		FILENAME		PROJECT		SYSTEM	
DIMENSIONS ARE IN: MILLIMETERS		SCALE: 2:1		PART NO.:		SHEET: 1 OF 1		
FINF ANGLE PROJECTION		SIZE: A		DWG. NO.:		REV.:		
				1542802-2		C-1542802		
				B2				