

**Features**

May 2006

- AAL2 Segmentation Reassembly device capable of simultaneously processing up to 1023 active CIDs (AAL2 Channel Identifier) and 1023 active VCs (Virtual Circuits)
- Support for up to 255 CIDs per VC. Maximum of 1023 CIDs
- Implements AAL2 Common Part Sub-layer (CPS) functions specified in ITU I.363.2
- Implements AAL2 Service Specific Convergence Sub-layer (SSCS) functions for G.711 PCM and G.726 ADPCM voice
- Supports 44-byte PCM or ADPCM packet profiles specified in AF-VMOA-0145.00
- CPS packet payload can support up to 64-bytes
- Supports over-subscription of 10:1
- H.100/H.110 compatible TDM bus for PCM or ADPCM data. Supports both master and slave TDM bus clock operation

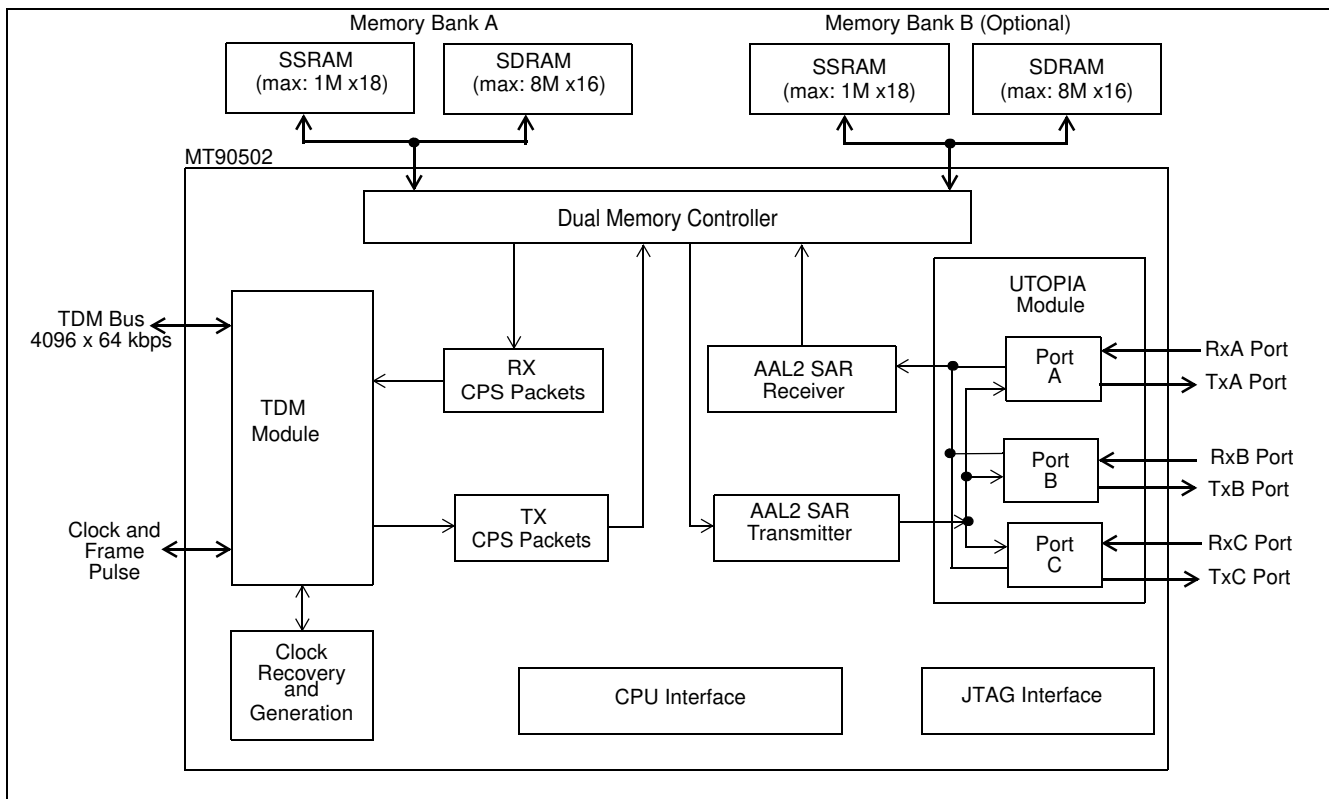
**Ordering Information**

MT90502AG	456 PBGA	Trays
MT90502AG2	456 PBGA**	Trays

\*\*Pb Free Tin/Silver/Copper

**0 to +70°C**

- TDM bus also supports compressed voice such as ITU G.723, G.728 and G.729 through HDLC encapsulation
- Three UTOPIA Level 1 ports configurable as PHY or ATM allowing for connection to an external AAL5 SAR processor, or for chaining multiple MT90502 devices. Ports A & B are configurable as a single 8-bit UTOPIA Level 2 PHY port with 5 ADDR lines
- UTOPIA module provides a cell switching function with a header translation
- Performs silence suppression for PCM and ADPCM


**Figure 1 - MT90502 Functional Block**

- Comfort noise generation
- Capability to inject and recover CPS packets through the CPU host processor bus
- 8-bit or 16-bit microprocessor port, configurable to Motorola or Intel timing
- Single rail 3.3 V, 456 PBGA
- IEEE 1149 (JTAG) interface

## Applications

- Gateway
- ATM Edge Switch
- Next Generation Digital Loop Carrier
- Multiservice Switching Platform
- 3rd Generation Mobile System Equipment

## Description

The MT90502 Multi-Channel AAL2 SAR bridges a standard TDM (Time Division Multiplexed) backplane to a standard ATM (Asynchronous Transfer Mode) bus. The device provides the CPS (Common Part Sublayer) and SAR (Segmentation and Reassembly) engines. The MT90502 has the capability of simultaneously processing 1023 bi-directional CIDs (AAL2 Channel Identifiers) and 1023 bi-directional VCs (Virtual Circuits). The device can be connected directly to an H.110 compatible bus. The TDM bus consists of 32 bi-directional serial data streams operating at 2.048, 4.096, or 8.192 Mbits/s.

The MT90502 directly accepts G.711 PCM (Pulse Code Modulation) and G.726 ADPCM (Adaptive Differential Pulse Code Modulation) traffic for packetisation. For these two data formats, the device also implements silence suppression and comfort noise generation. To support other voice compression algorithms, the MT90502 connects directly to commercially available DSPs through synchronous serial data streams. The Variable Bit Rate (VBR) traffic is HDLC encapsulated and carried over the serial data streams.

The interface to the ATM domain is provided by three UTOPIA Level 1 ports (Ports A, B, and C). All three of the UTOPIA ports can operate in ATM (master) or PHY (slave) mode. Ports A and B combined, architects a compliant UTOPIA Level 2 Multi-PHY port. The MT90502 provides the capability of routing ATM cells to different UTOPIA interfaces, SAR engine or CPU. This feature can be used to connect another MT90502 (to support up to 2046 CID channels or 2046 phone calls) and/or to connect an external AAL1 and/or AAL5 SAR.

## Table of Contents

<b>1.0 Pin-out</b>	<b>13</b>
1.1 Pin Description Tables	14
<b>2.0 Functional Description</b>	<b>21</b>
2.1 CPU Interface	21
2.1.1 CPU Interrupts	21
2.1.1.1 Example Interrupt Flow	21
2.1.2 Intel/Motorola Interface	22
2.1.2.1 Extended Indirect Accessing	24
2.1.2.2 Extended Direct Accessing	25
2.1.3 MT90502 Reset Procedure	26
2.2 TDM Transmission	26
2.2.1 Low-Latency Loopback Channels	28
2.2.2 Treatment of PCM/ADPCM Data	28
2.2.2.1 CPS-Packet Length	30
2.2.2.2 TDM Data Formats	30
2.2.2.3 Phase Alignment	36
2.2.2.4 PCM/ADPCM CPS-Packet Assembly Structure	38
2.2.3 Treatment of HDLC Data	39
2.2.3.1 HDLC Streams	39
2.2.3.2 Address Bytes	39
2.2.3.3 Control Bytes and Length	41
2.2.3.4 "Raw" AAL2 CPS-Packets	41
2.2.4 CPS-Packet Final Assembly	42
2.2.4.1 CPU CPS-Packets	43
2.2.4.2 CPS-Packet Descriptor Queue	45
2.2.4.3 TDM Frame Buffer	46
2.3 TX SAR	47
2.3.1 Overview	47
2.3.2 AAL2 Cell Assembly Process	47
2.3.2.1 AAL2 Cell Assembly Procedure	49
2.3.3 AAL0 Cells	51
2.4 RX SAR	51
2.4.1 RX AAL2 VC Structure	52
2.4.2 CID Structure	53
2.4.3 CPS-Packet Disassembly Structures	53
2.4.4 CPS-Packet Loss Compensation	60
2.4.5 CPU CPS-Packets	60
2.4.6 Treatment of Data Cells	61
2.4.7 Errors and Events	61
2.5 TDM Reception	64
2.5.1 Overview	64
2.5.2 RX Channel Association Memory	65
2.5.3 RX Channel Underrun Condition	65
2.5.4 Compression	67
2.5.5 HDLC	68
2.6 UTOPIA	70
2.6.1 Overview	70
2.6.2 UTOPIA Interfaces	71
2.6.3 LED Operation	71
2.6.4 Errors on Received Cells	71
2.6.5 Cell Routing	72
2.6.5.1 Mask & Match Process	72

## Table of Contents

2.6.5.2 Look-Up Tables Entries	73
2.6.5.3 LUT Addressing	74
2.6.6 UTOPIA Clocks	75
2.6.7 External Interface Signals	77
2.6.8 UTOPIA Flow Control	77
2.7 H.100/H.110 Interface	77
2.7.1 Overview	77
2.7.2 Bus Signalling	78
2.7.3 H.100/H.110 Slave	78
2.7.4 Operating as a Slave	79
2.7.5 Operating as a Master	79
2.7.6 H.100/H.110 Clock Selection Guide	81
2.8 Clock Recovery	83
2.8.1 Overview	83
2.8.1.1 Adaptive Clock Recovery Modules	83
2.8.1.2 Multiplexers	83
2.8.2 Adaptive Clock Recovery Modules	83
2.8.2.1 adapx_ref Clock Generation	86
2.8.3 Multiplexers	86
2.9 Silence Suppression	91
2.9.1 Overview	91
2.9.2 Simple Silent Suppression	91
2.9.2.1 Silent Bit Indication	91
2.9.2.2 Last Byte Indication	91
2.9.2.3 Match and Mask Determines Silence	91
2.9.3 Complex Silent Suppression	92
2.9.3.1 Complex Silent Suppression Operation	93
2.9.3.2 CPS-Packet Silence State	94
2.9.4 Voice/Silence Timer	97
2.10 HDLC	101
2.10.1 HDLC Overview	101
2.10.2 HDLC Format	101
2.10.3 HDLC Bit-Wise Format	104
2.10.4 HDLC Byte-Wise Format	104
2.11 Memory	104
2.11.1 Memory Map	104
2.11.2 Memory Structures	105
2.11.3 Mem_Clk and Upclk	110
2.11.4 Memory Controller	111
2.11.4.1 Overview	111
2.11.4.2 Functionality	111
2.11.5 Initializing SSRAM and SDRAM	111
2.11.6 Memory Configuration	111
<b>3.0 Register List</b>	<b>114</b>
3.1 CPU Register	114
3.2 Main Registers	118
3.3 TX Registers	133
3.4 RX Registers	134
3.5 TX TDM Registers	140
3.6 UTOPIA Registers	145
3.7 H.100/H.110 Registers	162
3.8 Miscellaneous Registers	178

---

## Table of Contents

3.9 RX TDM Registers. . . . .	181
<b>4.0 Electrical Specification . . . . .</b>	<b>183</b>
4.1 DC Characteristics. . . . .	183
4.2 AC Characteristics. . . . .	185
4.3 Intel/Motorola Interface . . . . .	185
4.3.1 UTOPIA Interface. . . . .	195
4.3.2 External Memory Interface. . . . .	196
4.3.3 H.100/H.110 Interface . . . . .	197
<b>5.0 Glossary of Terminology. . . . .</b>	<b>201</b>
5.1 Standard Terms and Abbreviations. . . . .	201
5.2 Terms Specific to AAL2. . . . .	202
5.3 Terms Specific to this Specification. . . . .	202
5.4 Register Types . . . . .	203
5.5 Units and Conventions . . . . .	203
<b>6.0 Mechanical Drawing . . . . .</b>	<b>204</b>

## List of Figures

Figure 1 - MT90502 Functional Block	1
Figure 2 - 456 PBGA	13
Figure 3 - TX Cell Flow	27
Figure 4 - TX Channel Association Memory (TX CAM)	29
Figure 5 - TX CPS-Packet Circular Buffers	30
Figure 6 - PCM/ADPCM Data Format A	31
Figure 7 - PCM/ADPCM RX Data Format A	32
Figure 8 - PCM/ADPCM TX Data Format A	33
Figure 9 - PCM/ADPCM Data Format B	34
Figure 10 - PCM/ADPCM RX Data Format B	35
Figure 11 - PCM/ADPCM TX Data Format B	36
Figure 12 - PCM/ADPCM CPS-Packet Assembly Structure	38
Figure 13 - HDLC CPS-Packet Assembly Structure	40
Figure 14 - HDLC CPS-Packet Assembly Structure	41
Figure 15 - CPS-Packet Final Assembly Structure (PCM/ADPCM)	42
Figure 16 - CPS-Packet Final Assembly Structure (HDLC Channel)	43
Figure 17 - CPS-Packet Descriptor Queue	45
Figure 18 - TDM Frame Buffer	46
Figure 19 - TX AAL2 VC Structure	47
Figure 20 - Cell Assembly Event Queue	50
Figure 21 - TX Cell Format	50
Figure 22 - RX AAL2 VC Structure	52
Figure 23 - RX CID Structure	53
Figure 24 - CPS-Packet Disassembly Structure (PCM/ADPCM)	54
Figure 25 - CPS-Packet Disassembly Structure (HDLC Format)	57
Figure 26 - Format of RX Circular Buffer	60
Figure 27 - RX Error Report FIFO Structures	62
Figure 28 - RX Cell Flow	64
Figure 29 - RX Channel Association Memory (RX CAM)	65
Figure 30 - RX TDM Control Memory Structure (PCM/ADPCM channels)	66
Figure 31 - RX TDM Control Memory Structure (HDLC Streams)	67
Figure 32 - CPS-Packet Descriptor Queue Pointers Structure (HDLC Streams)	68
Figure 33 - CPS-Packet Descriptor Queue Structures (HDLC Streams)	69
Figure 34 - SAR and UTOPIA Block	70
Figure 35 - RX Cell Format	72
Figure 36 - Mask & Match Example	73
Figure 37 - SDRAM Mapping - Look-Up Tables Structure	74
Figure 38 - VPI/VCI Concatenation and LUT Entry Address Example	75
Figure 39 - UTOPIA Clocks Selection	76
Figure 40 - External UTOPIA Interface	77
Figure 41 - TDM Bus Timing - Fr_Comp Generation	79
Figure 42 - TDM Bus Timing - sclcx2 Generation	80
Figure 43 - TDM Bus Timing - Compatibility Clock Generation (other than sclcx, sclcx2)	80
Figure 44 - Fast Clock Generation	81
Figure 45 - H.100/H.110 PLL Clock Selection	82
Figure 46 - Adaptive Clock Recovery Event Information	84
Figure 47 - Adaptive Clock Recovery Modules	85
Figure 48 - Message Channel	86

---

## List of Figures

Figure 49 - GPIO Functionality	87
Figure 50 - Simple Silent Suppression Stream Configuration	91
Figure 51 - Silent Suppression Mask & Match Example	92
Figure 52 - Complex Silent Suppression Configurable State Graph	92
Figure 53 - PCM Law Table	93
Figure 54 - Complex Silent Suppression Stream Configuration	94
Figure 55 - ADPCM Complex Silent Suppression Stream Configuration	94
Figure 56 - SID Byte to Silence Buffer Structure	95
Figure 57 - SSRAM Tone Buffer Control Memory	96
Figure 58 - Silent Tone Buffer Pair in TX SSRAM	96
Figure 59 - Null Bytes in Tone Data Buffer Memory	96
Figure 60 - 32 SDRAM Silence Buffers	97
Figure 61 - Silent Suppression PCM/ADPCM CPS-Packet Assembly Structures	98
Figure 62 - CPS-Packet Final Assembly Structure (Simple Silence Suppression)	99
Figure 63 - CPS-Packet Final Assembly Structure (Complex Silence Suppression)	100
Figure 64 - Supported HDLC Formats	102
Figure 65 - TX SSRAM Memory Mapping for Fixed Structures	107
Figure 66 - RX SSRAM Memory Mapping for Fixed Structures	108
Figure 67 - SDRAM Memory Map for 512 & 1023 Channels	109
Figure 68 - SDRAM Memory Map for 128 and 256 Channels	110
Figure 69 - Typical SSRAM Application Circuit	112
Figure 70 - Typical SDRAM Application Circuit	113

## List of Tables

Table 1 - CPU Bus Interface	14
Table 2 - UTOPIA Interface Pins	14
Table 3 - H.100/H.110 Interface Pins	17
Table 4 - Memory Interface Pins	18
Table 6 - JTAG Pins	19
Table 8 - VSS (0 V) Pins	19
Table 9 - VDD3 (3.3 V) Pins	19
Table 10 - VDD5 (3.3 V or 5.0 V) Pins	19
Table 5 - Miscellaneous Pins	19
Table 11 - Not Connected (Leave Floating) Pins	20
Table 12 - Pinout Summary	20
Table 13 - CPU Interface Mode Selection	23
Table 14 - Control Register (000h)	23
Table 15 - Read/Write Data Register (004h)	24
Table 16 - Address High Register (008h)	24
Table 17 - Address Low Register (00Ah)	24
Table 18 - XPI Selection Table	37
Table 19 - Format for writing CPS-Packet payload to memory	43
Table 20 - Example of Written Payload Bytes	44
Table 21 - AAL2 VC Structure Fields	48
Table 22 - CPS-Packet Disassembly Structure (PCM/ADPCM) Fields	54
Table 23 - CPS-Packet Disassembly Structure (HDLC format) Fields	58
Table 24 - RX SAR Errors and Events	63
Table 25 - UTOPIA Clocks Selection Registers	76
Table 26 - CT-Bus Signalling Function	78
Table 27 - Fast Clock PLL Divisor Values	81
Table 28 - Fast Clock Registers	81
Table 29 - H.100/H110 PLL Clock Selection Registers	82
Table 30 - Clock Recovery Registers	88
Table 31 - Buffer Sizes	90
Table 32 - GPIO mux, Output Selection	90
Table 33 - HDLC Packet Formats and Header Types	103
Table 34 - MT90502 Memory Map	104
Table 35 - CPU Control Register	114
Table 36 - CPU Status Register	114
Table 38 - Mem_clk Frequency Control Register	115
Table 39 - Upclk Frequency Control Register	115
Table 37 - CPU Interrupt Enable Register	115
Table 41 - Fast Clock PLL Configuration Register 0	116
Table 40 - LED Timing Control Register	116
Table 43 - H100/H110 PLL Configuration Register 0	117
Table 44 - ID Register	117
Table 42 - Fast Clock PLL Configuration Register 1	117
Table 45 - Main Status Register	118
Table 46 - Main Interrupt Enable Register	119
Table 47 - Interrupt Flag Register	120
Table 48 - Minimum Interrupt Interval Register	121
Table 49 - Interrupt Polarity & O/P Enable Register	121



## List of Tables

Table 50 - Interrupt 1 Enable Register . . . . .	121
Table 51 - Interrupt 2 Enable Register . . . . .	122
Table 52 - Tx A Clock Division Register . . . . .	123
Table 53 - Tx B Clock Division Register . . . . .	124
Table 54 - Tx C Clock Division Register . . . . .	125
Table 55 - Rx A Clock Division Register . . . . .	126
Table 56 - Rx B Clock Division Register . . . . .	127
Table 57 - Rx C Clock Division Register . . . . .	128
Table 58 - Memory Parity Register 0 . . . . .	129
Table 59 - Memory Parity Register 1 . . . . .	129
Table 61 - Memory Configuration Register 0 . . . . .	130
Table 62 - Memory Configuration Register 1 . . . . .	130
Table 60 - Memory Parity Register 2 . . . . .	130
Table 63 - SDRAM Configuration Register 0 . . . . .	131
Table 64 - SDRAM Configuration Register 1 . . . . .	131
Table 65 - SDRAM Configuration Register 2 . . . . .	131
Table 66 - SDRAM Configuration Register 3 . . . . .	132
Table 67 - SDRAM Configuration Register 4 . . . . .	132
Table 68 - SDRAM Configuration Register 5 . . . . .	132
Table 69 - TX Control Register . . . . .	133
Table 70 - TX Status Register . . . . .	133
Table 72 - TX AAL0 Monitor Register . . . . .	134
Table 73 - RX Control Register . . . . .	134
Table 71 - TX Interrupt Enable Register . . . . .	134
Table 75 - RX Interrupt Enable Register . . . . .	135
Table 76 - PCM Silent Pattern Register . . . . .	135
Table 74 - RX Status Register . . . . .	135
Table 77 - CRC Configuration Register 0 . . . . .	136
Table 78 - CRC Configuration Register 1 . . . . .	136
Table 79 - AAL0 FIFO Management Register . . . . .	136
Table 80 - AAL0 Read Pointer Register . . . . .	136
Table 81 - AAL0 Write Pointer Register . . . . .	137
Table 82 - Error Management Register . . . . .	137
Table 83 - Error Write Pointer Register . . . . .	137
Table 85 - CPU Management Register 0 . . . . .	138
Table 86 - CPU Management Register 1 . . . . .	138
Table 87 - AAL0 Timeout Period (High Word) Register . . . . .	138
Table 84 - Error Read Pointer Register . . . . .	138
Table 88 - AAL0 Timeout Period (Low Word) Register . . . . .	139
Table 89 - Error Timeout Period (High Word) Register . . . . .	139
Table 90 - Error Timeout Period (Low Word) Register . . . . .	139
Table 91 - AAL0 & Error Treated Register . . . . .	139
Table 92 - TX TDM Control Register . . . . .	140
Table 93 - TDM TX Status Register . . . . .	140
Table 94 - TDM TX Interrupt Enable Register . . . . .	142
Table 95 - Silent Pattern Detection Match Register A . . . . .	143
Table 96 - Silent Pattern Detection Match Register B . . . . .	143
Table 97 - TDM Pointer Monitor Register . . . . .	143

## List of Tables

Table 98 - CPU CPS-Packet Register 0	143
Table 99 - CPU CPS-Packet Register 1	144
Table 100 - CPU CPS-Packet Register 2	144
Table 101 - CPU CPS-Packet Register 3	144
Table 102 - UTOPIA Control Register 1	145
Table 103 - UTOPIA Status Register 0	146
Table 104 - UTOPIA Interrupt Enable Register 0	147
Table 105 - UTOPIA Status Register 2	148
Table 106 - UTOPIA Interrupt Enable Register 2	148
Table 107 - UTOPIA Control Register 2	148
Table 108 - Lost Cells Counter	149
Table 109 - General Purpose I/O Register 0	149
Table 110 - Port A LUT Base Address Register	149
Table 111 - Port A VCI Bits in LUT	150
Table 112 - Port A VPI Match Register	150
Table 113 - Port A VPI Mask Register	150
Table 114 - Port A VCI Match Register	150
Table 115 - Port A VCI Mask Register	151
Table 116 - Port A Overflow Register 0	151
Table 117 - Port A Overflow Register 1	151
Table 118 - Port A Cell Arrival Counter (High Word)	151
Table 119 - Port A Cell Arrival Counter (Low Word)	152
Table 120 - Port A Cell Departure Counter (High Word)	152
Table 121 - Port A Cell Departure Counter (Low Word)	152
Table 122 - Port B LUT Base Address Register	152
Table 123 - Port B VCI Bits in LUT	152
Table 124 - Port B VPI Match Register	153
Table 125 - Port B VPI Mask Register	153
Table 126 - Port B VCI Match Register	153
Table 127 - Port B VCI Mask Register	153
Table 128 - Port B Overflow Register 0	154
Table 129 - Port B Overflow Register 1	154
Table 130 - Port B Cell Arrival Counter (High Word)	154
Table 131 - Port B Cell Arrival Counter (Low Word)	154
Table 132 - Port B Cell Departure Counter (High Word)	155
Table 133 - Port B Cell Departure Counter (Low Word)	155
Table 134 - Port C LUT Base Address Register	155
Table 135 - Port C VCI Bits in LUT	155
Table 137 - Port C VPI Mask Register	156
Table 138 - Port C VCI Match Register	156
Table 139 - Port C VCI Mask Register	156
Table 136 - Port C VPI Match Register	156
Table 140 - Port C Overflow Register 0	157
Table 141 - Port C Overflow Register 1	157
Table 142 - Port C Cell Arrival Counter (High Word)	157
Table 143 - Port C Cell Arrival Counter (Low Word)	157
Table 144 - Port C Cell Departure Counter (High Word)	158
Table 145 - Port C Cell Departure Counter (Low Word)	158

## List of Tables

Table 146 - AAL0 Cell Arrival Counter (High Word) . . . . .	158
Table 147 - AAL0 Cell Arrival Counter (Low Word) . . . . .	158
Table 148 - AAL0 Overflow Register 0 . . . . .	158
Table 149 - AAL0 Overflow Register 1 . . . . .	159
Table 150 - TX_SAR Cell Arrival Counter (High Word) . . . . .	159
Table 151 - TX_SAR Cell Arrival Counter (Low Word) . . . . .	159
Table 153 - RX_SAR Cell Departure Counter (Low Word) . . . . .	160
Table 154 - TX_SAR Overflow Register 0 . . . . .	160
Table 155 - TX_SAR Overflow Register 1 . . . . .	160
Table 152 - RX_SAR Cell Departure Counter (High Word) . . . . .	160
Table 156 - Port A Address Register . . . . .	161
Table 157 - HEC Byte Control Register . . . . .	161
Table 158 - Unknown Header Routing Register . . . . .	161
Table 160 - H.100/H.110 Control Register . . . . .	162
Table 159 - Unknown OAM Routing Register . . . . .	162
Table 161 - H.100/H.110 Status Register 0 . . . . .	163
Table 162 - H.100/H.110 Interrupt Enable Register 0 . . . . .	164
Table 164 - Memory Clock Counter 1 . . . . .	165
Table 165 - Memory Clock Alarm Register 0 . . . . .	165
Table 166 - Memory Clock Alarm Register 1 . . . . .	165
Table 167 - Adaptive Module A Register 0 . . . . .	165
Table 163 - Memory Clock Counter 0 . . . . .	165
Table 168 - Adaptive Module A Register 1 . . . . .	166
Table 169 - Adaptive Module A Register 2 . . . . .	166
Table 170 - Adaptive Module B Register 0 . . . . .	167
Table 171 - Adaptive Module B Register 1 . . . . .	167
Table 172 - Adaptive Module B Register 2 . . . . .	167
Table 174 - H.100/H.110 Master Register 1 . . . . .	168
Table 173 - H.100/H.110 Master Register 0 . . . . .	168
Table 175 - Clock Rates Register . . . . .	169
Table 176 - Timing Configuration Register . . . . .	169
Table 177 - General Purpose I/O Output Register 0 . . . . .	170
Table 178 - General Purpose I/O Output Register 1 . . . . .	171
Table 179 - General Purpose I/O Output Register 2 . . . . .	172
Table 180 - General Purpose I/O Output Register 3 . . . . .	173
Table 182 - General Purpose I/O Input Register . . . . .	174
Table 181 - General Purpose I/O Output Register 4 . . . . .	174
Table 183 - General Purpose I/O Status Register . . . . .	175
Table 185 - H.100/H.110 Master Hidden Register 0 . . . . .	176
Table 184 - General Purpose I/O Status Interrupt Enable Register . . . . .	176
Table 186 - H.100/H.110 Master Hidden Register 1 . . . . .	177
Table 187 - H.100/H.110 Master Hidden Register 2 . . . . .	177
Table 188 - Miscellaneous Status Register . . . . .	178
Table 189 - Miscellaneous Interrupt Enable Register . . . . .	178
Table 190 - Tone Buffer Control Register . . . . .	178
Table 191 - Point A Buffer Management Register . . . . .	179
Table 192 - Point A Read Pointer Register . . . . .	179
Table 193 - Point A Write Pointer Register . . . . .	179

## List of Tables

Table 194 - Point B Buffer Management Register .....	179
Table 195 - Point B Read Pointer Register .....	180
Table 196 - Point B Write Pointer Register .....	180
Table 197 - CID Base Address Register .....	180
Table 198 - RX TDM Control Register .....	181
Table 199 - RX TDM Status Register 0 .....	181
Table 200 - RX TDM Interrupt Enable Register 0 .....	182
Table 201 - RX TDM Channel Number Monitor Register .....	182
Table 202 - Non-Multiplexed CPU Interface - Intel Mode - Write Access .....	185
Table 203 - Non-Multiplexed CPU Interface - Intel Mode - Read Access .....	186
Table 204 - Non-Multiplexed CPU Interface - Motorola Mode .....	189
Table 205 - t5 Read Access Times .....	190
Table 206 - Multiplexed CPU Interface - Intel Mode - Write Access .....	191
Table 207 - Multiplexed CPU Interface - Intel Mode - Read Access .....	192
Table 208 - Multiplexed CPU Interface - Motorola Mode - Write Access .....	193
Table 209 - Multiplexed CPU Interface - Motorola Mode - Read Access .....	194
Table 210 - UTOPIA Timing .....	195
Table 211 - External Memory Timing .....	196
Table 212 - H.100/H.110 Timing - H.100 Input Sampling .....	197
Table 214 - H.100/H.110 Timing - H.100 Frame Sampling .....	198
Table 213 - H.100/H.110 Timing - H.100 Output .....	198
Table 215 - H.100/H.110 Message Timing .....	199
Table 216 - H.100/H.110 Clock Skew Table .....	200

1.0 Pin-out

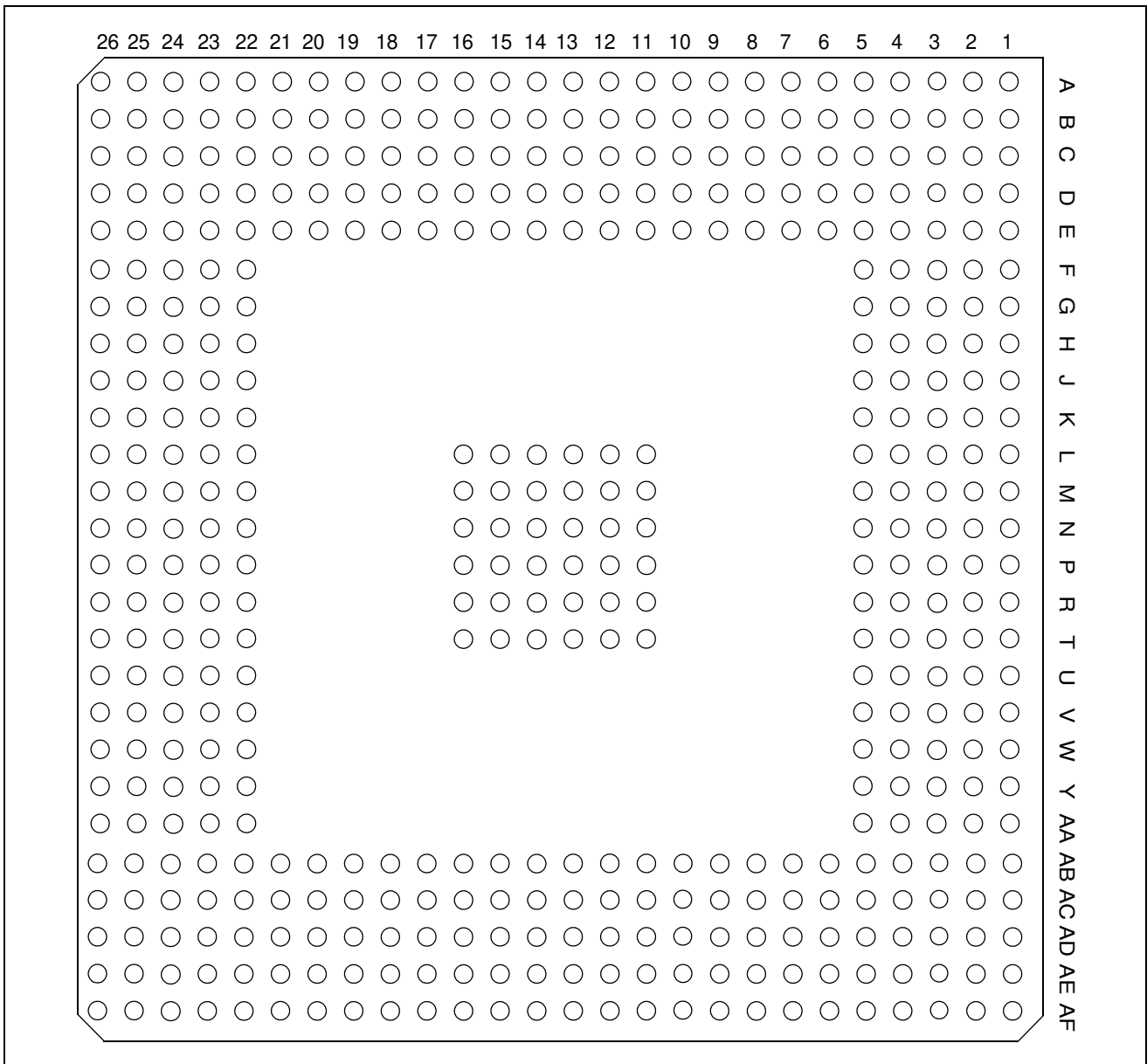


Figure 2 - 456 PBGA

The following tables contain each pin of the MT90502's main functional areas. A description of each pin is also provided.

Notes:

- All outputs are +3.3 V<sub>DC</sub>.
- All input and output pins that are designated (F) can withstand 5 V<sub>DC</sub> being applied to them.
- All input and output pins that are designated (F) are tested with a 50 pF load unless otherwise specified.
- Designations under the "rst" (reset condition) table column are: X = undefined; Z = high impedance; 1 = high (+3.3 V<sub>DC</sub>).
- I/O types include: Output (O), Input (I), Bidirectional (I/O), Power (PWR) and Ground (GND).
- All buses have pins listed in order from MSB to LSB.
- Pins with more than one function have their functions numbered.
- Unused H.100/H.110 input pins should be tied high with an external pull-up.

### 1.1 Pin Description Tables

Pin	rst	Name	I/O	Type	Description
AC3		upclk	I	LVTTL (F)	CPU Clock.
F25, F23, J24, J23		cpu_mode[3:0]	I	LVTTL (F)	CPU Interface Mode Select (4 bits).
AA3, AA4, Y1, Y2, Y3, Y4, W1, W2, W3, W4, V1, V2, V3, V4, U1		cpu_a[14:0]	I	LVTTL (F)	CPU Address bus.
T2		cpu_w $\overline{r}$ _r/w	I	LVTTL (F)	Intel Write or Motorola Read/Write
T1		cpu_r $\overline{d}$ _ds	I	LVTTL (F)	Intel Read or Motorola Data Strobe
U4		cpu_ale	I	LVTTL (F)	Address Latch Enable
T4		cpu_a_das	I	LVTTL (F)	Direct Access Select. '1' selects the direct address space. '0' selects the indirection registers contained in the CPU interface. This pin can be connected to the MSB of an address bus.
U3		cpu_cs	I	LVTTL (F)	CPU chip select
T3, R1, R2, R3, R4, P1, P2, P3, P4, N1, N2, N3, N4, M1, M2, M3	Z	cpu_d[15:0]	I/O	LVTTL 6 mA (F)	CPU Data bus
U2	Z	cpu_rdy_dtack	I/O	LVTTL 6 mA (F)	Intel Ready or Motorola Data Ack.
AC2	Z	interrupt1	O	LVTTL 6 mA (F)	Interrupt 1 (configurable polarity)
AC1	Z	interrupt2	O	LVTTL 6 mA (F)	Interrupt 2 (configurable polarity)

**Table 1 - CPU Bus Interface**

Pins	rst	Name	I/O	Type	Description
C21	Z	txa_led	I/O	LVTTL 12 mA (F)	UTOPIA port A TX LED
A19	Z	rx_a_led	I/O	LVTTL 12 mA (F)	UTOPIA port A RX LED
D21		rx_a_alarm	I	LVTTL (F)	UTOPIA port A PHY alarm

**Table 2 - UTOPIA Interface Pins**

Pins	rst	Name	I/O	Type	Description
D12	Z	txa_clk	I/O	LVTTTL 6 mA (F)	UTOPIA port A TX clock
D14	Z	txa_soc	O	LVTTTL 6 mA (F)	UTOPIA port A TX Start of Cell
A13	Z	1. txa_enb 2. txa_clav	O	LVTTTL 6 mA (F)	1. UTOPIA port A TX Enable in ATM mode 2. UTOPIA port A TX Cell Available in PHY mode
B13		1. txa_clav 2. txa_enb	I	LVTTTL (F)	1. UTOPIA port A TX Cell Available in ATM mode 2. UTOPIA port A TX Enable in PHY mode
C15, B15, A15, C14, B14, A14, D13, C13	Z	txa_d[7:0]	O	LVTTTL 6 mA (F)	UTOPIA port A TX Data bus
D15	Z	txa_prty	O	LVTTTL 6 mA (F)	UTOPIA port A TX Parity
A9	Z	rx_a_clk	I/O	LVTTTL 6 mA (F)	UTOPIA port A RX clock
C12		rx_a_soc	I	LVTTTL (F)	UTOPIA port A RX Start of Cell
B9	Z	1. rx_a_enb 2. rx_a_clav	O	LVTTTL 6 mA (F)	1. UTOPIA port A RX Enable in ATM mode 2. UTOPIA port A RX Cell Available in PHY mode
C9		1. rx_a_clav 2. rx_a_enb	I	LVTTTL (F)	1. UTOPIA port A RX Cell Available in ATM mode 2. UTOPIA port A RX Enable in PHY mode
A12, C11, B11, A11, D10, C10, B10, A10		rx_a_d[7:0]	I	LVTTTL (F)	UTOPIA port A RX Data bus
B12		rx_a_prty	I	LVTTTL (F)	UTOPIA port A RX Parity
D17	Z	txb_led	I/O	LVTTTL 12 mA (F)	UTOPIA port B TX LED
C17	Z	rx_b_led	I/O	LVTTTL 12 mA (F)	UTOPIA port B RX LED
B17		rx_b_alarm	I	LVTTTL (F)	UTOPIA port B PHY alarm
D5	Z	txb_clk	I/O	LVTTTL 6 mA (F)	UTOPIA port B TX clock
D8	Z	txb_soc	O	LVTTTL 6 mA (F)	UTOPIA port B TX Start of Cell
A6	Z	1. txb_enb 2. txb_clav	O	LVTTTL 6 mA (F)	1. UTOPIA port B TX Enable in ATM mode 2. UTOPIA port B TX Cell Available in PHY mode
B6		1. txb_clav 2. txb_enb	I	LVTTTL (F)	1. UTOPIA port B TX Cell Available in ATM mode 2. UTOPIA port B TX Enable in PHY mode
B8, A8, D7, C7, B7, A7, D6, C6	Z	txb_d[7:0]	O	LVTTTL 6 mA (F)	UTOPIA port B TX Data bus
C8	Z	txb_prty	O	LVTTTL 6 mA (F)	UTOPIA port B TX Parity
E4	Z	rx_b_clk	I/O	LVTTTL 6 mA (F)	UTOPIA port B RX clock
A4		1. rx_b_soc 2. txa_addr[4]	I	LVTTTL (F)	1. UTOPIA port B RX Start of Cell 2. txa_addr[4] when port A and B are combined

Table 2 - UTOPIA Interface Pins (continued)

Pins	rst	Name	I/O	Type	Description
D3	Z	1. $\overline{\text{rxb\_enb}}$ 2. $\text{rxb\_clav}$	O	LVTTL 6 mA (F)	1. UTOPIA port B RX Enable in ATM mode 2. UTOPIA port B RX Cell Available in PHY mode
C1		1. $\text{rxb\_clav}$ 2. $\overline{\text{rxb\_enb}}$	I	LVTTL (F)	1. UTOPIA port B RX Cell Available in ATM mode 2. UTOPIA port B RX Enable in PHY mode
A2, D4, A1, B1, C2		1. $\text{rxb\_d}[4:0]$ 2. $\text{rxa\_addr}[4:0]$	I	LVTTL (F)	1. UTOPIA port B RX Data bus [4:0] 2. $\text{rxa\_addr}[4:0]$ when port A and B are combined
A3, B3, B2		1. $\text{rxb\_d}[7:5]$ 2. $\text{txa\_addr}[2:0]$	I	LVTTL (F)	1. UTOPIA port B RX Data bus [7:5] 2. $\text{txa\_addr}[2:0]$ when port A and B are combined
B4		1. $\text{rxb\_prty}$ 2. $\text{txa\_addr}[3]$	I	LVTTL (F)	1. UTOPIA port B RX Parity. 2. $\text{txa\_addr}[3]$ when port A and B are combined.
J4	Z	$\text{txc\_clk}$	I/O	LVTTL 6 mA (F)	UTOPIA port C TX clock
D2	Z	$\text{txc\_soc}$	O	LVTTL 6 mA (F)	UTOPIA port C TX Start of Cell
G1	Z	1. $\overline{\text{txc\_enb}}$ 2. $\text{txc\_clav}$	O	LVTTL 6 mA (F)	1. UTOPIA port C TX Enable in ATM mode 2. UTOPIA port C TX Cell Available in PHY mode
G2		1. $\text{txc\_clav}$ 2. $\overline{\text{txc\_enb}}$	I	LVTTL (F)	1. UTOPIA port C TX Cell Available in ATM mode 2. UTOPIA port C TX Enable in PHY mode
E3, E2, E1, F3, F2, F1, G4, G3	Z	$\text{txc\_d}[7:0]$	O	LVTTL 6 mA (F)	UTOPIA port C TX Data bus
D1	Z	$\text{txc\_prty}$	O	LVTTL 6 mA (F)	UTOPIA port C TX Parity
L1	Z	$\text{rxc\_clk}$	I/O	LVTTL 6 mA (F)	UTOPIA port C RX clock
H3		$\text{rxc\_soc}$	I	LVTTL (F)	UTOPIA port C RX Start of Cell
L2	Z	1. $\overline{\text{rxc\_enb}}$ 2. $\text{rxc\_clav}$	O	LVTTL 6 mA (F)	1. UTOPIA port C RX Enable in ATM mode 2. UTOPIA port C RX Cell Available in PHY mode
L3		1. $\text{rxc\_clav}$ 2. $\overline{\text{rxc\_enb}}$	I	LVTTL (F)	1. UTOPIA port C RX Cell Available in ATM mode 2. UTOPIA port C RX Enable in PHY mode
H1, J3, J2, J1, K4, K3, K2, K1		$\text{rxc\_d}[7:0]$	I	LVTTL (F)	UTOPIA port C RX Data bus
H2		$\text{rxc\_prty}$	I	LVTTL (F)	UTOPIA port C RX Parity

Table 2 - UTOPIA Interface Pins (continued)



Pin	rst	Name	I/O	Type	Description
A22	Z	ct_c8_a	I/O	LVTTL 24 mA (F)	H.100 8MHz clock A
A21	Z	ct_c8_b	I/O	LVTTL 24 mA (F)	H.100 8MHz clock B
A24	Z	ct_frame_a	I/O	LVTTL 24 mA (F)	H.100 Frame A
B22	Z	ct_frame_b	I/O	LVTTL 24 mA (F)	H.100 Frame B
A17	Z	ct_netref1	I/O	LVTTL 24 mA (F)	H.100 Netref 1
A16	Z	ct_netref2	I/O	LVTTL 24 mA (F)	H.100 Netref 2
D18	Z	ct_mc	I/O	LVTTL 24 mA (F)	H.100 Message Channel. If this pin is connected to the H100 bus, gpio[2] must be used to drive it.
C25, D25, E26, E25, E24, F26, F24, G26, G25, G24, G23, H24, J26, J25, K26, K24, L23, L24, M25, M24, N25, P24, P23, R24, R25, T26, U23, U26, V23, V24, V26, W23	Z	ct_d[31:0]	I/O	PCI (F)	H.100 serial data bus
B20	Z	sclk	O	LVTTL 24 mA (F)	H.100 SCBUS system clock
C20	Z	sclkx2	O	LVTTL 24 mA (F)	H.100 SCBUS system clock x 2
C18	Z	c16p	O	LVTTL 24 mA (F)	H.100 H-MVIP 16 MHz clock positive output
A18	Z	c16n	O	LVTTL 24 mA (F)	H.100 H-MVIP 16 MHz clock negative output
D20	Z	c2	O	LVTTL 24 mA (F)	H.100 MVIP-90 2 MHz clock
C19	Z	c4	O	LVTTL 24 mA (F)	H.100 MVIP-90 4 MHz clock
B21	Z	frcomp	O	LVTTL 24 mA (F)	H.100 compatibility frame pulse

Table 3 - H.100/H.110 Interface Pins

Pin	rst	Name	I/O	Type	Description
AF2		mem_clk	I	LVTTL	memory clock (common to both bank A and B). It is also employed as the internal master clock.
AF11, AD10, AF10, AD9, AF9, AE8, AC7, AE7, AD7, AF8, AD8, AE9, AC9, AE10, AC10, AE11	Z	mema_d[15:0]	I/O	LVTTL 6 mA	SDRAM/SSRAM bank A data bus
AD11, AF7	Z	mema_p[1:0]	I/O	LVTTL 6 mA	SDRAM/SSRAM bank A parity bits
AF4, AE3	1	mema_cs[1:0]	O	LVTTL 6 mA	SSRAM bank A Chip selects 1, 0
AE5	Z	mema_r/w	O	LVTTL 6 mA	SSRAM bank A Read/Write
AE4, AF5	Z	mema_bws[1:0]	O	LVTTL 6 mA	SSRAM bank A Byte Write Selects 1:0
AE12	Z	mema_cas	O	LVTTL 6 mA	SDRAM bank A Column Address Select
AD12	Z	mema_ras	O	LVTTL 6 mA	SDRAM bank A Row Address Select
AF12	Z	mema_we	O	LVTTL 6 mA	SDRAM bank A Write Enable
AD6, AE6, AF6, AD5, AF3, AC12, AE13, AF13, AF14, AD13, AE14, AC14, AE15, AC15, AE16, AF16, AD15, AF15, AD14		mema_a[18:0]	O	LVTTL 6 mA	SDRAM/SSRAM bank A address bus
AE22, AD22, AF24, AE24, AD25, AC25, AB24, AB26, AB25, AC26, AD26, AE26, AE23, AF23, AD21, AE21	Z	memb_d[15:0]	I/O	LVTTL 6 mA	SDRAM/SSRAM bank B data bus
AF22, AA24	Z	memb_p[1:0]	I/O	LVTTL 6 mA	SDRAM/SSRAM bank B parity bits
W25, W26	1	memb_cs[1:0]	O	LVTTL 6 mA	SSRAM bank B Chip selects 1,0
Y25	Z	memb_r/w	O	LVTTL 6 mA	SSRAM bank B Read/Write
W24, Y26	Z	memb_bws[1:0]	O	LVTTL 6 mA	SSRAM bank B Byte Write Selects 1,0
AC20	Z	memb_cas	O	LVTTL 6 mA	SDRAM bank B Column Address Select
AD20	Z	memb_ras	O	LVTTL 6 mA	SDRAM bank B Row Address Select
AF21	Z	memb_we	O	LVTTL 6 mA	SDRAM bank B Write Enable
AA25, AA26, Y23, Y24, AC21, AE20, AC19, AF20, AE19, AD19, AF19, AE18, AC17, AE17, AD16, AF17, AD17, AF18, AD18		memb_a[18:0]	O	LVTTL 6 mA	SDRAM/SSRAM bank B address bus

Table 4 - Memory Interface Pins

Pin	rst	Name	I/O	Type	Description
AA1		reset	I	LVTTL (F)	Global Hardware Reset (active low)
AF26, AC24, AB23, AA23, T24, R26, N23, M23	Z	gpio[7:0]	I/O	LVTTL 6 mA (F)	General Purpose I/Os

Table 5 - Miscellaneous Pins

Pin	Name	I/O	Type	Description
A26	trst	I	LVTTL (F)	JTAG Test Reset
D22	tck	I	LVTTL (F)	JTAG Test Clock
A25	tdi	I	LVTTL (F)	JTAG Test Data In
C23	tms	I	LVTTL (F)	JTAG Test Mode Select
A23	tdo	O	LVTTL 6 mA (F)	JTAG Test Data Out

Table 6 - JTAG Pins

Pin	Name	I/O	Type	Description
AB2	pll_clk	I	LVTTL (F)	PLL reference clock used for H.100 Master clock generation
A5	PLLVDD1			PLL Power Pin (3.3 V). Place one.01 uF, one 10 uF and one 100 pF capacitor near PLL_VDD1 / PLL_GND1 pins.
AB3	PLLVDD2			PLL Power Pin (3.3V). Place one.01 uF, one 10 uF and one 100 pF capacitor near PLL_VDD2 / PLL_GND2 pins.
AE2	PLLVDD3			PLL Power Pin (3.3 V). Place one.01 uF, one 10 uF and one 100 pF capacitor near PLL_VDD3 / PLL_GND3 pins.
B5	PLLGND1			PLL Ground Pin (0 V).
AB1	PLLGND2			PLL Ground Pin (0 V).
AE1	PLLGND3			PLL Ground Pin (0 V).

Table 7 - Phase Lock Loop (PLL) Pins

VSS (0 V): D9, D11, E5, E6, E9, E10, E13, E14, E17, E18, E21, E22, F4, F5, F22, H4, J5, J22, K5, K22, L4, L11, L12, L13, L14, L15, L16, M4, M11, M12, M13, M14, M15, M16, N5, N11, N12, N13, N14, N15, N16, N22, P5, P11, P12, P13, P14, P15, P16, P22, R11, R12, R13, R14, R15, R16, T11, T12, T13, T14, T15, T16, U5, U22, V5, V22, AA5, AA22, AB5, AB6, AB9, AB10, AB13, AB14, AB17, AB18, AB21, AB22, AF25.

Table 8 - VSS (0 V) Pins

VDD3 (3.3 V): C3, C24, D23, E7, E8, E11, E12, E15, E16, E19, E20, G5, G22, H5, H22, L5, L22, M5, M22, R5, R22, T5, T22, W5, W22, Y5, Y22, AB7, AB8, AB11, AB12, AB15, AB16, AB19, AB20, AC4, AC23, AD3, AD24, AF1

Table 9 - VDD3 (3.3 V) Pins

Note: If MT90502 is only connected to 3.3 V devices on the H.100/H.110 bus, then 3.3 V can be connected to the following pins. If any devices are 5 V then these pins must be connected to 5 V.

VDD5 (3.3 V or 5.0 V): B25, D24, H26, L26, P25, U24

Table 10 - VDD5 (3.3 V or 5.0 V) Pins

Not Connected (Leave Floating): A20, B16, B18, B19, B23, B24, B26, C4, C5, C16, C22, C26, D16, D19, D26, E23, H23, H25, K23, K25, L25, M26, N24, N26, P26, R23, T23, T25, U25, V25, AA2, AB4, AC5, AC6, AC8, AC11, AC13, AC16, AC18, AC22, AD1, AD2, AD4, AD23, AE25

**Table 11 - Not Connected (Leave Floating) Pins**

Type	Input	Output	I/O	Power	Ground	N/C	Total
CPU Bus	25	2	17				44
UTOPIA Port A	13	12	4				29
UTOPIA Port B	13	12	4				29
UTOPIA Port C	12	12	2				26
H.100/H.110	0	7	39				46
Memory	1	54	36				91
Miscellaneous	1	0	8				9
JTAG	4	1	0				5
PLL	1	0	0	3	3		7
Power				46			46
Ground					79		79
No Connect						45	45
Total:	71	101	110	48	81	45	456

Note: Pins are listed under their main (default) function for UTOPIA ports A and B

**Table 12 - Pinout Summary**

## 2.0 Functional Description

### 2.1 CPU Interface

The MT90502 CPU module provides an interface permitting programmability from an external microprocessor or CPU. The CPU module permits read/write access to the MT90502's internal registers, internal memory and external memories.

The CPU interface is comprised of the following:

- [1] Direct Access Select (DAS) as the MSB bit concatenated with a 15-bit address bus
- [2] 16-bit data bus
- [3] 2 interrupt signals
- [4] associated control signals.

The CPU interface can be configured to operate in either Intel or Motorola mode. The MT90502 supports both 8-bit or 16-bit data bus and multiplexed or non-multiplexed address/data pins.

If the CPU is operating in 16-bit byte mode with the LSB of its address bus as a byte field, then the `cpu_a[14:0]` pins of the MT90502 can be connected to the `a[15:1]` pins of the CPU. If both the MT90502 and the CPU are in 16-bit word mode, then the `cpu_a[14:0]` pins should be connected to the `a[14:0]` pins of the CPU.

A reduced set of registers, the 'CPU Interface Registers' (000h to 00Ah), are employed to optimise access time and to permit the CPU to execute indirect read/write accesses. The CPU also engages these registers to perform direct read/write accesses. The MT90502 and CPU timing relationship is described in Section 4.3, "Intel/Motorola Interface," on page 185.

The CPU Control Register (100h) provides a software reset capability that allows the CPU to reset the MT90502 except for the CPU interface. The CPU interface can only be reset by a hardware reset.

#### 2.1.1 CPU Interrupts

The CPU interface provides a programmable global interrupt capability. The interrupt signal names are 'interrupt1' and 'interrupt2', pins AC2 and AC1 respectively. Both interrupts have programmability to select their polarity (open collector drive) via registers 'interrupt1\_conf' and 'interrupt2\_conf', addresses 214h and 216h respectively. Interrupt1 provides the capability to program a minimum acceptable period between interrupts. The period is programmed in  $\mu\text{s}$  units via the 'interrupt1\_conf' register. This provides a 'frequency interrupt controller' facility and masks the assertion of further interrupts until the specified period of time has elapsed. The mask period will start when the `interrupt1_treated [15]` bit in the register 'interrupt\_flags' (address 210h) is set. When Interrupt2 is enabled it is always activated when an interrupt condition occurs.

The operation of the CPU interrupt network is common for all modules. When an interrupt is asserted, an interrupt flag is set to identify the module where the interrupt was generated. Each module has one or more Interrupt Enable Registers where a set interrupt enable bit enables an interrupt source. On completion of the ISR the interrupt must be cleared as the interrupt will remain asserted until it is de-asserted by the user. All Interrupt Enable Registers have a mirror Status Register. Hence, the bit positioning of the interrupt enables and the corresponding status bits are identical.

Note: Interrupt pins are always tri-stated when inactive.

##### 2.1.1.1 Example Interrupt Flow

Upon the initialisation of the Global Interrupt pins the following methodology is adopted to identify the source of the interrupt. For this example Interrupt2 is employed and the CPU module will be the source of the interrupt.

**Interrupt Initialization**

- Set interrupt polarity, register interrupt2\_conf[15:14].
- Enable Interrupt2 for the CPU module by setting bit 0 in interrupt2\_enable register (21Ah). The MT90502 will generate an interrupt on interrupt2 according to the modules enabled in interrupt2\_enable.
- Set the individual CPU interrupt sources by enabling the respective bits in the 'status0\_ie' register (104h). Within the 'status0\_ie' register there are two possible interrupt sources: internal\_read\_timeout\_ie and cpu\_read\_done\_ie. In the MT90502 Register Description the interrupt bits are labelled IE (Interrupt Enable) in the 'Type' column. This register offers the facility to mask/disable unwanted interrupts.

**Interrupt Servicing**

When interrupt2 is asserted ('interrupt2' pin):

- Read the interrupt flags to ascertain the module raising the interrupt. The CPU module interrupt flag is located in register interrupt\_flags (210h), this bit is named cpureg\_interrupt\_active.
- If the cpureg\_interrupt\_active bit is set, locate the source of the CPU interrupt by reading the 'status0' at 102h, either internal\_read\_timeout and/or cpu\_read\_done.
- To de-assert the interrupt the user must write a 1 to register 102h bits 3 and/or 4, internal\_read\_timeout and cpu\_read\_done respectively. Only then will the interrupt be de-asserted.

**2.1.2 Intel/Motorola Interface**

000h	Control Register
004h	Read/Write Data Register
008h	Address High Register
00Ah	Address Low Register

The MT90502 CPU interface supports both Intel and Motorola modes with an 8-bit or 16-bit data bus and multiplexed or non-multiplexed address/data pins. The MT90502 supports 68 MB of addressable space, therefore indirection addressing is necessary. The CPU interface directly addresses four control words, delegated for indirection accessing. The Indirection Register contents are shown in Table 14 to Table 17 inclusively. The timing relationship pertaining to the CPU Interface Registers and Extended Access is defined in Section 4.3 on page 185.

cpu_mode [3:0]	Interface Type	ale	address pins	data pins	direct_access
0000	Intel, 16 bit data bus, non-multiplexed	cpu_ale*	cpu_a[14:0]** (word address)	cpu_d[15:0]	cpu_a_das
0001	Intel, 16 bit data bus, multiplexed	cpu_ale*	cpu_d[15:1]** (word address)	cpu_d[15:0]	cpu_a_das
0010	Intel, 8 bit data bus, non-multiplexed	cpu_ale*	cpu_a[14:0]** (byte address)	cpu_d[7:0]	cpu_a_das
0011	Intel, 8 bit data bus, multiplexed	cpu_ale*	cpu_a[14:8]** & cpu_d[7:0] (byte address)	cpu_d[7:0]	cpu_a_das
0100	Motorola, 16 bit data bus, non-multiplexed	cpu_ale*	cpu_a[14:0]** (word address)	cpu_d[15:0]	cpu_a_das
0101	Motorola, 16 bit data bus, multiplexed	cpu_ale*	cpu_d[15:1]** (word address)	cpu_d[15:0]	cpu_a_das
0110	Motorola, 8 bit data bus, non-multiplexed	cpu_ale*	cpu_a[14:0]** (byte address)	cpu_d[7:0]	cpu_a_das
0111	Motorola, 8 bit data bus, multiplexed	cpu_ale*	cpu_a[14:8]** & cpu_d[7:0] (byte address)	cpu_d[7:0]	cpu_a_das
1xxx	Reserved				

\* The cpu\_ale pin is interpreted in all modes. However, it is not necessary in the non-multiplexed modes and can be tied to VCC.

\*\*The address placed on the cpu\_a[14:0] pin is a word address in 16-bit mode and a byte address in 8-bit mode. The address, when placed on the cpu\_d pins, is always a byte address.

**Table 13 - CPU Interface Mode Selection**

Field	Bit	Type	Reset	Description
read_burst_length	6:0	RW	01h	Number of words to prefetch: 00h = 128; 01h= 1; 02h = 2, etc. This field is set to 01h for individual (non-sequential) reads.
reserved	7	RO	0h	Reserved.
access_req	8	PC	0h	Set by software when an extended access is initialized. Reset by hardware when the access is completed. Used for extended indirect access only.
extended_a[3:1]	11:9	RW	0h	Extended address bits 3:1. Invalid for extended direct access.

**Table 14 - Control Register (000h)**

write_enable	13:12	RW	0h	Active high write enables. 00 = read access. 01 = write to lower byte. 10 = write to upper byte. 11 = write to entire word. This field is ignored for extended direct reads and all byte wide extended direct accesses.
extended_parity	15:14	RW	0h	Read/Write Parity bits.

Table 14 - Control Register (000h)

Field	Bit	Type	Reset	Description
extended_data[15:0]	15:0	RW	0000h	The extended indirect read/write data word register. Invalid for extended direct access.

Table 15 - Read/Write Data Register (004h)

Field	Bit	Type	Reset	Description
extended_a[32:20]	12:0	RW	000h	Upper extended address [32:20].
Reserved	15:13	RO	0h	

Table 16 - Address High Register (008h)

Field	Bit	Type	Reset	Description
extended_a[19:4]	15:0	RW	0000h	Lower extended address [19:4]. In extended direct addressing, bits 19:16 are employed for 16-bit data bus; bits 19:15 are employed for 8-bit data bus.

Table 17 - Address Low Register (00Ah)

### 2.1.2.1 Extended Indirect Accessing

Extended Indirect Accessing solely employees the registers 000h to 00Ah to access the 68MB of addressable memory space.

Synopsis: The access address is written to registers 000h, 008h, and 00Ah. The MT90502 will read/write to that address and fetch/place the data value from/to register 004h. For all extended indirect accesses the CPU\_A\_DAS bit will be held low.

#### Extended Indirect Writes

The following steps must be executed to perform an extended indirect write:

1. Write the upper address, extended\_a[32:20], to register 008h. This write may not be required if previous value holds true.



2. Write the lower address, extended\_a[19:4], to register 00Ah. This write may not be required if previous value holds true.
3. Write the write data, extended\_data[15:0], to register 004h. This write may not be required if previous value holds true.
4. Write write\_enable, extended\_parity, access\_req='1' and extended\_a [3:1] in a single access to register 000h.
5. Read the access\_req bit located in the Control Register[8] to determine when the write cycle has completed.

The software will set access\_req [8] in register 000h (see Step 4 above). The hardware will reset the bit when the data write cycle has completed. Therefore, this bit can be polled to determine when the data write cycle has completed.

### **Extended Indirect Reads**

1. Write the upper address, extended\_a[32:20], to register 008h. This write may not be required if previous value holds true.
2. Write the lower address, extended\_a[19:4], to register 00Ah. This write may not be required if previous value holds true.
3. Write write\_enable = 00, access\_req='1' and extended\_a [3:1] in a single access to register 000h.
4. Wait until access\_req is cleared, then read the data from the data field extended\_data[15:0], register 004h.

Optional parity check may be ascertained by performing a read on the extended\_parity[15:14], register 000h.

The software will set access\_req[8] register 000h and the hardware will reset it when the data is ready to be read from register 004h.

### **2.1.2.2 Extended Direct Accessing**

Extended Direct Accessing employs the high and low address registers to perform page addressing. The address within the page is provided directly by the CPU address bus. Similarly, the data is fetched/placed directly on the CPU data bus.

Synopsis: The access address is written to registers 008h and 00Ah. This will perform only the page addressing. Upon assertion of the address within the page, the MT90502 will read/write the data with respect to that address. The CPU\_A\_DAS bit is set when the data read/write occurs. When operating the CPU interface in direct mode with a 16-bit data bus, extended\_a[19:16], are employed for the lower address word register 00Ah. However, when operating the CPU interface in direct mode with an 8-bit data bus, bits [19:15] are used for the lower address word.

### **Extended Direct Writes**

1. Write the upper address, extended\_a[32:20], to register 008h. This write may not be required if previous value holds true.
2. Write the lower address extended\_a[19:16] or [19:15] to register 00Ah. The remaining bits [15:4] or [14:4] are ignored. This write may not be required if previous value holds true.
3. Write write\_enable[13:12] (this write may not be required if previous value holds true) and extended\_parity[15:14]. The extended parity write is optional.
4. Write the data value to the address within the corresponding memory page with the CPU\_A\_DAS bit set.

### **Extended Direct Reads**

1. Write the upper address, extended\_a[32:20], to register 008h. This write may not be required if previous value holds true.

2. Write the lower address, extended\_a[19:16] or [19:15], to register 00Ah. The remaining bits [15:4] or [14:4] are ignored. This write may not be required if previous value holds true.
3. Assert the lower address within the memory page and fetch the read data with CPU\_A\_DAS set.
4. An optional read may be performed to obtain the parity values, extended\_parity[15:14] register 000h.

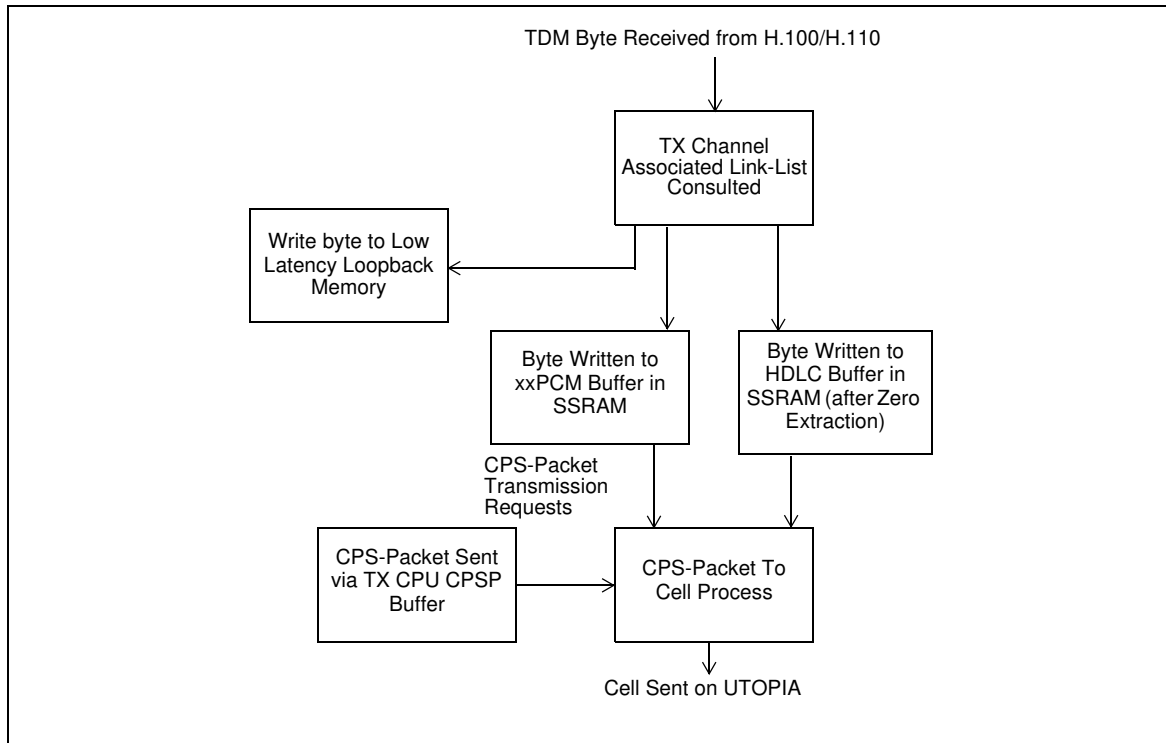
### 2.1.3 MT90502 Reset Procedure

The following reset procedure is required to power-up the MT90502. The reset procedure must be adhered at power-up employing the nreset pin. All register accesses in the reset procedure may be performed in either Direct or Indirect mode.

1. Assert the nreset pin for approximately 1000 mem\_clk periods.
2. De-assert the nreset pin.
3. Clear sreset bit in CPU Control Register (100h).
4. Configure mem\_clk, upclk, and the led flashing frequencies in the CPU Registers (108h, 10Ah and 10Ch).
5. Configure the fast\_clock PLL via registers 16Ch and 172h.
6. Configure the H.100/H.110 PLL in the CPU Register 174h.
7. Set active levels for interrupt pins in the Main Registers (214h and 216h).
8. Configure the UTOPIA port clocks in the Main Registers (220h, 222h, 224h, 228h, 22Ah and 22Ch).
9. Configure external memories in the Main Registers (230h, 232h, 234h, 240h and 242h).
10. Wait 10  $\mu$ s.
11. Set sreset bit in CPU Control Register (100h).
12. Initialize the SDRAM in the Main Registers (250h, 252h, 254h, 256h, 258h and 25Ah).

## 2.2 TDM Transmission

The TDM transmission module reads TDM data received by the H.100/H.110 interface, arranges the data in AAL2 CPS-Packets, and places the CPS-Packets in a FIFO for treatment by the TX SAR. The TX TDM module is capable of treating PCM data, ADPCM data and HDLC packets. Each channel can be configured as PCM, ADPCM or HDLC individually. For HDLC packets, zero-extraction (bit-wise or byte-wise - see Section 2.10 on page 101), and extraction of address, control and CRC bytes is performed. The received data is formatted into CPS-Packets that include CID, LI and UUI information.



**Figure 3 - TX Cell Flow**

There are 32 streams on the H.100/H.110 bus, running at 2.048, 4.096 or 8.192 MHz. Each individual time slot or DS0 channel on the H.100/H.110 bus is assigned a unique TSST (Time Slot/Stream) number, according to the time slot number, stream number and the rate of the stream.

$$\text{TSST} = \begin{cases} \text{Time slot} * 32 + \text{Stream}, & \text{if Stream frequency is 8.192 MHz;} \\ (\text{Time slot} * 2 + 1) * 32 + \text{Stream}, & \text{if Stream frequency is 4.096 MHz;} \\ (\text{Time slot} * 4 + 3) * 32 + \text{Stream}, & \text{if Stream frequency is 2.048 MHz.} \end{cases}$$

The time slot ranges are 0 to 31 for 2.048 MHz streams, 0 to 63 for 4.096 MHz stream, or 0 to 127 for 8.192 MHz streams. Inside the MT90502 the TSST number is used to address any TDM channel position on the H.100/H.110 bus.

A TX TDM frame buffer exists in internal memory that contains the most recently received TDM bytes from each of the 4096 TSSTs. From the frame buffer, up to 1023-bytes are read each frame, according to the TSST link-list in TX Channel Association Memory (TX CAM). The TX CAM entry contains a channel number, an associated TSST, and a link to where the next valid entry exists in the TX CAM. The entries in the TX CAM **must** be linked sequentially according to TSST but can exist in any order in memory.

Each entry in TX CAM is one of the following four types:

1. The TSST in that entry carries PCM or ADPCM data. An xxPCM Channel Number should be assigned.
2. The TSST in that entry belongs to an HDLC stream. An HDLC Stream Number should be assigned.
3. The TSST in that entry is a loopback channel. A Low-Latency Loopback (LLL) Channel Number should be assigned.
4. The TSST in that entry is a phasing channel. The device will use the data on that TSST to synchronize its internal phase/sub-phase operation.

Each TSST that carries PCM, ADPCM or HDLC data needs a CPS-Packet assembly structure in TX TDM Control memory to have CPS-Packets assembled. The xxPCM channel number and HDLC Stream Number are used to indicate the memory location of the CPS-Packet assembly structure and the CPS-Packet final assembly structure.

### **2.2.1 Low-Latency Loopback Channels**

A low-latency loopback (LLL) is a connection between any TX TDM channel and any RX TDM channel. Up to 128 loopback connections can be established.

Channels designated as LLL channels in the TX CAM are written directly into the appropriate location in the LLL memory of the RX TDM module. Once there, they are routed out to TSSTs that are assigned the same LLL channel numbers in RX CAM.

### **2.2.2 Treatment of PCM/ADPCM Data**

PCM and ADPCM data is accumulated in a CPS-Packet circular buffer in TX SSRAM until the number of bytes pending equals the length of the AAL2 CPS-Packet to be assembled, as specified in the number of EDUs (# EDU) field of the PCM/ADPCM CPS-Packet assembly structure for that xxPCM channel. The TX TDM is capable of treating PCM at 64 kbps and compressed ADPCM at 40, 32, 24, or 16 kbps. For the compressed ADPCM channels, instead of capturing all 8-bits in an incoming TDM byte, the MT90502 will only sample 5-, 4-, 3-, or 2-bits of the byte, according to the data rate. The MT90502 can be configured to sample either the MSBs or the LSBs of TDM bytes; the configuration applies to all compressed channels.

	b15	b14	b13	b12	b11	b10	b9	b8	b7	b6	b5	b4	b3	b2	b1	b0	
+0																	
+2						0	HDLC Stream/xxPCM Channel Number										
+4				TSST[11:0]													
+6				Link to next entry													


HDLC Stream or xxPCM Channel Structure

	b15	b14	b13	b12	b11	b10	b9	b8	b7	b6	b5	b4	b3	b2	b1	b0
+0																
+2						1	0	00LL	0	LLL Channel Number						
+4				TSST[11:0]												
+6				Link to next entry												

LLL Channel Structure

	b15	b14	b13	b12	b11	b10	b9	b8	b7	b6	b5	b4	b3	b2	b1	b0
+0																
+2						1	0	0	1	0	0	0	0	0	0	XPI
+4				TSST[11:0]												
+6				Link to next entry												

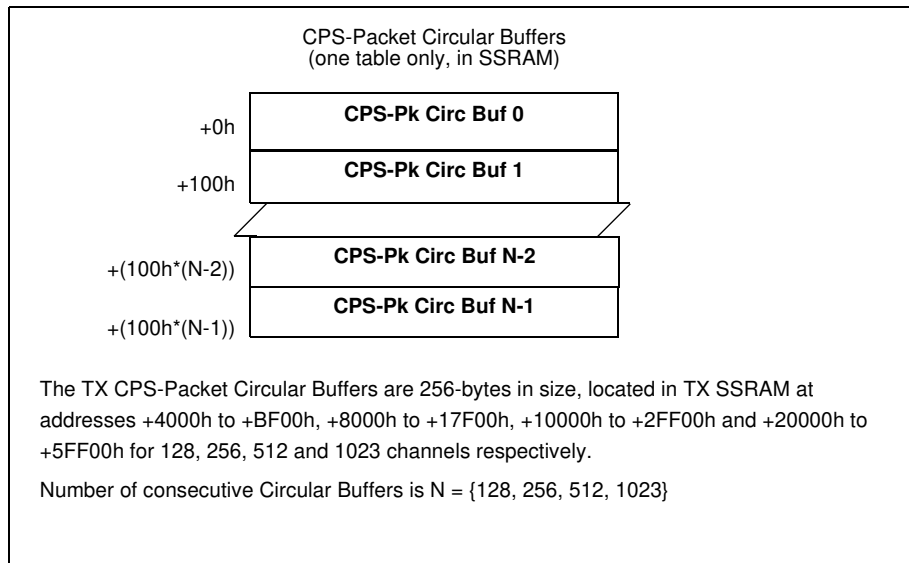
Phasing Channel Structure

 Reserved

**TX CAM Notes:**

- The TX CAM consists of 1024 8-byte structures in internal memory at addresses 4000h to 5FF8h.
- One TX CAM entry exists for each selected TSST.
- The HDLC Stream/xx PCM Channel Number is used to locate the CPS-Packet assembly structure, the CPS-Packet final assembly structure (see Figures 12, 13, 14, 15 and 16) and the CPS-Packet buffer for the associated TSST.
- **Link to next entry:** A pointer to the next entry in the linked list of TX CAM entries. 000h indicates the end of the linked list (return to start). Entry 0 in the linked list is always examined at the start of frame and is never associated to a valid TDM channel.
- The TX CAM entries are each consulted once every frame.
- TX CAM entries can exist in any order in memory but must be linked in order of TSST.
- **XPI:** External Phase Indicator: "00" = 24 frame phase; "01" = 80 frame phase; "10" = 64 frame phase (also used for 8, 16 and 32 frame phase); "11" = 88 frame phase

**Figure 4 - TX Channel Association Memory (TX CAM)**



**Figure 5 - TX CPS-Packet Circular Buffers**

### 2.2.2.1 CPS-Packet Length

An Encoding Data Unit (EDU) consists of 8 PCM or ADPCM data blocks. A data block is 8-bits for uncompressed PCM and 5-, 4-, 3-, or 2-bits for ADPCM compression rates of 40, 32, 24, or 16 kbps, respectively. AAL2 CPS-Packets may contain 1-, 2-, 3-, 4-, 5-, or 8-EDUs. The MT90502 also supports 44-byte PCM, 44-byte 32 K ADPCM and 40-byte 32K-ADPCM CPS-Packets as per ATM Forum requirement for Loop Emulation Service. 40/80 frame PCM/ADPCM represents 40-byte 32 K ADPCM, and 44/88 frame PCM/ADPCM represents both 44-byte PCM and 44-byte 32 K ADPCM.

### 2.2.2.2 TDM Data Formats

Two different formats are available for transferring PCM/ADPCM samples on the H.100/H.110 bus. The first format, Format A, uses a single time slot on the H.100/H.110 bus to transfer a sample. This format does not allow distinguishing between PCM and ADPCM samples and therefore does not allow automatic switching between PCM and ADPCM samples.

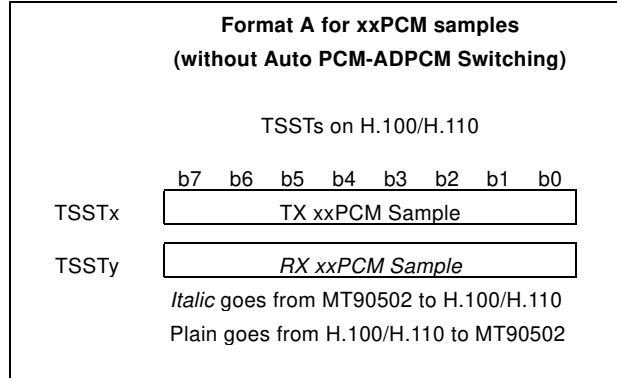
If a channel is configured as ADPCM, its compression rate can be determined on a byte by byte basis. This is done by using a certain byte format (see Figure 8) on the TDM bus in which the nibble is placed in either the high bits or the low bits of the byte, followed by a '1' and padding the rest of the byte with '0's. By so doing, the compression rate of the sample is coded implicitly into the byte. As a CPS-Packet can contain only one encoding scheme or compression rate, the compression rate may change only on CPS-Packet boundaries. Dynamic compression can be performed between all ADPCM compression rates.

The second format, Format B, uses two time slots on the H.100/H.110 bus to transfer a single PCM/ADPCM sample. Using two time slots will provide explicit indication of PCM or ADPCM sample in both the Tx and Rx direction. This will allow for dynamic switching between PCM and ADPCM encoding schemes.

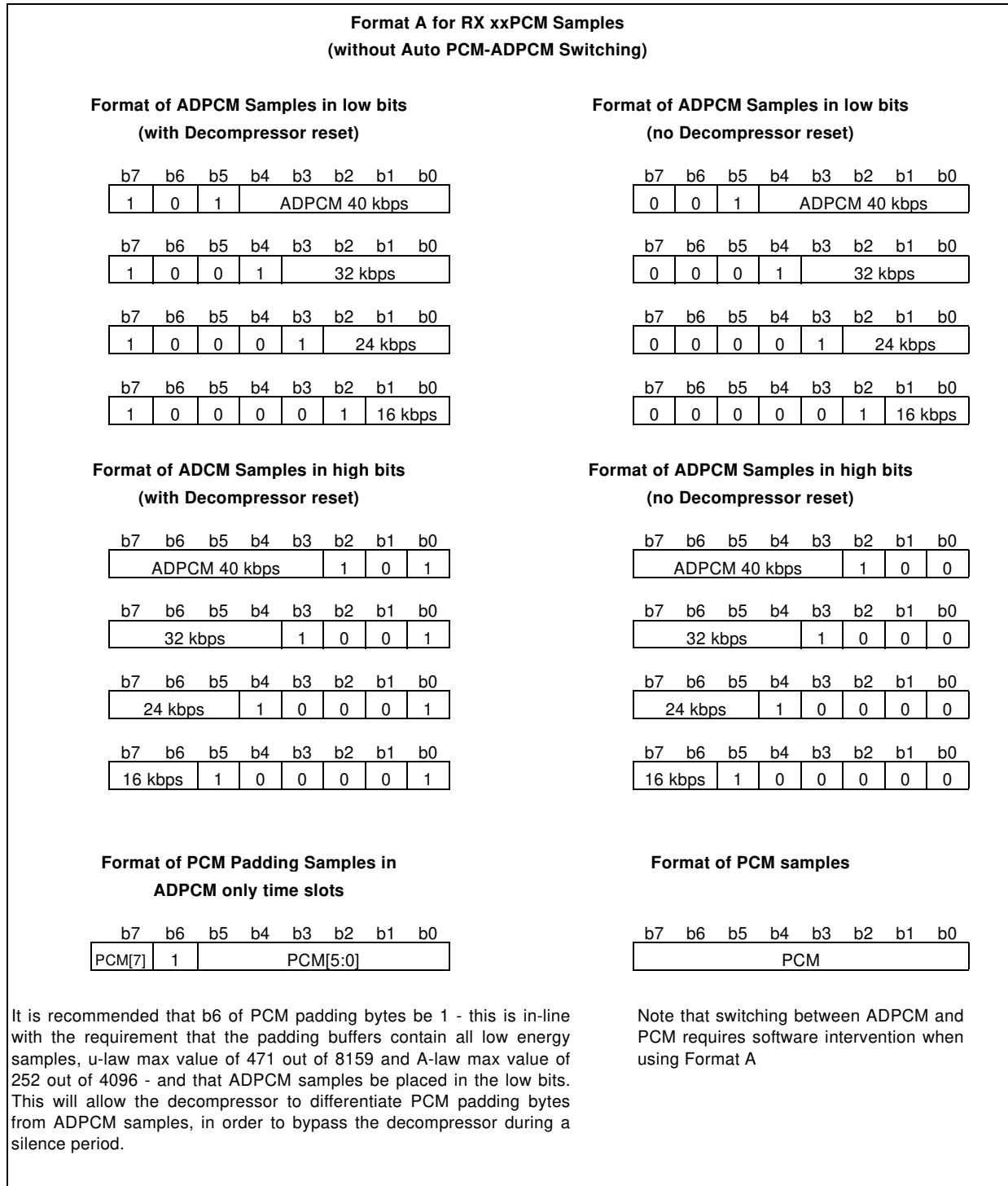
Both Format A and B allow the MT90502 to send a reset signal to the external decompressor to indicate the end of a silent period. For silence suppression to function properly, both the ADPCM compressor and decompressor must be synchronously reset in between continuous talk spurts. This reset must take place before each non-silent packet that was preceded by a silent packet, given that silence suppression is enabled. The external decompressor must reset itself when it sees either b7 or b0, depending on the placement of ADPCM nibbles, is set in ADPCM samples. For Format B, a reset signal (PCM-R=11) will also be given when a voice (non-padding) sample is received that was preceded by a padding sample.

The 32 TDM streams on the H.100/H.110 bus are grouped into 8 quads (stream[3:0] is quad 0, stream[7:4] is quad 1, etc.), and the choice of data transfer format can be made on each individual quad using bits 13:6 in register 700h.

Figure 6 to Figure 11 show the different data formats for PCM/ADPCM samples for each of the different compression rates, encoding schemes and transfer modes.

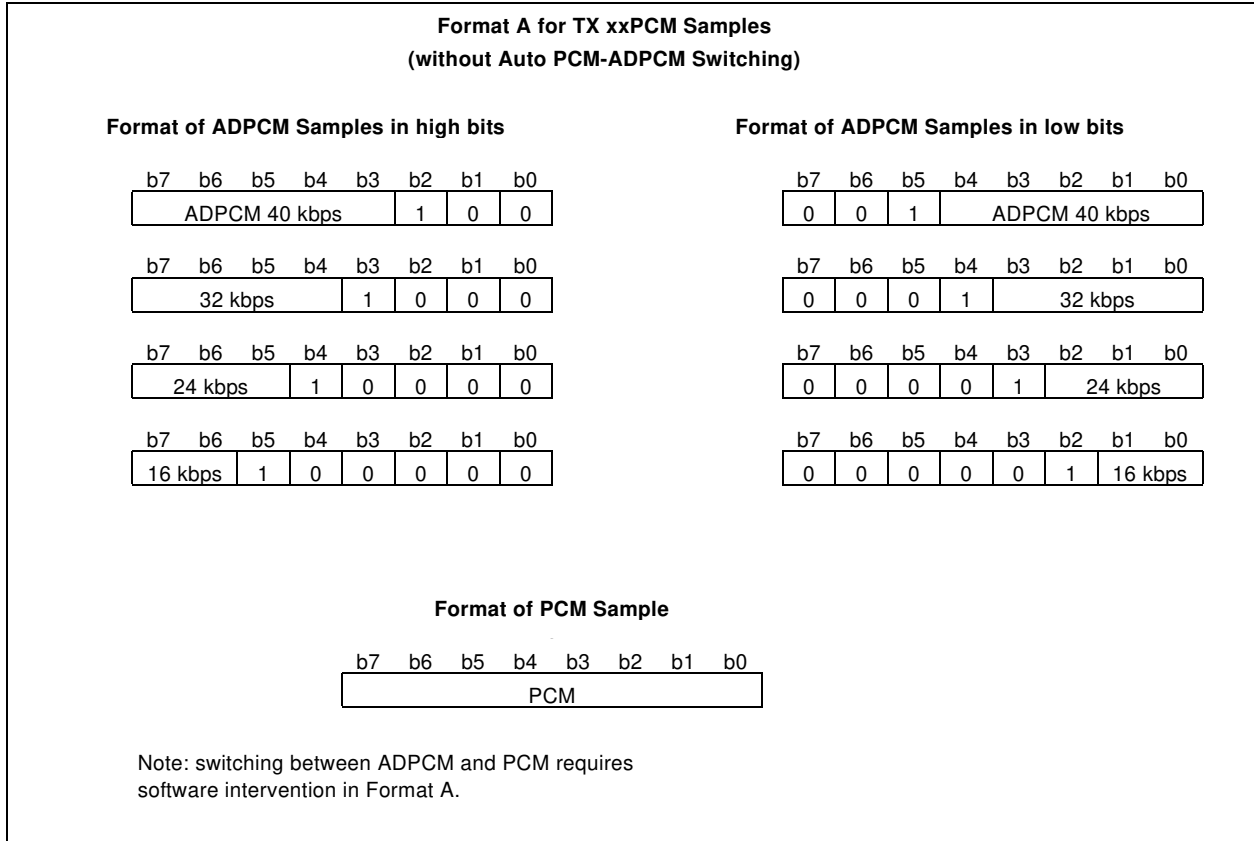


**Figure 6 - PCM/ADPCM Data Format A**

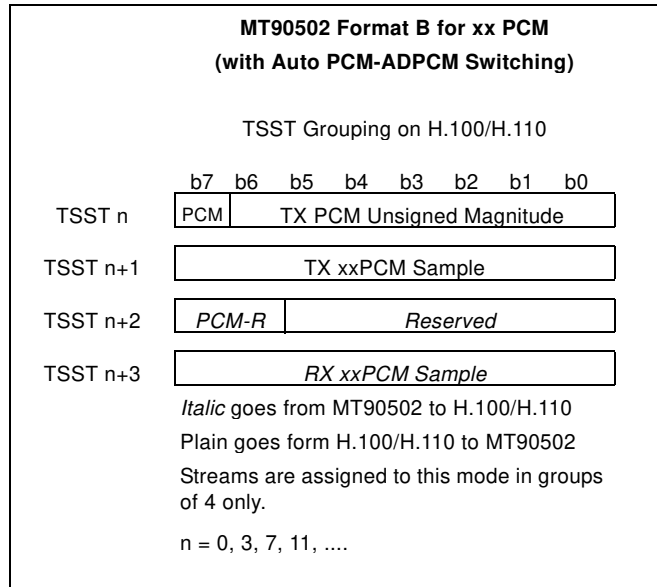


**Figure 7 - PCM/ADPCM RX Data Format A**





**Figure 8 - PCM/ADPCM TX Data Format A**



**Figure 9 - PCM/ADPCM Data Format B**

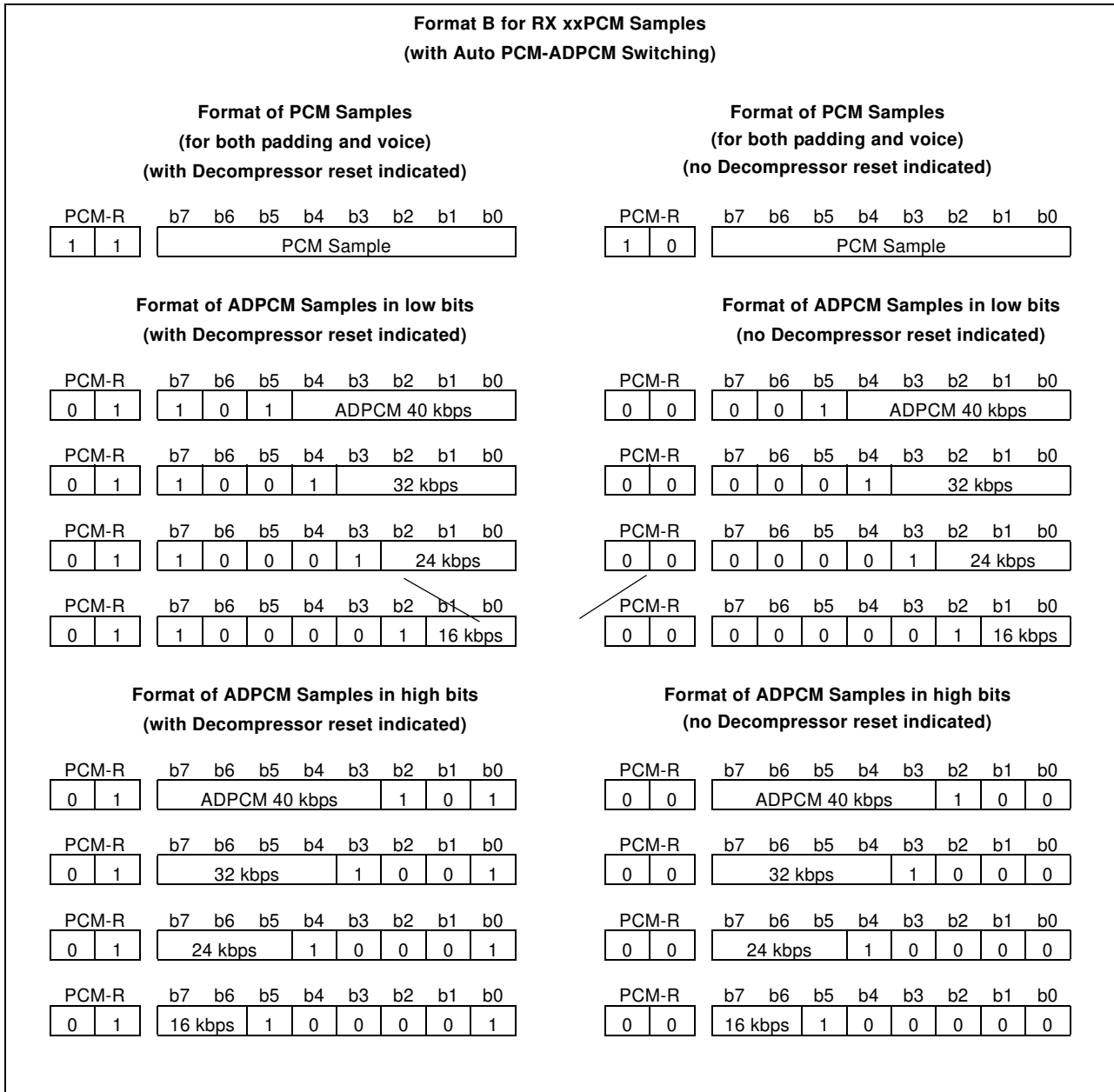
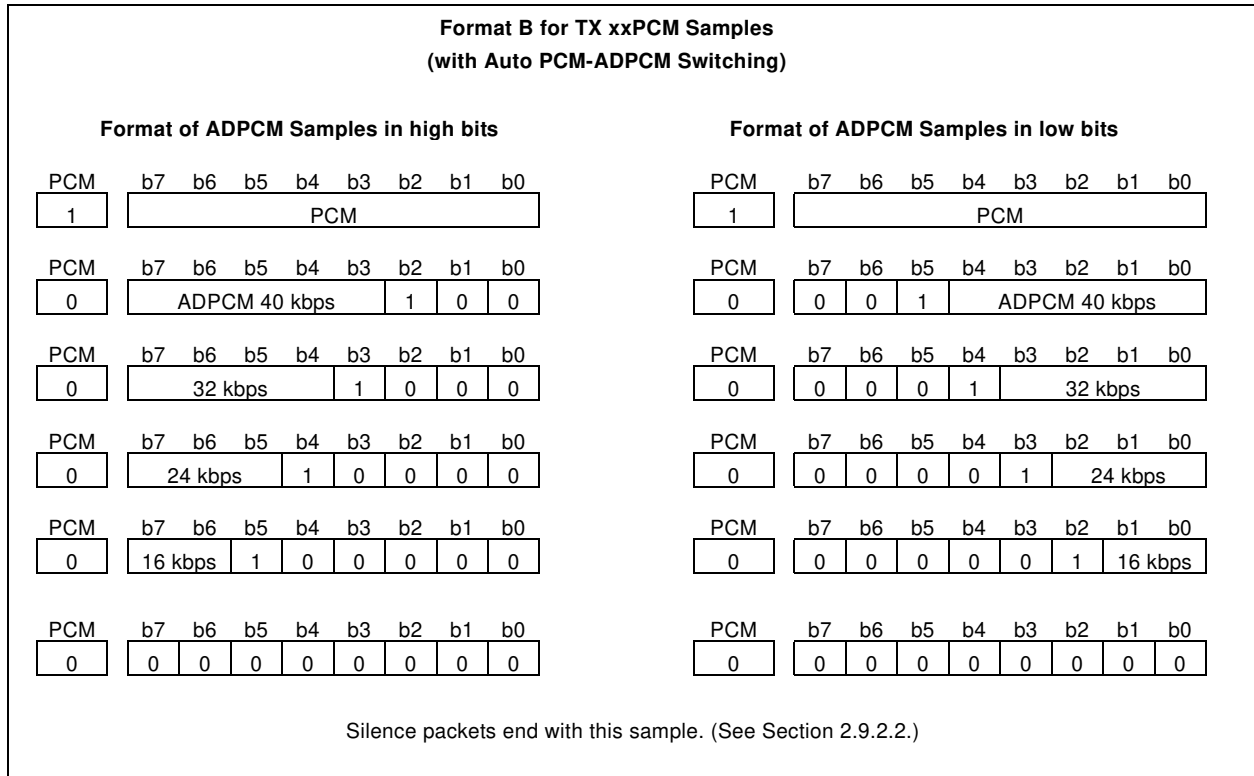


Figure 10 - PCM/ADPCM RX Data Format B



**Figure 11 - PCM/ADPCM TX Data Format B**

**2.2.2.3 Phase Alignment**

In the MT90502 CPS-Packet assembly engine, any given frame can begin a CPS-Packet. Once this frame is established, packets will always be formed every 8 x #EDU frames. In order to control the trade-off between delay and bandwidth efficiency, the MT90502 supports phasing of CPS-Packet construction. For any given EDU value the MT90502 selects a frame as phase 0 and sub-phase 0. Phase specifies the EDU relative to phase 0 and sub-phase specifies a sample offset within the EDU. For example if a 5 EDU connection opened with a phase of 1 and sub-phase of 2 then it will begin assembly 10 frames after a connection of phase 0, sub-phase 0.

Internal phase and sub-phase counters exist to co-ordinate the accumulation of sufficient data for a CPS-Packet with the construction of CPS-Packets. There are multiple independent phase counters, one for each #EDU. Channels with the same setting of #EDU share the same phase counter. Phase counters count from 0 to 1, 2, 3, 4, 7, 9 and 10. One global sub-phase counter exists which counts from 0 to 7 and increments on every frame. Each time the sub-phase counter reaches 0, the phase counters increment. A CPS-Packet is created for a channel when the channel's phase counter equals the channel's phase number, and the sub-phase counter equals the channel's sub-phase number. Both phase and sub-phase numbers are user programmed in the PCM/ADPCM CPS-Packet Assembly Structure, shown in Figure 12.

The MT90502 has the capability of aligning the transmission of PCM and ADPCM CPS-Packets containing the same number of EDUs and destined to the same VC in order to obtain less delay and higher bandwidth efficiency. To accomplish this, the phase and sub-phase fields of the PCM/ADPCM CPS-Packet assembly structure must match the phase and sub-phase field of all other channels that are to be phase aligned on the same VC. Programming the phase and sub-phase fields is done by the CPU upon configuration of the CPS-Packet assembly structure.

By default, all phase and sub-phase counters are free running. Each counter picks up an arbitrary frame as phase 0 or sub-phase 0, then starts its counting. The phasing information, e.g. which frame is phase 0 and sub-phase 0, is internal to the device in this case.

For certain applications some external devices must be aware of what phase and sub-phase the current frame represents, so that they can know where the CPS-Packet boundary is. An example is ADPCM compressor which should only change its compression rate at CPS-Packet boundaries. To indicate a CPS-Packet boundary a phasing TSST structure is introduced to allow an external device to send phasing information to the MT90502. Once a TSST is configured as phasing channel in TX CAM, the data on that TSST will overwrite internal counter(s). When the MT90502 sees a 00h on that TSST, it takes that frame as phase 0 and sub-phase 0. When there is a 01h, it interprets it as phase 0 sub-phase 1, and so on. The external device driving a phasing channel must ensure that a proper counting pattern appears on this channel every frame.

Up to four phasing channels can be created, each with a different XPI value. When loading data to internal counters, extra MSBs will be truncated. For example using a XPI value of '10', a counting pattern of 0 to 63 also serves as two cycles of 0 to 31, during which two 4-EDU CPS-Packets will be assembled.

XPI	Counting Pattern	Replacing Internal Counters
00	0 to 23	#EDU = 3
01	0 to 39	#EDU = 5, and 40/80 frame PCM/ADPCM
10	0 to 63	#EDU = 1, 2, 4, 8
11	0 to 87	#EDU = 44/88 frame PCM/ADPCM

**Table 18 - XPI Selection Table**

2.2.2.4 PCM/ADPCM CPS-Packet Assembly Structure

PCM/ADPCM CPS-Packet Assembly Structures are located in internal TX TDM Control Memory. Each PCM or ADPCM channel will find an entry to its CPS-Packet Assembly Structure by the xxPCM Channel Number assigned in the TX CAM.

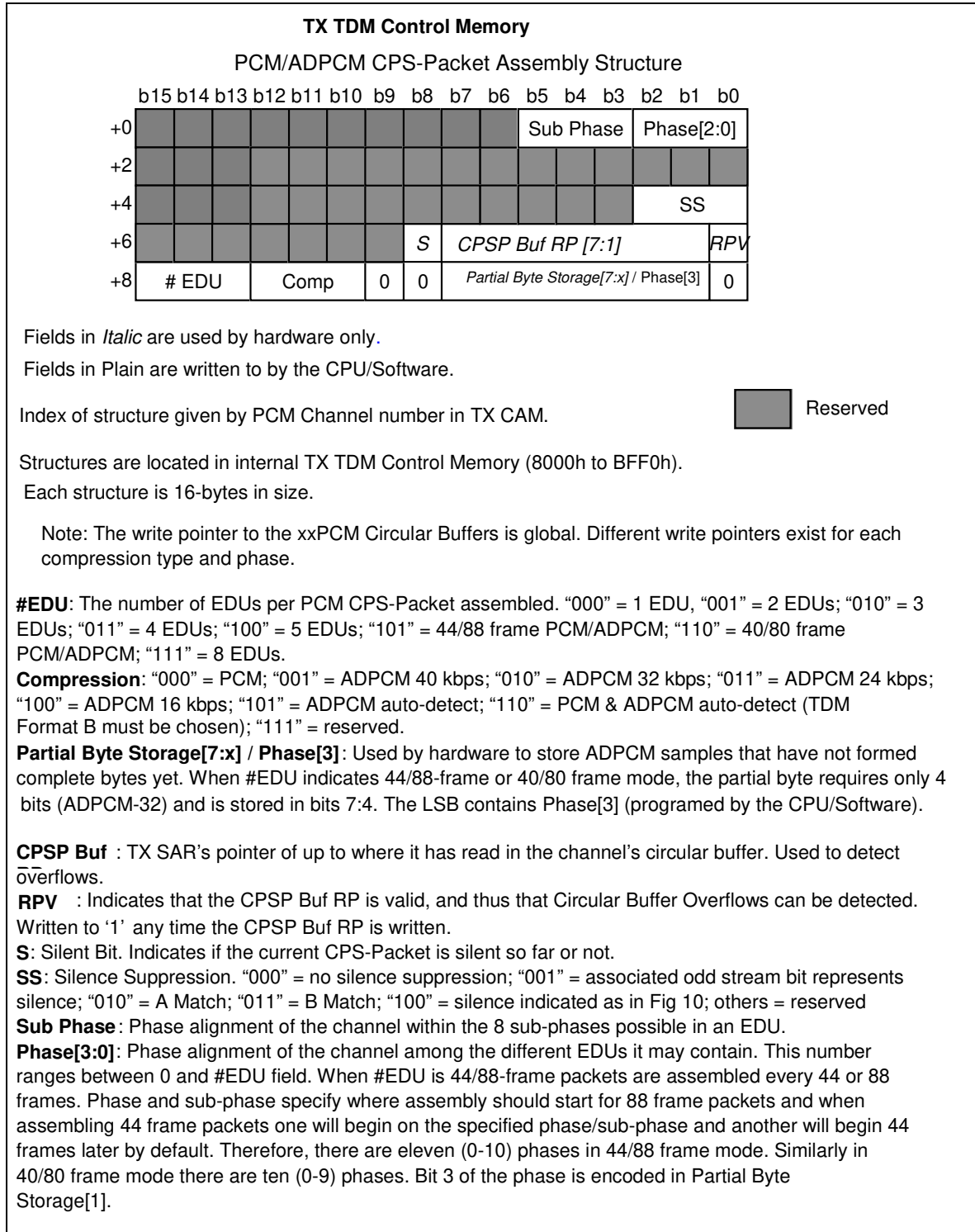


Figure 12 - PCM/ADPCM CPS-Packet Assembly Structure

---

### 2.2.3 Treatment of HDLC Data

Other than PCM and ADPCM data, MT90502 can also send/receive generic AAL2 CPS-Packets directly to/from the H.100/H.110 bus. Those CPS-Packets must be encapsulated in HDLC format before they can be put onto H.100/H.110 bus. The HDLC encapsulation of the data allows an external SSCS engine (e.g., G.723, G.728 or G.729) to pass over CPS-Packets or CPS-Packet payloads to the MT90502 through TDM bus.

HDLC data is accumulated until a flag is received signifying the end of an HDLC packet (see Section 2.10 on page 101). Then, either bit-wise or byte-wise zero-extraction (configurable for the entire chip in register 500h) is performed on the HDLC data. At this stage, the HDLC packets can be re-formatted as AAL2 CPS-Packets for treatment by the TX SAR.

#### 2.2.3.1 HDLC Streams

Any number from 1 to 128 of consecutive time slots on a single H.100/H.110 stream can be grouped as a single HDLC stream to carry HDLC packets. For each TSST, an entry in TX CAM lists the HDLC stream number associated with that TSST; these stream numbers are the same for all TSSTs carrying data for a single HDLC stream. Within a single HDLC stream, one or more HDLC channels can be transported. An HDLC channel carries CPS-Packets destined to the same AAL2 channel. Up to 1023 channels, whether they are xxPCM channels or HDLC channels, are supported by MT90502.

Each HDLC stream must be assigned N consecutive assembly structures in TX TDM Control Memory, as seen in Figure 13, "HDLC CPS-Packet Assembly Structure," on page 40. N is always the same as the number of HDLC channels carried by that HDLC stream with only one exception, that is, when the number of HDLC channels is one, and the TSSTs occupied by the HDLC stream is more than one, N must be 2.

#### 2.2.3.2 Address Bytes

HDLC packets may contain zero, one, or two address bytes that immediately follow the start flag. For HDLC packets containing one or two address bytes, the last address byte can be used to indicate a channel number. If the last address byte is used to indicate a channel number, each of the 256 possible channel numbers can be directed to a different CPS-Packet final assembly structure. Each CPS-Packet, based on its HDLC channel number, can be directed to a different VC/CID. If the value of the last address byte exceeds the allowed number of HDLC channels for that HDLC stream, the channel number 0 will be used for that CPS-Packet. All address bytes not used to indicate a channel number are discarded by the TX TDM module and do not appear in an AAL2 CPS-Packet. The HDLC stream number added to the HDLC address byte will yield the HDLC channel number.

Whether or not the address byte(s) will be used to indicate a channel number is determined independently for each HDLC stream using the "Header Type" field of the HDLC CPS-Packet assembly structure (see Figure 13 on page 40).

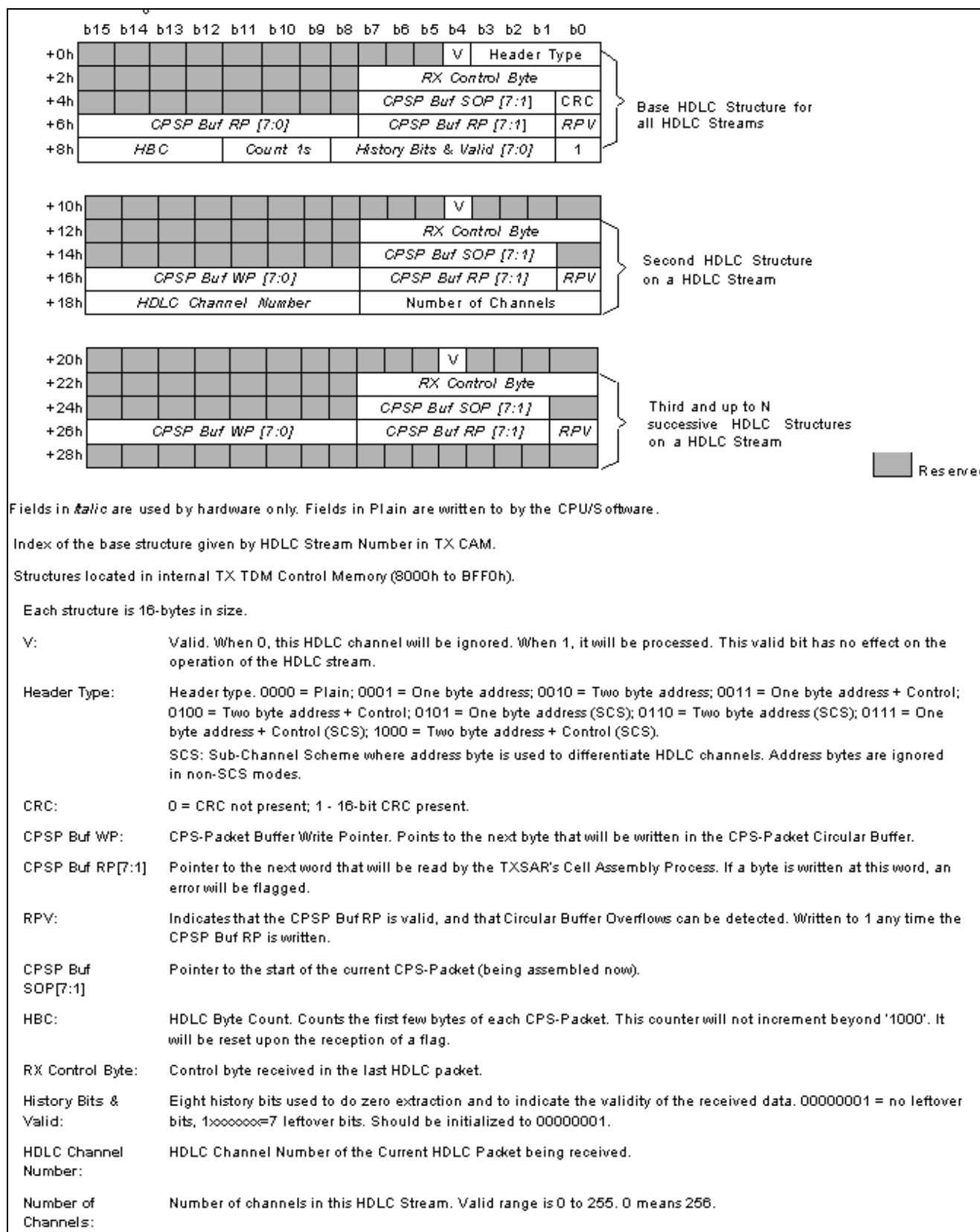
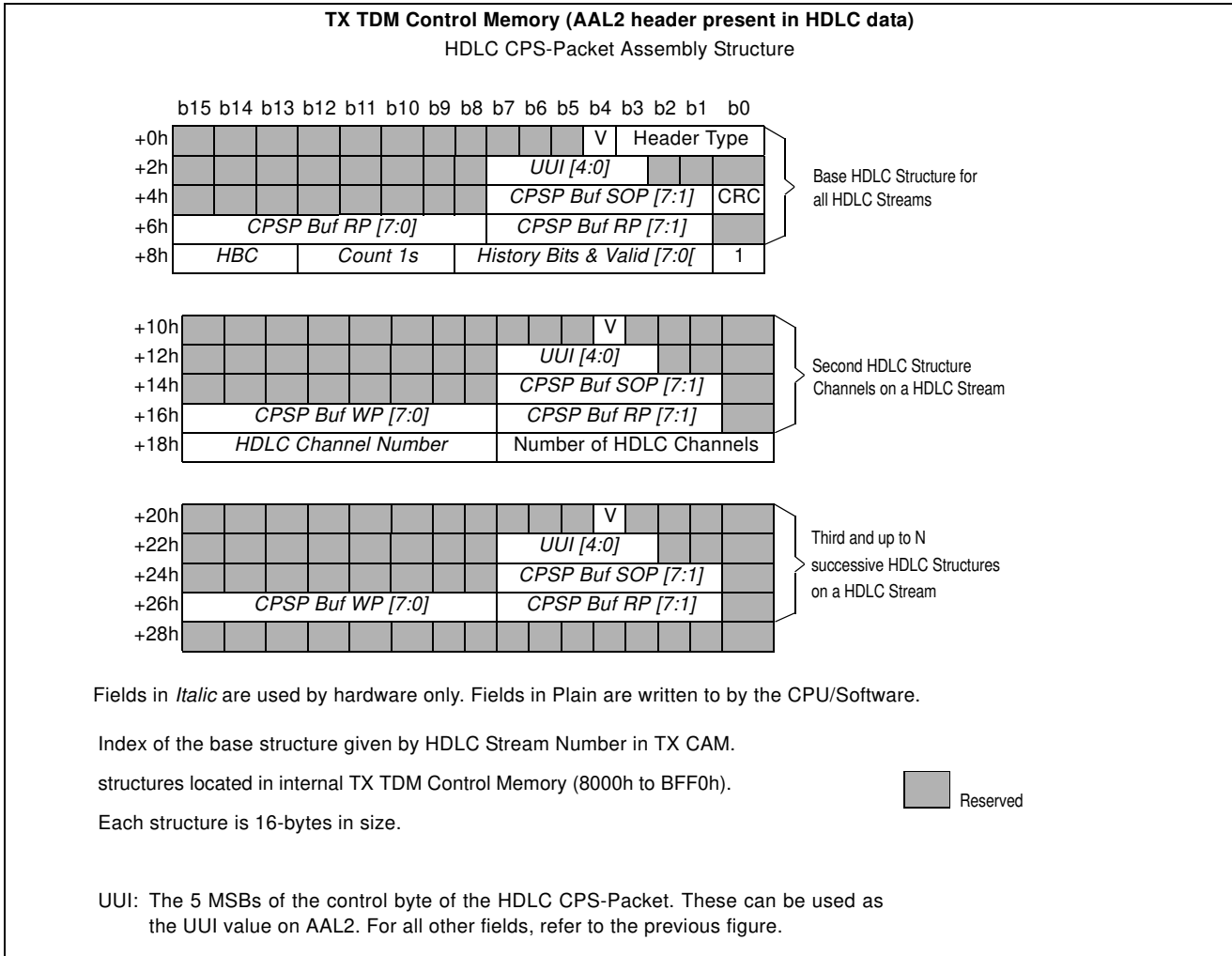


Figure 13 - HDLC CPS-Packet Assembly Structure





**Figure 14 - HDLC CPS-Packet Assembly Structure**

**2.2.3.3 Control Bytes and Length**

In addition to a zero, one, or two byte address, an HDLC packet may also contain a control byte and a two-byte CRC. The 5 MSBs of the HDLC control byte can be used as the UUI in the AAL2 CPS-Packet formed from that HDLC packet.

The TX TDM calculates the length of each HDLC packet and stores it in the Length field of the each TX TDM Write Cache entry.

**2.2.3.4 “Raw” AAL2 CPS-Packets**

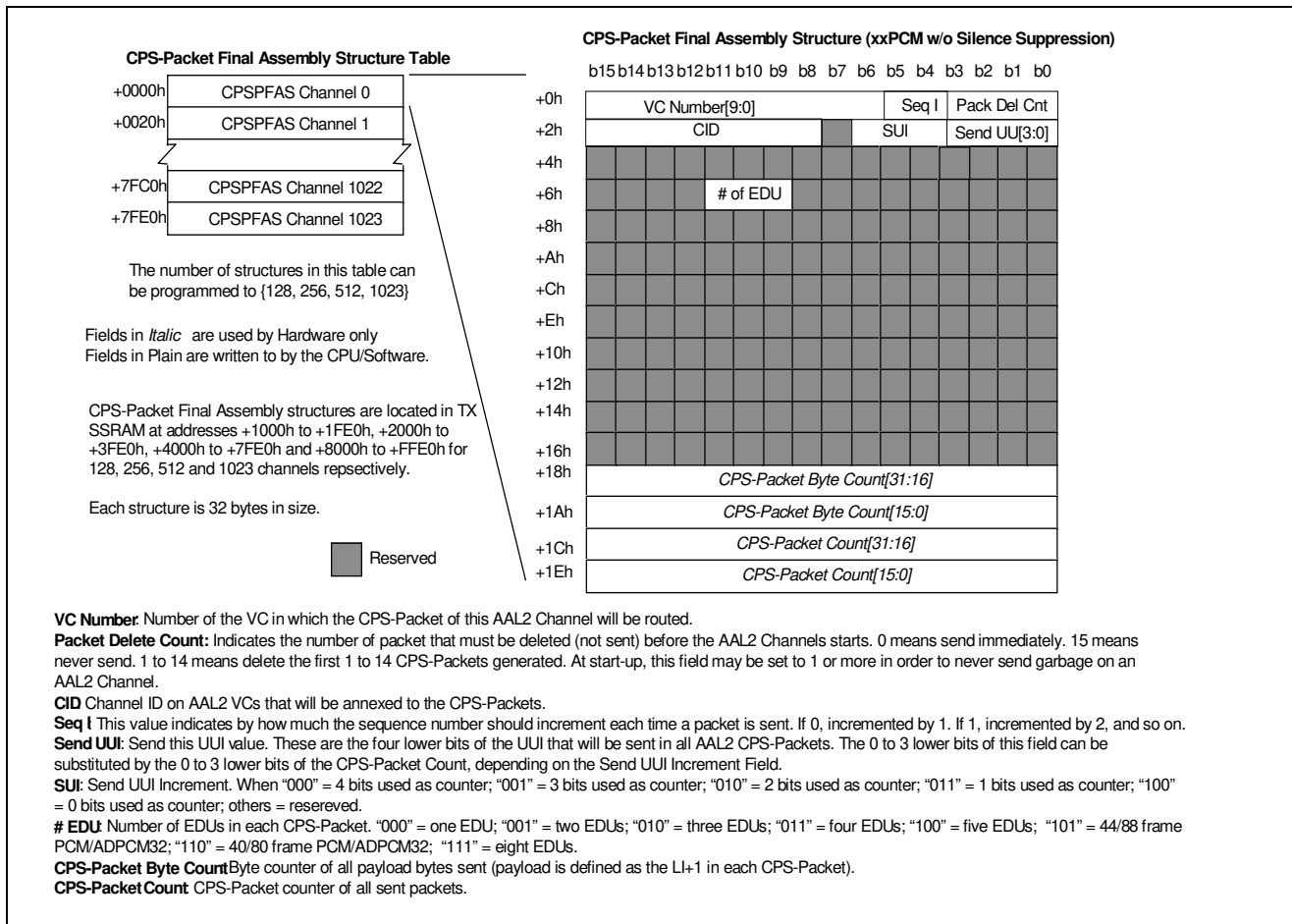
The data field of an HDLC packet can contain an AAL2 CPS-Packet with or without a header. This is configured for all HDLC streams in register 500h. When the packaging\_type field of register 500h is set to ‘1’, all HDLC packets will carry complete CPS-Packets with both header and payload. They will be treated as “raw” AAL2 CPS-Packets.

For “raw” AAL2 CPS-Packets, the CID is ignored and replaced by the CID in the CPS-Packet final assembly structure. The LI is ignored and re-calculated by the TX TDM module. The UUI is passed on as the UUI for the AAL2 CPS-Packet. The HEC is ignored and regenerated based on the new CID/UUI/LI.

### 2.2.4 CPS-Packet Final Assembly

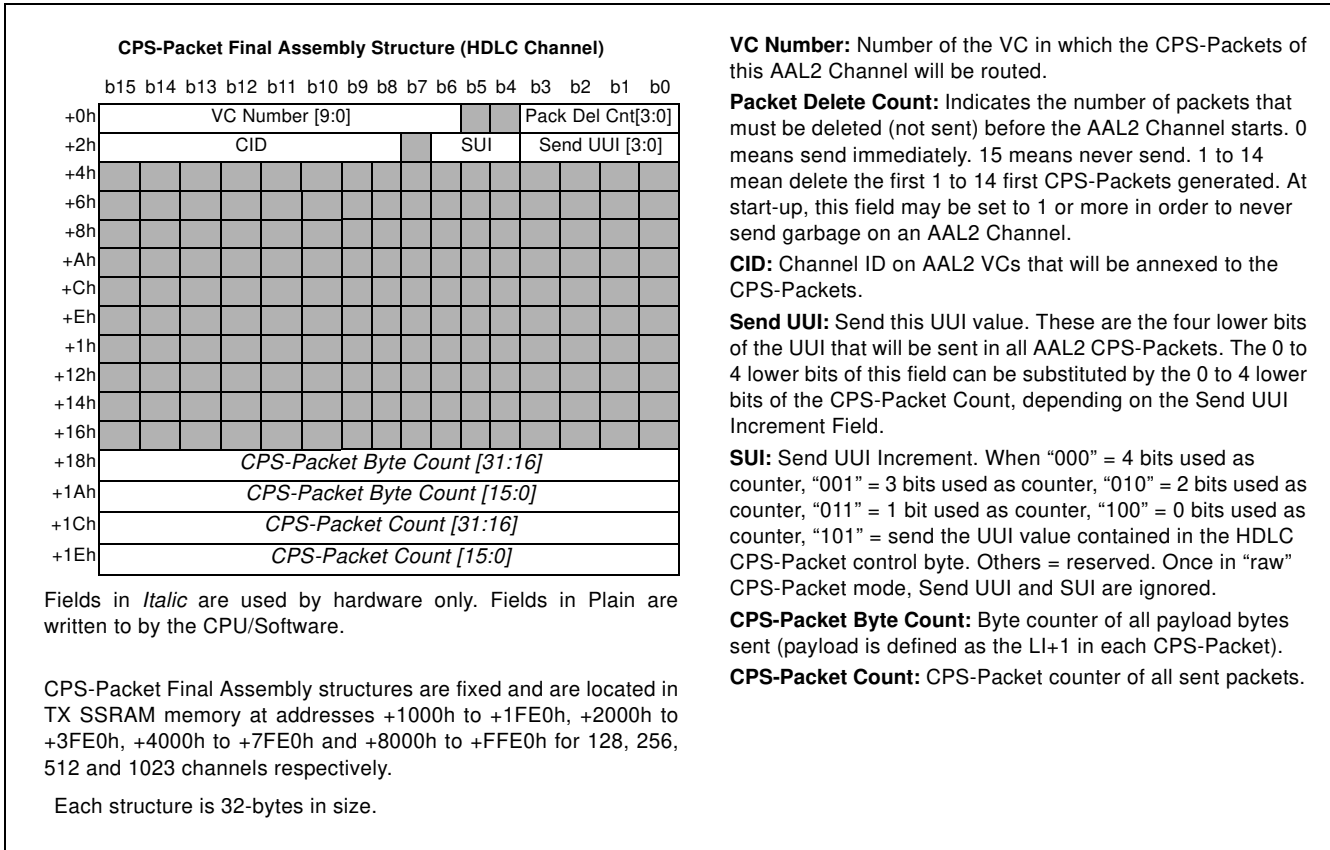
Once PCM/ADPCM and HDLC data is segmented into CPS-Packets, the CPS-Packet final assembly structure is referenced and the packaging is completed through the addition of the CID, UUI, LI and HEC. Finally, the CPS-Packets are directed to the correct location in the CPS-Packet Buffer (according to the channel number for that CPS-Packet) from which the TX SAR will read them.

The UUI can be sourced from a “raw” AAL2 CPS-Packet, the 5 MSBs of the control byte of an HDLC packet, or, the LSBs can be a one-bit to four-bit free-running counter. When the UUI is used as a counter, the MSB must be 0.



**Figure 15 - CPS-Packet Final Assembly Structure (PCM/ADPCM)**

The CPS-Packet final assembly structure contains two monitoring fields: a 32-bit byte count and a 32-bit CPS-Packet count. The CPS-Packet count indicates the number of complete CPS-Packets that have been generated using this structure, and the byte count indicates the number of data bytes contained in all those CPS-Packets, excluding the AAL2 headers.



**Figure 16 - CPS-Packet Final Assembly Structure (HDLC Channel)**

**2.2.4.1 CPU CPS-Packets**

The TX TDM module allows the generation of CPU sourced CPS-Packets. When the CPU requires to transmit an AAL2 CPS-Packet onto a certain VC, it programs the VC number in register 520h, and writes the CPS-Packet's descriptor structure in registers 522h to 526h. The format of the CPS-Packet descriptor structure is given in Figure 17. Word 0 must be written into register 522h, Bytes +2 and +5 to register 524h and Bytes +4 and +5 to register 526h. Finally, it writes a '1' to the cps\_packet\_request bit in register 520h, which begins the request. When the bit clears, the process has concluded and the CPS-Packet has been added to the TX VC's queue.

The following process is used to send a CPU CPS-Packet:

- 1) The payload of the CPS-Packet must be written into some unused portion of the external SSRAM (bank A). The format for writing the payload to memory is shown in the following example. In the example, the CPS-Packet payload is 25-bytes.

address	bits [15:8]	bits[7:0]
cpsp_base + 0 (word 0):	payload 0	payload 1
cpsp_base + 2 (word 1):	payload 2	payload 3
...	...	...
cpsp_base + 24 (word 12):	payload 24	xxxxxxxx

**Table 19 - Format for writing CPS-Packet payload to memory**

2) A CPS-Packet descriptor is written to registers 522h, 524h, and 526h. The value to which each field must be set is indicated in Figure 17, “CPS-Packet Descriptor Queue,” on page 45.

CPS-Packet base address: Base address of CPS-Packet’s payload bytes. The address is relative to the base address of bank A. Thus, if payload bytes 0 and 1 of the CPS-Packet are located at address 400126h, then the address inserted is 00126h.

WB: Set to ‘1’. Write back must be disabled for CPU sourced CPS-Packets.

CID: The value of the CID of the sent CPS-Packet. Any 8-bit value is valid, with the exception of 00h, which is illegal (AAL2 specification).

CPU: Set to ‘1’. Indicates that the CPS-Packet is sourced by the CPU.

Size: As mentioned earlier, the payload of the TX CPU CPS-Packets can be inserted in any unoccupied portion of SSRAM bank A. A portion of bank A may be reserved for a virtual buffer. This buffer may be used to store the payload bytes of all CPU sourced CPS-Packets. In the case where the payload of a CPS-Packet is inserted at the end of the buffer and wraps to the beginning, the Size field indicates where to wrap to. Take for example a CPS-Packet of 10 payload bytes, and the Size field set to “0000” (256 bytes). Thus, the CPS-Packet must reside in a 256 byte boundary of the external memory. Now suppose that the CPS-Packet is written to address 1FEh. This implies that the payload bytes must be written as follows:

address	bits [15:8]	bits[7:0]
100h (word 1):	payload 2	payload 3
102h (word 2):	payload 4	payload 5
104h (word 3):	payload 6	payload 7
106h (word 4):	payload 8	payload 9
...	...	...
1FEh (word 0):	payload 0	payload 1

**Table 20 - Example of Written Payload Bytes**

Length: Set to the length of the CPS-Packet, minus 1 (i.e., LI field).

UUI: The value of the UUI field of the sent CPS-Packet. Any 5-bit value is valid.

Note: CPU CPS-Packets sent out on voice CIDs must use UUIs 16-31. They can use all UUIs on management CIDs (1-7).

3) Once the descriptor is written to the registers, the TX TDM module of the MT90502 is made aware of the CPS-Packet through register 520h. The VC number of an open AAL2 VC is written in bits [9:0], and the request bit, bit [10] of the register, is set to ‘1’. Finally, the register is written to. The CPU CPS-Packet has been written when the request bit of the register is cleared by hardware.

2.2.4.2 CPS-Packet Descriptor Queue

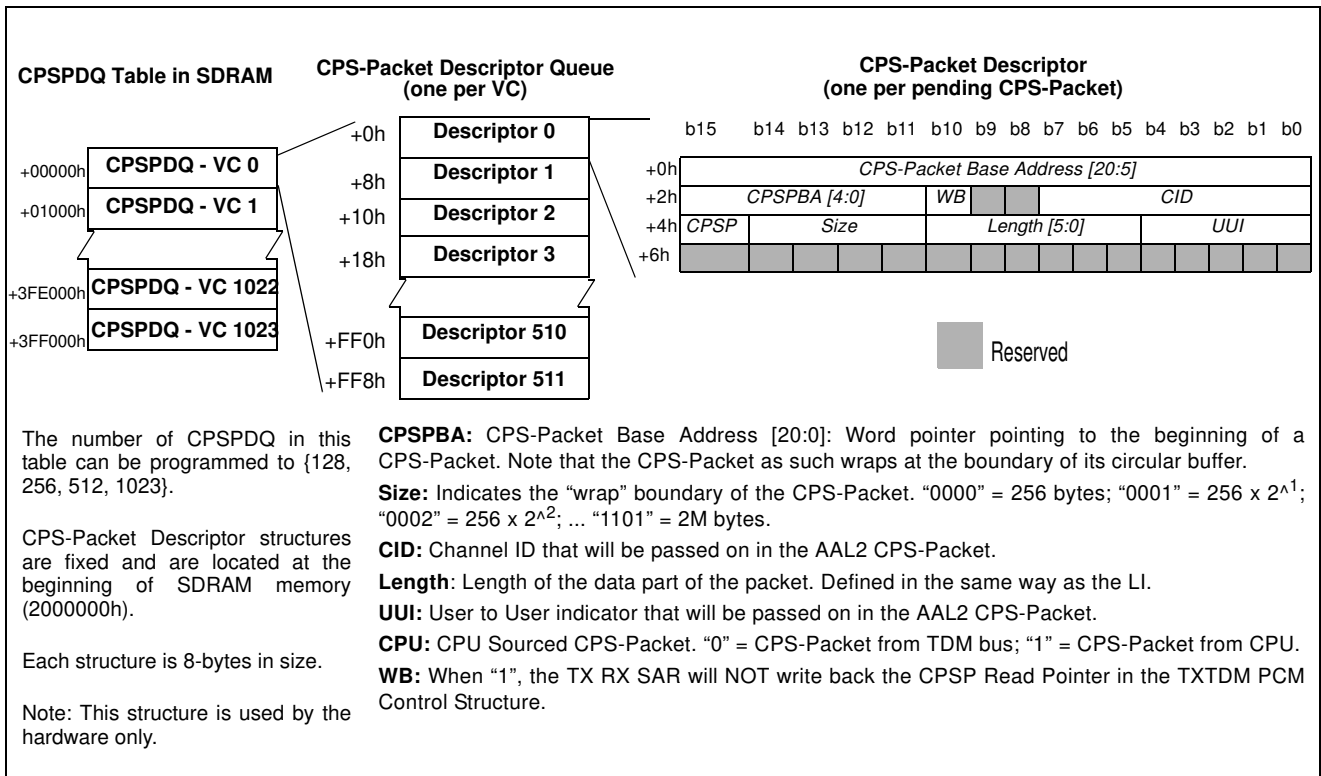


Figure 17 - CPS-Packet Descriptor Queue

2.2.4.3 TDM Frame Buffer

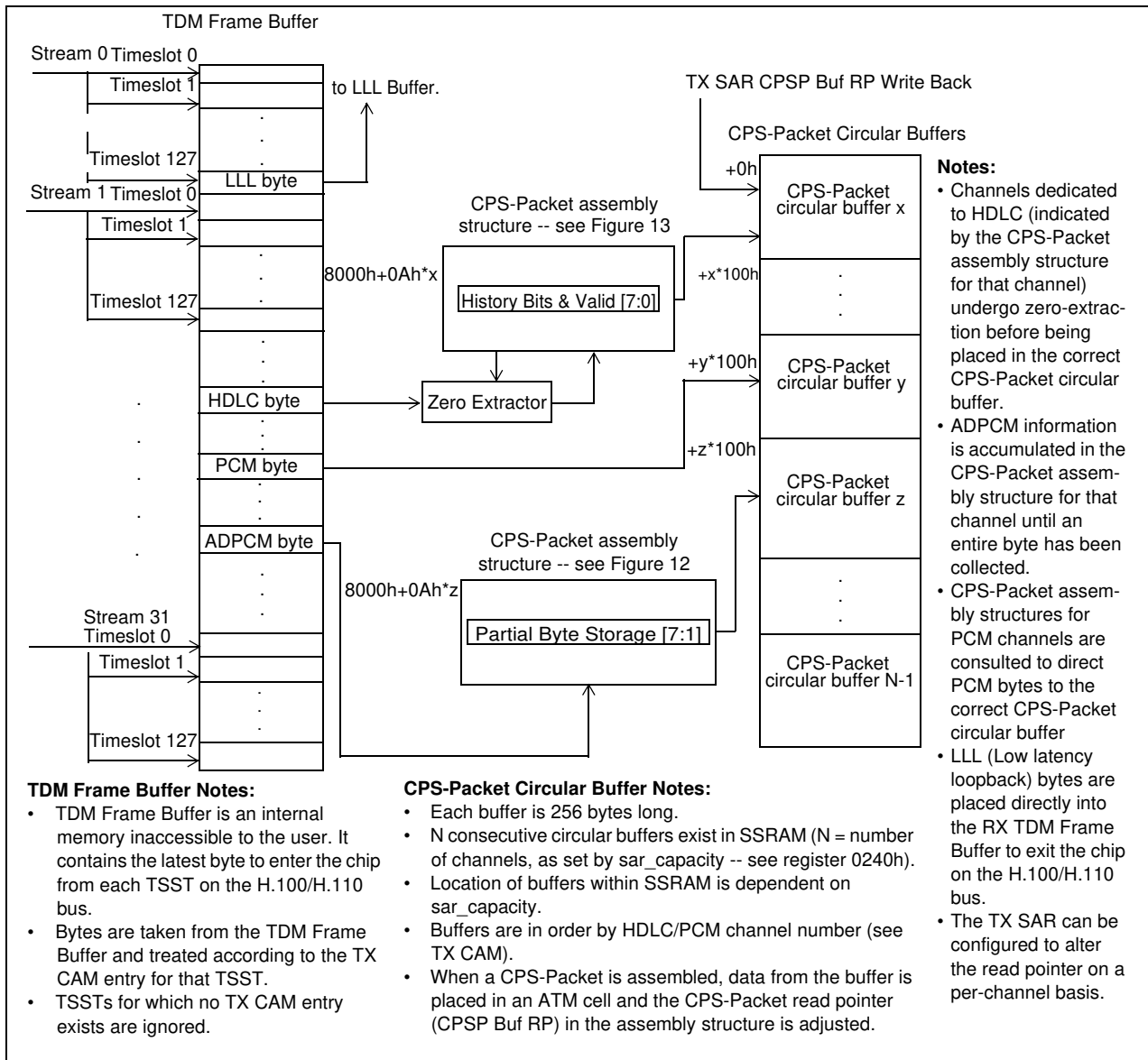


Figure 18 - TDM Frame Buffer

## 2.3 TX SAR

### 2.3.1 Overview

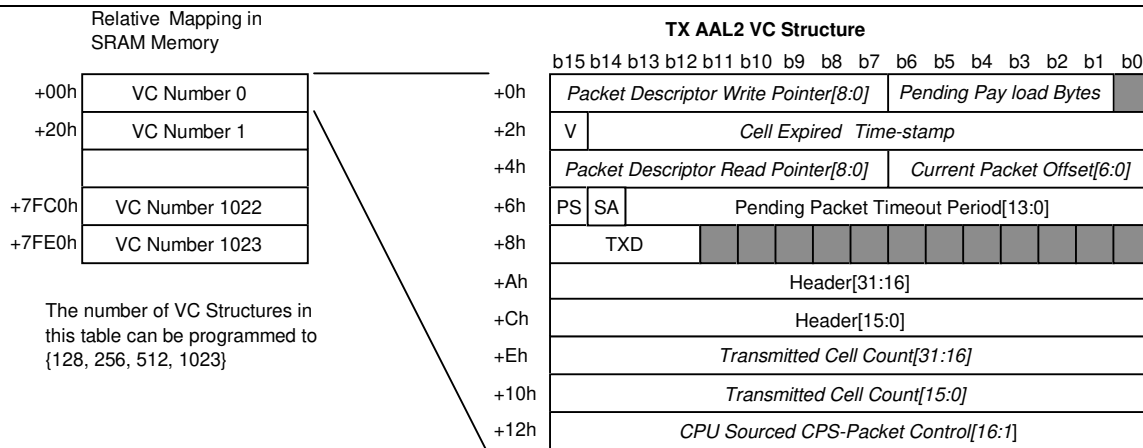
The purpose of the TX SAR Module is to assemble AAL2 CPS-Packets into AAL2 ATM cells to be transmitted to the UTOPIA Module. The TX SAR Module has no external interfaces, and does not control any of the MT90502's pins. However, it is the connecting block between the Tx TDM module and the UTOPIA Module in the data transmission direction.

### 2.3.2 AAL2 Cell Assembly Process

The AAL2 cell assembly process is directed by the TX AAL2 VC Structure (see Figure 19 on page 47). This structure is referenced and references all the structures necessary to compile an AAL2 ATM cell. It is employed by the TX SAR module to raise an event for an AAL2 ATM cell. It constructs the ATM cell payload by referencing the CPS-Packets via the CPS-Packet Descriptor Queue (SDRAM), which contains the CPS-Packet addresses in the CPS-Packet Circular Buffer (TX SSRAM). The structure also contains the ATM header data, time-out data, next CPU transmit CPS-Packet pointer, UTOPIA port destination and a free running counter of transmitted ATM cells.

It is the responsibility of the software to program the following in the TX AAL2 VC Structure (Figure 19).

- time-out period
- ATM header associated with the VC
- the TXD (TX Destination) field



The TX AAL2 VC Structures are of fixed size and are located at the beginning of the TX SSRAM memory space (+0000h) through to addresses +0FE0h, +1FE0h, +3FE0h and +7FE0h for 128, 256, 512 and 1023 channels respectively. Each structure is 32 bytes in size.

Fields in *Italic* are used by Hardware only.  
Fields in Plain are written to by the CPU/Software.



Figure 19 - TX AAL2 VC Structure

Field	Byte Address Offset/Bits Used	Description of Field
Packet Descriptor Write Pointer	0/b[15:7]	Written by the TX TDM module to denote the address of next CPS-Packet Descriptor in the CPSPDQ. The CPSPDQ is deemed full when the Packet Descriptor Write Pointer is one less than the Packet Descriptor Read Pointer.
Pending Payload Bytes	0/b[6:1]	Indicates the number of pending payload bytes (CPS-Packet payload and header bytes) available to the associated VC. The range is 0 to 46. This field is updated by the TX TDM process with the remaining ATM cell pending payload bytes when a Cell Assembly Event is raised. Reset is performed by the TXSAR's scanning process.
V: Valid Bit	+2/b[15]	Associated to the Cell Expired Time-Stamp. If this bit is '1', then the time-stamp must be taken into account. Otherwise, it is ignored and no cells can be assembled.
Cell Expired Time Stamp	+2/b[14:0]	This is an absolute time stamp at which a pending cell must be transmitted. This field is set by the TDM process any time a CPS-Packet is written that starts at or overlaps a cell boundary. It will be written to the current time plus the Pending Packet Time-out Period field in this structure. This field will be cleared by the TDM process any time no CPS-Packets are pending. It will also be cleared by the TXSAR's scanning process if it is detected to have timed-out, and a cell Transmission Event is scheduled by this same process. The time unit for the time-out is 125 $\mu$ s.
Packet Descriptor Read Pointer	+4/b[15:7]	Read pointer to the current CPS-Packet (Descriptor) in the CPSPDQ. Updated by the TXSAR.
Current Packet Offset	+4/b[6:0]	This field indicates how many bytes are remaining in a CPS-Packet when the CPS-Packet is straddling two cells.
PS: Prevent Scanning	+6/b[15]	When this bit is '1', the pending packet time-out period will be ignored, and the V bit will never be written back to '1'.
SA: Send Always	+6/b[14]	When '1', a maximum of one CPS-Packet will be contained in each cell. The remainder of the last cell to contain a CPS-Packet will always be zero padded to make sure that no other CPS-Packets join it.
Pending Packet Time-out Period	+6/b[13:0]	This is the maximum period set by the software that a Pending CPS-Packet exist before transmission. The value is in multiples of 125 $\mu$ s. 0 means between 0 and 124 $\mu$ s.
TXD: Transmission Destination	+8/b[15:12]	000 do not send 0xx1 UTOPIA TX Port A 0x1x UTOPIA TX Port B 01xx UTOPIA TX Port C 1000 UTOPIA RX Port A 1001 UTOPIA RX Port B 1010 UTOPIA RX Port C others reserved

Table 21 - AAL2 VC Structure Fields

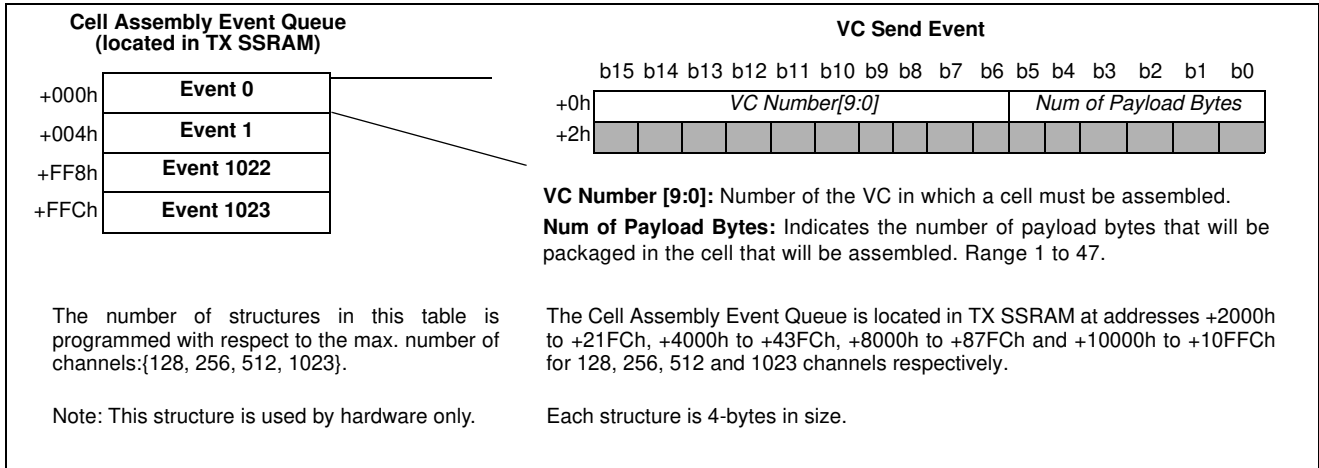


Field	Byte Address Offset/Bits Used	Description of Field
Header[31:0]	+A/b[15:0] +C/b[15:0]	ATM Cell Header in the following order (starting from bit 31): GFC, VPI, VCI, PT, CLP
Transmitted Cell Count	+E/b[15:0] +10/b[15:0]	Free running transmitted cell counter.
CPU Sourced CPS-Packet Control	+12/b[15:0]	This field points to the first word of the next CPU sourced CPS-Packet.

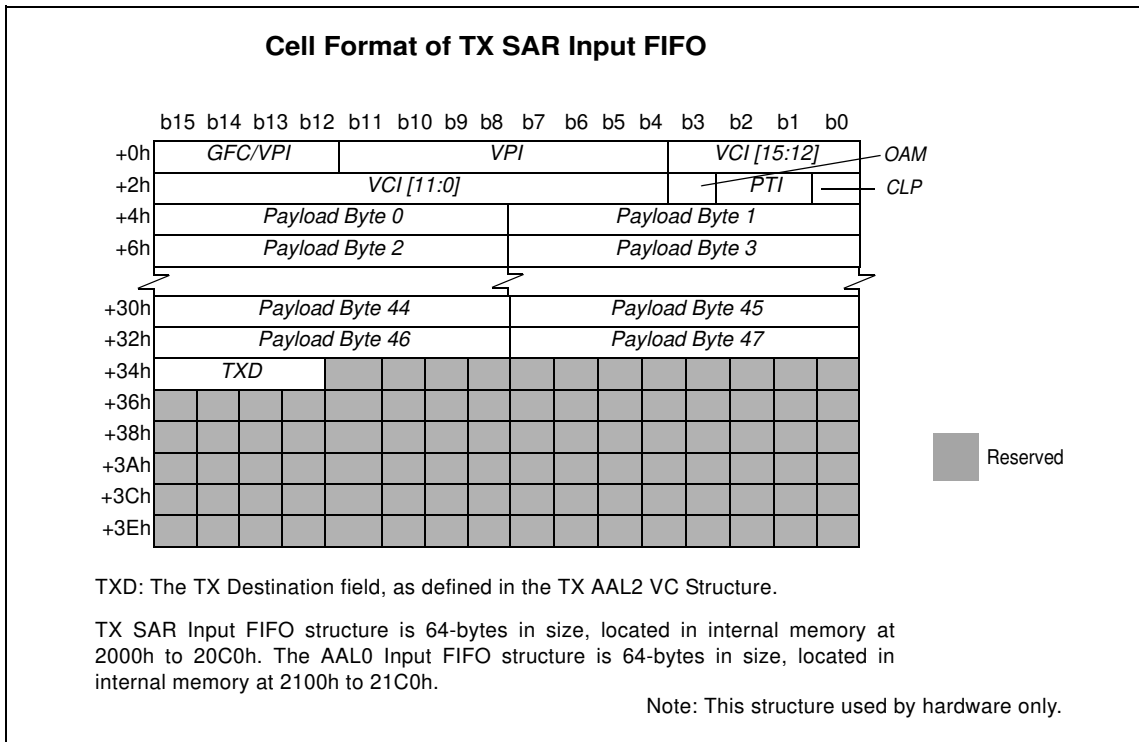
**Table 21 - AAL2 VC Structure Fields (continued)**

### 2.3.2.1 AAL2 Cell Assembly Procedure

- The CPS-Packet Assembly Structure raises a CPS-Packet event upon the alignment of the sub-phase and phase (See Figure 12 - PCM/ADPCM CPS-Packet Assembly Structure).
- The CPS-Packet Assembly Structure is mapped to the CPS-Packet Final Assembly Structure by the absolute address of both structures.
- The CPS-Packet Final Assembly Structure reads the 'CPS-Packet Descriptor Write Pointer' in the AAL2 VC Structure to determine the next address to write the current CPS-Packet.
- The CPS-Packet Assembly Structure retrieves the payload data from the TX TDM Frame Buffer and writes it to the CPS-Packet Circular Buffer in TX SSRAM.
- In preparation for the next CPS-Packet, the CPS-Packet Final Assembly Structure then updates (i.e. writes) the 'Packet Descriptor Write Pointer' in the 'AAL2 VC Structure'.
- The 'Pending Payload Byte' field is updated by the TX TDM module when a CPS-Packet event is raised.
- When more than one CPS-Packet event is raised within the same CT\_FRAME, each CPS-Packet event generates its corresponding CPS-Packets Final Assembly Structure in the TX TDM process. The TX SAR sequentially steps through each CPS-Packet Final Assembly Structure and for each process consults the associated AAL2 VC Structure to determine if enough payload has accumulated to generate a VC Send Event (see Figure 20, "Cell Assembly Event Queue," on page 50). If enough payload is present then the TX SAR raises a VC Send Event and updates the Pending Payload Byte field with the remaining number of pending payload bytes. However, a VC Send Event may also be generated via the time-out period specified in the AAL2 VC Structure. All VCs have a time-out period that specifies the maximum time that any CPS-Packet destined to that VC can wait before a cell containing them is assembled. The time-out period is defined in CT Frames (i.e., multiples of 125  $\mu$ s) in the AAL2 VC Structure.
- The ATM header information is contained within the AAL2 VC Structure.
- The Packet Descriptor Read Pointer in the AAL2 VC Structure points indirectly to the complete CPS-Packet via the CPS-Packet Base Address in the Descriptor of the CPS-Packet Descriptor Queue.
- The CPS-Packet Descriptor Queue contains Descriptors for each complete CPS-Packet. The Descriptors contained the CPS-Packet header information and the absolute address of the CPS-Packet in the TX SSRAM.
- The VC Number in the CPS-Packet Final Assembly Structure points to the VC Send Event structure. A VC Send Event structure is only generated when enough payload is obtained to fill an ATM cell or the cell has past the expiry period. This is denoted by the Pending Payload Byte or Cell Expiry Time Stamp field in the AAL2 VC Structure.
- Upon a VC Send Event, the TX SAR writes a complete ATM cell (see Figure 21 on page 50) to the TX SAR Input FIFO (4 cell depth).



**Figure 20 - Cell Assembly Event Queue**



**Figure 21 - TX Cell Format**

### 2.3.3 AAL0 Cells

The TX SAR has the ability to insert AAL0 cells in the transmission direction. AAL0 cells are generated by the CPU and are directed to a 4-cell internal FIFO memory. It is necessary for the CPU to read the AAL0\_MONITOR register (310h) to ascertain if the 4-cell internal FIFO memory can accommodate the pending AAL0 cell. The destination of the AAL0 cell is determined by the TX Destination field.

The aal0\_input\_fifo is 4 cells deep in the MT90502, however, it is the hardware that manages the pointers. The software will write the cell to the first entry (0x2100 to 0x213E) and then it will set the register indicating that there is a new cell. There is more than 1 cell to write at a time and the aal0\_input\_cell\_written is set after each cell.

## 2.4 RX SAR

The RX SAR module performs processing on ATM cells received from the UTOPIA module. Cells placed in the RX SAR Output FIFO by the UTOPIA module are first read, then divided into the component CPS-Packets, and finally written into the appropriate CPS-Packet data circular buffer in external memory. The processing involves

- identifying the VC corresponding to the cell
- examining the cell for errors
- determining the routing of each CID, and
- disassembling the cell's CPS-Packets.

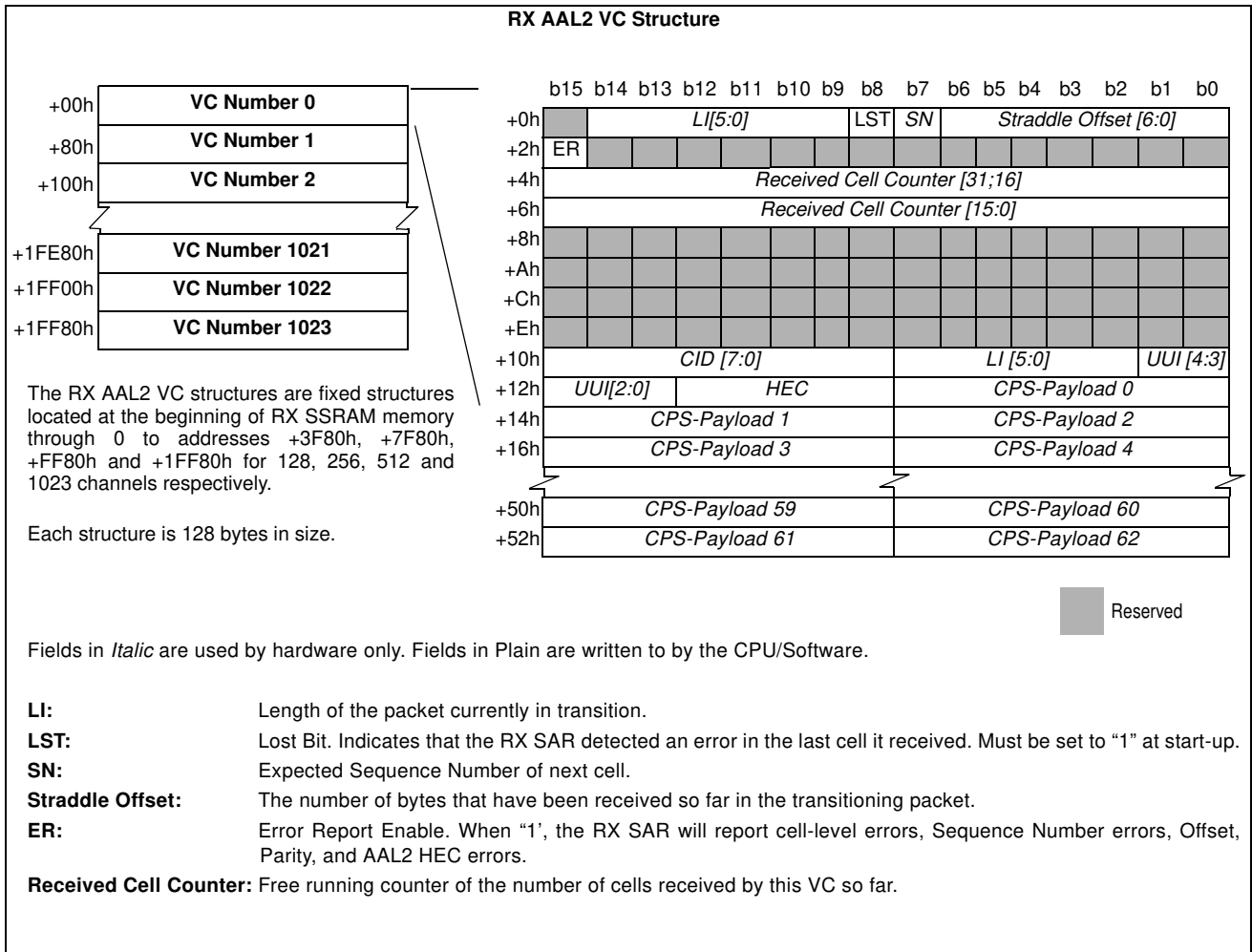
The status of the circular buffers is monitored for underruns and overruns. The RX SAR module also directs data cells to the data cell FIFO from which the CPU can read them. The RX SAR module supports PCM and ADPCM CPS-Packets of 1, 2, 3, 4, 5, or 8 EDUs, 32K ADPCM 80 frame CPS-Packets, 32K ADPCM 88 frame CPS-Packets, PCM 44 frame CPS-Packets, HDLC CPS-Packets of 1 to 64-bytes in length, and can accommodate packets straddling multiple cells.

### 2.4.1 RX AAL2 VC Structure

For each VC directed to the RX SAR, an RX AAL2 VC structure exists in external memory. The RX AAL2 VC structures contain the following:

- information required to detect errors
- a free-running received cell counter
- bytes received of from a CPS-Packet that is straddling the current and next AAL2 cells.

When a VC is opened, the lost bit must be set, the error report enable bit must be set (if per-VC errors are to be reported) or reset (if no per-VC errors are to be reported), and the received cell counter must be initialized to 0.



**Figure 22 - RX AAL2 VC Structure**

### 2.4.2 CID Structure

Once cells are received by the RX SAR, they are broken down into their component CPS-Packets, and analysed on a per-CID basis. The RX SAR contains 255 RX CID descriptor structures per VC, each one indicating where CPS-Packets containing that CID should be routed. Each CPS-Packet can be treated either as a PCM channel, an HDLC channel, a CPU CPS-Packet, or it can be discarded entirely. This routing is based on the UUI of the CPS-Packet.

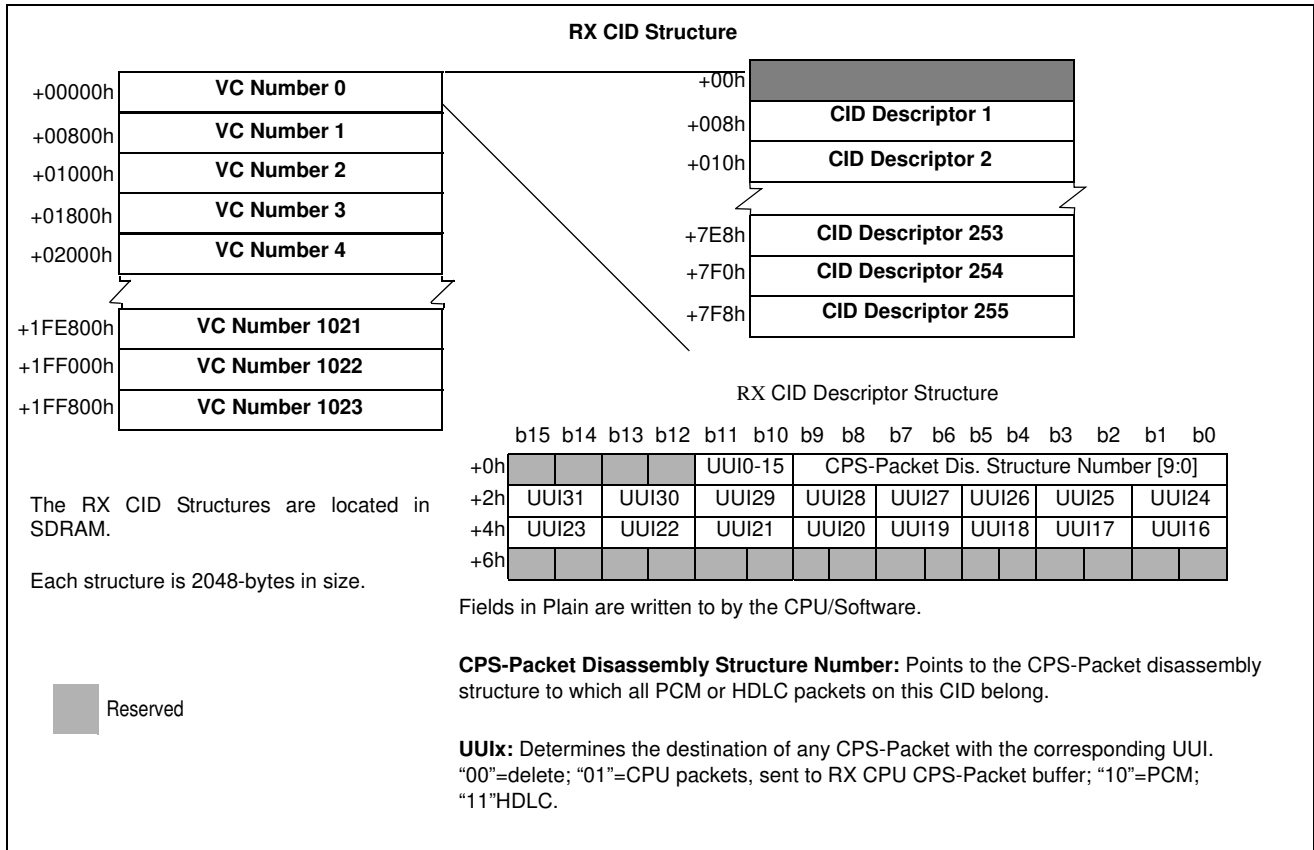
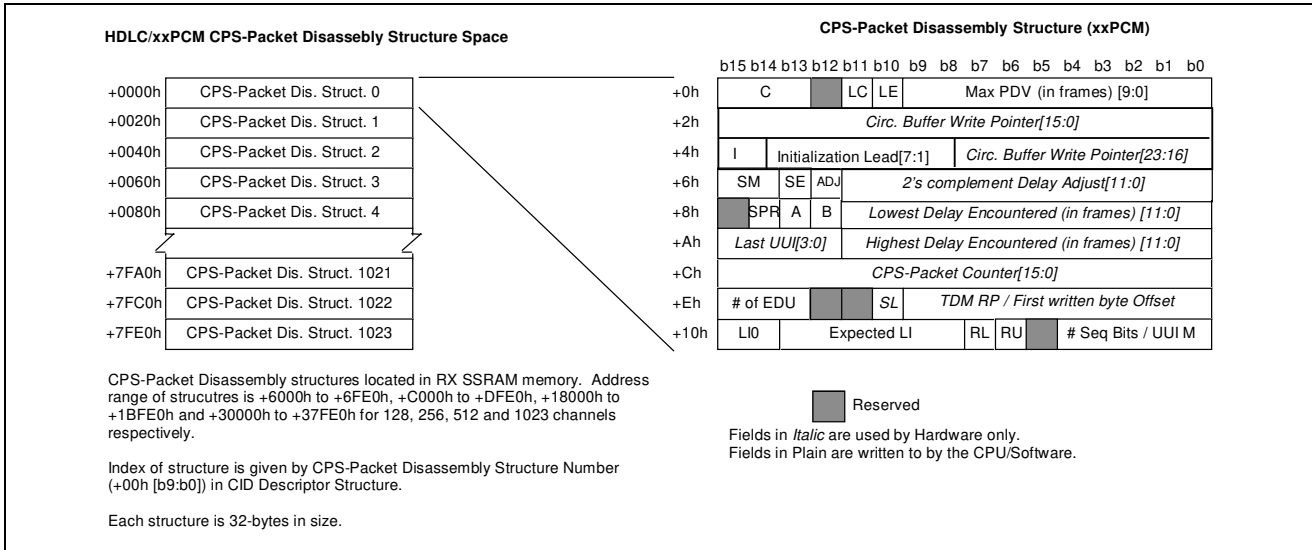


Figure 23 - RX CID Structure

The CPS-Packet Disassembly Structure field indicates for PCM and HDLC channels the CPS-Packet disassembly structure to be used for CPS-Packets identified by the CID Descriptor Structure. UUIs 0 to 15 are routed together because the 4 LSBs of the UUI can be used as a sequence counter. The remaining 16 UUIs are routed separately. Each one can be destined to the CPU, to the PCM or HDLC channel, or deleted entirely.

### 2.4.3 CPS-Packet Disassembly Structures

CPS-Packets routed to PCM or HDLC channels are treated by the CPS-Packet disassembly structure. Though the CPS-Packet disassembly structure is in the same location for PCM and HDLC channels, the fields are interpreted as one or the other depending on the value of the appropriate UUI field in the corresponding CID descriptor structure. The fields in the CPS-Packet disassembly structure indicate the form of the channel and the type of treatment required on the CPS-Packet to be disassembled.



**Figure 24 - CPS-Packet Disassembly Structure (PCM/ADPCM)**

Field	Name of Field	Byte Address Offset/Bits Used	Description of Field
C	Compression Ratio	+0/b15:b13	'000' = 64 kbps, '010' = 40 kbps, '011' = 24 kbps, '100' = 16 kbps, '101' = ADPCM auto-detect (can change between 16, 24, 32 and 40 kbps), '110' = PCM & ADPCM auto-detect (can change between 16, 24, 32, 40, 64 kbps), others = reserved.
LC	CPS-Packet Loss Compensation Enable	+0/b11	0: CPS-Packet Loss Compensation circuit disabled. 1: CPS-Packet Loss Compensation circuit enabled.
LE	Loss Error Report Enable	+0/b10	This bit must be set in order for CPS-Packet loss errors (e.g. losses due to silence suppression or to network quality) to be reported on this CID. CPS-Packet loss errors are detected by circular buffer overflow, or due to CPS-Packet descriptor queue overrun (in HDLC), and by sequence number errors (in PCM).
Max PDV (in frames) [9:0]	Max PDV (in frames)	+0/b9:b0	This indicates the maximum quantity of PDV that the AAL2 Channel will incur. It is measured in frames (i.e. 125 us). A value of 0 implies that there is no PDV on the AAL2 Channel. The maximum value for this field depends on the Number of EDUs and the size of the RX Circular Buffers. It is defined as ((Size of circular buffer) - 8*(Number of EDUs) - 4) / 2.
Circ. Buffer Write Pointer [23:0]	Circular buffer write pointer	+2/b15:b0, +4/b7:b0	Pointer to the next memory location to be written upon the arrival of the next CPS-Packet.

**Table 22 - CPS-Packet Disassembly Structure (PCM/ADPCM) Fields**

Field	Name of Field	Byte Address Offset/Bits Used	Description of Field
I	Structure Initialized bit	+4/b15	Structure initialized by hardware bit. Written to '0' by software upon opening the channel, written to '1' by hardware upon receiving the first CPS-Packet.
Initialization Lead [7:1]	Initialisation Lead	+4/b14:b8	Delay in frames that the first byte of the first CPS-Packet will go through before being sent on the TDM bus. This can be set to a lower value in order to minimise delay or to a higher value to avoid slips during the first CPS-Packets of the connection. Its value cannot exceed the Max PDV field. Typically, this field would be set to (Max PDV)/2 when initializing in the middle, or to 1 or 2 when initializing close to the edge.
SM	Slip Mode	+6/b15:b14	Action to be taken upon a slip. '0x' = Slip to edge of circular buffer on underruns '1x' = Slip to middle of circular buffer on underruns 'x0' = Slip to edge of circular buffer on overruns 'x1' = Slip to middle of circular buffer on overruns
SE	Slip Error Report Enable	+6/b13	When '0', underrun and overrun slips will not be reported. When '1', they will be reported.
ADJ	Delay Adjustment pending	+6/b12	Written to '1' by software when a delay adjustment must be done by the hardware. Hardware will clear this field once the delay adjustment has been performed.
2's complement Delay Adjust[11:0]	2's Complement Delay Adjust	+6/b11:b0	Two's complement number that will be added to the write pointer when the next CPS-Packet arrives. A value of 0 will not modify the delay. A value of -1 will reduce the delay by one frame. A value of +1 will increase the delay by one frame. Any time an adjustment is performed the Lowest and Highest delay fields will be adjusted accordingly.
SPR	Silence Suppression Enable	+8/b14	When '1', any byte matching the "silent_pattern" (contained in register 0410h) will not be written to the external memory, causing silent padding to be inserted instead.
A	Clock recovery reference A	+8/b13	When '1', a pulse will be sent to the clock recovery module indicating that a reference packet (a timing CPS-Packet) has been received. This bit corresponds to clock recovery channel A which is independent of clock recovery channel B.
B	Clock recovery reference B	+8/b12	When '1' a pulse will be sent to the clock recovery module indicating that a reference packet (a timing CPS-Packet) has been received. This bit corresponds to clock recovery channel B which is independent of clock recovery channel A.

Table 22 - CPS-Packet Disassembly Structure (PCM/ADPCM) Fields (continued)

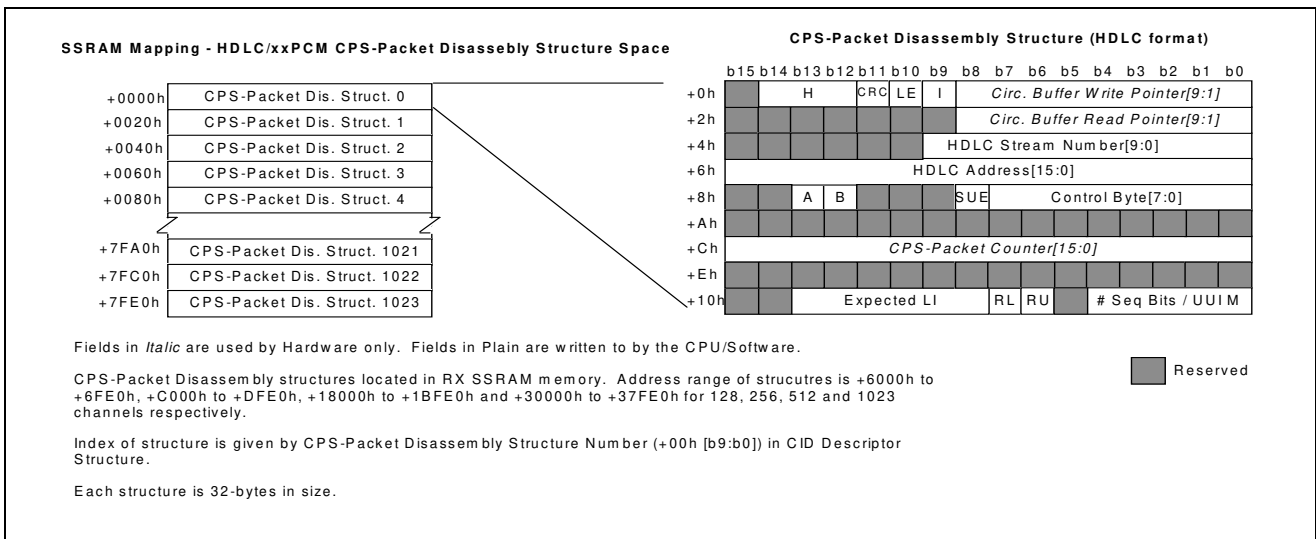
Field	Name of Field	Byte Address Offset/Bits Used	Description of Field
Lowest Delay Encountered (in frames) [11:0]	Lowest delay encountered	+8/b11:b0	Lowest delay inserted by the hardware's buffer. This is a signed number: 0 is a valid delay of less than one frame, -1 is an invalid delay and indicates that one or more slips have occurred.
Last UUI [3:0]	Last UUI	+A/b15:b12	Last received UUI bits 3:0.
Highest Delay Encountered (in frames) [11:0]	Highest delay encountered	+A/b11:b0	Highest delay inserted by the hardware's buffers. This is a signed number. All delays up to Max PDV in Frames are acceptable. Beyond this point, one or more slips have occurred.
CPS-Packet Counter[15:0]	CPS-Packet counter	+C/b15:b0	Free running count of received CPS-Packets (SID and non-SID included).
# of EDU	Number of EDU	+E/b15:b13	Number of data units in each packet. '000' = 8 frames or 1 EDU '001' = 16 frames or 2 EDU '010' = 24 frames or 3EDU '011' = 32 frames or 4EDU '100' = 40 frames or 5 EDU '101' = 44/88 frames PCM/ADPCM32 '110' = 40/80 frames PCM/ADPCM32 '111' = 64 frames or 8 EDU
SL	SID Last	+E/b10	When '1', the last packet received was a SID. This field is used to generate the ADPCM reset if the first voice packet after a SID contains ADPCM data. This bit should be initialized to '1' so that the first ADPCM packet resets the decoder.
TDM RP / First written byte Offset	TDM RP/First written byte offset	+E/b9:b0	Positive offset between the circular buffer write pointer used to write the first byte of a CPS-Packet and the TDM_circular_buffer_read_pointer + 1. initialize to "00_0000_0000"
LI0	Length indicator of zero	+10/b15:b14	Indicates how to treat CPS-Packets with the LI field equal to 0. '00' = reserved. '01' = CPS-Packet is SID, discard CPS-Packet. '10' = CPS-Packet is SID, treat CPS-Packet. '11' = CPS-Packet is SID, treat CPS-Packet and generate report structure.
Expected LI	Expected LI	+10/b13:b8	The LI expected in all voice packets. If the received LI does not match the Expected LI and RL = '1', then an error report structure will be generated. Note: the CPS-Packet will still be treated.

Table 22 - CPS-Packet Disassembly Structure (PCM/ADPCM) Fields (continued)



Field	Name of Field	Byte Address Offset/Bits Used	Description of Field
RL	Report Length Errors	+10/b7	Report each CPS-Packet received in which the LI does not match Expected LI.
RU	Report UUI Errors	+10/b6	Report each CPS-Packet received in which the UUI does not match expected UUI.
# Seq Bits/UUI M	Number of Sequence Bits in the UUI and UUI Match	+10/b4:b0	'10000' = 4 sequence bits 'x1000' = 3 sequence bits & UUI[3] in match 'xx100' = 2 sequence bits & UUI[3:2] in match 'xxx10' = 1 sequence bit & UUI[3:1] in match 'xxxx1' = 0 sequence bits & UUI[3:0] in match

**Table 22 - CPS-Packet Disassembly Structure (PCM/ADPCM) Fields (continued)**



**Figure 25 - CPS-Packet Disassembly Structure (HDLC Format)**

Field	Name of Field	Byte Address Offset/Bits Used	Description of Field
H	Header Type	+0/b14:b12	Gives the format of the HDLC header '000' = no header bytes '001' = one byte address '010' = two byte address '011' = one byte address + control '100' = two byte address + control others = reserved
CRC	CRC enable	+0/b11	Indicates if a 16-bit trailing CRC is to be appended to the CPS-Packet.
LE	Loss Error Report Enable	+0/b10	This bit must be set in order for CPS-Packet loss errors (e.g. losses due to silence suppression or to network quality) to be reported on this CID. CPS-Packet loss errors are detected by circular buffer overflow, or due to CPS-Packet descriptor queue overrun (in HDLC), and by sequence number errors (in PCM).
I	Structure Initialized bit	+0/b9	Reset by software upon opening the channel, set by hardware upon receiving the first CPS-Packet.
Circ. Buffer Write Pointer [9:1]	Circular Buffer Write Pointer	+0/b8:b0	Points to the location in the circular buffer used to contain HDLC packets where the next CPS-Packet will be written.
Circ. Buffer Read Pointer [9:1]	Circular Buffer Read Pointer	+2/b8:b0	Points to the location in the circular buffer used to contain HDLC packets where the next byte is to be read to be sent on the TDM bus
HDLC Stream Number [9:0]	HDLC Stream Number	+4/b9:b0	Pointer to beginning of the HDLC Stream structure in the RX_TDM control memory to which this channel must be routed. Directing many HDLC streams to the same HDLC Stream structure allows many HDLC channels to point to a single stream.
HDLC Address[15:0]	HDLC Address [15:0]	+6/b15:b0	Address used to form the HDLC header. This field is ignored if the Header Type is '000'
A	Clock recovery reference A	+8/b13	When '1', a pulse will be sent to the clock recovery module indicating that a reference packet (a timing CPS-Packet) has been received. This bit corresponds to clock recovery channel A which is independent of clock recovery channel B.
B	Clock recovery reference B	+8/b12	When '1', a pulse will be sent to the clock recovery module indicating that a reference packet (a timing CPS-Packet) has been received. This bit corresponds to clock recovery channel B which is independent of clock recovery channel A.
SUE	Send UUI enable	+8/b8	Send UUI in control byte enable. When set and when Header Type is '011' or '100', the 5 MSBs of the HDLC control byte will be the UUI.
Control Byte [7:0]	HDLC Control Byte	+8/b7:b0	Control byte used to form the HDLC control byte. This field is ignored if the Header Type is not '011' or '100'.

**Table 23 - CPS-Packet Disassembly Structure (HDLC format) Fields**

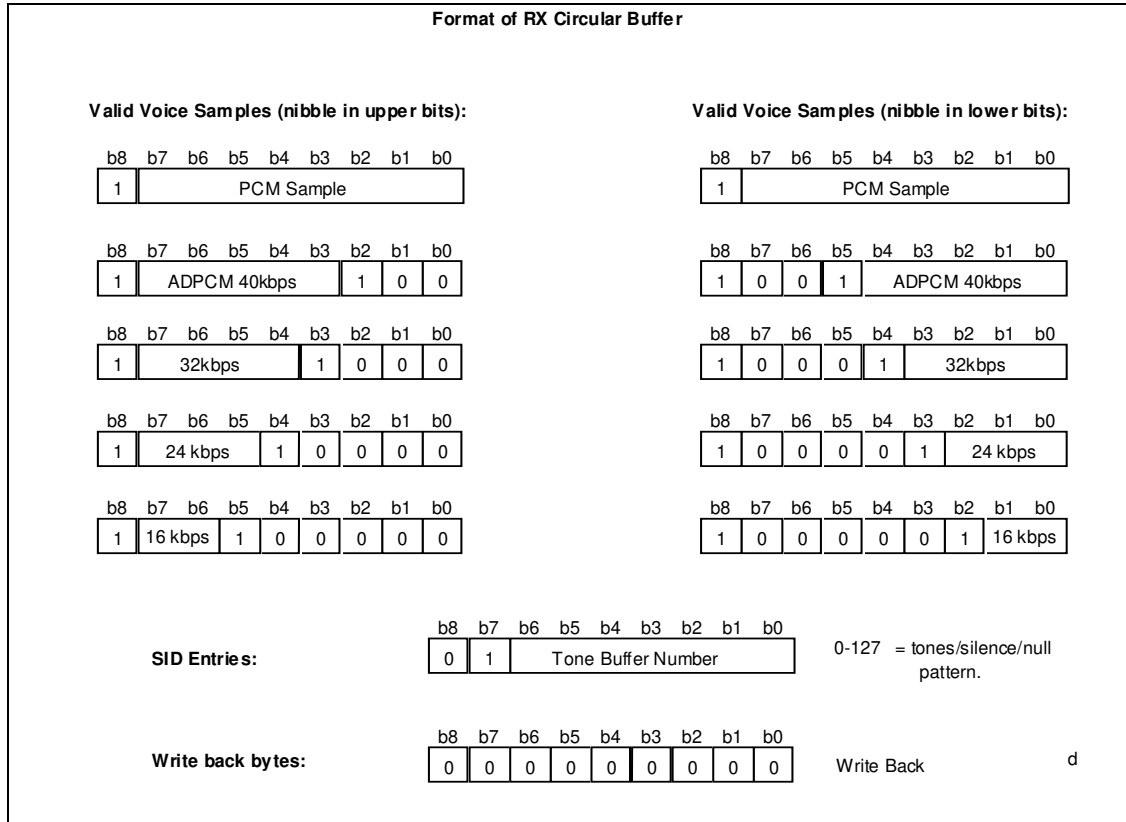
Field	Name of Field	Byte Address Offset/Bits Used	Description of Field
CPS-Packet Counter[15:0]	CPS-Packet counter	+C/b15:b0	Free running count of received CPS-Packets (SID included).
Expected LI	Expected LI	+10/b13:b8	The LI expected in all voice packets. If the received LI does not match the Expected LI and RL = '1', then an error report structure will be generated. Note: the CPS-Packet will still be treated.
RL	Report Length Errors	+10/b7	Report each CPS-Packet received in which the LI does not match Expected LI.
RU	Report UUI Errors	+10/b6	Report each CPS-Packet received in which the UUI does not match expected UUI.
# Seq Bits/UUI M	Number Sequence Bits in the UUI and UUI Match	+10/b4:b0	'10000' = 4 sequence bits 'x1000' = 3 sequence bits & UUI[3] in match 'xx100' = 2 sequence bits & UUI[3:2] in match 'xxx10' = 1 sequence bit & UUI[3:1] in match 'xxxx1' = 0 sequence bits & UUI[3:0] in match

**Table 23 - CPS-Packet Disassembly Structure (HDLC format) Fields (continued)**

**Note:** A and B bits in both the PCM and HDLC CPS-Packet disassembly structures are used to signal the chip when a timing reference CPS-Packet has been received. As the UTOPIA module can also generate these signals based on timing reference cells, each of these bits should be set in only one location: either in a single LUT or in a single CPS-Packet disassembly structure.

The compression rate of the ADPCM CPS-Packets can be dynamically determined using the EDU field and the LI field of the CPS-Packet. Once the compression rate is determined for a CID, the ADPCM samples will be formatted according to the compression rate (see Figure 26 on page 60) and placed in the Rx Circular Buffer.

To alter the monitored delay, software can generate a delay adjustment by writing the ADJ field to '1' and the 2's Complement Delay Adjust field to the number of bytes by which the delay should be altered.



**Figure 26 - Format of RX Circular Buffer**

For HDLC CPS-Packets, the RX SAR performs zero-insertion and appends the HDLC header and CRC (as necessary) to the packet before writing it to the circular buffer. The RX SAR can be configured to either bit-wise or byte-wise zero-insertion (one method for all of the HDLC channels). It can also write packets either with or without an AAL2 header.

**2.4.4 CPS-Packet Loss Compensation**

The MT90502 is capable of calculating the elapsed time between the reception of two CPS-Packets. Based on the time elapsed and the difference in the sequence number in the UUI of the received CPS-Packet and that of the previous CPS-Packet, a count of how many CPS-Packets have been lost can be found. The circular buffer write pointer is adjusted to take the number of CPS-Packets lost into account before beginning to write the received bytes. This algorithm is only successful if the PDV between packets is smaller than a complete wrap of the UUI sequence counter. An enable bit (LC) in the CPS-Packet disassembly structure allows the CPS-Packet loss compensation to be turned on or off.

**2.4.5 CPU CPS-Packets**

If the CID Description Structure denotes a CPS-Packet as a CPU CPS-Packet, the CPS-Packet will be written into the CPU CPS-Packet FIFO in external memory and a CPU CPS-Packet report structure will be generated (see Section 2.4.7, Errors and Events on page 61). The CPU is alerted to the presence of CPU CPS-Packets through the CPU CPS-Packet report structures. The CPU CPS-Packet base address can be read from the CPS-Packet report structure.

The size of the CPU CPS-Packet FIFO is programmable (register 440h) as is its base address (register 440h). The size of the FIFO can vary from 16 KB to 128 KB. The CPU is responsible for updating the read pointer (register 442h) following each read.

### 2.4.6 Treatment of Data Cells

Data cells, such as those containing OAM information, are placed in a programmable length FIFO in external memory. The length of the FIFO is stored in register 430h. The CPU can read one or more data cells from the FIFO at any time, after obtaining the address of the FIFO (register 430h) and the read pointer (register 432h). The CPU is responsible for updating the read pointer following each read. The write pointer, incremented by hardware, indicates the location where the next data cell will be written. The FIFO is empty if the read pointer points to the same location as the write pointer.

The CPU can be alerted to the presence of data cells via an interrupt that triggers if either of two events occur:

- the interrupt can be generated when the FIFO becomes more than half full, or
- the interrupt can be generated if a data cell has been present in the FIFO for longer than a programmable period of time (registers 460h, 462h).

When ready to process the information, the CPU obtains a read pointer to the information from register 432h and reads the information through 26-word accesses.

Cells with the OAM bit set in the PTI portion of the header can be directed to the data cell FIFO on a per VC basis. The same is true for non-OAM cells. In addition, unknown non-OAM cells and/or unknown OAM cells can also be sent to the data cell FIFO. All unknown non-OAM cells are directed to the same location(s), and all unknown OAM cells are directed to the same location(s).

### 2.4.7 Errors and Events

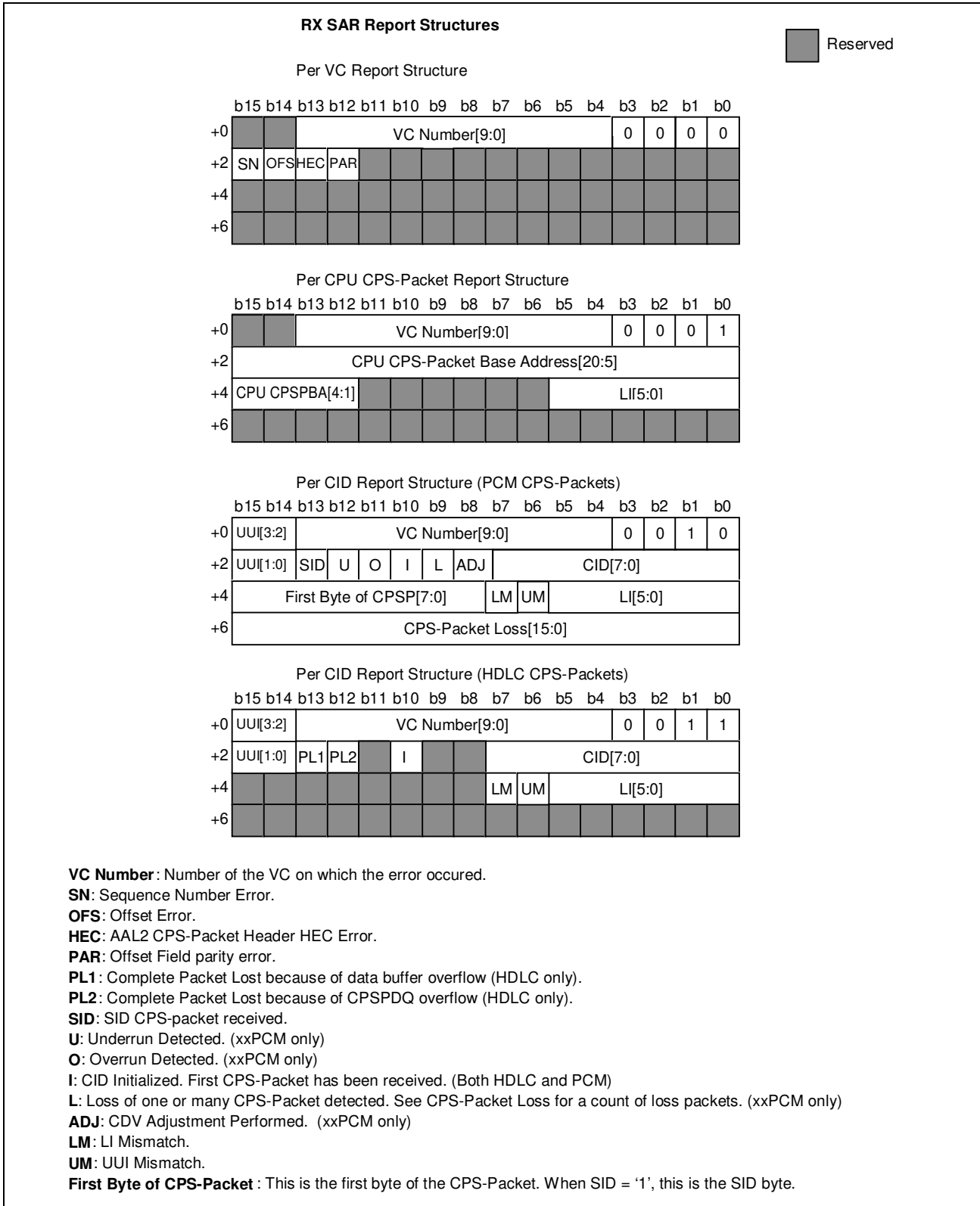
An Error/Event Report FIFO exists in RX SSRAM whose base address and size are configured through register 438h. Four types of structures, as shown in Figure 26, are available to cover all errors or events listed in Table 24. Once an error or event occurs, a corresponding 4-word structure will be generated and written into Report FIFO. The error/event structure contains all the details pertaining to that error or event.

Similar to the data cell FIFO, the CPU can read the error/event FIFO at any time after obtaining the base address (register 438h) and the read pointer of the error/event FIFO (register 43Ch). Again, an interrupt can be generated that triggers if either of two events occur. Those events are

- the FIFO becomes more than half full, or
- an error/event report structure has been present in the FIFO for longer than a programmable period of time (registers 464h, 466h).

When ready to process the information, the CPU obtains a read pointer to the information from register 43Ch and reads the information through 4-word accesses.

**Note:** Both PCM and HDLC CPS-Packets will generate a report structure when they are initialized. Apart from the generation of the error report structure, no action is taken on errors/events.



**Figure 27 - RX Error Report FIFO Structures**

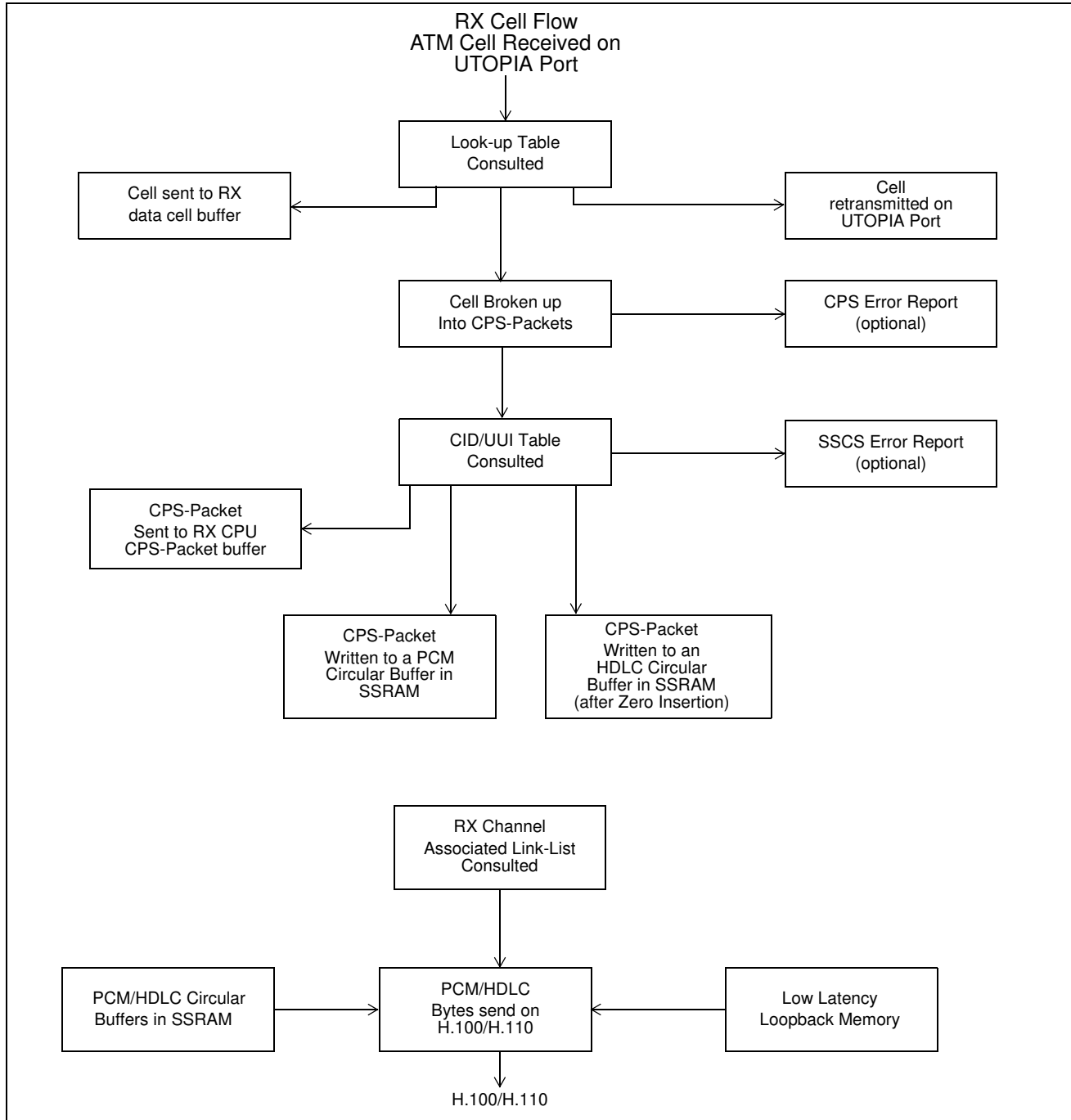
Category	Enable Location	Error/Event	Coverage
Cell-specific (per VC)	ER bit in each RX SAR disassembly structure	Sequence number error	AAL2 cells
		Offset Field error	AAL2 cells
		ATM HEC error	all ATM cells
		Offset Field parity error	AAL2 cells
CPU CPS-Packet	none	Reception of a CPU CPS-Packet	CPU directed CPS-Packets
PCM CPS-Packets (per CID)	LE in PCM CPS-Packet disassembly structure	SID CPS-Packet received	PCM CPS-Packets
		Underrun error	PCM CPS-Packets
		Overrun error	PCM CPS-Packets
		CID initialized	PCM CPS-Packets
		Loss of one or more CPS-Packets error	PCM CPS-Packets
		PDV adjustment performed	PCM CPS-Packets
HDLC CPS-Packets (per CID)	LE in HDLC CPS-Packet disassembly structure	data buffer overflow error	HDLC CPS-Packets
		CPS-Packet disassembly queue overflow error	HDLC CPS-Packets
		CID initialized	HDLC CPS-Packets
		LI mismatch error	HDLC CPS-Packets

Table 24 - RX SAR Errors and Events

## 2.5 TDM Reception

### 2.5.1 Overview

The RX TDM Module is responsible for reading bytes written to circular buffers in external memory by the RX SAR and administering the data to the H.100/H.110 interface module (see Section 2.7, “H.100/H.110 Interface,” on page 77). The RX TDM Module is capable of transmitting data in 1023 time slots on the H.100/H.110 bus.



**Figure 28 - RX Cell Flow**

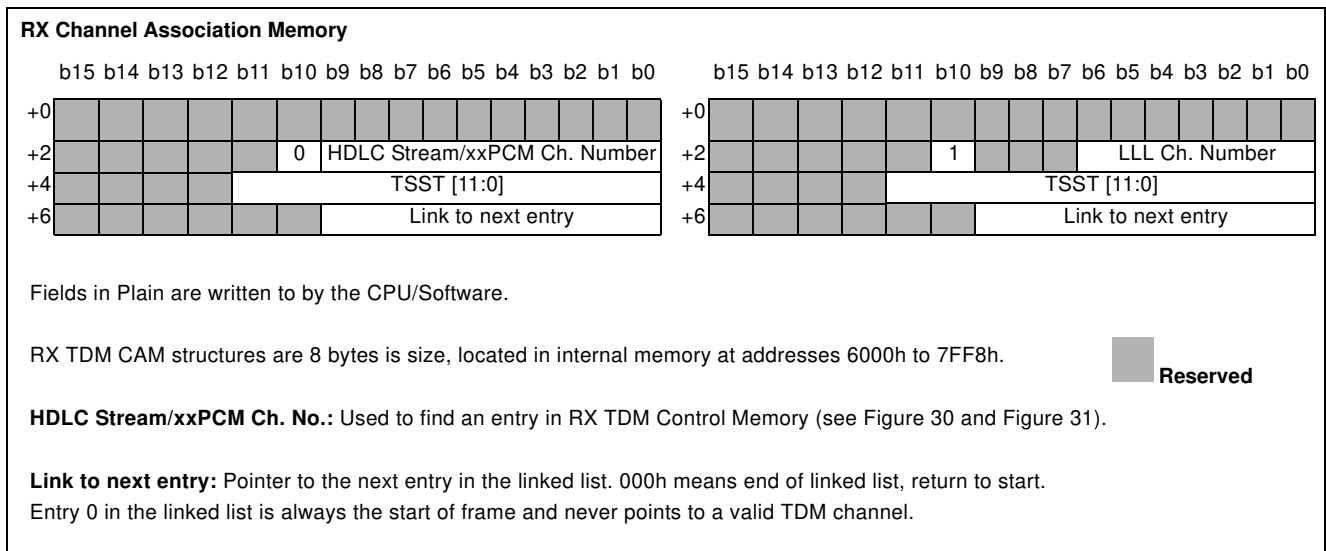


### 2.5.2 RX Channel Association Memory

The RX CAM generates a map that indicates which ADPCM channel, PCM channel or HDLC stream TSSTs are associated on the TDM bus. There are 1024 entries in RX CAM; the first entry is the permanent start entry for the map thus does not point to any TSST. The remaining 1023 entries are usable, each of which consists of:

- the PCM channel/ADPCM channel/HDLC stream number, or Loopback channel number.
- the TSST number
- the pointer to the next mapped entry. Note that the final entry in the map must always point back to the start entry.

Like the TX CAM, all entries in the RX CAM must be linked sequentially in TSST order.



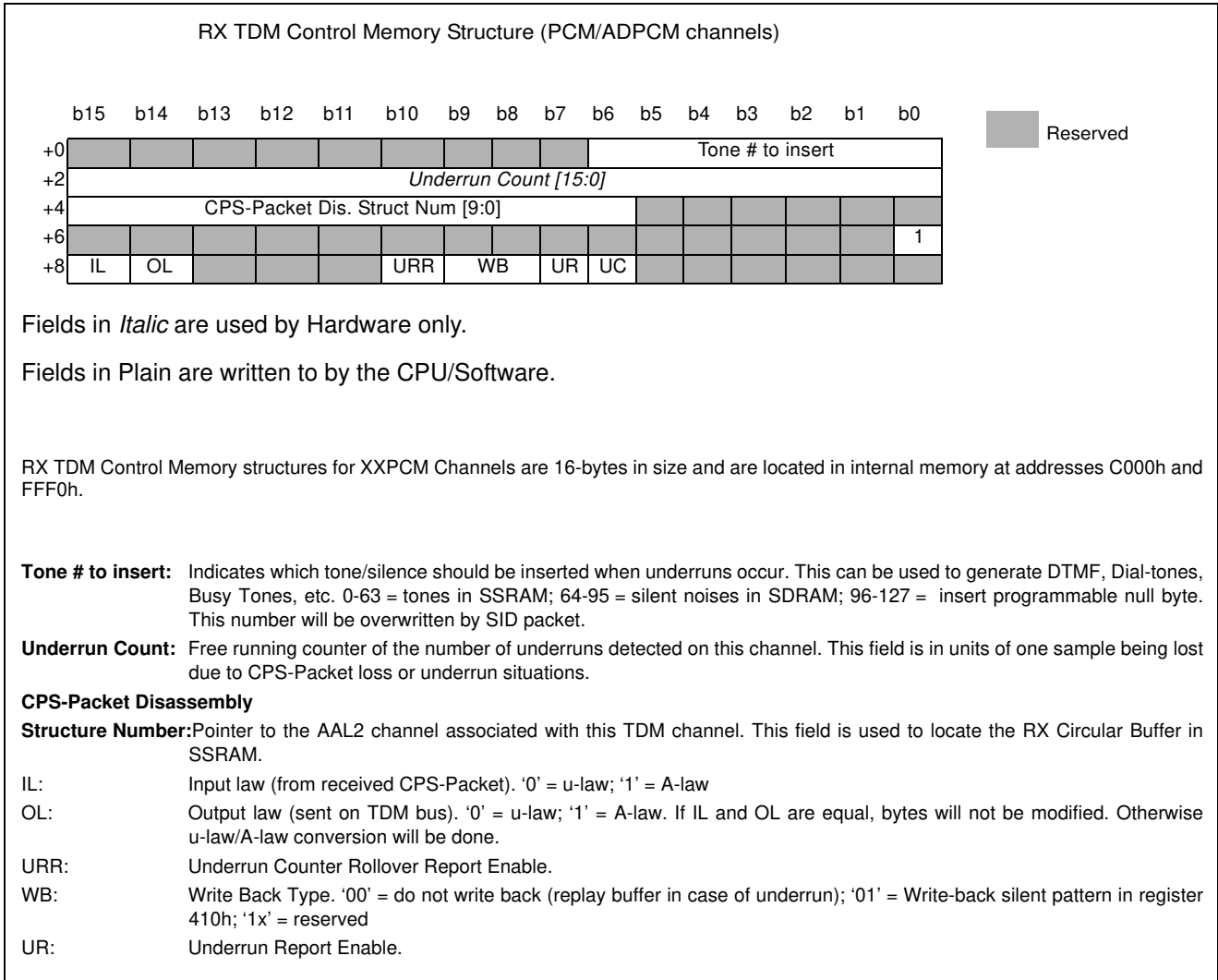
**Figure 29 - RX Channel Association Memory (RX CAM)**

### 2.5.3 RX Channel Underrun Condition

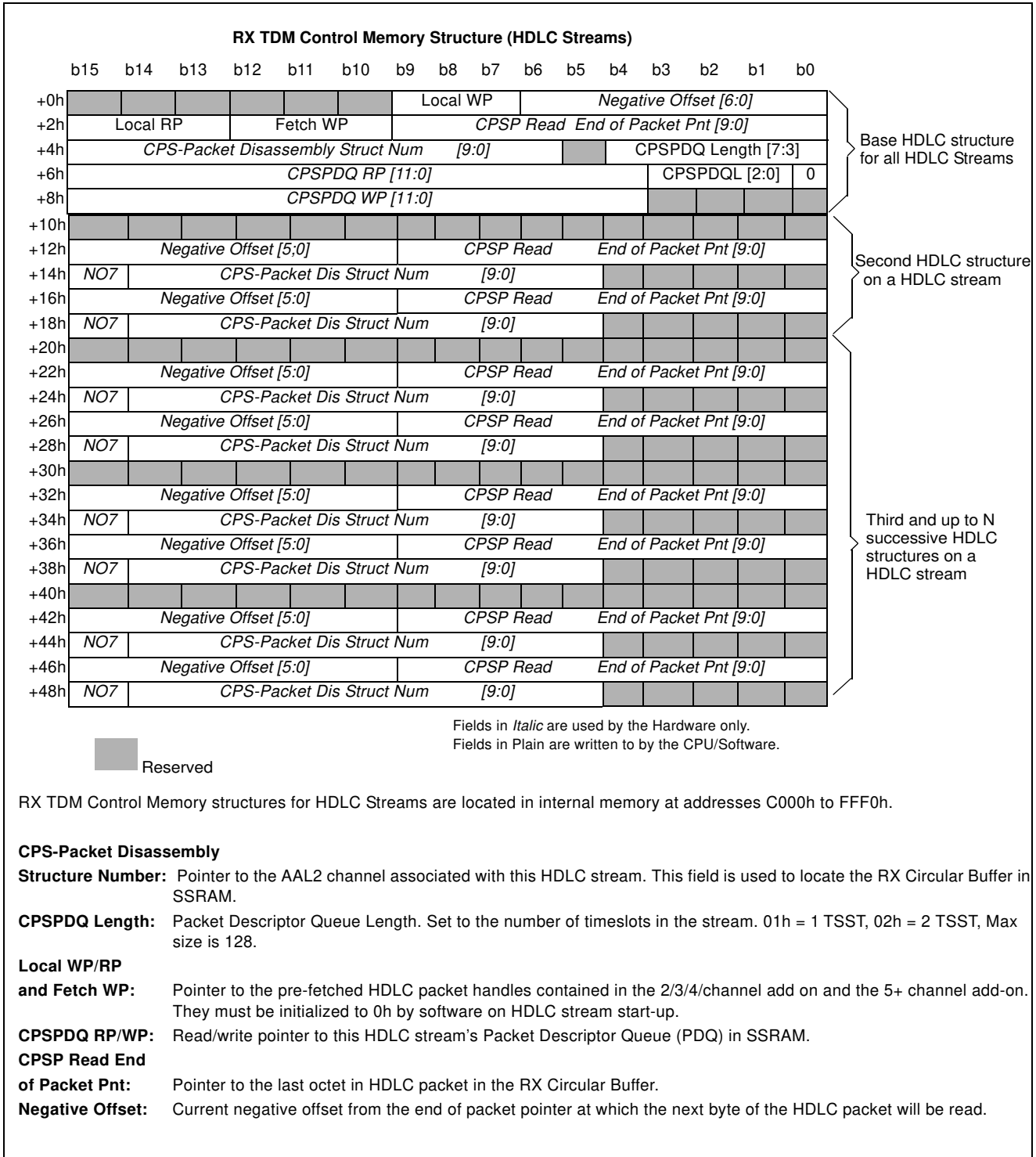
When servicing PCM/ADPCM channels, a byte is read every frame from the external circular buffers and transmitted onto the TDM bus. PCM/ADPCM channels can be configured to perform write backs to the circular buffers after the read has been completed. This will ensure erroneous data will not be transmitted onto the TDM bus while an underrun condition occurs. The **WB (Write Back type)** bits in the RX Control Memory determine what is written back: tone/silent pattern (programmable in silent\_pattern\_reg 410h) or no Write Back. The PCM/ADPCM entry in RX Control Memory contains several fields that control underrun detection:

- 16-bit free-running underrun counter which counts the number of underruns that have occurred on this channel
- The **UC (Underrun Count enable)** bit enables the counter. The PCM/ADPCM control structure also contains the number of the PCM/ADPCM channel that is managed by the control entry.

For underrun detection to work properly, all RX CPS-packet circular buffer contents, including parity bit, must be initialized to zero.



**Figure 30 - RX TDM Control Memory Structure (PCM/ADPCM channels)**



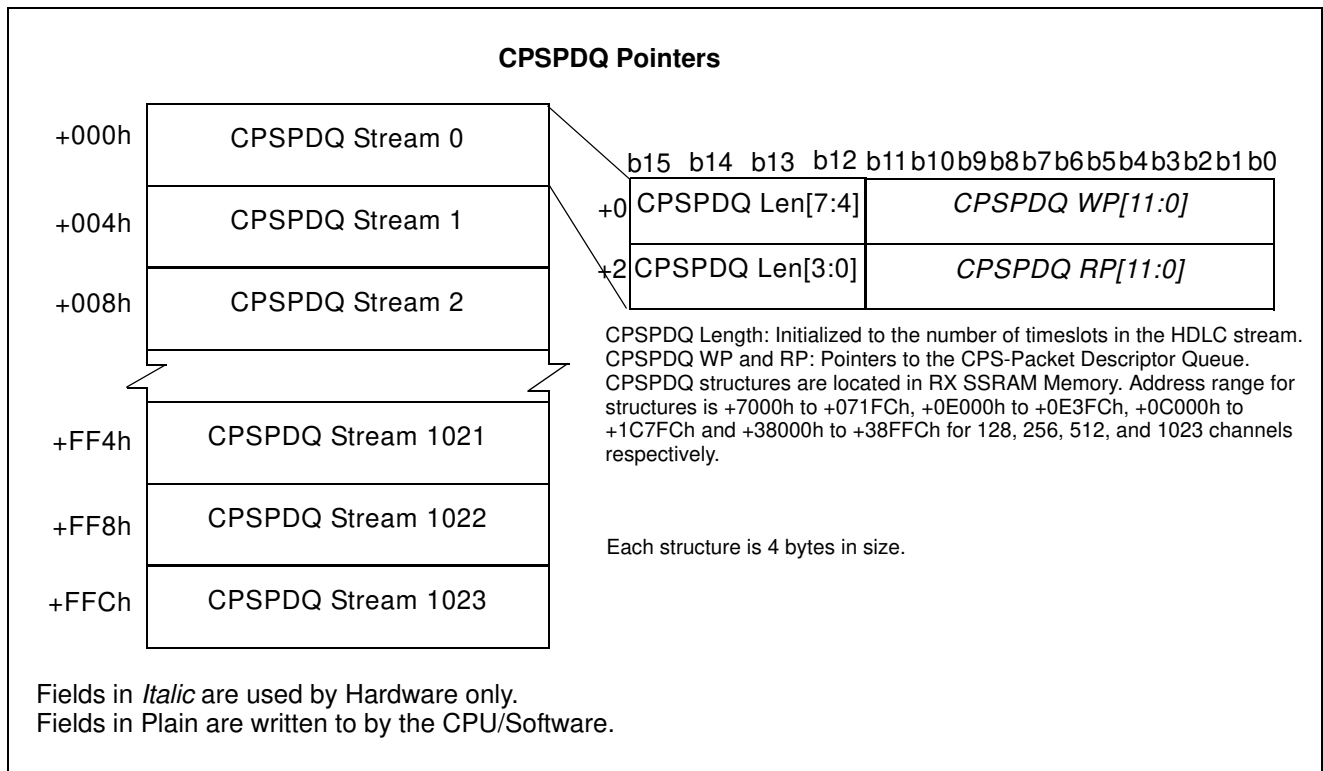
**Figure 31 - RX TDM Control Memory Structure (HDLC Streams)**

### 2.5.4 Compression

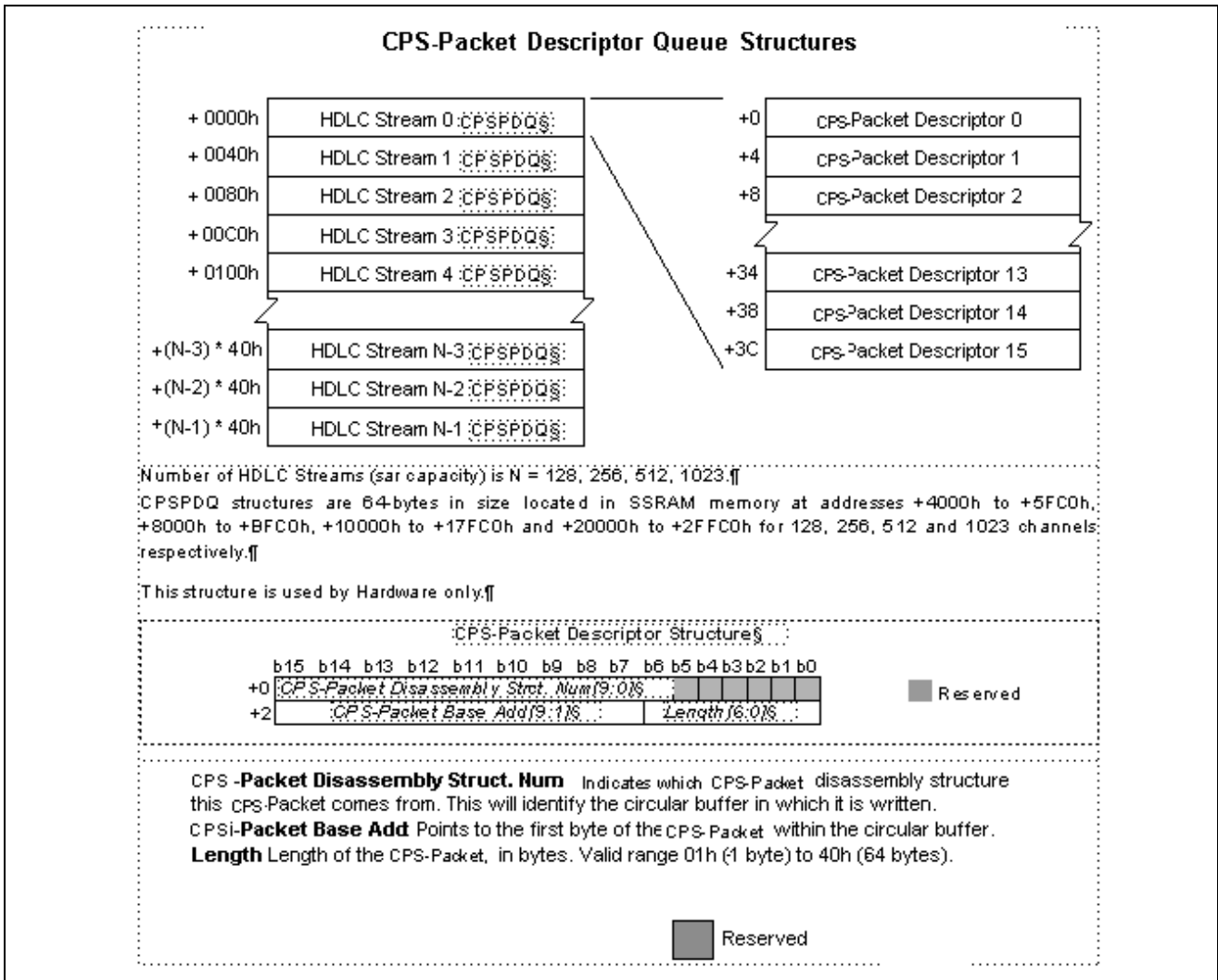
The RX TDM supports compression on PCM/ADPCM channels at the following data rates: 40, 32, 24 and 16 kbps. Each frame maintains a 5-, 4-, 3- or 2-bit compressed value in the high or low bits of the TDM byte and the remainder indicates the data rate (see Figure 7 on page 32 and Figure 10 on page 35).

### 2.5.5 HDLC

When processing HDLC channels on a per frame basis, the TDM RX Module will transmit either data bytes or HDLC null patterns (All 1s in bit-wise HDLC or 7Eh in byte-wise HDLC). See Section 2.10, HDLC on page 101. HDLC null patterns are transmitted between HDLC packets. The RX SAR communicates packet information to the RX TDM through a packet descriptor queue held in external memory. A maximum of 16 descriptors per channel may be retained in external memory. The descriptor contains the origin channel number of the AAL2 channel, base address, and length of the CPS-Packet within the buffer.



**Figure 32 - CPS-Packet Descriptor Queue Pointers Structure (HDLC Streams)**



**Figure 33 - CPS-Packet Descriptor Queue Structures (HDLC Streams)**

As HDLC supports streams, numerous channel packet descriptor queues can be amalgamated into one packet descriptor per stream. However, it is necessary to specify the length of the packet descriptor queue within the structure that manages the stream; therefore, the MT90502 can determine where to wrap its read and write pointers. The length of the packet descriptor queue is programmed by the CPU/Software in the HDLC control structure (see Figure 30, “RX TDM Control Memory Structure (PCM/ADPCM channels),” on page 66). The CPS-Packet disassembly structures in the RX SAR determine where the HDLC channels are destined.

In HDLC, time slot entries in the linked list can point to the same control structure entry, allowing the HDLC single-channel or stream to span consecutive time slots within the same TDM stream. This is employed for HDLC streams where the bandwidth requirements often exceed the constraints of a single time slot. Since multiple entries pointing to the same HDLC channel must all be contained within the same TDM stream, the maximum number of time slots that can be shared by the same HDLC channel is 128.

## 2.6 UTOPIA

### 2.6.1 Overview

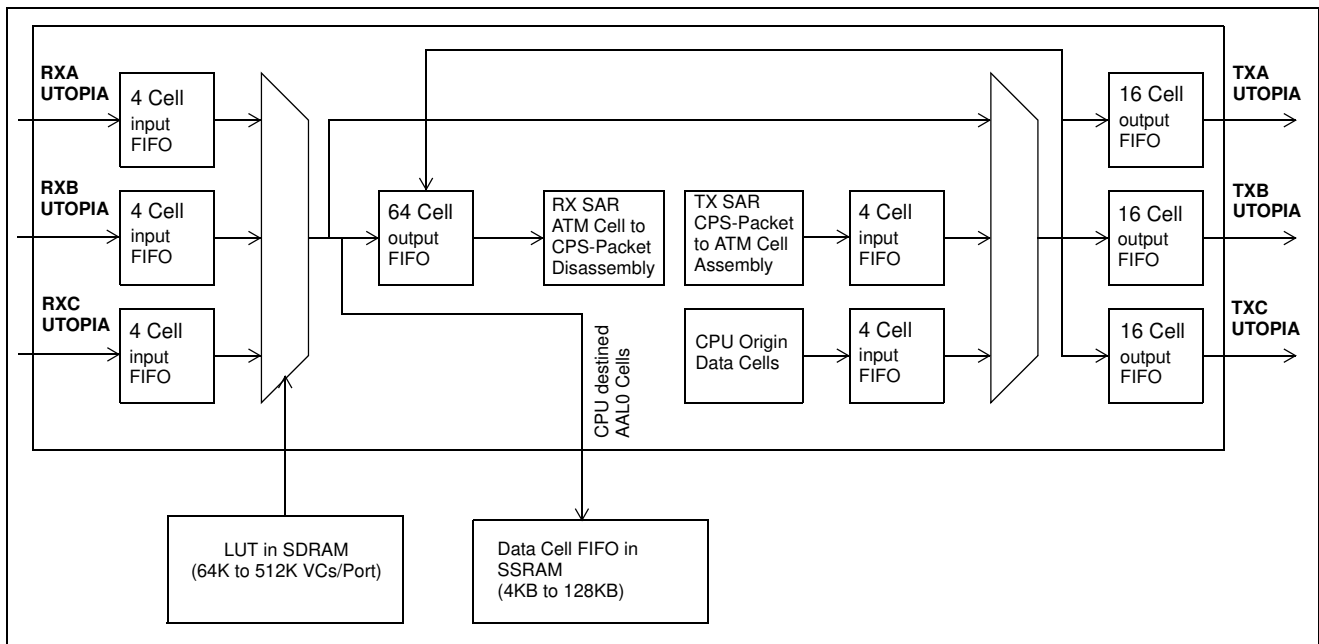
The purpose of the UTOPIA module is to provide an external interface with the ATM domain. The MT90502 complies with the ATM Forum's specifications: af-phy-0017.000 (PHY & SAR) and af-phy-0039.000 (PHY).

The UTOPIA module is responsible for accepting cells from five input interfaces: UTOPIA A, UTOPIA B, UTOPIA C, CPU Origin Data Cell FIFO, and TX SAR (internal). Cells are examined, and based on the origin and information in the header, the cell is sent to one or more (multicast or broadcast) of the four output interfaces: UTOPIA A, UTOPIA B, UTOPIA C or RX SAR (internal). The UTOPIA module employs octet level handshaking. It also appends the HEC to outgoing ATM cells.

The UTOPIA module has 2 different configurations and is constructed from three ports, labelled A, B, and C.

- Each UTOPIA port (A, B or C) can be independently configured as a 8-bit Level 1 PHY or ATM port, and can operate at up to 32 MHz. In this configuration, ports can be employed to daisy-chain other SAR devices to the MT90502, or operate in a ring configuration. Each port can treat 155 Mbps of bandwidth.
- Ports A and B can also be combined to architect one UTOPIA Level 2 port in PHY mode only. It has an 8-bit data bus and a 5-bit address bus. This configuration allows the MT90502 to interface with any UTOPIA Level 2 master device in a multiple-PHY application.

In addition to ports A, B, and C, the UTOPIA can route data cells to the cell FIFO in external SSRAM.



**Figure 34 - SAR and UTOPIA Block**

The receive interface of each UTOPIA port can be independently enabled or disabled. If disabled, the receive interface will stop accepting cells after the current cell has been received.

The transmit interface of each UTOPIA port can be configured to drive output pins (e.g., data bus, SOC and parity) only when this port has been selected. Those pins are tri-stated when the port is not selected. This allows the MT90502 to share a data bus, SOC, and parity lines with other devices (i.e., independent ENB signals and CLAV signals for each PHY device, controlled by a single ATM device).

## 2.6.2 UTOPIA Interfaces

Each of the three ports are divided into two portions: a receive portion and a transmit portion. The TX\_SAR and the receive portions are each connected to a 4-cell FIFO.

The RX\_SAR and the transmit portions are each connected to a 16-cell FIFO.

The ports are configurable with the following options:

- Port A's transmit portion can be ATM or PHY, with an 8-bit data bus.\*
- Port A's receive portion can be ATM or PHY, with an 8-bit data bus.\*
- Ports A and B can be combined to architect one UTOPIA Level 2 multi-PHY port, with an 8-bit data bus.
- Port B's transmit portion can be ATM or PHY, with an 8-bit data bus.\*
- Port B's receive portion can be ATM or PHY, with an 8-bit data bus.\*
- Port C's transmit portion can be ATM or PHY, with an 8-bit data bus.
- Port C's receive portion can be ATM or PHY, with an 8-bit data bus.
- Each receive interface can be independently enabled or disabled. If disabled, the receive interface will stop accepting cells after the current cell has been received.
- When the transmit portions of a port are in PHY mode, the SOC, data bus, and parity output pins will be tri-sected when the port is not selected. This allows the MT90502 to share a data bus, SOC, and parity lines with other devices (i.e., independent ENB signals and CLAV signals for each PHY device, controlled by a single ATM device).

\*Not applicable when Port A and B are configured as level-2 multi-PHY port.

The RX\_CLAV signal is asserted high any time a complete cell can be received. Thus as soon as the first byte of a cell is received, and there is no room for another cell in the input FIFO, the RX\_CLAV signal will be asserted low. In the case of a Level-2 PHY, the rx\_clav's will only be driven when the address has been placed on the bus during the previous cycle.

## 2.6.3 LED Operation

The UTOPIA module generates four LED signals in order to indicate the status of each of the possible conditions for the A and B ports. The status conditions are: idle, presence of traffic or PHY alarm. When a port is in an idle state, both its LEDs are illuminated. If RX traffic (other than null cells) is flowing, then the RX LED for that port will flash; If TX traffic (other than null cells) is flowing, then the TX LED for that port will flash. If a PHY alarm is detected, the TX LED is static on and the RX LED is static off. The polarity of the LED signals is active-low, i.e., a '0' will turn on the LED.

The frequency of the LEDs is controlled in register 10Ch and the LED pins can also be configured to act as general purpose input outputs.

The PHY alarm is another testing feature. If a PHY device connected to the MT90502 indicates a trouble with the PHY (through pins rxa\_alarm or rxb\_alarm), the MT90502 acknowledges receipt of the information by setting the LEDs appropriately (see above). The alarm causes no change in the MT90502, other than from setting the LEDs.

## 2.6.4 Errors on Received Cells

If the MT90502 receives a short cell on any one of its three ports, the cell is discarded and the next cell is started when the second SOC signal is set.

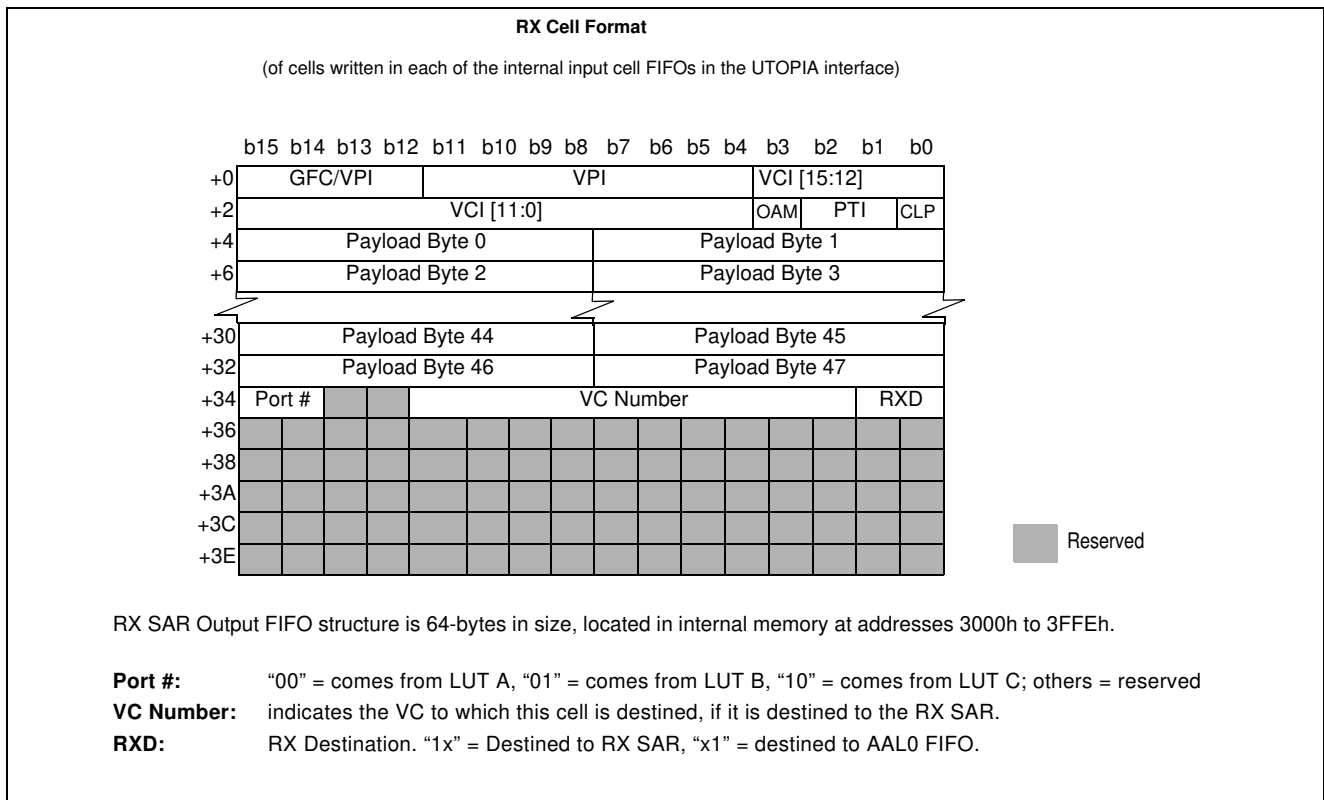
If the SOC is not set after the 53rd byte of a received cell, subsequent bytes are ignored until a new SOC is received.

Data received on all three ports is examined for parity errors and an interrupt is raised if an error is found. Cells are not discarded if a parity error is detected. Register 60Ah indicates on which port the parity error is detected.

The ATM HEC is not examined on received cells.

### 2.6.5 Cell Routing

Cells are read in a cyclic manner from the 4-cell input FIFOs. Cells from the TX\_SAR that contain a '0' in the MSB of the TXD field (see Figure 21, "TX Cell Format," on page 50) are written into the output FIFOs designated by the three LSBs of the TXD field. The TXD field may also indicate that the cell is routed through one of the 3 look-up tables. Therefore, the cell follows the same path as if it came from one of the 3 UTOPIA input ports. Cells written into the RX\_SAR FIFO can be directed to the SAR portion (cells to be formatted into TDM streams), to the data cell portion (to be examined by the CPU), or to both. This is indicated by the RXD field (see Figure 35, "RX Cell Format," on page 72) in cells written into the RX\_SAR output FIFO.



**Figure 35 - RX Cell Format**

#### 2.6.5.1 Mask & Match Process

Cells received on the UTOPIA port are designated as "known" or "unknown" based on the result of a mask & match process (configured for each port). For a cell to be considered "known", all VPI/VCI bits whose corresponding mask bit is '1' must have the value contained in the corresponding bit of the match register. In addition, the MT90502 can be configured to eliminate null cells (those with VPI = 0 and VCI = 0). For the purpose of null cell elimination, the NNI/UNI can be included on a per-port basis (Register 60Eh).

Unknown cells can be discarded or directed to one or more output FIFOs. All unknown non-OAM cells from a port are discarded or directed to the same location(s) and all unknown OAM cells from a port are discarded or directed to the same location(s). Unknown cells can be directed differently for each port on which they were received.



Unknown cells cannot be sent to the SAR portion of the RX\_SAR. The routing of unknown cells is set in registers 6A4h and 6A6h.

Known cells are handled according to the LUT (Look-Up Table) entry for the cell's VPI/VCI.

A cell is deemed to be an OAM cell if its MSB of PTI field is set.

GFC   VPI   VCI (from cell header)	0010 10000000 00000000 10110010	0010 10000000 00000000 10110	110
Match Value	0000 00000000 00000000 10110010	0000 00000000 00000000 10110	010
Match Result (1 = Mismatch)	0010 10000000 00000000 00000000	0010 10000000 00000000 00000	100
Mask Value	0000 00111111 00000000 11111111	0000 00111111 00000000 11111	111
Mask Result (1 = mismatched cell)	0000 00000000 00000000 00000000	0000 00000000 00000000 00000	100
Result	Routed according to LUT entry		Routed as unknown cell
	For each bit, result = (match XOR header) AND mask		

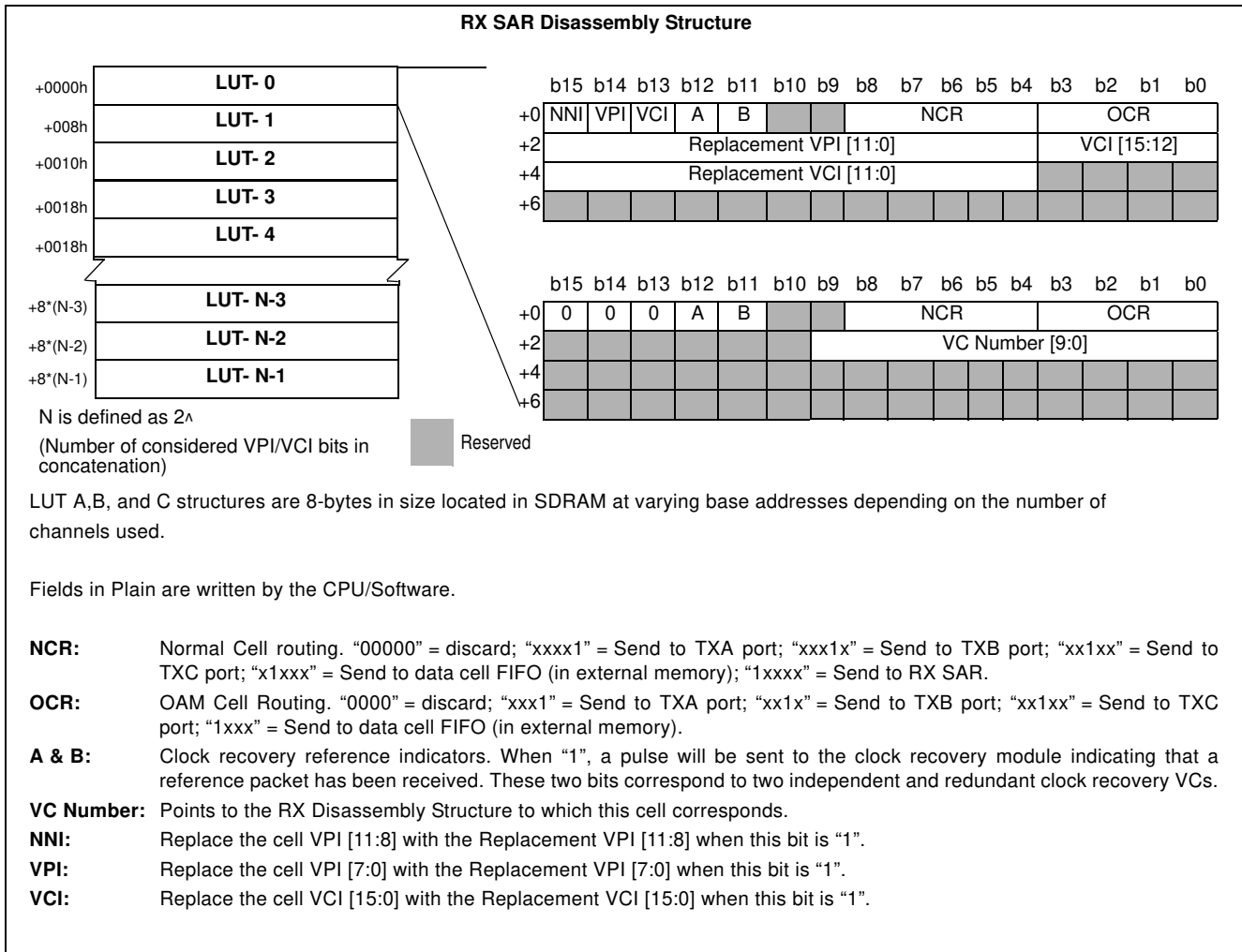
**Figure 36 - Mask & Match Example**

**2.6.5.2 Look-Up Tables Entries**

LUT entries direct cells with known VPI/VCIs to either be discarded or placed in one or more of five possible destinations: the four output FIFOs (UTOPIA A, UTOPIA B, UTOPIA C or RX SAR (internal)) and the data cell FIFO in external SSRAM. OAM cells can be directed independently of non-OAM cells with the same VPI/VCI. OAM cells cannot be directed to the SAR portion of the RX\_SAR.

All look-up table entries in the three LUTs are the same size. Cells undergoing header translation have their NNI bits, the remaining VPI bits and/or the VCI bits replaced by the corresponding bits in the LUT entry and are then either discarded or sent to one or more of the possible destinations. Note: the 4 MSBs of the header (VPI bits 11:8 in NNI mode, or the GFC field in UNI mode) can be translated separately from the remaining portion of the VPI. The remaining two portions can also be translated separately, 8 bits of VPI and the 16 bits of VCI. The 3 header translation enable bits, NNI, VPI, and VCI denote the translation portion of the header. VCs that undergo header translation cannot be directed to the SAR portion of the RX\_SAR as no RX\_SAR structure pointer is available in the LUT entry.

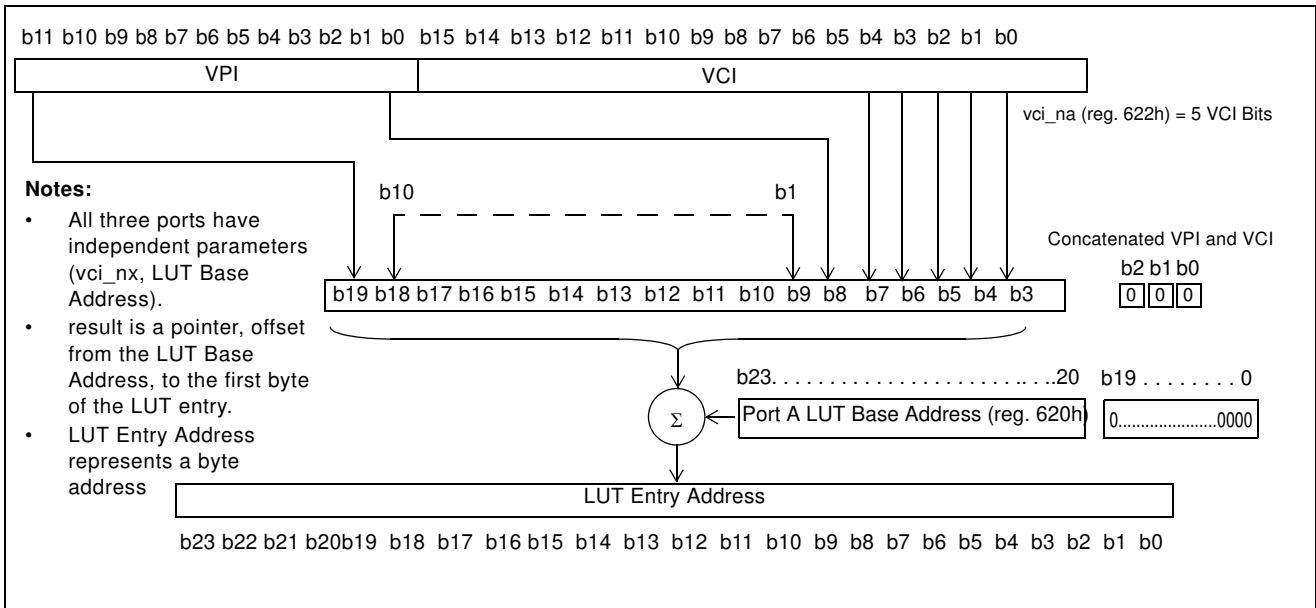
The look-up engine also contains bits indicating if the received cell is a timing reference cell. A timing reference cell indicates a cell whose arrival frequency, over a long period of time, is constant, and therefore can be used as a reference for the local TDM clock. If a timing reference cell is received, the UTOPIA module will send a pulse to the clock recovery module, indicating that such a cell has been received. Clock recovery information can be gathered from up to two VCs by setting bit A in one LUT entry and bit B in the same or another LUT entry. A maximum of one VC can have bit A set and a maximum of one VC can have bit B set.



**Figure 37 - SDRAM Mapping - Look-Up Tables Structure**

### 2.6.5.3 LUT Addressing

A LUT base address and size exists for each of the three ports (registers 620h, 640h, 660h). The number of entries in the LUT, given by its size, ranges from 17 bits to 20 bits (128 K to 1024 K entries). A 17- to 20-bit identifier for each entry is created by concatenating the LSBs from the VPI field with LSBs from the VCI field of a cell header. The number of VCI LSBs to be used as the LSBs in the identifier is programmed in registers 622h, 642h and 662h for Port A, B and C, respectively. The remaining MSBs of the identifier are taken from the LSBs of the VPI field. This concatenated value is then multiplied by 8 (insert three LSB zeros). The result, when added to the LUT base address, will point to the base address of the LUT structure for this cell. The LUT, shown in Figure 37 will determine the routing and/or header translation of the cell.



**Figure 38 - VPI/VCI Concatenation and LUT Entry Address Example**

**2.6.6 UTOPIA Clocks**

Each of the three ports must have a clock to operate the receive interface and a clock to operate the transmit interface. Two or more clocks may have the same source. These clocks can either be input to the MT90502 from an external source or output from the MT90502 from one of three internal UTOPIA clocks. However, the receive clock and transmit clock for a port can either be set as an input or an output.

The source of each of the three internal UTOPIA clocks can be one of seven clocks: mem\_clk, or any of the six UTOPIA clocks (rxa\_clk, rxb\_clk, rxc\_clk, txa\_clk, txb\_clk, and txc\_clk). The selected clock is divided by n and can be inverted (register 220h).

The maximum speed of UTOPIA clock is 32 MHz.

Other parts of the UTOPIA module, including the look-up engine, the TX\_SAR portion, and the RX\_SAR portion operate off of mem\_clk.

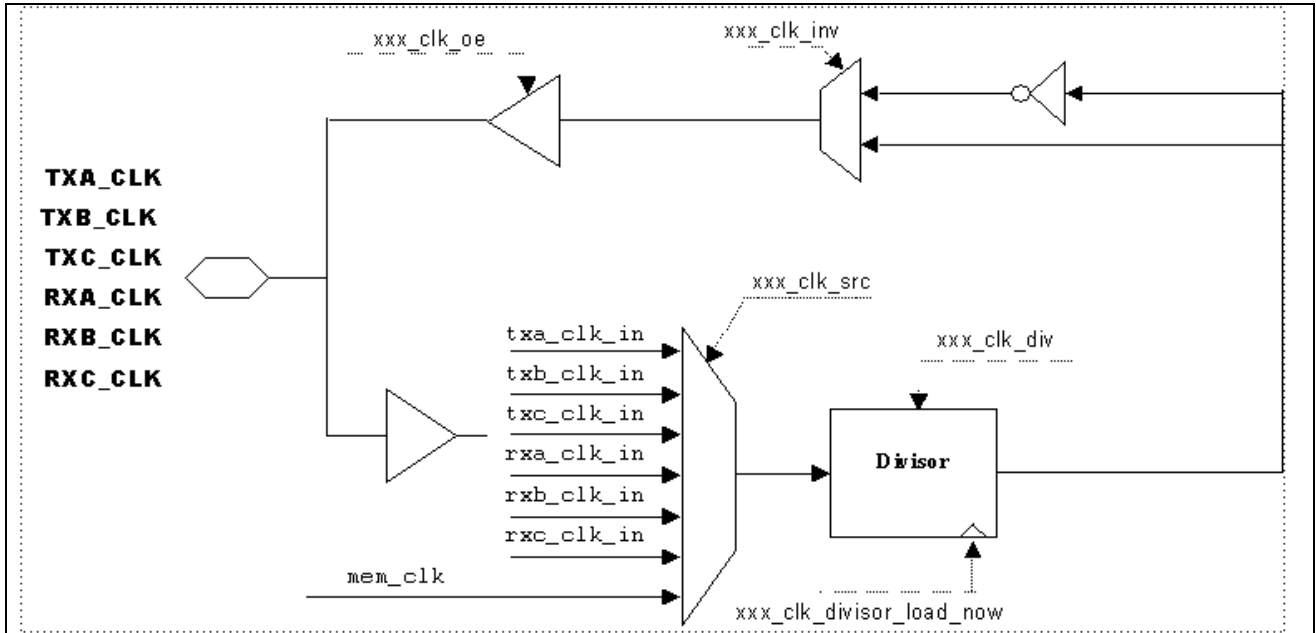


Figure 39 - UTOPIA Clocks Selection

Label	Register	Bit Position	Label	Register	Bit Position
txa_clk_div	220h	5:0	rx_a_clk_div	228h	5:0
txa_clk_divisor_load_now	220h	6	rx_a_clk_divisor_load_now	228h	6
txa_clk_inv	220h	7	rx_a_clk_inv	228h	7
txa_clk_src	220h	10:8	rx_a_clk_src	228h	10:8
txa_clk_oe	220h	11	rx_a_clk_oe	228h	11
txb_clk_div	222h	5:0	rx_b_clk_div	22Ah	5:0
txb_clk_divisor_load_now	222h	6	rx_b_clk_divisor_load_now	22Ah	6
txb_clk_inv	222h	7	rx_b_clk_inv	22Ah	7
txb_clk_src	222h	10:8	rx_b_clk_src	22Ah	10:8
txb_clk_oe	222h	11	rx_b_clk_oe	22Ah	11
txc_clk_div	224h	5:0	rx_c_clk_div	22Ch	5:0
txc_clk_divisor_load_now	224h	6	rx_c_clk_divisor_laod_now	22Ch	6
txc_clk_inv	224h	7	rx_c_clk_inv	22Ch	7
txc_clk_src	224h	10:8	rx_c_clk_src	22Ch	10:8
txc_clk_oe	224h	11	rx_c_clk_oe	22Ch	11

Table 25 - UTOPIA Clocks Selection Registers

### 2.6.7 External Interface Signals

Due to the different possible configurations of the UTOPIA ports, the functions of some pins change, depending on the configuration. The function of the CLAV (cell available) and ENB (enable data transfer) pins alternate when the port is in ATM mode or PHY mode (see Figure 40, “External UTOPIA Interface,” on page 77). Please note that the I/O direction of the pins remain fixed.

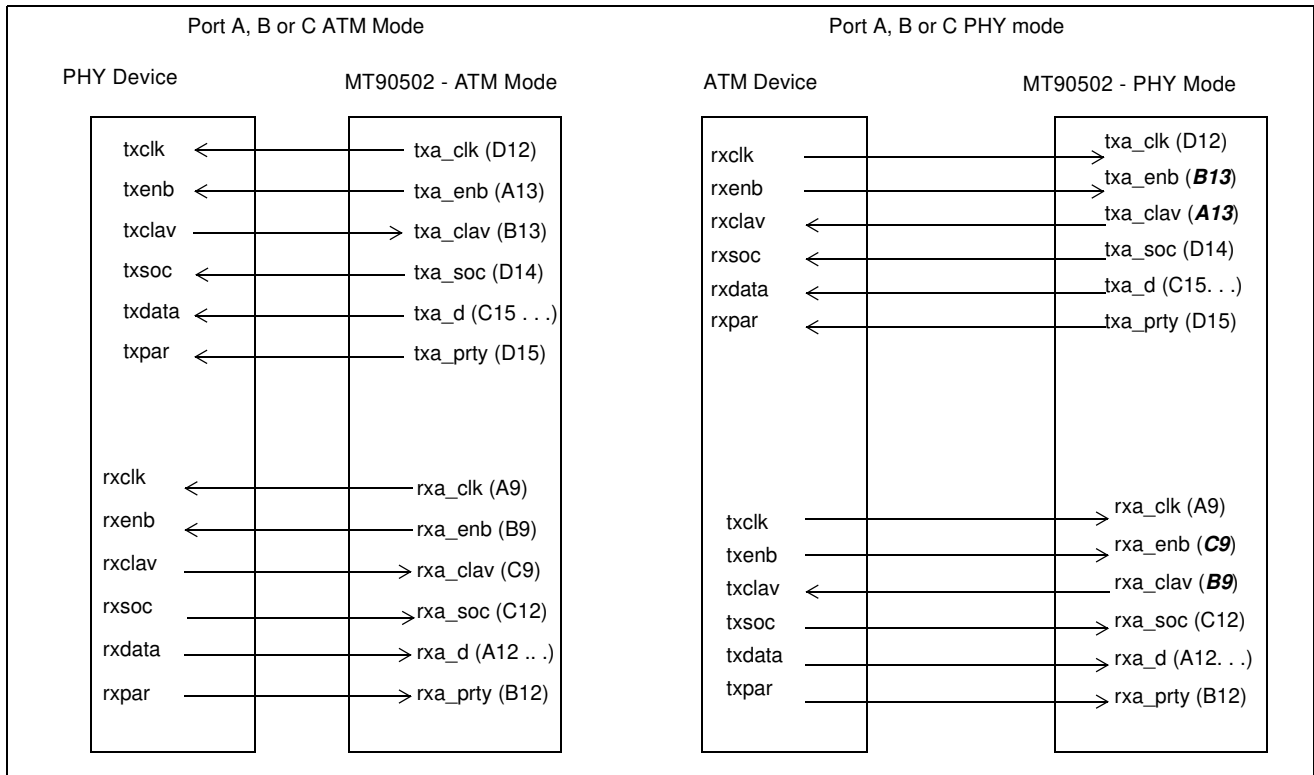


Figure 40 - External UTOPIA Interface

### 2.6.8 UTOPIA Flow Control

The UTOPIA module contains the ability to prevent cells in the 4-cell input FIFOs (RXA, RXB, RXC, TX Data Cell FIFO and TX\_SAR) from being processed by the UTOPIA module in case the output FIFOs (TXA, TXB, TXC and RX\_SAR) exceed programmable levels.

For each pair of input and output FIFO, a threshold can be set independently from 0 to 15 (for TXA, TXB and TXC output FIFOs) or 0 to 63 (for RX\_SAR output FIFO). Once the cell level in output FIFO exceeds that threshold, cells from that input FIFO are blocked until the output FIFO empties itself below the threshold. There are cell arrival counters and cell departure counters for each port.

## 2.7 H.100/H.110 Interface

### 2.7.1 Overview

The H.100/H.110 interface is compatible with the ECTF H.100/H.110 hardware compatibility specification, Computer Telephony BUS (CT-BUS), and its implementation on the PCI computing platform. The TDM interface of the MT90502 can be used to interface as bus master or bus slave with the H.100/H.110 bus. The MT90502 supports up to 32 TDM Streams running at 8.192 MHz (up to 4096 time slots). Also, as required in the specification, 16 TDM streams can be configured to run at lower frequencies of 4.096MHz or 2.024MHz. The MT90502 can perform loopback on 128 channels.

## 2.7.2 Bus Signalling

There are four classes of signals on the H.100/H.110 CT-Bus: Core, Compatibility, Optional, and Reserved signals. Core, Compatibility, and Reserved signals are required for all H.100/H.110 compatible devices. These signals are described in Table 26, “CT-Bus Signalling Function,” on page 78.

## 2.7.3 H.100/H.110 Slave

Class	Signal	Function
Core	CT_FRAME_A	Frame Synchronisation, driven by the “A” clock master.
	CT_C8_A	Bit clock driven by the “A” clock master.
	CT_FRAME_B	Configurable frame synchronisation, driven by the “B” clock master.
	CT_C8_B	Configurable bit clock - driven by “B” clock master.
	CT_D[31:0]	Serial Data lines that collectively carry 32 signals and are referred to as the CT_D bus. Each signals contain 128 time slots per frame at a clock frequency of 8.192 MHz.
	CT_NETREF	Secondary network timing reference, providing backup network synchronisation to the CT Bus.
Compatibility	FR_COMP	Compatibility frame pulse, driven by current clock master, that serves as the frame synchronization signal for the SCBus (Fsync*) and MVIP (F0) signals.
	SCLK	SCBus system clock, driven by current clock master. The signal is selectable (2, 4, or 8 MHz) and is used to identify the data bits positions on the SCBus.
	SCLKx2	SCBus system clock times two, driven by clock master.
	C2	MVIP-90 bit clock, driven by current clock master. The clock frequency is 2 MHz, nominally symmetrical.
	C4	MVIP-90 bit clock times two, driven current by clock master. The clock frequency is twice C2, and transitions of C2 are synchronous with the falling edge of C4.
	C16+, C16-	H-MVIP 16 MHz Clock, driven by current clock master. This differential signal is used to read and write bits on the serial data lines by H-MVIP boards.
Optional	CT_MC	Message Channel for inter-device communication. This signal is terminated on each CT Bus interface in the system which has message bus capability.
	CT_+5Vdc	Provides power to active transition devices (cable adapters).
Reserved		Signals reserved for future use.

**Table 26 - CT-Bus Signalling Function**

The H.100/H110 interface can sample the incoming data on the ct\_d[31:0] at different sampling points: 2/4, 3/4 or 4/4 sampling. The desired sampling point can be set by setting the timing configuration register (732h). When transmitting data, the H.100/H.110 can tri-state its pins between 20 ns and 0 ns before the rising edge of the clock or it can tri-state synchronously on the rising edge of the clock. Both of these options allow flexibility in compatibility with other devices that are not fully H.100/H.110 compliant.

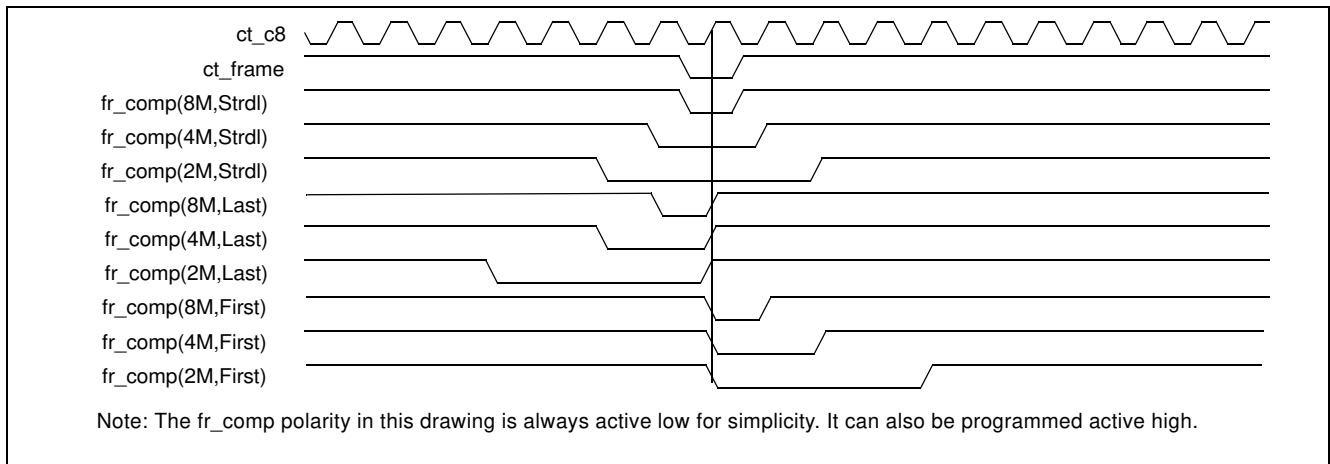
## 2.7.4 Operating as a Slave

Two clocks, A and B, can be configured to set one clock as primary bus master and the other one as backup master. In the event of primary clock failure, the interface can switch over to backup. The MT90502, when operating

as a slave, has the choice of clocking on A, clocking on B, clocking on A with B as backup, or clocking on B with A as backup. When set to perform automatic switch-over, the interface monitors the active bus master to determine if its ct\_c8 clock edges are within  $\pm 35$  ns of their expected edge times (122 ns apart) and the ct\_frame signal occurs upon the 1024 ct\_c8 clock cycle. If ct\_c8 or ct\_frame errors are reported on the bus master signals, the ct\_c8 or ct\_frame is considered invalid and the slave will switch to the backup master (if backup has been configured). The MT90502 will always monitor these signals and will report errors on either of the two bus masters in status0 register (702h).

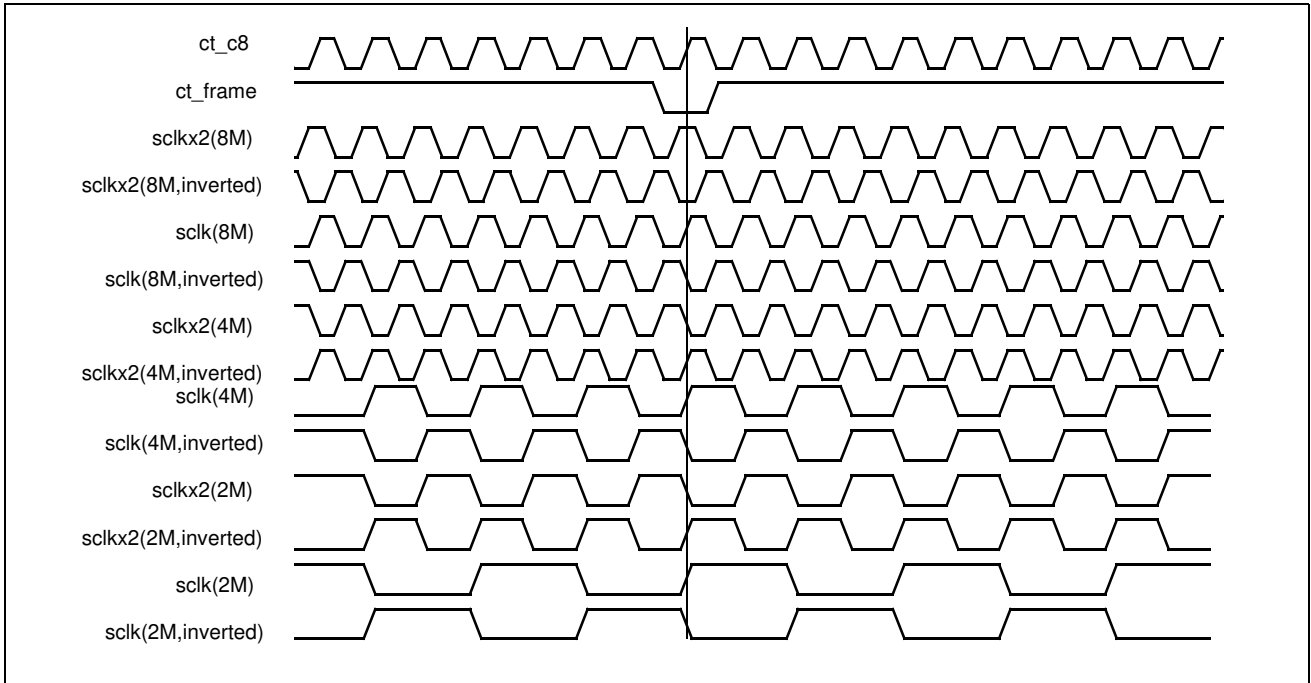
**2.7.5 Operating as a Master**

When configured as a bus master, the MT90502 can be a bus master on A, B, backup on A or backup on B. The difference between a bus master and a bus backup is that bus master drives all compatibility clocks, and the bus backup does not. When configured as a bus backup, the MT90502 uses the same error signals or error flags to determine if the current bus master is valid or if MT90502 reverts to be the master. Note that the bus mastership can be overridden in registers mastership\_hidden0 (774h), mastership\_hidden1 776h) and mastership\_hidden2 (778h) by ensuring that the MT90502 cannot drive the H.100/H.110 clock and frame signals. If the MT90502 is a backup on the bus and the primary master fails, it will stop synchronising to the master and track the local reference.

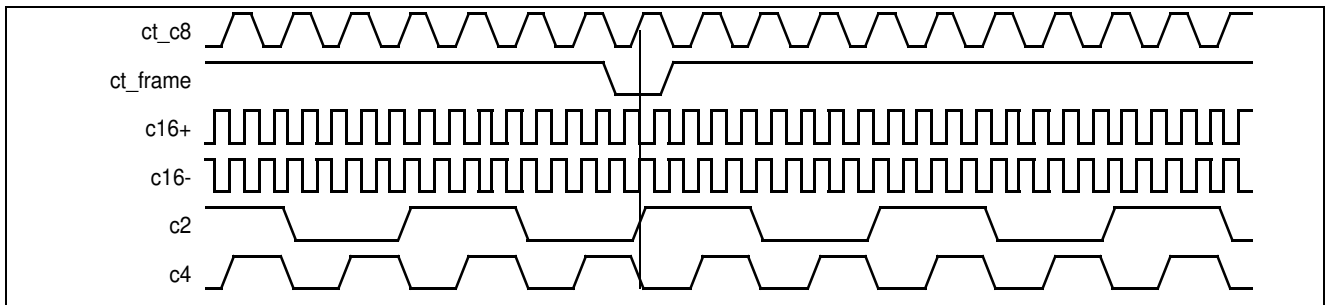


**Figure 41 - TDM Bus Timing - Fr\_Comp Generation**

Once configured as bus master, MT90502 provides compatibility clocks generated by H.100/H.110 module. Figure 42, "TDM Bus Timing - sclx2 Generation," on page 80 shows the MT90502's compatibility signals generated on H.100/H.110 interface.



**Figure 42 - TDM Bus Timing - sclkx2 Generation**



**Figure 43 - TDM Bus Timing - Compatibility Clock Generation (other than sclk, sclkx2)**

The sclk and sclkx2 signals can be programmed in mastership0 register (720h) to have identical or opposite polarities as defined in the H.100/H.110 specifications. In addition, the frequency of sclk can be programmed to be 8.192 MHz, 4.096 MHz or 2.048 MHz.

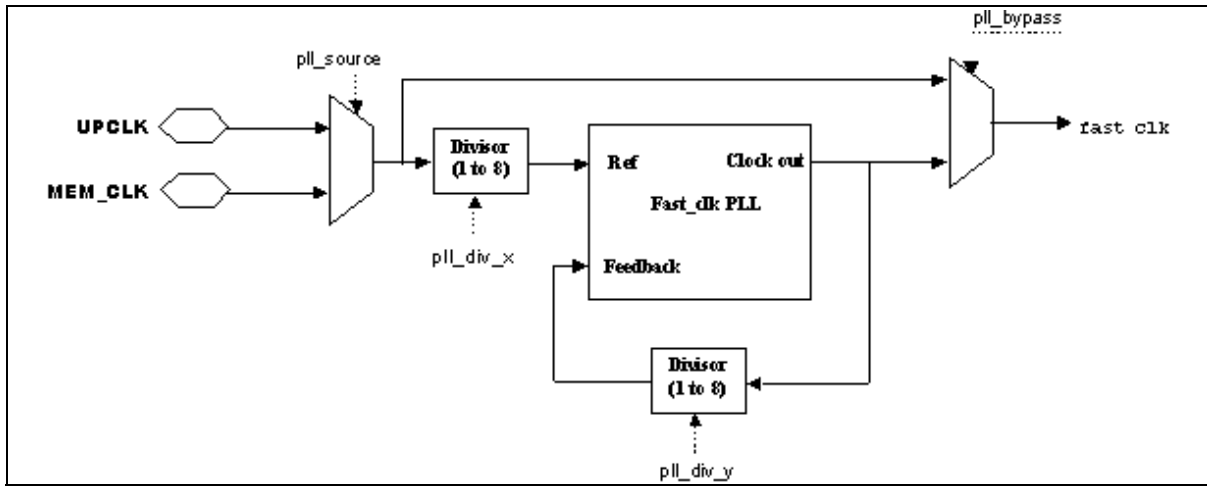
The lower 16 streams on the H.100/H110 bus are grouped into 4 and are capable of operating at the following frequencies: 8.192 MHz, 4.096 MHz, or 2.048 MHz. The MT90502 can be programmed such that all 32 streams are arranged in groups of 4 streams - ct\_c[3:0], ct\_c[7:4], ct\_c[11:8], ct\_c[15:12], ct\_c[19:16], ct\_c[23:20], ct\_c[27:24] and ct\_c[31:28]. Each group can be assigned a desired frequency. These features are programmed in clock\_rates register (730h).

In addition, the MT90502, instead of supporting the full bandwidth of H.100/H.110, can be configured to only interface with 4, 8 or 16 streams on the bus. This allows the MT90502 to operate at lower frequencies. The lowest streams are used in these cases.



**2.7.6 H.100/H.110 Clock Selection Guide**

Fast\_clk is used internally by the MT90502 as its main operating clock. The internal logic used to generate fast\_clk is show in Figure 44 on page 81. Typically mem\_clk would be selected using pll\_source.



**Figure 44 - Fast Clock Generation**

The pll\_div\_x and pll\_div\_y should be programmed according to Figure 44, “Fast Clock Generation,” on page 81. The fast\_clk frequency is given by the formula

$$\text{fast\_clk} = \text{input\_frequency} \times \frac{\text{pll\_div\_y}}{\text{pll\_div\_x}}$$

upclk/mem_clk (MHz)	pll_div_x	pll_div_y
>75	1	2
>66	2	5
>50	1	3
>40	1	4
>30	1	5
>25	1	6

**Table 27 - Fast Clock PLL Divisor Values**

Label	Register	Bit Position
pll_div_x	16Ch	3:1
pll_div_y	16Ch	6:4
pll_bypass	16Ch	7
pll_source	16Ch	8

**Table 28 - Fast Clock Registers**

The mastership mode and slaveship mode of the MT90502's TDM interface can be programmed using register 722h. Mastership mode determines on which bus(es), A or B, the MT90502 will act as a master or backup. When configured as a master on a bus, the MT90502 drives the frame pulse and clock on that bus as well as the compatibility signals (if enabled). When configured as a backup on a bus, the MT90502 drives the frame pulse and clock on that bus, but does not drive the compatibility signals. The slaveship mode configures the MT90502 to synchronize its internal timing to the ct\_frame pulse and ct\_c8 clock on either the A or the B bus. The slaveship mode is completely independent of the mastership mode. An example configuration would have the mastership mode set for the MT90502 to be a master on A and setting the slaveship mode for the MT90502 to track on A.

Register 774h can be used to override the operation of the MT90502 based on the selections made in register 722h. The automatic\_master\_override bit will enable the rest of the values in this register. The mux0\_select\_override bit will stop the automatic fallback of the slaveship mode (from A to B or B to A). The mux1\_select\_override bit will select between using ct\_c8\_a/ct\_c8\_b or H.110 PLL output clock as the feedback signal to the H.110 PLL. The mux2\_select\_override bit will select between ct\_c8\_a/ct\_c8\_b or pll\_clk as the reference source for the H.110 PLL. The mux3\_select\_override bit will select between using either an external pll\_clk or the H.110 PLL output as the clock used to generate the ct\_c8\_x and ct\_frame\_x and clock signals.

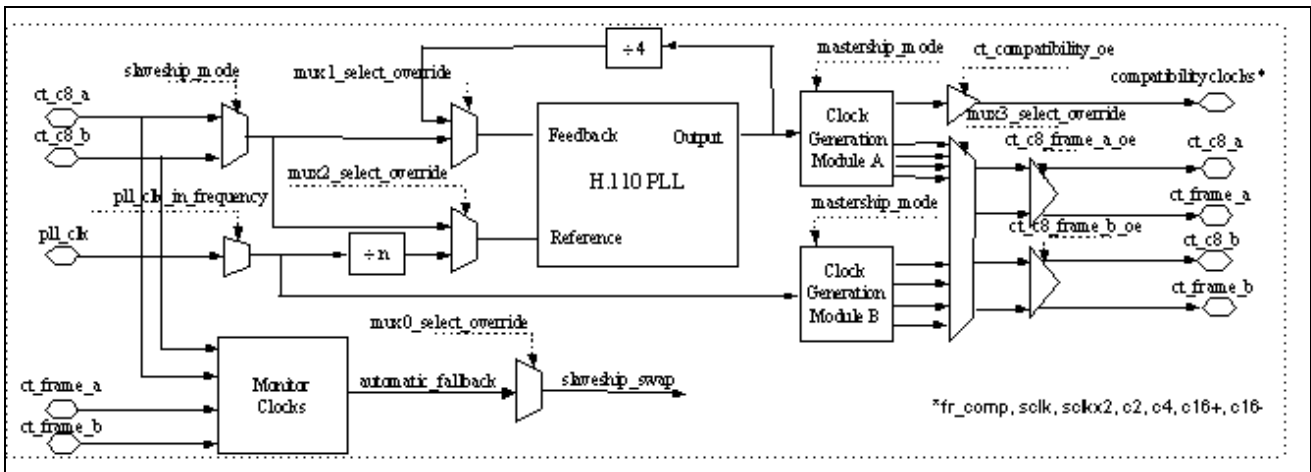


Figure 45 - H.100/H.110 PLL Clock Selection

Label	Register	Bit Position
pll_clk_in_frequency	700h	1:0
ct_c8_frame_a_oe	720h	0
ct_c8_frame_b_oe	720h	1
ct_compatibility_oe	720h	2
mastership_mode	722h	1:0
slaveship_mode	722h	3:2
automatic_master_override	774h	0
mux0_select_override	774h	1
mux1_select_override	774h	2
mux2_select_override	774h	3
mux3_select_override	774h	5:4

Table 29 - H.100/H110 PLL Clock Selection Registers

## 2.8 Clock Recovery

### 2.8.1 Overview

The purpose of the clock recovery module is to synchronize the TDM clock domain of the MT90502 with other devices on the network through information transmitted across the ATM link. Clock recovery is necessary only when the MT90502 is operating as the TDM clock master.

The clock recovery system is composed of several sub-components:

#### 2.8.1.1 Adaptive Clock Recovery Modules

These modules generate data on a regular basis which is written to external memory for the CPU to read and is used by the clock recovery algorithm. Counts of mem\_clk and adapx\_ref clock, as well as the current UUI and LI values, associated with the current cell, are placed in external memory.

##### adapx\_ref clock generation

These modules divide mem\_clk to a desired frequency with a 16-bit integer and 16-bit fraction. These 32 bits are normally determined by the clock recovery algorithm.

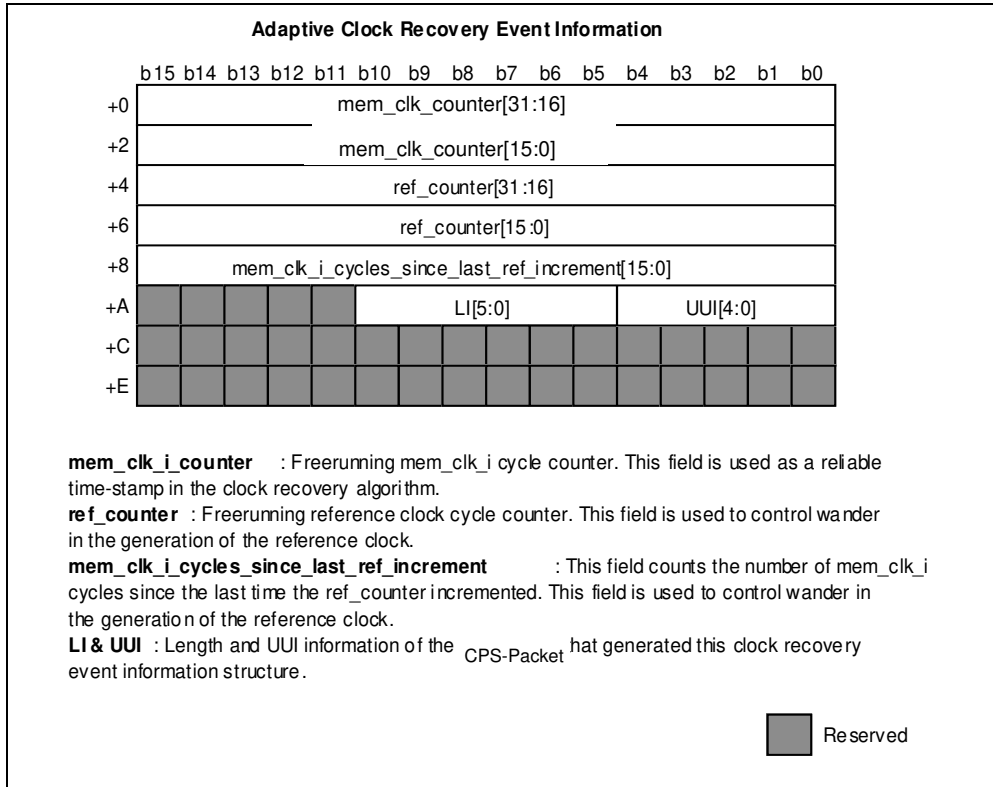
#### 2.8.1.2 Multiplexers

There are eight general purpose I/Os as well as two ct\_netref pins. Each has the ability to multiplex one of 23 signals as outputs.

### 2.8.2 Adaptive Clock Recovery Modules

The MT90502 has two clock recovery modules, A and B. Each module receives pulses obtained either from the UTOPIA module (timing reference VCs) or from the Rx SAR (timing reference CPS-Packets). The signals clkrecov\_pulse\_a and clkrecov\_pulse\_b come from one of these modules. The modules which generate the A and B clkrecov\_pulses are configured by the A and B bits. These are configured in the UTOPIA section for timing reference VCs or in the Rx SAR section for timing reference CPS-Packets. The VC/CPS-Packet designated A is the timing reference for the A clock recovery module (clkrecov\_pulse\_a). Similarly, for the B clock recovery module, the clkrecov\_pulse\_b is generated by the VC/CPS-Packet designated by its B bit.

Running in parallel, are counters of the mem\_clk and adapx\_ref signals. A clock recovery event structure is written to external memory with the arrival of every X pulses of clkrecov\_pulse\_x. The structure (see Figure 46 on page 84) is composed of the 32-bit "mem\_clk" counter, the 32-bit "ref" counter, a 16-bit "mem\_clk\_cycles\_since\_last\_ref\_increment" counter (fraction of the ref), as well as the LI and UUI of the received CPS-Packet. These event structures are written to a buffer in external memory, and the clock recovery module will generate an interrupt when the buffer is more than half full (if enabled in bit 10 of register 210h). Clock recovery events arrive at a fixed rate, therefore the size of the buffer chosen (820h, 828h Table 31, "Buffer Sizes," on page 90) will completely determine the rate at which it needs to be serviced. To decrease the number of points written to memory, program the keep\_one\_pulse\_out\_of\_x register (710h & 718h see Table 30, "Clock Recovery Registers," on page 88) to a value greater than 1.



**Figure 46 - Adaptive Clock Recovery Event Information**

The base addresses and structures sizes for adaptive clock recovery event structures for module A and module B are programmable in registers 820h 'pointa\_manage' and 828h 'pointb\_manage' respectively. The address of the structures to be read can be determined using the read and write pointers located in registers 822h 'pointa\_read', 824h 'pointa\_write', 82Ah 'pointb\_read' and 82Ch 'pointb\_write'.

Similar to the event/error FIFO and the data cell FIFO, the read pointers must be updated by the CPU/software and the write pointers are updated by the hardware.

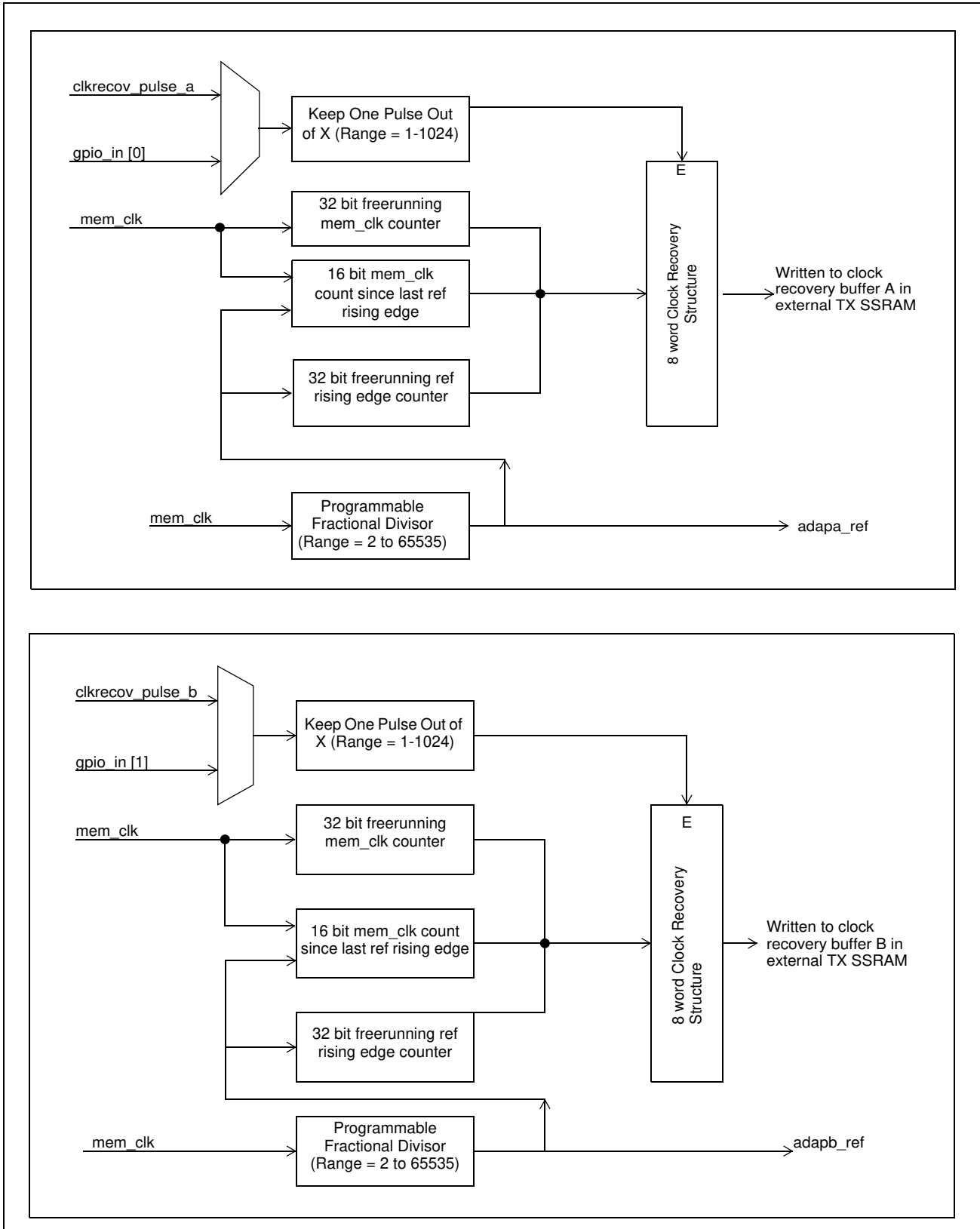


Figure 47 - Adaptive Clock Recovery Modules

### 2.8.2.1 adapx\_ref Clock Generation

The second portion of the clock recovery circuit is concerned with generating the adapx\_ref signal. When the CPU reads the information placed in the clock recovery event buffer, the clock recovery algorithm can subsequently calculate any correction required to the rate of the adapx\_ref clock. A typical configuration would see the adapx\_ref signal operating at 8 kHz. This is outputted to a PLL which multiplies the frequency up to 16.384 MHz. Finally, the 16 MHz clock is used as the driving clock for the TDM section, pll\_clk (pin AB2).

The adapx\_ref clocks are generated by dividing mem\_clk by a 16-bit integer (712h & 71Ah) and 16-bit fraction (714h & 71Ch). This allows a highly precise division (with mem\_clk running at 50 MHz and the target clock speed 8 kHz, it gives a precision of 2.4 ppb).

$$f_{\text{adapx\_ref}} = \frac{f_{\text{mem\_clk}}}{\text{integer} + \frac{\text{fraction}}{65536}}$$

The fractional divider will introduce jitter into the adapx\_ref signal of a maximum of one mem\_clk cycle. If it is desired that no jitter be added by the adapx\_ref module, set fraction to 0 (this will reduce precision to 160 ppm from 2.4 ppb). The integer and fraction are programmed by the clock recovery algorithm. The adapx\_ref signal can be driven onto any of the eight GPIOs on the MT90502, or to one of the ct\_netrefs (see Figure 49). It can be externally routed to a PLL used to multiply it up from 8 kHz to 16.384 MHz and then rerouted into the MT90502 on the pll\_clk pin.

### 2.8.3 Multiplexers

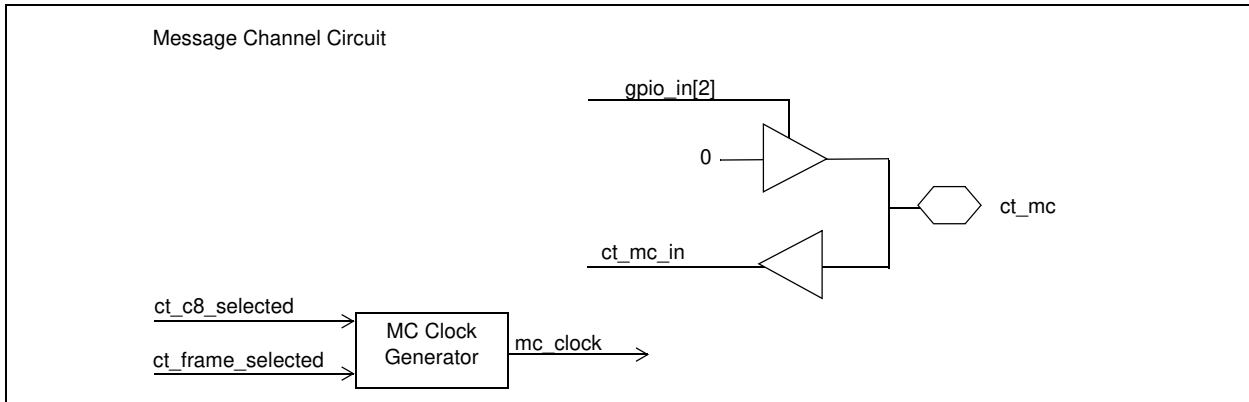
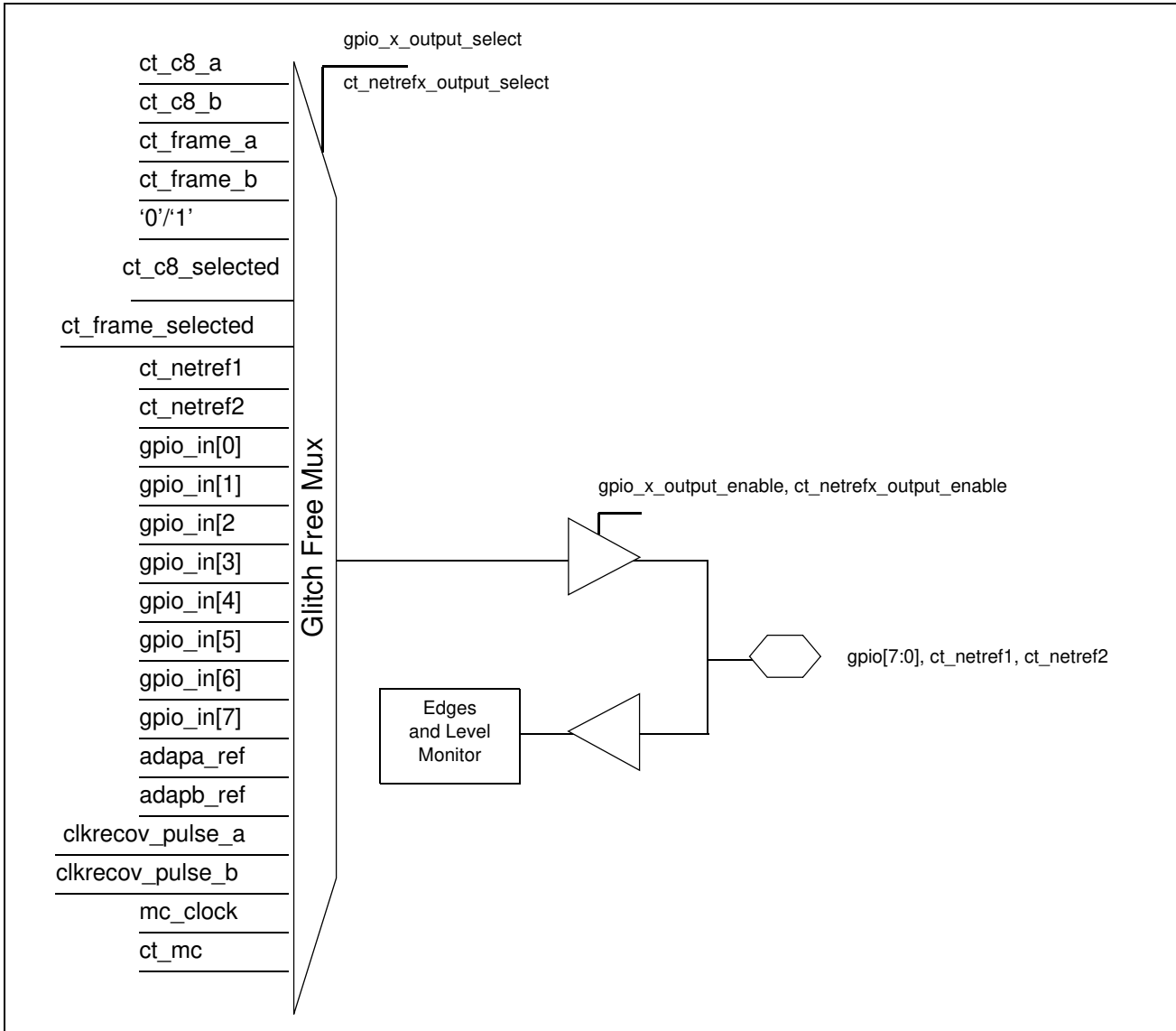


Figure 48 - Message Channel



**Figure 49 - GPIO Functionality**

There are eight GPIO multiplexers in the clock recovery section of the MT90502. In addition, there are two multiplexers for the two ct\_netref signals of the H.110 bus. See registers 740h - 748h (Table 30, "Clock Recovery Registers," on page 88). There are 23 possible inputs for each multiplexer (see Table 32, "GPIO mux, Output Selection," on page 90).

Address	Bits	Register	Bits	Description
210h	[10]	interrupt_flags	clkrecov_alarm_interrupt_active	Indicates clock recovery buffer is half full.
218h	[10]	interrupt_enable1	clkrecov_alarm_interrupt1_enable	Activates interrupt1 when clkrecov_alarm set.
21Ah	[10]	interrupt_enable2	clkrecov_alarm_interrupt2_enable	Activates interrupt2 when clkrecov_alarm set.
710h	[9:0]	adapa0	keep_one_pulse_out_of_x	Number of points generated to send to external memory.
	[10]		clk_divisor_reset	If '0', reset clock divisor.
	[12:11]		source	'00' - reference VC, '01' - gpio[0] all edges, '10' gpio[0] rising edges, '11' gpio[0] falling edges
	[13]		clk_divisor_load_now	If set to '1', loads adaptive module A's divisor.
712h	[15:0]	adapa1	div_integer	Adaptive module A - integer divisor
714h	[15:0]	adapa2	div_fraction	Adaptive module A - fractional component of divisor
718h	[9:0]	adapb0	keep_one_pulse_out_of_x	Number of points generated to send to external memory.
	[10]		clk_divisor_reset	If '0', reset clock divisor.
	[12:11]		source	'00' - reference VC, '01' - gpio[0] all edges, '10' gpio[0] rising edges, '11' gpio[0] falling edges
	[13]		clk_divisor_load_now	If set to '1', loads adaptive module A's divisor.
71Ah	[15:0]	adapb1	div_integer	Adaptive module A - integer divisor
71Ch	[15:0]	adapb2	div_fraction	Adaptive module A - fractional component of divisor
740h	[4:0]	gpio_out_reg0	gpio_0_output_select	See Table 32, "GPIO mux, Output Selection," on page 90.
	[5]		gpio_0_output_constant	Constant value of '00110' (see Table 32)
	[6]		gpio_0_output_enable	'0' - tri-state, '1' - output enabled.
	[12:8]		gpio_1_output_select	see Table 32
	[13]		gpio_1_output_constant	Constant value of '00110' (see Table 32)
	[14]		gpio_1_output_enable	'0' - tri-state, '1' - output enabled.
742h	[4:0]	gpio_out_reg1	gpio_2_output_select	See Table 32, "GPIO mux, Output Selection," on page 90.
	[5]		gpio_2_output_constant	Constant value of '00110' (of Table 32)
	[6]		gpio_2_output_enable	'0' - tri-state, '1' - output enabled.
	[12:8]		gpio_3_output_select	See Table 32, "GPIO mux, Output Selection," on page 90.
	[13]		gpio_3_output_constant	Constant value of '00110' (of Table 32)
	[14]		gpio_3_output_enable	'0' - tri-state, '1' - output enabled.
744h	[4:0]	gpio_out_reg2	gpio_4_output_select	See Table 32, "GPIO mux, Output Selection," on page 90.

Table 30 - Clock Recovery Registers



Address	Bits	Register	Bits	Description
	[5]		gpio_4_output_constant	Constant value of '00110' (of Table 32)
	[6]		gpio_4_output_enable	'0' - tri-state, '1' - output enabled.
	[12:8]		gpio_5_output_select	See Table 32, "GPIO mux, Output Selection," on page 90.
	[13]		gpio_5_output_constant	Constant value of '00110' (See Table 32 - on page 90).
	[14]		gpio_5_output_enable	'0' - tri-state, '1' - output enabled.
746h	[4:0]	gpio_out_reg3	gpio_6_output_select	See Table 32, "GPIO mux, Output Selection," on page 90.
	[5]		gpio_6_output_constant	Constant value of '00110' (see Table 32, "GPIO mux, Output Selection," on page 90).
	[6]		gpio_6_output_enable	'0' - tri-state, '1' - output enabled.
	[12:8]		gpio_7_output_select	See Table 32, "GPIO mux, Output Selection," on page 90.
	[13]		gpio_7_output_constant	Constant value of '00110' (of Table 32)
	[14]		gpio_7_output_enable	'0' - tri-state, '1' - output enabled.
748h	[4:0]	gpio_out_reg4	ct_neterf1_output_select	See Table 32, "GPIO mux, Output Selection," on page 90.
	[5]		ct_neterf1_output_constant	Constant value of '00110' (See Table 32, "GPIO mux, Output Selection," on page 90).
	[6]		ct_neterf1_output_enable	'0' - tri-state, '1' - output enabled.
	[12:8]		ct_neterf2_output_select	See Table 32, "GPIO mux, Output Selection," on page 90.
	[13]		ct_neterf2_output_constant	Constant value of '00110' (of Table 32)
	[14]		ct_neterf2_output_enable	'0' - tri-state, '1' - output enabled.
802h	[1]	status0	pointa_buf_overflow	Overflow occurred in the point A buffer.
	[2]		pointb_buf_overflow	Overflow occurred in the point B buffer.
804h	[1]	satus0_ie	pointa_buf_overflow	If '1', pointa_buf_overflow will generate interrupt.
	[2]		pointb_buf_overflow	If '1', pointb_buf_overflow will generate interrupt.
820h	[8:0]	pointa_manage	pointa_buffer_base_add	Bits 20:12 of the base address of the clock recovery point buffer.
	[11:9]		pointa_buffer_size	see Table 31
822h	[13:0]	pointa_read	pointa_rpnt	CPU's read pointer to the clock recovery point FIFO.
824h	[13:0]	pointa_write	pointa_wont	Chip's write pointer to the clock recovery point FIFO.
828h	[8:0]	pointb_manage	pointb_buffer_base_add	Bits 20:12 of the base address of the clock recovery point buffer.
	[11:9]		pointb_buffer_size	See Table 31, "Buffer Sizes," on page 90.
82Ah	[13:0]	pointb_read	pointb_rpnt	CPU's read pointer to the clock recovery point FIFO.
82Ch	[13:0]	pointb_write	pointb_wont	Chip's write pointer to the clock recovery point FIFO.

Table 30 - Clock Recovery Registers (continued)

Register Value	Memory Allocated
000	4 K
001	8 K
010	16 K
011	32 K
100	64 K
101	128 K
others	reserved

**Table 31 - Buffer Sizes**

gpio_x_output_select	Signal
00000	ct_c8_a_in
00001	ct_c8_b_in
00010	ct_frame_a_in
00011	ct_frame_b_in
00100	ct_c8_selected
00101	ct_frame_selected
00110	output constant ("0"/"1")
00111	ct_netref1_in
01000	ct_netref2_in
01001	gpio_in(0)
01010	gpio_in(1)
01011	gpio_in(2)
01100	gpio_in(3)
01101	gpio_in(4)
01110	gpio_in(5)
01111	gpio_in(6)
10000	gpio_in(7)
10001	adapa_ref
10010	adapb_ref
10011	clkrecov_pulse_a
10100	clkrecov_pulse_b
10101	mc_clock
10110	ct_mc_in

**Table 32 - GPIO mux, Output Selection**

## 2.9 Silence Suppression

### 2.9.1 Overview

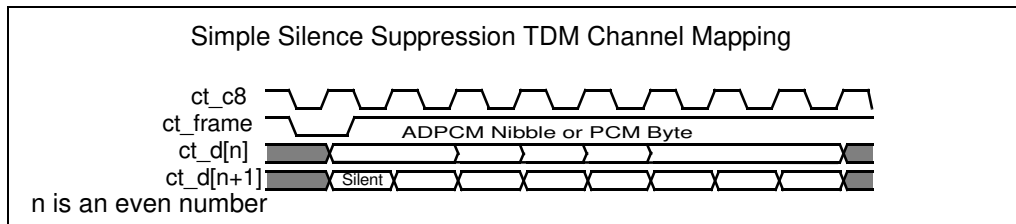
The Variable Bit Rate properties of the AAL2 standard permits the use of silent suppression. The MT90502 exploits this feature to enable optimal bandwidth usage for voice communications. The MT90502 has the capability to determine if an AAL2 CPS-Packet (transmitted or received) is considered silent. Two configurations can be employed for silent suppression: simple silence suppression and complex silence suppression. Simple silence suppression mode uses an external resource or the match & mask feature determines the silent status of the byte. In complex silence suppression mode the MT90502 determines the silent status on the current CPS-Packet. The MT90502 maintains a maximum channel capacity of 1023 channels with or without silence suppression enabled.

### 2.9.2 Simple Silent Suppression

#### 2.9.2.1 Silent Bit Indication

Simple Silent Suppression relies upon an external resource to perform the silent decision operation unless the match and mask method is employed. The result yielded from the external resource is conveyed to the MT90502 by a silent bit in the associated TSST (see Figure 50 on page 91). A one in silent bit indicates that the accompanying PCM or ADPCM sample is a silence. The position of silent bit is programmable through register 500h. Upon the reception of a complete CPS-Packet of silence, the CPS-Packet is considered silent and the process of generating an SID CPS-Packet is initialized.

The Noise Level field in SID packet will contain an idle code (no noise).



**Figure 50 - Simple Silent Suppression Stream Configuration**

#### 2.9.2.2 Last Byte Indication

This method is only available when TDM Format B is deployed. In this mode, external silence suppression engine shall make the decision whether a CPS-Packet is silence or voice, and indicate a silent packet by putting 00h on the last byte of that packet, together with PCM bit equal to 0 (see Figure 9 on page 34 and Figure 11 on page 36). MT90502 calculates the average energy of the packet based on the Tx PCM unsigned magnitudes received on the first TSST. Tx PCM magnitude given to MT90502 must be an unsigned value without DC offset. Upon detecting silent packet pattern at the end of the packet, the MT90502 will discard that packet and start silence period. Should a SID packet be sent out, MT90502 will insert the calculated energy level into SID byte.

#### 2.9.2.3 Match and Mask Determines Silence

The match and mask filtering operation operates in a similar method as the UTOPIA match and mask. There are two match and mask registers: 'Silent Pattern Detection Register A' and 'Silent Pattern Detection Register B' address (512h and 514h respectively). The registers are configured to compare selected bits of the PCM value. The mask field determines which bits to compare and the match field detects silent values. If the byte yields a 0 result from the match and mask filter, then the byte is regarded as silent. Upon the reception of a complete CPS-Packet of silence, the CPS-Packet is considered silent and the process of generating an SID CPS-Packet is initialized.

The Noise Level field in SID packet will contain an idle code (no noise).

TDM Data Byte	1 0 1 1 0 0 1 0	1 0 1 1 0 1 1 0
Match Value	1 0 1 1 0 0 1 0	1 0 1 1 0 0 1 0
Match Result	0 0 0 0 0 0 0 0	0 0 0 0 0 1 0 0
(1 = Mismatch)		
Mask Value	1 1 1 1 1 1 1 1	1 1 1 1 1 1 1 1
Mask Result	0 0 0 0 0 0 0 0	0 0 0 0 0 1 0 0
(1 = mismatched cell)		
Result	Considered Silent	Not Silent
For each bit, result = (match XOR header) AND mask		

Figure 51 - Silent Suppression Mask & Match Example

### 2.9.3 Complex Silent Suppression

Complex silence suppression eliminates the external resource requirement to determine silent byte or silent packet. The MT90502 analyses both the remote (Rx direction) and local (Tx direction) signals and evaluates if silence is to be suppressed. The remote and local signals are processed to determine their average dB value over a CPS-Packet. The mean average dB of the CPS-Packet for both directions are employed to identify the transmission state as defined in the user configurable State Graph (Figure 52 on page 92).

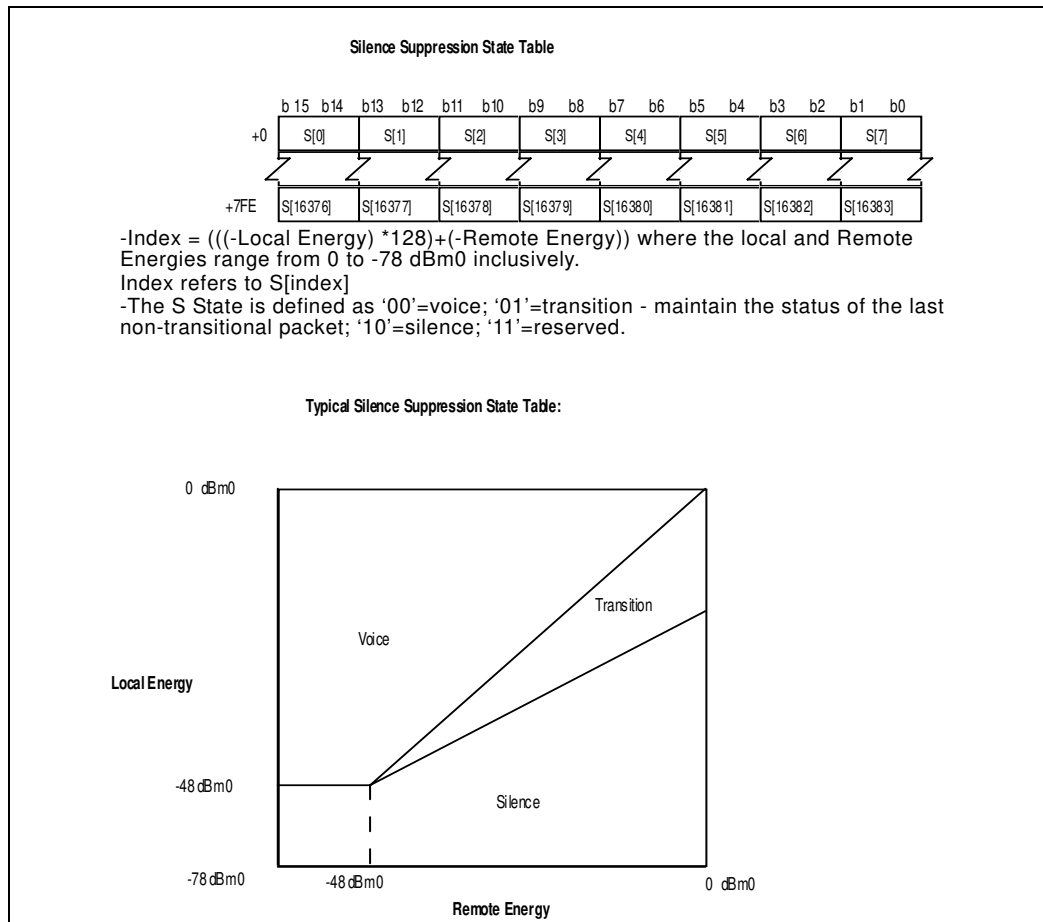


Figure 52 - Complex Silent Suppression Configurable State Graph

**2.9.3.1 Complex Silent Suppression Operation**

**PCM Law Table**

PCM A-law and  $\mu$ -law translation is supported by MT90502 on a per channel basis. For RX PCM channel, input law (from received CPS packet) and output law (sent on TDM bus) are controlled through RX TDM Control Memory Structures as shown in Figure 29, “RX Channel Association Memory (RX CAM),” on page 65.

For TX PCM channels, law translation is configured in PCM Law Table located at 1000h-11FEh.

	b15 b14	b13 b12	b11 b10	b9 b8	b7 b6	b5 b4	b3 b2	b1 b0
1000h					ch[0]	ch[1]	ch[2]	ch[3]
1002h					ch[4]	ch[5]	ch[6]	ch[7]
					...	...	...	...

ch[x]: Law translation for TX PCM channel number X.

- 00 -  $\mu$ -law to  $\mu$ -law
- 01 -  $\mu$ -law to A-law
- 10 - A-law to  $\mu$ -law
- 11 - No translation

**Figure 53 - PCM Law Table**

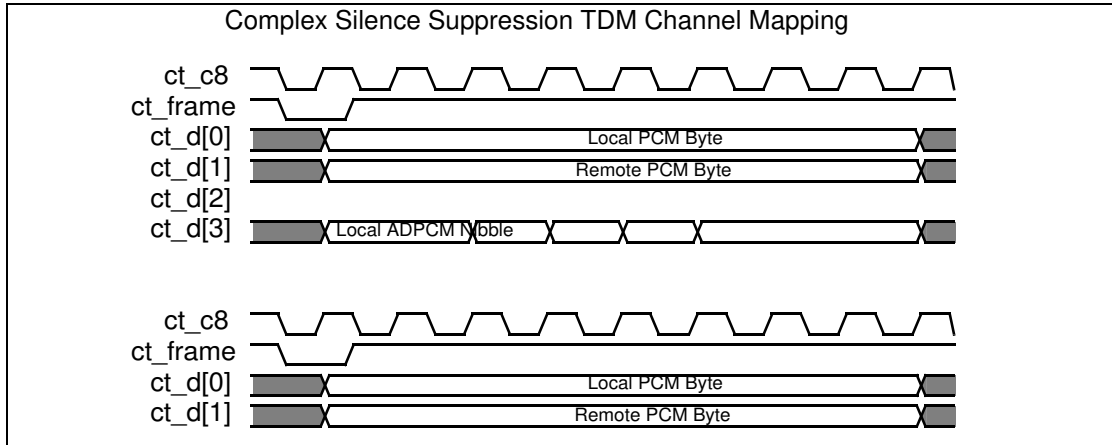
**DC Offset Calculation**

The DC component is calculated in both remote and local voice PCM bytes. The MT90502 is able to perform an accumulation of the PCM linear values over a number of PCM samples (see Local and Remote DC Offset Figure 61 on page 98) in the reception direction. Accumulation of DC offset is enabled only when CPS-Packet Assembly Structure is in DC Calculation state. After obtaining DC offsets a short while after a call begins, the CPU is then required to change the Assembly Structure to Transition state, and write the DC Offset Correction into the Structure. After that, the Structure can be configured to Suppression state where suppression circuit is activated. No silence is suppressed in either DC calculation state or Transition state.

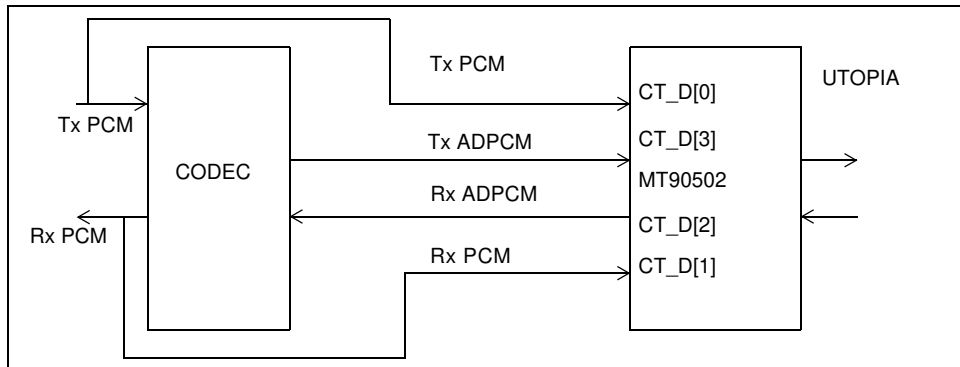
**Signal Energy Calculation**

To obtain the signal energy, the linear PCM value with consideration of the DC offset correction is squared. The MT90502 sums all the byte energy values contained in a CPS-Packet and divides the result by the length of the CPS-Packet to obtain an average energy per byte. Then the MT90502 calculates the linear energy value into its decibel value.

The same process is employed with ADPCM; however, an external CODEC is required to convert the ADPCM to PCM. ADPCM silent suppression TDM streams are associated in groups of 4: for example, the ADPCM channel in transmission is mapped on stream 3, while the local PCM channel is mapped on stream 0, the ADPCM reception channel is mapped on stream 2, and the remote PCM channel on stream 1 (see Figure 54 and Figure 55).



**Figure 54 - Complex Silent Suppression Stream Configuration**



**Figure 55 - ADPCM Complex Silent Suppression Stream Configuration**

**2.9.3.2 CPS-Packet Silence State**

The procedure is identical for both remote and local channels, as the silence suppression function requires information for both local and remote CPS-Packet mean values to consult the State Graph (see Figure 52) and determine the CPS-Packet status. Therefore, a channel on which complex silence suppression is enabled must have its transmit and receive direction streams mapped on consecutive stream and the same time slot (e.g., see Figure 54, “Complex Silent Suppression Stream Configuration,” on page 94). For example, the transmission stream<sub>(odd)</sub> 17, time slot 4 the associated reception stream is reception stream<sub>(even)</sub> 16 time slot 4.

**Silence Suppression State Table**

To determine a CPS-Packet status (i.e., voice, transitional & silence), the TX TDM will reference the local and remote decibel energy levels in external memory. The table contains 2-bit values indicating a combination of local and remote energy levels. Note the Silent State Graph as shown in Figure 52.

The Silence Suppression State Table (4KB) is located in the variable structures of TX SSRAM determined by the ‘Table Offset[20:12]’ field in the CPS-Packet Final Assembly Structure (see Figure 63). The MT90502 can accommodate a different State Table for as many as 512 channels, as different channels may exhibit different line characteristics. The Table Offset field in the CPS-Packet Final Assembly Structure (shown in Figure 63) points to the base address of the Silence Suppression State Table for the associated channel.

**SID Transmission Operation**

After the transmission of an SID, subsequent silent CPS-Packets are suppressed. However, the UUI sequence count is maintained. Therefore the reception device can determine the number of CPS-Packets suppressed. Upon the detection of silence the first suppressed CPS-Packet will be replaced by an SID packet and will contain the Local Energy determined by the CPS-Packet Assembly Structure, without consideration of the Local Energy Correction. Further SID CPS-Packets will be transmitted if the Local Energy is less than 3 dB of the last transmitted SID energy level. Therefore, the energy level transmitted may gradually reduced over the silent period.

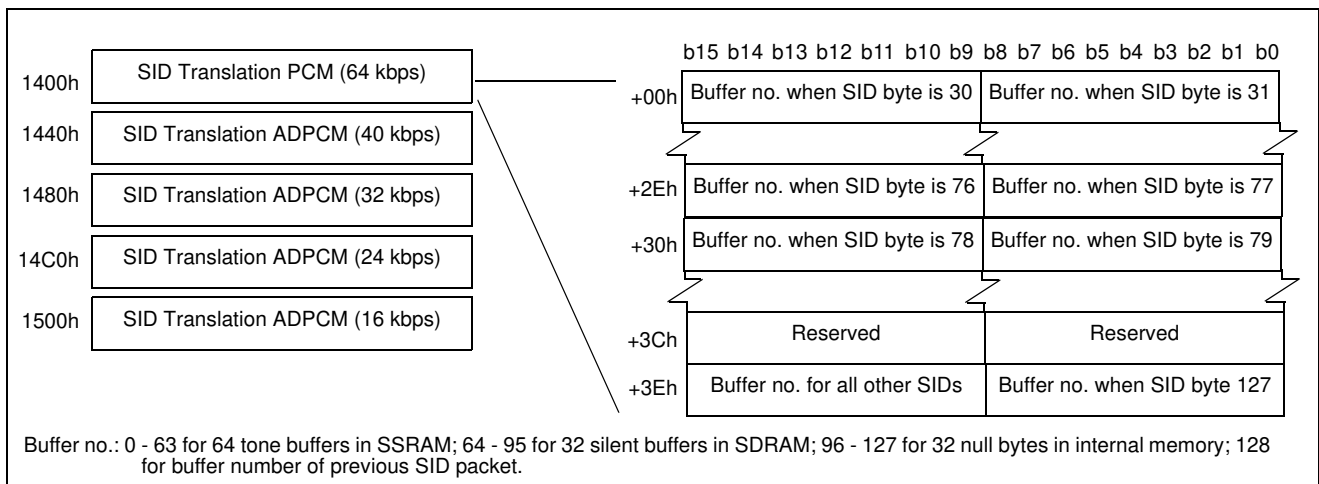
The ratio of silent packets to total CPS-Packets can be determined by consulting the CPS-Packet Final Assembly Structure, SID Count and CPS-Packet Count fields (see Figure 62 and Figure 63).

**SID Reception Operation**

In the reception direction, SID CPS-Packets are employed to insert silent/comfort noise in Rx direction. The MT90502 is required to compensate for suppressed CPS-Packets employing the CPS-Packet loss compensation algorithm in the RX SAR (see Section 2.4.4, CPS-Packet Loss Compensation on page 60). Therefore, it is a requirement to enable the CPS-Packet Loss Compensation employing the UUI sequence number counter in silence suppression mode.

When the RX SAR receives an SID CPS-Packet and in the CPS-Packet Disassembly Structure (see Figure 24 on page 54), LI0 field is configured for Silent Suppression the SID value will identify the Silent/Tone Buffer Number by referencing the SID Byte to Silence Buffer Structure (see Figure 56 on page 95). The SID energy level is mapped to the Silent/Tone Buffer Number in internal memory 1400h to 15FEh. For each SID byte, the Silence/Tone Buffer Number is stored in the SID Byte to Silence Buffer memory location. Different silence buffers must be used depending on the compression type. There are 5 entries for each SID byte, one per compression type:

- PCM 64 kb/s
- ADPCM 40 kb/s
- ADPCM 32 kb/s
- ADPCM 24 kb/s
- ADPCM 16 kb/s



**Figure 56 - SID Byte to Silence Buffer Structure**

The Silent/Tone Buffer Number is written to the ‘Tone Number to Insert’ field located in the RX TDM Control Memory Structure (see Figure 31 on page 67) which identifies the ‘Silent/Tone Buffers’ (e.g., Figure 57 on page 96) in either SSRAM, SDRAM or null byte insertion, for the associated channel. The contents of the ‘Silent/Tone Buffers’ is inserted on the channel in place of the TDM Circular Buffer.

One byte from each silent noise buffer is read at the beginning of each frame and written into internal memory. Therefore a silent/tone value for each active silent channel is primed for the entire frame. The MT90502 can use up to 96 silent noise buffers. In addition, up to 32 null bytes can be used, augmenting the actual number of padding possibilities to 128. At the start of each frame, the MT90502 reads the address, size, and current read pointer of every silent noise buffer, and then reads the corresponding byte. It then updates the read pointer for the next frame and writes it back.

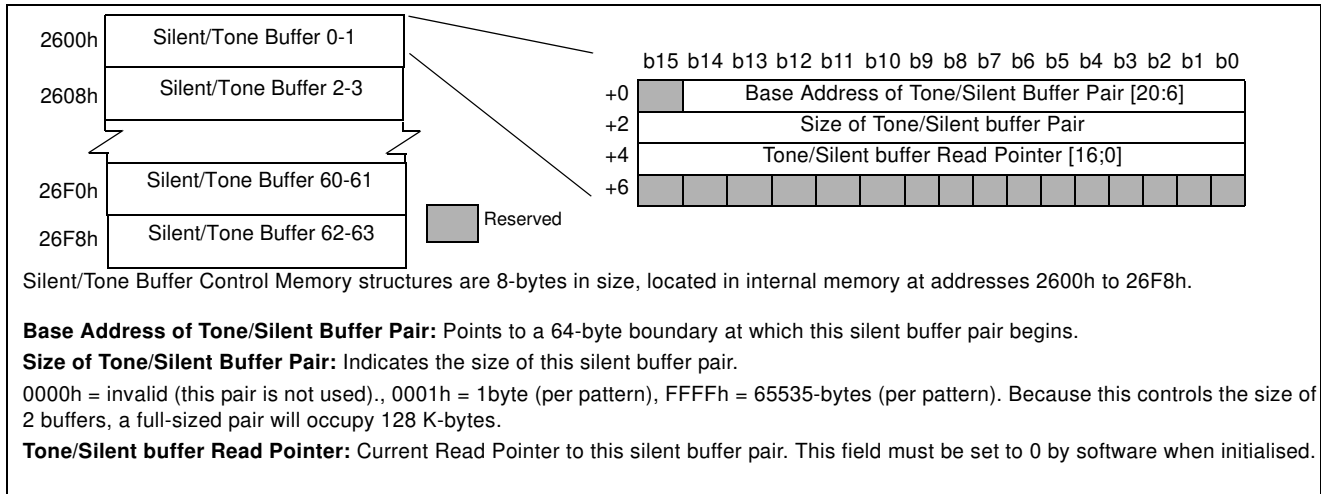


Figure 57 - SSRAM Tone Buffer Control Memory

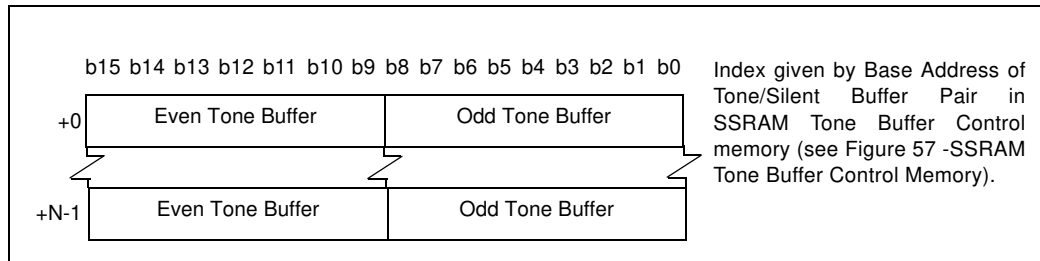


Figure 58 - Silent Tone Buffer Pair in TX SSRAM

32 null bytes are stored in two locations in internal Tone Data Buffer Memory. Both locations must have identical copies.

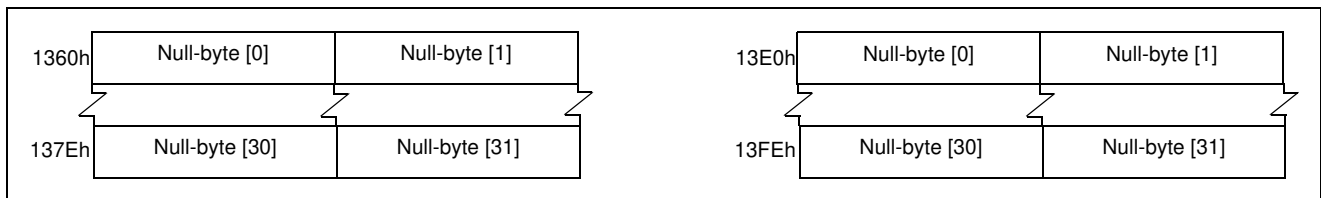


Figure 59 - Null Bytes in Tone Data Buffer Memory



Buffer[0]	Buffer [1]	Byte[0]
...	...	
Buffer[30]	Buffer[31]	
Buffer[0]	Buffer [1]	Byte[1]
...	...	
Buffer[30]	Buffer[31]	
...	...	...
Buffer[0]	Buffer[1]	Byte [size - 1]
...	...	
Buffer[30]	Buffer[31]	

**Figure 60 - 32 SDRAM Silence Buffers**

#### 2.9.4 Voice/Silence Timer

When a PCM or ADPCM CPS-Packet is composed entirely of silent bytes, then it is tagged as being a silent CPS-Packet. It is then sent off to the CPS-Packet Final Assembly Structure to be treated. A silent CPS-Packet will not necessarily be discarded: the Final Assembly Structure contains 2 fields, the **Voice to Silence Timer** and the **Silence to Voice Timer**, which indicate how long a channel must be silent before it starts being suppressed, and how long a channel must be active before it starts being transmitted again. Usually, the **Silence to Voice Timer** is close to 0, so that voice is never cut off at the beginning of a talk spurt. However, the **Voice to Silence Timer** can be much longer, because it is not as important to start suppressing silence as soon as voice trails off: leaving a certain silent time makes the transition to silence suppression much smoother. Note that both Timers are defined in CPS-Packets, which is the most precision possible in this application.

To improve the Silence to Voice transition, another field called the **TX Delay** adds a constant delay of 0 to 4 CPS-Packets to the transmission: in other words, when the system must transmit a new CPS-Packet, it will transmit the one from 2 CPS-Packets ago. Thus, by using a **Silence to Voice Timer** of 2 CPS-Packets and a **TX Delay** of 2 CPS-Packets, the Silence to Voice transition will have zero loss, while ensuring that small spikes of noise do not cause the system to believe that continuous voice is being transmitted.

**PCM/ADPCM CPS-Packet Assembly Structure  
(in Complex Silence Suppression Mode, dc calculation state)**

	b15	b14	b13	b12	b11	b10	b9	b8	b7	b6	b5	b4	b3	b2	b1	b0
+0											Sub Phase		Phase			
+2				<i>Local DC Offset[20:8]</i>												
+4				<i>Remot DC Offset[20:8]</i>												
+6	<i>Local DC Off.[7:0]</i>							<i>Rem. DC Off.[7:0]</i>								
+8	# EDU		Comp		1	0	<i>Partial Byte Storage[7:1]</i>					0				

**PCM/ADPCM CPS-Packet Assembly Structure**

**(in Complex Silence Suppression Mode, transition state)**

	b15	b14	b13	b12	b11	b10	b9	b8	b7	b6	b5	b4	b3	b2	b1	b0
+0											Sub Phase		Phase			
+2																
+4																
+6																
+8	# EDU		Comp		0	1	<i>Partial Byte Storage[7:1]</i>					0				

**PCM/ADPCM CPS-Packet Assembly Structure  
(in Complex Silence Suppression Mode, suppression state)**

	b15	b14	b13	b12	b11	b10	b9	b8	b7	b6	b5	b4	b3	b2	b1	b0
+0											Sub Phase		Phase			
+2				<i>Local Energy Mantissa[7:0]</i>							<i>Local E. Exp[4:0]</i>					
+4				<i>Remote Energy Mantissa[7:0]</i>							<i>Remote E. Exp[4:0]</i>					
+6	<i>Local DC Correc.[7:0]</i>							<i>Rem. DC Correc.[7:0]</i>								
+8	# EDU		Comp		1	1	<i>Partial Byte Storage[7:1]</i>					0				

Fields in *Italic* are used by Hardware only.

Fields in Plain are written to by the CPU/Software.

Reserved

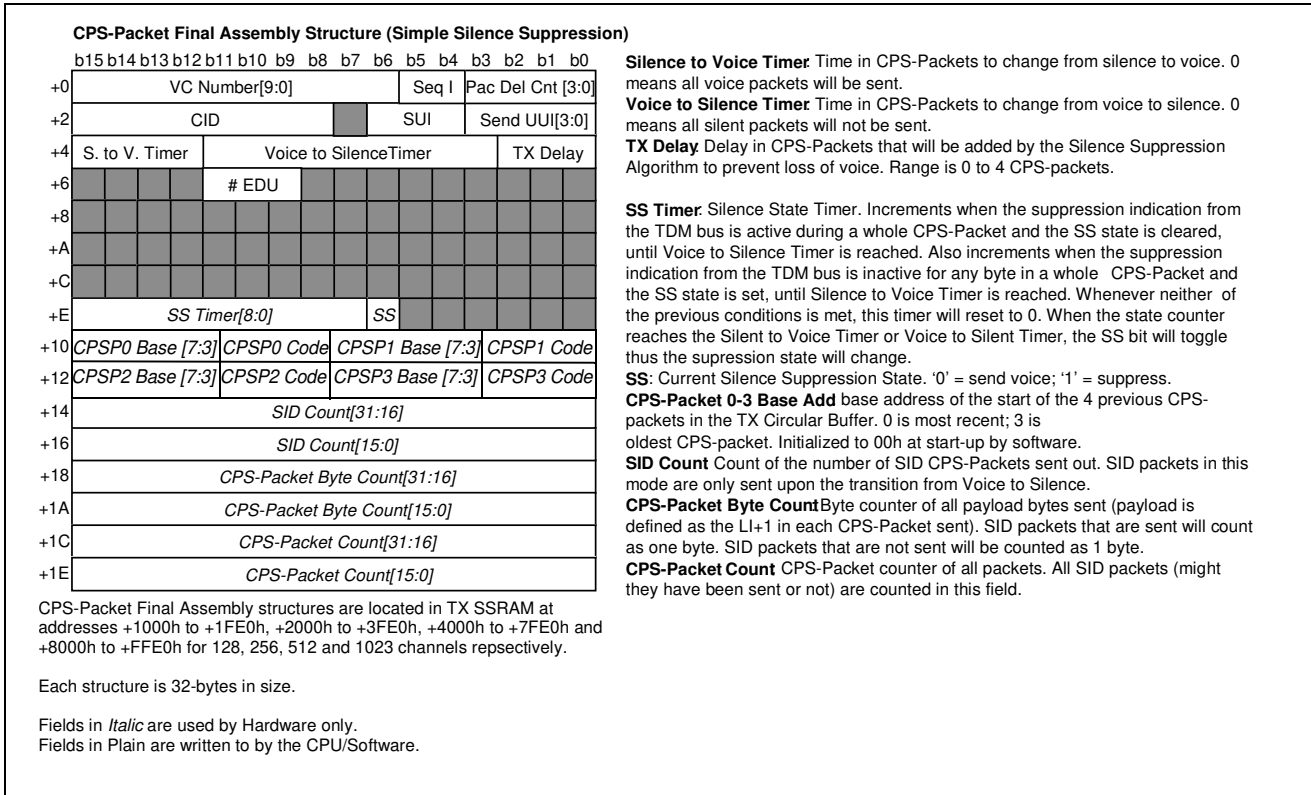
"00" state (addr+8[b9:b8]) is for simple silence suppression or no silence suppression. Structure shown in TDM Transmission section.

**LocalDC Offset / Remote DC Offset:** Sum of all linear values of the PCM bytes received on the Local and Remote PCM channels (21-bits Twos-complement). This sum is sticky and will stay at -1048576 or 1048575 in case of overflow.

**Local DC Correction / Remote DC Correction:** 8 bit twos-complement value used to remove DC offset to the Linear values before being used to calculate the energy of the Local and Remote signals.

**Local / Remote Energy Mantissa / Exponent :** Field used by hardware to calculate the energy sum over a single packet. Exponent is defined as follows: "00001" = 1.0 to 1.99; "00010" = 2.0 to 4.98; etc. The highest bit of mantissa is always '1'. The units of this value is the square of the linearised PCM values inputs (-2047 to +2047).

**Figure 61 - Silent Suppression PCM/ADPCM CPS-Packet Assembly Structures**



**Figure 62 - CPS-Packet Final Assembly Structure (Simple Silence Suppression)**

**CPS-Packet Final Assembly Structure (Complex Silence Suppression)**

	b15	b14	b13	b12	b11	b10	b9	b8	b7	b6	b5	b4	b3	b2	b1	b0	
+0	VC Number[9:0]									Seq I	Pack Del Cnt[3:0]						
+2	CID								SUI			Send UUI[3:0]					
+4	S. to V. Timer			Voice to SilenceTimer								TX Delay					
+6	Recent Period			# of EDU			Table Offset[20:12]										
+8	Local Energy Correction					Remote Energy Correction											
+A	<i>Max Local Energy(dBm0)</i>						<i>Max Remote Energy(dBm0)</i>										
+C	<i>Silent Padding Energy(dBm0)</i>						<i>Recent Maximum Local Energy</i>										
+E	SS Timer[8:0]								SS	GS	SIS	Recent CPSP Cnt					
+10	<i>CPSP0 Base Add[7:3]</i>			<i>CPSP0 Code</i>		<i>CPSP1 Base Add[7:3]</i>			<i>CPSP1 Code</i>								
+12	<i>CPSP2 Base Add[7:3]</i>			<i>CPSP2 Code</i>		<i>CPSP3 Base Add[7:3]</i>			<i>CPSP3 Code</i>								
+14	SID Count[31:16]																
+16	SID Count[15:0]																
+18	CPS-Packet Byte Count[31:16]																
+1A	CPS-Packet Byte Count[15:0]																
+1C	CPS-Packet Count[31:16]																
+1E	CPS-Packet Count[15:0]																

Reserved

Fields in *Italic* are used by Hardware only.  
Fields in Plain are written to by the CPU/Software.

CPS-Packet Final Assembly structures are located in TX SSRAM at addresses +1000h to +1FE0h, +2000h to +3FE0h, +4000h to +7FE0h and +8000h to +FFE0h for 128, 256, 512 and 1023 channels respectively. Each structure is 32 bytes in size.

**CPSPx Code:** "000" = PCM; "001" = ADPCM40; "010" = ADPCM32; "011" = ADPCM24; "100" = ADPCM16; "101" = PCM byte misaligned EDU; others = reserved.

**Recent Period** Number of CPS-Packets on which the maximum recent energy will be calculated. 0 means SID energy is re-calculated on each CPS-Packet. 15 means that the SID energy is recalculated every 16 packets.

**Table Offset[20:12]** Absolute position of the Silence Suppression State Table in the TX SSRAM to be used with this channel.

**Local Energy Correction / Remote Energy Correction** Signed two's complement offset added to the Local/Remote Energies before indexing into the Table. This value is in dB. A value of 1 means a signal of -10 dB will be interpreted as -11 dB. Minimum value is -78 dB, Maximum value is 49 dB.

**Max Local / Remote Energy** Maximum Local / Remote Energy Monitored by hardware of a single CPS-Packet. 0 means 0 dBm0. 78 means -78 dBm0. Can be cleared by software to monitor over short periods.

**Recent CPSP Cnt, Silent Padding Energy & Recent Maximum Local Energy** Counter used to know when a new SID energy value has been obtained. This counter will increment until it matches the Recent Period field. Then it will be cleared. The CPS-Packet sent when this field is read and matches the Recent Period will be included in the Recent **Maximum Local Energy calculation**. Upon reading a Recent CPSP Cnt at 0, the field Recent Maximum Local Energy will be ignored (assumed to be -78 dB). The Silent Padding Energy will be set to the Maximum Local Energy upon terminal count when the resulting SS state is voice. When resulting SS state is silence, this operation is only performed when it will augment the value of the Silent Padding Energy (i.e. make the Silent Padding Energy more quiet). In this case, a SID CPS-Packet will be sent. When the first SID is sent, the Energy in the SID is the same as the one written back in the Silent Padding Energy.

**GS:** Graph State. '0' = No voice suppression; '1' = Suppress voice.

**SS Timer.** Silence State Timer. Increments when the Graph state and the SS bit are not equal, until Voice to Silence Timer or Silence to Voice timer are reached. Whenever the previous condition is not met, this timer will reset to 0. When the state counter reaches the Silent to Voice Timer or Voice to Silent Timer, the SS bit will toggle thus the suppression state will change.

**SIS** Sid In Storage. When '1', indicates that a SID packet would have been generated last time had the phase allowed it. This means a SID packet will be generated this time if the channel is deemed to remain silent.

**Figure 63 - CPS-Packet Final Assembly Structure (Complex Silence Suppression)**

## 2.10 HDLC

### 2.10.1 HDLC Overview

HDLC data format accommodates data that needs a larger bandwidth than PCM. Any number from 1 to 128 consecutive time slots on a single H.100/H.110 stream can carry data as one HDLC stream thus allowing a higher data transfer rate. Note that an HDLC stream must be contained within one frame and TX and RX HDLC streams carrying the same channel do not have to be of the same length.

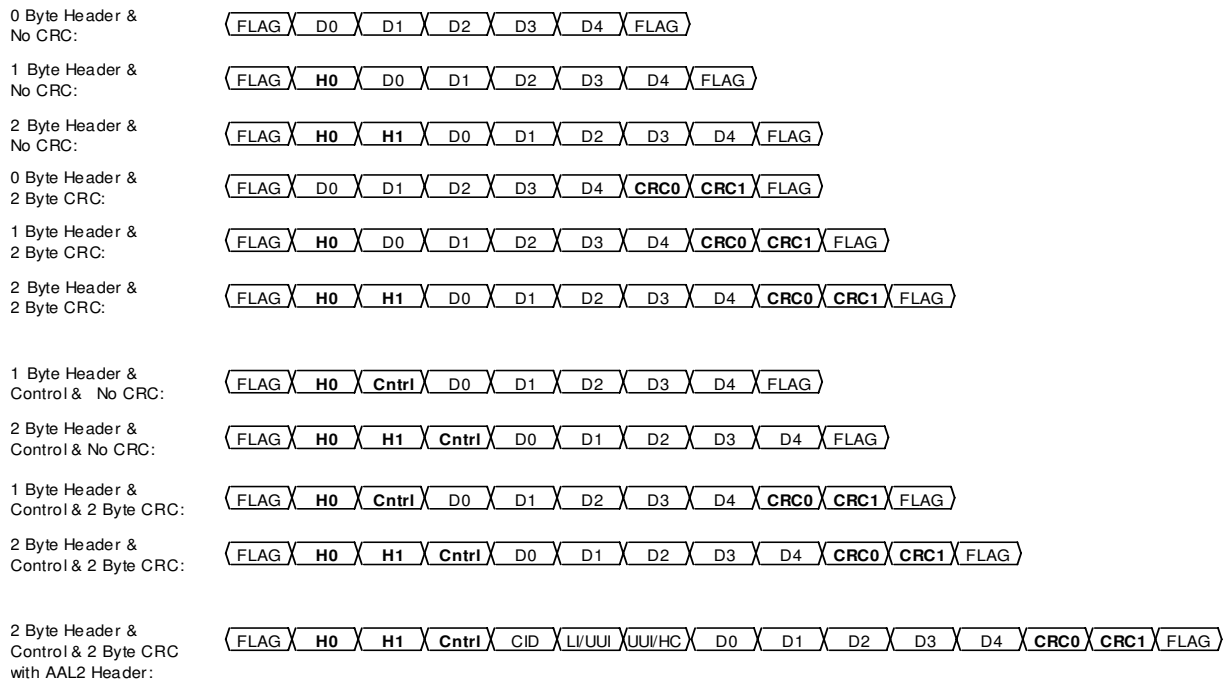
### 2.10.2 HDLC Format

The MT90502 can accept or generate an HDLC header that contains 0, 1, or 2 address bytes, as well as a possible control byte that follows the flag. There is also an optional 16-bit CRC that may be added at the end of the packet. The different formats are illustrated in Figure 64 on page 102. The formats are specified for each stream using the “Header Type” and “CRC” fields in the HDLC CPS-Packet Assembly Structure (see Figure 13 on page 40 and Figure 14 on page 41). When using HDLC streams, the low byte of the address is used to select the channel number. All address bytes that are not used to indicate a channel number are discarded by the TX TDM module. The payload gamut of an HDLC CPS-Packet is 1 to 64-bytes.

Data is accumulated until a flag is received signifying the end of an HDLC packet. The payload will be processed according to the HDLC type. The MT90502 supports 2 types of HDLC data over the TDM bus: bit-wide form and byte-wide form (registers 400h and 500h).

Table 33, “HDLC Packet Formats and Header Types,” on page 103 shows the supported HDLC package formats with corresponding header types as shown in Figure 13. The CRC selection is also made according to Figure 13. Using packaing\_type (500h bit-3) enables “Raw” AAL2 CPS-Packets to be sent, as described in Section 2.2.3.4. If there are not multiple HDLC channels in a HDLC stream then SCS will not be used and the address bytes will be discarded. If SCS is used then the address bytes will be used along with the HDLC stream number to calculate the HDLC channel number.

**Supported HDLC Packet Format (after zero extraction)**



Note 1: In all examples a 5-byte payload was used. Any payload from 1-to 64-bytes could have been used.  
 Note 2: CRC-16 Polynomial:  $x^{16}+x^{12}+x^5+1$ . At reset, the initial value of CRC is FFFFh and CRC is X0Redwith FOB8h before being sent.  
 Note 3: the CID/LI/UII/HEC AAL2 header byte triplet can be used in conjunction with all HDLC encapsulation formats from no HDLC header/no HDLC CRC to the full 3-byte of HDLC header and 2-bytes of CRC.

**Figure 64 - Supported HDLC Formats**

Packet Format	Header Type	CRC	SCS	500h [3]	Address Data
0-Byte Header & No CRC	0000	0	No	0	-
1-Byte Header & No CRC	0001	0	No	0	Discarded
2-Byte Header & No CRC	0010	0	No	0	Discarded
0-Byte Header & 2-Byte CRC	0000	1	No	0	-
1-Byte Header & 2-Byte CRC	0001	1	No	0	Discarded
2-Byte Header & 2-Byte CRC	0010	1	No	0	Discarded
1-Byte Header & Control & No CRC	0011	0	No	0	Discarded
2-Byte Header & Control & No CRC	0100	0	No	0	Discarded
1-Byte Header & Control & 2-Byte CRC	0011	1	No	0	Discarded
2-Byte Header & Control & 2-Byte CRC	0100	1	No	0	Discarded
1-Byte Header & No CRC	0101	0	Yes	0	Used
2-Byte Header & No CRC	0110	0	Yes	0	Used
1-Byte Header & 2-Byte CRC	0101	1	Yes	0	Used
2-Byte Header & 2-Byte CRC	0110	1	Yes	0	Used
1-Byte Header & Control & No CRC	0111	0	Yes	0	Used
2-Byte Header & Control & No CRC	1000	0	Yes	0	Used
1-Byte Header & Control & 2-Byte CRC	0111	1	Yes	0	Used
2-Byte Header & Control & 2-Byte CRC	1000	1	Yes	0	Used
0-Byte Header & No CRC with AAL2 header	0000	0	No	1	-
1-Byte Header & No CRC with AAL2 header	0001	0	No	1	Discarded
2-Byte Header & No CRC with AAL2 header	0010	0	No	1	Discarded
0-Byte Header & 2-Byte CRC with AAL2 header	0000	1	No	1	-
1-Byte Header & 2-Byte CRC with AAL2 header	0001	1	No	1	Discarded
2-Byte Header & 2-Byte CRC with AAL2 header	0010	1	No	1	Discarded
1-Byte Header & Control & No CRC with AAL2 header	0011	0	No	1	Discarded
2-Byte Header & Control & No CRC with AAL2 header	0100	0	No	1	Discarded
1-Byte Header & Control & 2-Byte CRC with AAL2 header	0011	1	No	1	Discarded
2-Byte Header & Control & 2-Byte CRC	0100	1	No	1	Discarded
1-Byte Header & No CRC with AAL2 header	0101	0	Yes	1	Used
2-Byte Header & No CRC with AAL2 header	0110	0	Yes	1	Used
1-Byte Header & 2-Byte CRC with AAL2 header	0101	1	Yes	1	Used
2-Byte Header & 2-Byte CRC with AAL2 header	0110	1	Yes	1	Used
1-Byte Header & Control & No CRC with AAL2 header	0111	0	Yes	1	Used
2-Byte Header & Control & No CRC with AAL2 header	1000	0	Yes	1	Used
1-Byte Header & Control & 2-Byte CRC with AAL2 header	0111	1	Yes	1	Used
2-Byte Header & Control & 2-Byte CRC with AAL2 header	1000	1	Yes	1	Used

Table 33 - HDLC Packet Formats and Header Types

### 2.10.3 HDLC Bit-Wise Format

Bit-wise means that every bit of HDLC data coming from the H.100/H.110 bus is examined. A control flag of 7Eh ("01111110") is used to signify the start and end of a packet. When using this form of HDLC, each HDLC packet must begin with a flag and end with a flag, although a single flag may represent both the end of a packet and the beginning of another. A '0' is inserted after every 5 '1's of incoming data (called zero insertion) to differentiate the control flag and data. If neither flags nor data are being transmitted onto the bus, the idle code is transmitted. The idle code is an endless string of '1's. Note that a valid idle code must be at least 7-bits long (7 '1's).

### 2.10.4 HDLC Byte-Wise Format

Byte-wise HDLC format also employs "01111110" (7Eh) as a control flag. A 7Eh payload value is replaced by two bytes - 7Dh and 5Eh, while a 7Dh payload value is replaced by two bytes - 7Dh and 5Dh. A single flag may represent both the end of a packet and the beginning of another. This flag is put into the TX circular buffer with the data. When no data is being transmitted onto the bus, the flag character is sent repeatedly until data is transmitted again.

## 2.11 Memory

### 2.11.1 Memory Map

The location of the absolute starting and ending addresses of the internal and external memories are shown in Table 34. The complete set of internal registers is listed in Section 3.0, "Register List," on page 114. The beginning and ending addresses of the various structure spaces in SSRAM and SDRAM are listed in Section 2.11.2, "Memory Structures," on page 105.

Start Address	End Address	Name
0100h	01FEh	cpureg
0200h	02FEh	mainreg
0300h	03FEh	txreg
0400h	04FEh	rxreg
0500h	05FEh	txtdmreg
0600h	06FEh	utoreg
0700h	07FEh	h100reg
0800h	08FEh	miscreg
0900h	09FEh	rxtmreg
1000h	11FEh	PCM Law Table
1300h	13FEh	Tone Data Buffer Memory
1400h	15FEh	SID Byte to Silence Buffer Memory
2000h	20FEh	TX SAR Input FIFO
2100h	21FEh	AAL0 Input FIFO
2200h	22FEh	UTOPIA Port A Input FIFO
2300h	23FEh	UTOPIA Port B Input FIFO
2400h	24FEh	UTOPIA Port C Input FIFO

**Table 34 - MT90502 Memory Map**



Start Address	End Address	Name
2600h	26FEh	Tone Buffer Control Memory
2800h	2BFEh	UTOPIA Port A Output FIFO
2C00h	2FFEh	UTOPIA Port B Output FIFO
3000h	3FFEh	RX SAR Output FIFO
4000h	5FFEh	TX Channel Association Memory
6000h	7FFEh	RX Channel Association Memory
8000h	BFFEh	TX TDM Control Memory
C000h	FFFEh	RX TDM Control Memory
10000h	103FEh	UTOPIA Port C Output FIFO
400000h	4FFFFFFh	SSRAM bank A
600000h	7FFFFFFh	SSRAM bank B
2000000h	2FFFFFFh	SDRAM bank A
3000000h	3FFFFFFh	SDRAM bank B

**Table 34 - MT90502 Memory Map (continued)**

### 2.11.2 Memory Structures

There are two types of memory structures in the MT90502: fixed structures and variable structures. Fixed structures are of a defined size and base address, and are mapped according to the **sar\_capacity** register field (register 240h), which determines the total channel capacity of the MT90502. The one exception is the RX Circular Buffers, whose size is determined by the **rx\_circular\_buffer\_size** field (register 240h). The size of variable structures can be configured individually in registers.

When two memory banks exist, TX memory employs memory controller A and memory interface pins A, while RX memory uses memory controller B and memory interface pins B. When one memory bank exists, only memory controller A and memory interface pins A are used.

TX SSRAM fixed structures are (with sizes in bytes for 128, 256, 512, and 1023 channels)

- AAL2 VC structures (4 K, 8 K, 16 K, 32 K)
- CPS-Packet Final Assembly structures (4 K, 8 K, 16 K, 32 K)
- Cell Assembly Event Queue (512, 1 K, 2 K, 4 K)
- CPS-Packet Circular Buffers (32 K, 64 K, 128 K, 256 K)

TX SSRAM variable structures are

- Clock Recovery Point Buffers (2 buffers the same size, either 4 K, 8 K, 16 K, 32 K, 64 K, or 128 KB each)
- SSRAM Silence Buffers (up to 64, each pair can have a length of 0 to 64 KB per buffer)
- Silent Suppression Look-up Tables

---

RX SSRAM fixed structures are (with sizes in bytes for 128, 256, 512, and 1023 channels)

- AAL2 VC structures (16 K, 32 K, 64 K, 128 K)
- CPS-Packet Descriptor Queue (8 K, 16 K, 32 K, 64 K)
- CPS-Packet Disassembly structures (4 K, 8 K, 16 K, 32 K)
- CPS-Packet Descriptor Queue Pointers (512, 1 K, 2 K, 4 K)
- CPS-Packet Circular Buffers (1 for each channel, all the same size 256, 512, or 1 K bytes).

RX SSRAM variable structures are

- Data (AALO) cell FIFO (one FIFO: 4 K, 8 K, 16 K, 32 K, 64 K, or 128 K bytes)
- Error Report structure FIFO (one FIFO: 4 K, 8 K, 16 K, 32 K, 64 K, or 128 K bytes)
- CPU CPS-Packet buffer (one buffer: 16 K, 32 K, 64 K, or 128 K bytes)

TX SDRAM fixed structures are (with sizes in bytes for 128, 256, 512, and 1023 channels)

- CPS-Packet Descriptor Queue (512 K, 1 M, 2 M, 4 M)

TX SDRAM variable structures are

- Look-Up Tables<sup>1</sup> (3 tables, each can have a size of 1 M, 2 M, 4 M, or 8 MB)
- SDRAM Silent Buffers (32 buffers the same size, either 0, 16 K, 32 K, or 64 K bytes each)

RX SDRAM fixed structures are (with sizes in bytes for 128, 256, 512, and 1023 channels)

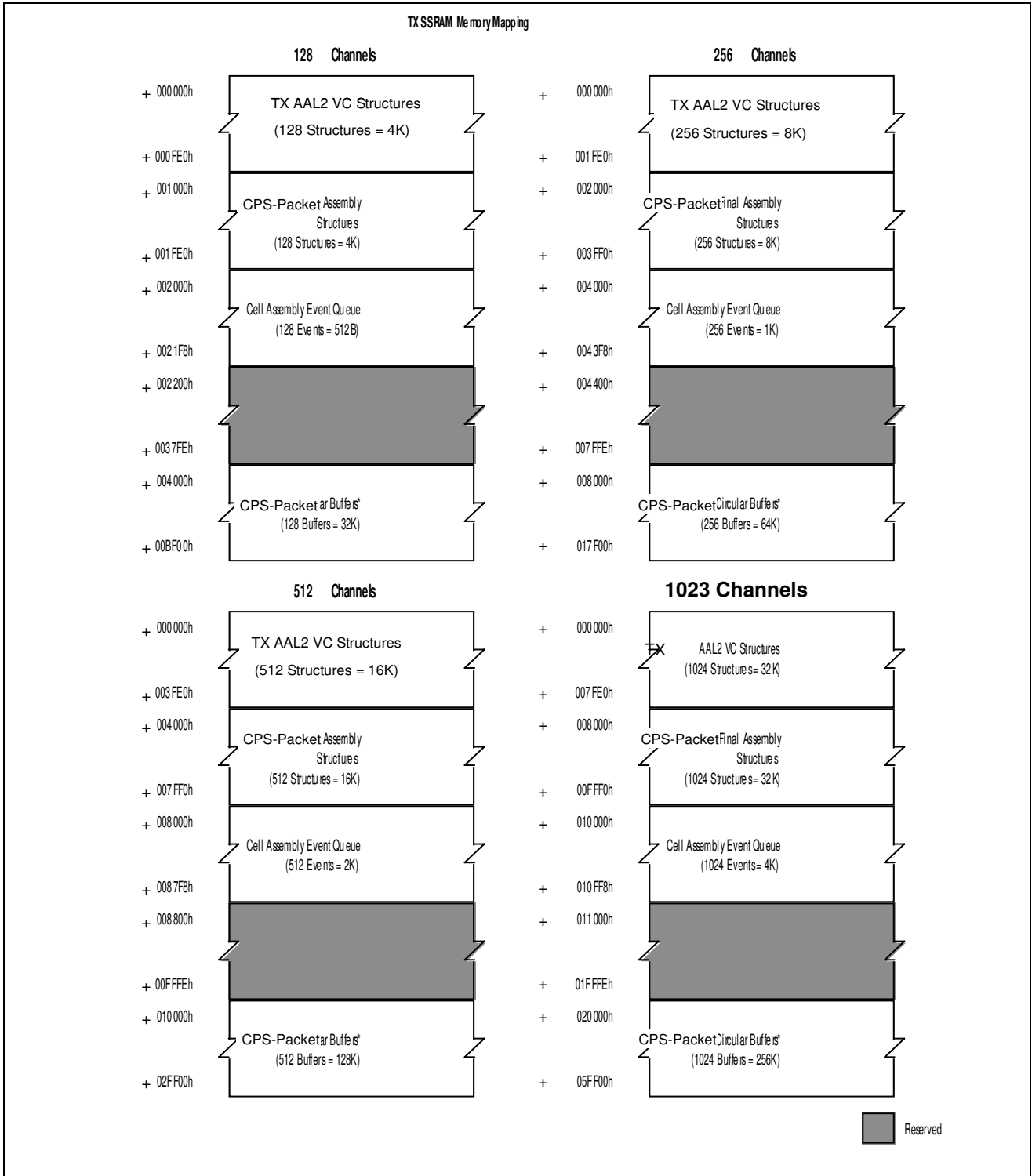
- RX CID table (1 K, 2 K, 4 K, 8 K)

There are no variable RX SDRAM structures.

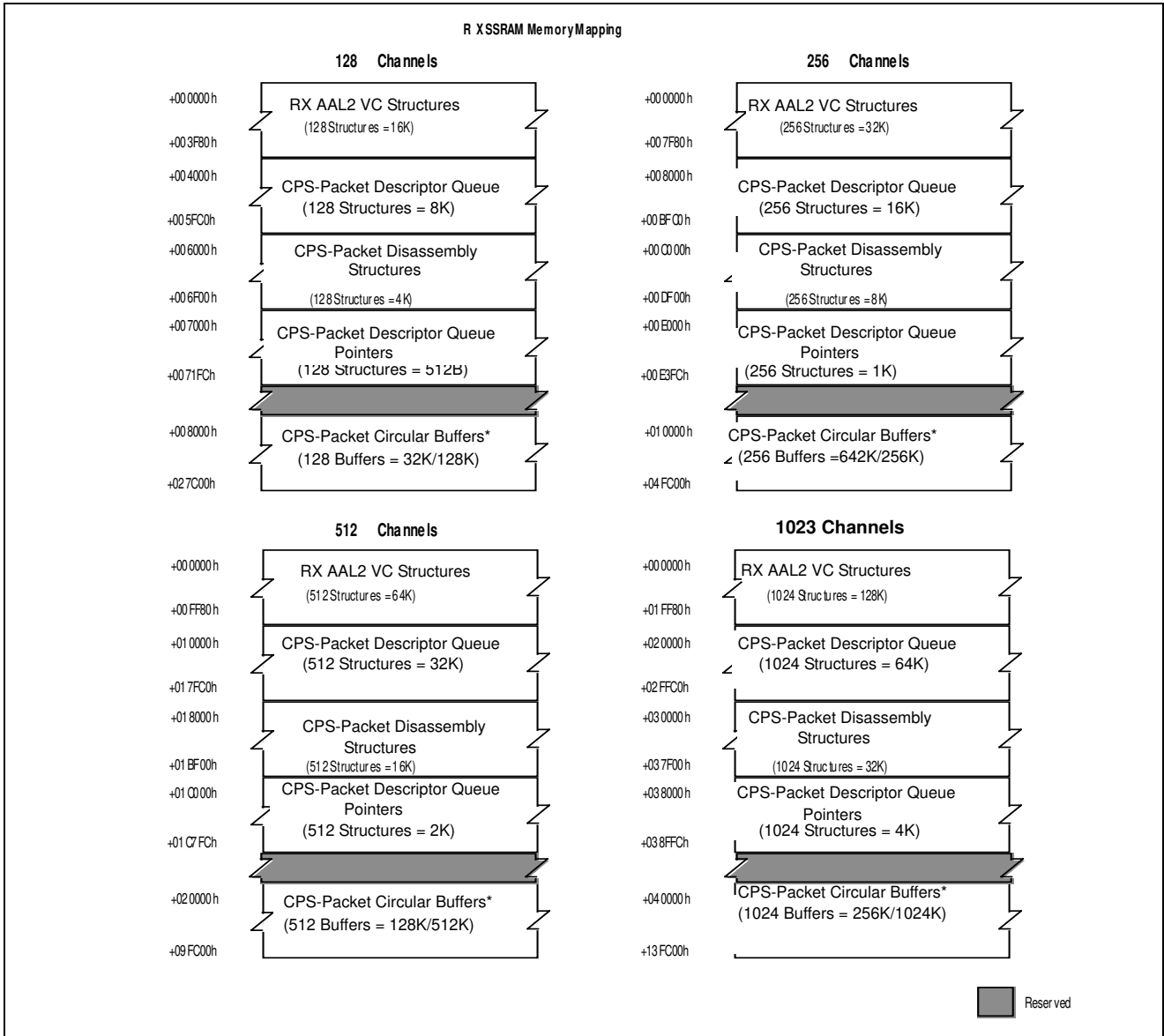
---

1. All three LUTs can have the same base address. The sizes and base addresses of the LUTs are determined in registers 620h, 640h, and 660h.

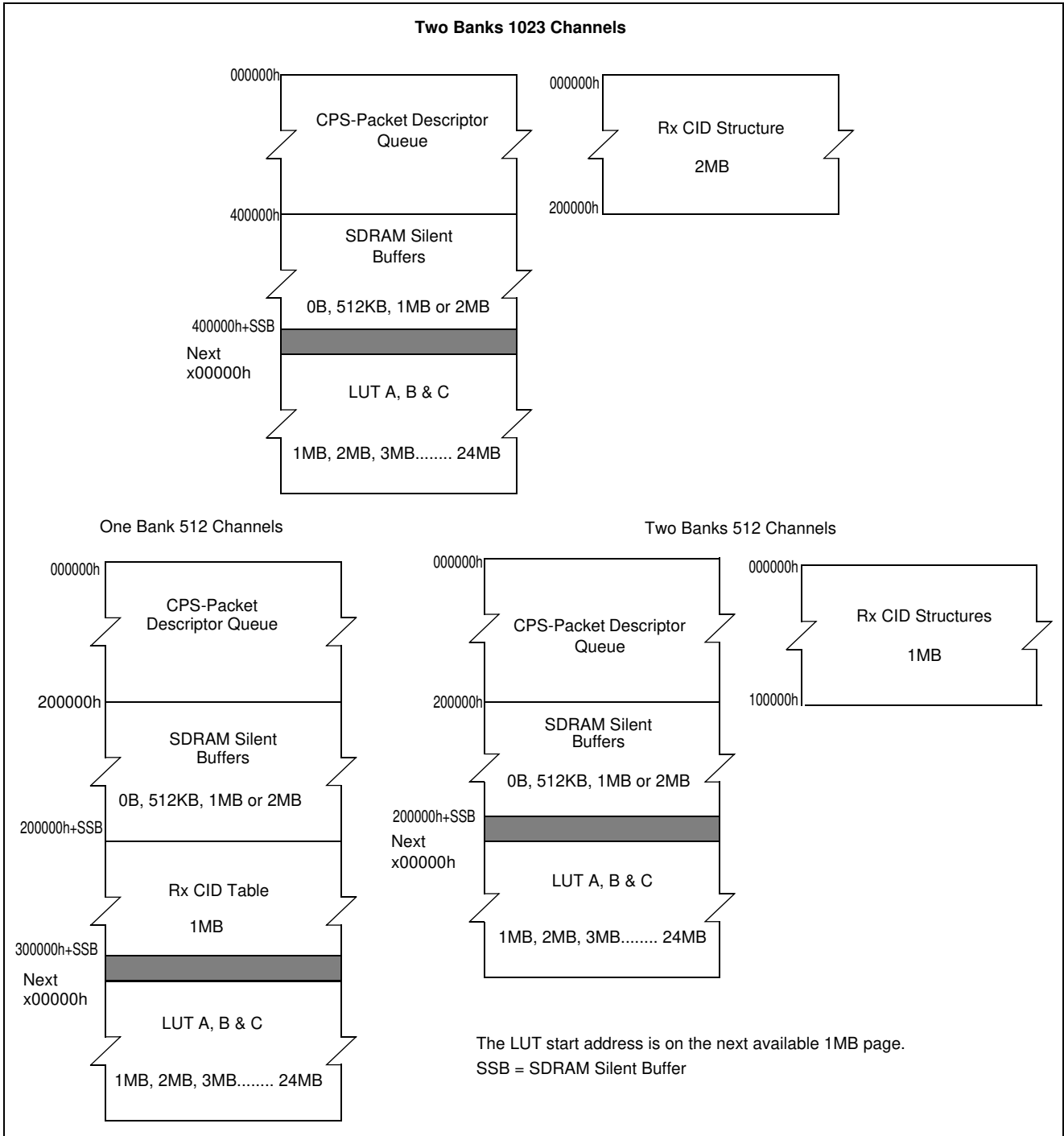
---



**Figure 65 - TX SSRAM Memory Mapping for Fixed Structures**



**Figure 66 - RX SSRAM Memory Mapping for Fixed Structures**



**Figure 67 - SDRAM Memory Map for 512 & 1023 Channels**

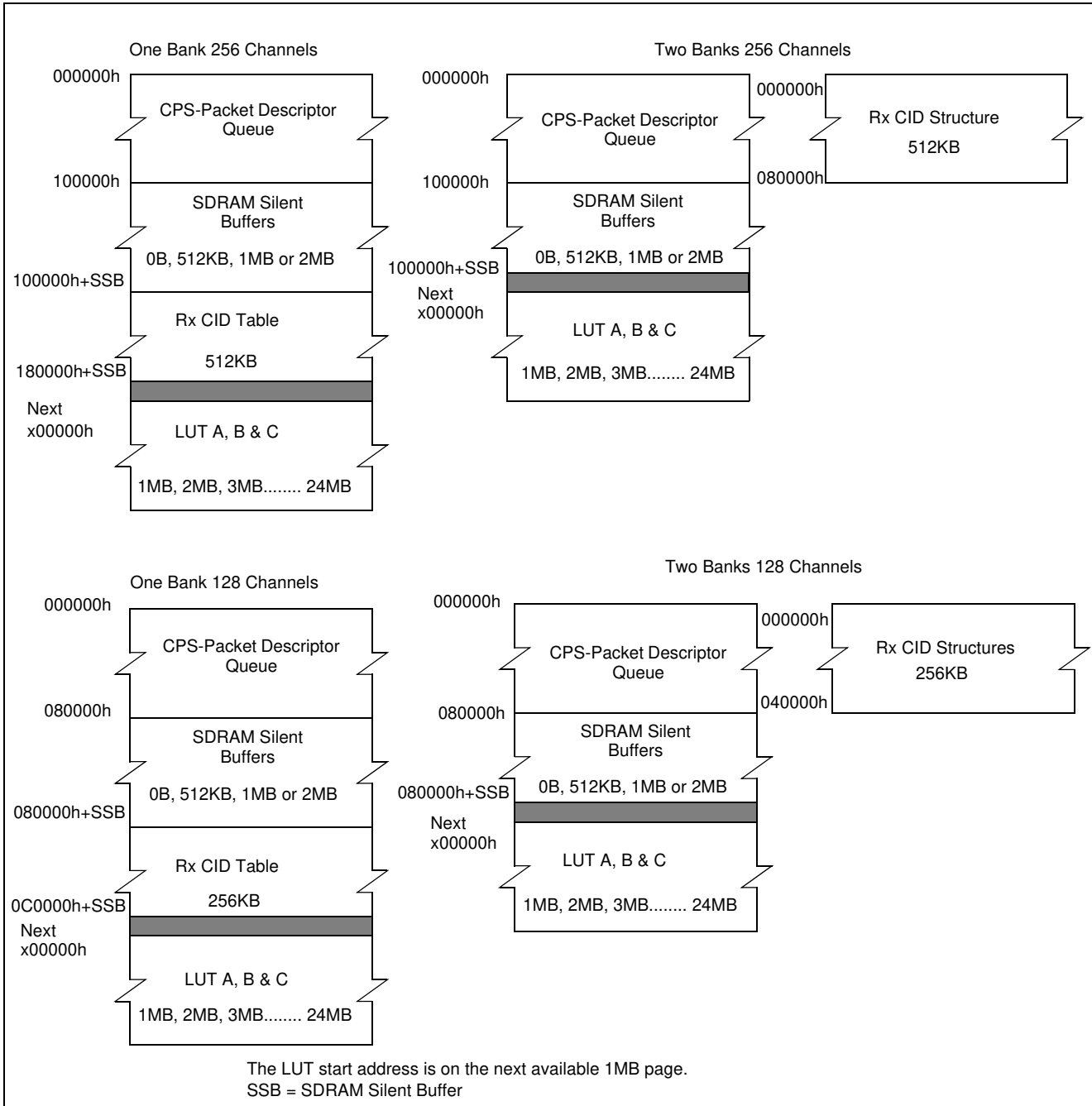


Figure 68 - SDRAM Memory Map for 128 and 256 Channels

### 2.11.3 Mem\_Clk and Upclk

The memory clock is supplied to the MT90502 by an external source. The memories are connected to an external clock source which also must be coupled to the MT90502's mem\_clk pin. A frequency of 60 MHz for mem\_clk is recommended. Frequencies above 60 MHz will not increase performance, but will increase power consumption. At lower clock frequencies, the MT90502 may not be able to operate at its full SAR capacity.

Upclk is used by CPU interface circuit. Its frequency should not be less than half of mem\_clk. There is no relationship between upclk to mem\_clk.

## 2.11.4 Memory Controller

### 2.11.4.1 Overview

The MT90502 uses up to 4 external SSRAM chips and 2 external SDRAM chips on 2 banks for its memory requirements. SSRAM chips can be 128 KByte, 256 KByte, 512 KByte or 1 MByte in size. The size of SDRAM chips is either 4Mx16 or 8Mx16. The address and data pins of the memories are shared on either bank (e.g., SDRAM A and SSRAM A share their pins). For applications of 512 channels or less, it is possible to use bank A only. Both banks must be used if `sar_capacity` is set to 1023.

If only 1 bank is employed, TX SSRAM starts from the beginning of bank A, which is 400000h. RX SSRAM starts from `rx_base_address` programmed in register 242h. If using two banks, however, bank A is always TX SSRAM and bank B is RX SSRAM.

A memory controller is used to multiplex the accesses required of these memories. This dual memory controller grants the memory bus to the various agents within the chip in order of urgency, using a priority algorithm, and transforms the memory accesses into the correct pin signals.

### 2.11.4.2 Functionality

The memory controller is responsible for generating even parity on the parity pins of the memories and detecting that the parity is correctly received when reading data from the memory. The MT90502 calculates even parity on all address bits and data bits used to generate each access. When reading from the memory, it performs the same calculation in the opposite direction. Parity errors are reported to register 202h. To render parity generation and detection, configurable masks can be employed to calculate parity on certain bits (registers 230h, 232h and 234h).

Parity is calculated on all locations in memory except for the RX circular buffers, in which the parity bits are used for underrun information. It is possible to override this and use parity on these circular buffers through control bits in register 230h.

The controller ensures that the SDRAMs are refreshed often enough to avoid corrupt data. A limit (register 254h) exists for how many refresh periods behind the SDRAM can be before a status error is generated. SDRAM is configurable in registers 250h-25Ah.

## 2.11.5 Initializing SSRAM and SDRAM

The SSRAM parity generation and checking can be configured by programming registers 230h `mem_parity0`, 232h `mem_parity1` and 234h `mem_parity2`. The SSRAM sizes can be configured by programming registers 240h `mem_conf0` and 242h `mem_conf1` (not programmed if using bank B for RX).

The SDRAM can be configured by a series of register writes. Pre-charge all the SDRAM banks, program the mode, perform a CBR refresh (twice), enable the SDRAM and then set the SDRAM for normal operation.

## 2.11.6 Memory Configuration

SSRAM memory chips must be ZBT (zero-bus turnaround) and must be pipelined. SDRAM memory chip must have A12-A13 as bank select pins, A0-A11 as row address and A0-A7/A8 as column address.

Typical application circuits for Bank A SSRAM and Bank A SDRAM are shown in Figure 69 on page 112 and Figure 70 on page 113.

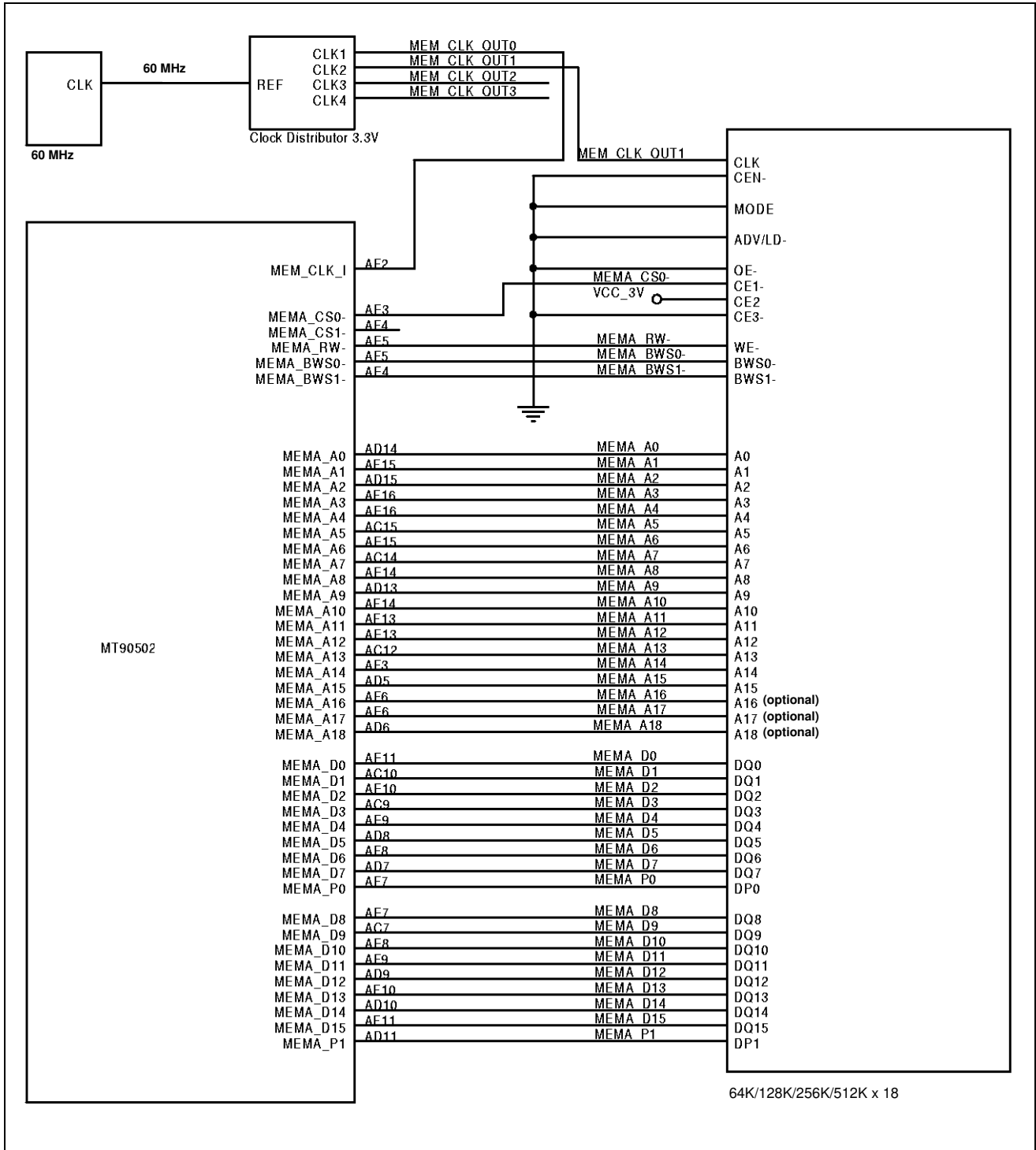


Figure 69 - Typical SSRAM Application Circuit



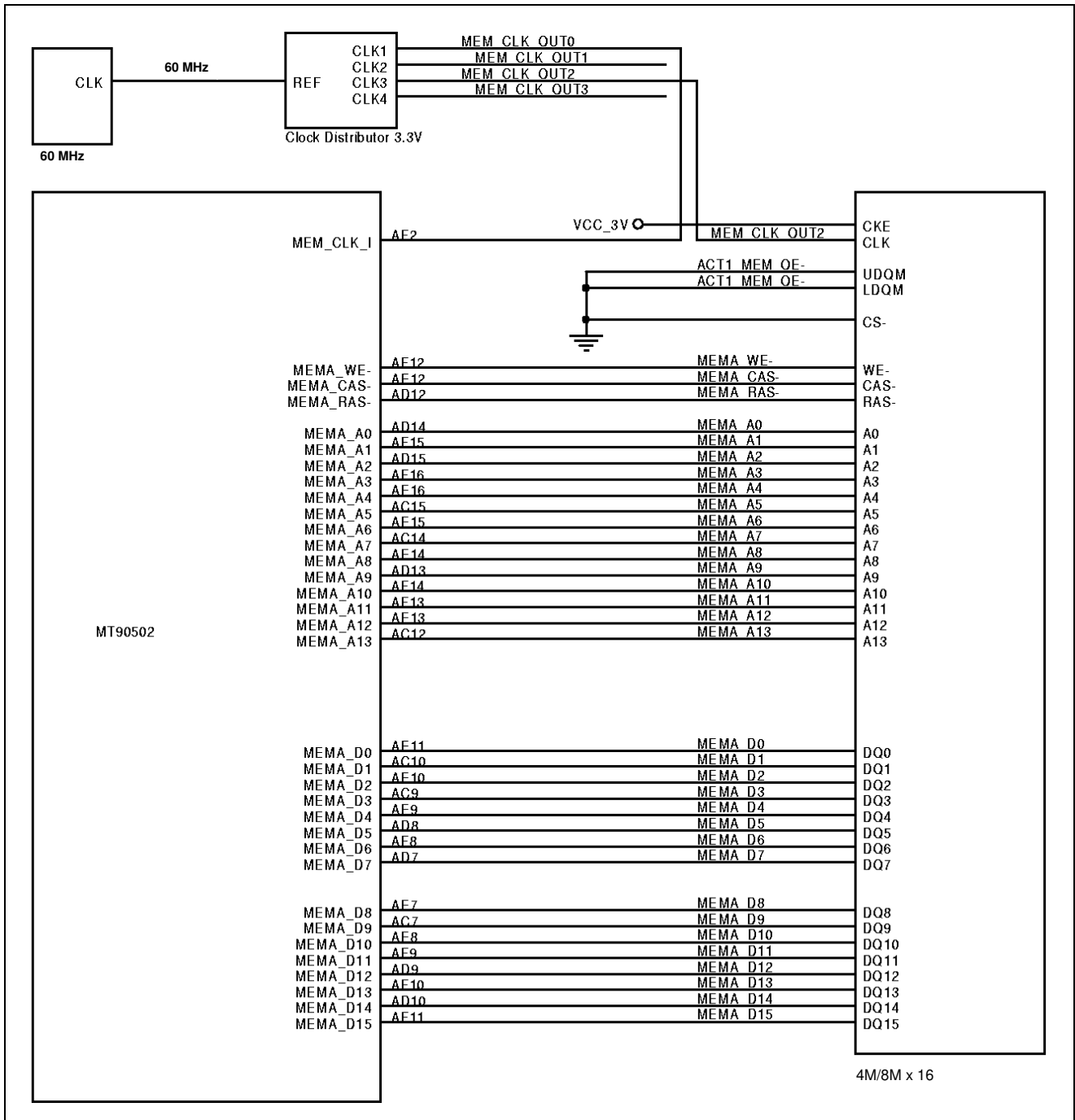


Figure 70 - Typical SDRAM Application Circuit

### 3.0 Register List

#### 3.1 CPU Register

Address: 100h Label: control Reset Value: 0000			
Label	Bit Position	Type	Description
sreset	0	RW	Active low software reset. Resets the whole chip except the CPU interface. Once low, all registers will be cleared except for CPU registers and Main Registers.
low_latency_cpu_accesses	1	RW	When '1', no caching will be done in the CPU Interface, thus guaranteeing a higher average access time, but a lower worst case access time.
reserved	14:2	RW	Reserved. Must always be "0000_0000_0000_0"
test_status	15	TS	Reserved. Must always be "0".

**Table 35 - CPU Control Register**

Address: 102h Label: status0 Reset Value: 0000h			
Label	Bit Position	Type	Description
reserved	2:0	ROL	Reserved. Always read as "000"
internal_read_timeout	3	ROL	Internal device time-out. Generally occurs when a clock is missing or misbehaving.
cpu_read_done	4	ROL	This bit is set when a burst of reads is completed. This bit may be used to generate an interrupt after a large read burst has completed (in indirection). For small read bursts, it is not very useful since there is not enough time for the CPU to do anything between the time it starts the read and the time that the read ends.
reserved	15:5	ROL	Reserved. Always read as "0000_0000_000"

**Table 36 - CPU Status Register**

Address: 104h Label: status0_ie Reset Value: 0000h			
Label	Bit Position	Type	Description
reserved	2:0	RO	Reserved. Always read as "000"
internal_read_timeout_ie	3	IE	When '1' and the corresponding status bit is '1' an interrupt will be generated.
cpu_read_done_ie	4	IE	When '1' and the corresponding status bit is '1' an interrupt will be generated.
reserved	15:5	RO	Reserved. Always read as "0000_0000_000"

Table 37 - CPU Interrupt Enable Register

Address: 108h Label: mem_clk_freq Reset Value: 0000h			
Label	Bit Position	Type	Description
reserved	3:0	RO	Reserved
mem_clk_freq_integer	10:4	RW	Frequency of mem_clk in MHz.
reserved	15:11	RW	Reserved. Must always be "0000"

Table 38 - Mem\_clk Frequency Control Register

Address: 10Ah Label: upclk_freq Reset Value: 0000h			
Label	Bit Position	Type	Description
reserved	3:0	RO	Reserved
upclk_freq_integer	10:4	RW	Frequency of upclk in MHz.
reserved	15:11	RW	Reserved. Must always be "0000"

Table 39 - Upclk Frequency Control Register

Address: 10Ch Label: led0 Reset Value: 007Fh			
Label	Bit Position	Type	Description
led_flash_freq[8:0]	8:0	RW	Determines the time in ms that the LEDs will be turned off to indicate link activity.
led_test_mode	9	RW	If '0', the LED Flashing time will be determined in ms. If '1', the LED Flashing time will be determined in us.
reserved	15:10	RW	Reserved. Must always be "0000_00"

Table 40 - LED Timing Control Register

Address: 16Ch Label: fastclk_pll_conf0 Reset Value: 0642h			
Label	Bit Position	Type	Description
reserved	0	WO	Reserved. Always read as "0"
pll_div_x	3:1	WO	Selects the division of the reference before being fed to the PLL. The reference is either upclk or mem_clk.
pll_div_y	6:4	WO	Selects the division of the feedback before being fed to the PLL.
pll_bypass	7	WO	When '1', mem_clk or upclk are passed directly (without being divided) to fast_clk.
pll_source	8	WO	0' = upclk is PLL source; '1' = mem_clk is PLL source.
nreset_pll_async	9	WO	Active low PLL nreset. This value resets the PLL's clock divisors.
reserved	10	WO	Reserved. Must write "1".
reserved	15:11	WO	Reserved. Always read as "0000_0"

Table 41 - Fast Clock PLL Configuration Register 0

Address: 172h Label: fastclk_pll_conf1 Reset Value: 09FCh			
Label	Bit Position	Type	Description
pll_vcodb	1:0	RW	Output frequency range selection bits = "00"
pll_pd	2	RW	'0' for normal operation. Power Down = '1'.
pll_div	7:3	RW	Divider = "11111"
pll_syncen	8	RW	Forces PLL into a clock synchronisation mode = '1'
pll_chp	13:9	RW	Charge Pump settings = "01000"
reserved	15:14	RW	Reserved. Must always be "00"

Table 42 - Fast Clock PLL Configuration Register 1

Address: 174h Label: h100pll_conf0 Reset Value: 07FEh			
Label	Bit Position	Type	Description
H100pll_vcodb	1:0	RW	Output frequency range selection bits = "10"
H100pll_pd	2	RW	'0' for normal operation. Power Down = '1'.
H100pll_div	7:3	RW	Divider = "11111"
H100pll_syncen	8	RW	Forces PLL into a clock synchronisation mode = '1'
H100pll_chp	13:9	RW	Charge Pump settings = "00011"
reserved	15:14	RW	Reserved. Must always be "00"

Table 43 - H100/H110 PLL Configuration Register 0

Address: 17Eh Label: chip_and_revision Reset Value: 0101h			
Label	Bit Position	Type	Description
chip_id[7:0]	7:0	RO	Chip ID = 01h.
rev_id[7:0]	15:8	RO	Revision ID = 01h.

Table 44 - ID Register

### 3.2 Main Registers

Address: 202h Label: status0 Reset Value: 0000h			
Label	Bit Position	Type	Description
mema_sdram_parity_error0	0	ROL	Parity error on the high byte of bank A SDRAM.
mema_sdram_parity_error1	1	ROL	Parity error on the low byte of bank A SDRAM.
memb_sdram_parity_error0	2	ROL	Parity error on the high byte of bank B SDRAM.
memb_sdram_parity_error1	3	ROL	Parity error on the low byte of bank B SDRAM.
mema_ssram_parity_error0	4	ROL	Parity error on the high byte of bank A SSRAM.
mema_ssram_parity_error1	5	ROL	Parity error on the low byte of bank A SSRAM.
memb_ssram_parity_error0	6	ROL	Parity error on the high byte of bank B SSRAM.
memb_ssram_parity_error1	7	ROL	Parity error on the low byte of bank B SSRAM.
memb_bad_cpu_access	8	ROL	Indicates that an access was attempted to bank B when the bank was not present.
sdrama_too_late	9	ROL	Indicates that bank A SDRAM cannot refresh quickly enough. Information in that memory may be corrupt.
sdramb_too_late	10	ROL	Indicates that bank B SDRAM cannot refresh quickly enough. Information in that memory may be corrupt.
reserved	15:11	ROL	Reserved. Always read as "0000_0"

**Table 45 - Main Status Register**

Address: 204h Label: status0_ie Reset Value: 0000h			
Label	Bit Position	Type	Description
mema_sdram_parity_error0_ie	0	IE	When '1' and the corresponding status bit is '1' an interrupt will be generated.
mema_sdram_parity_error1_ie	1	IE	When '1' and the corresponding status bit is '1' an interrupt will be generated.
memb_sdram_parity_error0_ie	2	IE	When '1' and the corresponding status bit is '1' an interrupt will be generated.
memb_sdram_parity_error1_ie	3	IE	When '1' and the corresponding status bit is '1' an interrupt will be generated.
mema_ssram_parity_error0_ie	4	IE	When '1' and the corresponding status bit is '1' an interrupt will be generated.
mema_ssram_parity_error1_ie	5	IE	When '1' and the corresponding status bit is '1' an interrupt will be generated.
memb_ssram_parity_error0_ie	6	IE	When '1' and the corresponding status bit is '1' an interrupt will be generated.
memb_ssram_parity_error1_ie	7	IE	When '1' and the corresponding status bit is '1' an interrupt will be generated.
memb_bad_cpu_access_ie	8	IE	When '1' and the corresponding status bit is '1' an interrupt will be generated.
sdrama_too_late_ie	9	IE	When '1' and the corresponding status bit is '1' an interrupt will be generated.
sdramb_too_late_ie	10	IE	When '1' and the corresponding status bit is '1' an interrupt will be generated.
reserved	15:11	RO	Reserved. Always read as "0000_0"

Table 46 - Main Interrupt Enable Register

Address: 210h Label: interrupt_flags Reset Value: 0000h			
Label	Bit Position	Type	Description
cpureg_interrupt_active	0	RO	Indicates that the interrupt generated by this module is active.
mainreg_interrupt_active	1	RO	Indicates that the interrupt generated by this module is active.
txreg_interrupt_active	2	RO	Indicates that the interrupt generated by this module is active.
rxreg_interrupt_active	3	RO	Indicates that the interrupt generated by this module is active.
txtdmreg_interrupt_active	4	RO	Indicates that the interrupt generated by this module is active.
utoreg_interrupt_active	5	RO	Indicates that the interrupt generated by this module is active.
h100reg_interrupt_active	6	RO	Indicates that the interrupt generated by this module is active.
miscreg_interrupt_active	7	RO	Indicates that the interrupt generated by this module is active.
rxtdmreg_interrupt_active	8	RO	Indicates that the interrupt generated by this module is active.
aal0alarm_interrupt_active	9	RO	Set when RX AAL0 data cell FIFO is half full or a time-out occurs. Clear by writing '1' to register 468h bit '0'
clkrecovalarm_interrupt_active	10	RO	Set when the clock recovery buffer A or buffer B is half-full. Automatically cleared when both buffers are less than half full.
erroralarm_interrupt_active	11	RO	Set when the Error/Event FIFO is half full or a time-out occurs. Clear by writing '1' to register 468h bit '1'
reserved	14:12	RO	Reserved. Always Read as "000"
interrupt1_treated	15	PUL	When written to '1', another interrupt will not be generates for the number of us indicated in reg 214h.

Table 47 - Interrupt Flag Register



Address: 214h Label: interrupt1_conf Reset Value: 0000h			
Label	Bit Position	Type	Description
min_interrupt1_period	13:0	RW	Number of us between interrupts (minimum). When 0000h, there is no minimum interval between interrupts.
interrupt1_polarity	15:14	RW	Interrupt polarity and output enable. "00"=active low (open-collector); "01"=active high (open-collector); "10" = drive low; "11" = drive high.

Table 48 - Minimum Interrupt Interval Register

Address: 216h Label: interrupt2_conf Reset Value: 0000h			
Label	Bit Position	Type	Description
reserved	13:0	RW	Reserved. Must always be "0000_0000_0000_00"
interrupt2_polarity	15:14	RW	Interrupt polarity and output enable. "00"=active low (open-collector); "01"=active high (open-collector); "10" = drive low; "11" = drive high.

Table 49 - Interrupt Polarity &amp; O/P Enable Register

Address: 218h Label: interrupt1_enable Reset Value: 0000h			
Label	Bit Position	Type	Description
cpureg_interrupt1_enable	0	RW	When '1' and the corresponding active bit in reg 210h is active, interrupt1 will be active.
mainreg_interrupt1_enable	1	RW	When '1' and the corresponding active bit in reg 210h is active, interrupt1 will be active.
txreg_interrupt1_enable	2	RW	When '1' and the corresponding active bit in reg 210h is active, interrupt1 will be active.
rxreg_interrupt1_enable	3	RW	When '1' and the corresponding active bit in reg 210h is active, interrupt1 will be active.
txtdmreg_interrupt1_enable	4	RW	When '1' and the corresponding active bit in reg 210h is active, interrupt1 will be active.
utoreg_interrupt1_enable	5	RW	When '1' and the corresponding active bit in reg 210h is active, interrupt1 will be active.

Table 50 - Interrupt 1 Enable Register

Address: 218h Label: interrupt1_enable Reset Value: 0000h			
Label	Bit Position	Type	Description
h100reg_interrupt1_enable	6	RW	When '1' and the corresponding active bit in reg 210h is active, interrupt1 will be active.
miscreg_interrupt1_enable	7	RW	When '1' and the corresponding active bit in reg 210h is active, interrupt1 will be active.
rxtdmreg_interrupt1_enable	8	RW	When '1' and the corresponding active bit in reg 210h is active, interrupt1 will be active.
aal0alarm_interrupt1_enable	9	RW	When '1' and the corresponding active bit in reg 210h is active, interrupt1 will be active.
clkrecoalarm_interrupt1_enable	10	RW	When '1' and the corresponding active bit in reg 210h is active, interrupt1 will be active.
erroralarm_interrupt1_enable	11	RW	When '1' and the corresponding active bit in reg 210h is active, interrupt1 will be active.
reserved	15:12	RW	Reserved. Must always be "0000"

Table 50 - Interrupt 1 Enable Register (continued)

Address: 21Ah Label: interrupt2_enable Reset Value: 0000h			
Label	Bit Position	Type	Description
cpureg_interrupt2_enable	0	RW	When '1' and the corresponding active bit in reg 210h is active, interrupt2 will be active.
mainreg_interrupt2_enable	1	RW	When '1' and the corresponding active bit in reg 210h is active, interrupt2 will be active.
txreg_interrupt2_enable	2	RW	When '1' and the corresponding active bit in reg 210h is active, interrupt2 will be active.
rxreg_interrupt2_enable	3	RW	When '1' and the corresponding active bit in reg 210h is active, interrupt2 will be active.
txtdmreg_interrupt2_enable	4	RW	When '1' and the corresponding active bit in reg 210h is active, interrupt2 will be active.
utoreg_interrupt2_enable	5	RW	When '1' and the corresponding active bit in reg 210h is active, interrupt2 will be active.
h100reg_interrupt2_enable	6	RW	When '1' and the corresponding active bit in reg 210h is active, interrupt2 will be active.

Table 51 - Interrupt 2 Enable Register

Address: 21Ah Label: interrupt2_enable Reset Value: 0000h			
Label	Bit Position	Type	Description
miscreg_interrupt2_enable	7	RW	When '1' and the corresponding active bit in reg 210h is active, interrupt2 will be active.
rxtdmreg_interrupt2_enable	8	RW	When '1' and the corresponding active bit in reg 210h is active, interrupt2 will be active.
aal0alarm_interrupt2_enable	9	RW	When '1' and the corresponding active bit in reg 210h is active, interrupt2 will be active.
clkrecovalarm_interrupt2_enable	10	RW	When '1' and the corresponding active bit in reg 210h is active, interrupt2 will be active.
erroralarm_interrupt2_enable	11	RW	When '1' and the corresponding active bit in reg 210h is active, interrupt2 will be active.
reserved	15:12	RW	Reserved. Must always be "0000"

Table 51 - Interrupt 2 Enable Register

Address: 220h Label: txa_clk_gen Reset Value: 0403h			
Label	Bit Position	Type	Description
txa_clk_div[5:0]	5:0	RW	txa_clk clock source division value. The txa_clk clock source (selected using txa_clk_src) can be divided before being sent out on UTOPIA. Note that odd values will force the duty cycle to be maintained, rather than returning it to 50-50.
txa_clk_divisor_load_now	6	PUL	This bit, when written to '1', will force the new txa_clk_div to be applied immediately (possibly causing glitches on the txa_clk). This bit should only be set to one when loading the divisor when the txa_clk_present bit is cleared.
			Note that it is possible to dynamically change the divisor value without causing glitches on the output clock if this bit is not written to 1.
txa_clk_inv	7	RW	When '1', the txa_clk's source will be inverted before being driven out on the txa_clk pin.
txa_clk_src[2:0]	10:8	RW	"000" =txa_clk_in; "001" =txb_clk_in; "010" =txc_clk_in; "011" =rxa_clk_in; "100" =rxb_clk_in; "101" =rxc_clk_in; "110" =mem_clk; others =reserved.
txa_clk_oe	11	RW	txa_clk output enable. Active high.

Table 52 - Tx A Clock Division Register

Address: 220h Label: txa_clk_gen Reset Value: 0403h			
Label	Bit Position	Type	Description
txa_clk_present	12	RW	Set to '1' when the txa_clk is present. If the user does not want to use the txa UTOPIA interface, this bit should be left at '0' regardless of the presence of the txa_clk.
txa_clk_divisor_reset	13	RW	When '0', will reset the clock division.
reserved	15:14	RW	Reserved. Must always be "00"

Table 52 - Tx A Clock Division Register

Address: 222h Label: txb_clk_gen Reset Value: 0403h			
Label	Bit Position	Type	Description
txb_clk_div[5:0]	5:0	RW	txb_clk clock source division value. The txb_clk clock source (selected using txb_clk_src) can be divided before being sent out on UTOPIA. Note that odd values will force the duty cycle to be maintained, rather than returning it to 50-50.
txb_clk_divisor_load_now	6	PUL	This bit, when written to '1', will force the new txb_clk_div to be applied immediately (possibly causing glitches on the txb_clk). This bit should only be set to one when loading the divisor when the txb_clk_present bit is cleared. Note that it is possible to dynamically change the divisor value without causing glitches on the output clock if this bit is not written to 1.
txb_clk_inv	7	RW	When '1', the txb_clk's source will be inverted before being driven out on the txb_clk pin.
txb_clk_src[2:0]	10:8	RW	"000"=txa_clk_in; "001" =txb_clk_in; "010"=txc_clk_in; "011"=rxa_clk_in; "100"=rxb_clk_in; "101"=rxc_clk_in; "110"=mem_clk; others=reserved.
txb_clk_oe	11	RW	txb_clk output enable. Active high.
txb_clk_present	12	RW	Set to '1' when the txb_clk is present. If the user does not want to use the txa UTOPIA interface, this bit should be left at '0' regardless of the presence of the txb_clk.
txb_clk_divisor_reset	13	RW	When '0', will reset the clock division.
reserved	15:14	RW	Reserved. Must always be "00"

Table 53 - Tx B Clock Division Register

Address: 224h Label: txc_clk_gen Reset Value: 0403h			
Label	Bit Position	Type	Description
txc_clk_div[5:0]	5:0	RW	txc_clk clock source division value. The txc_clk clock source (selected using txc_clk_src) can be divided before being sent out on UTOPIA. Note that odd values will force the duty cycle to be maintained, rather than returning it to 50-50.
txc_clk_divisor_load_now	6	PUL	This bit, when written to '1', will force the new txc_clk_div to be applied immediately (possibly causing glitches on the txc_clk). This bit should only be set to one when loading the divisor when the txc_clk_present bit is cleared.
			Note that it is possible to dynamically change the divisor value without causing glitches on the output clock if this bit is not written to 1.
txc_clk_inv	7	RW	When '1', the txc_clk's source will be inverted before being driven out on the txc_clk pin.
txc_clk_src[2:0]	10:8	RW	"000"=txa_clk_in; "001"=txb_clk_in; "010"=txc_clk_in; "011"=rxa_clk_in; "100"=rxb_clk_in; "101"=rxc_clk_in; "110"=mem_clk; others = reserved.
txc_clk_oe	11	RW	txc_clk output enable. Active high.
txc_clk_present	12	RW	Set to '1' when the txc_clk is present. If the user does not want to use the txa UTOPIA interface, this bit should be left at '0' regardless of the presence of the txc_clk.
txc_clk_divisor_reset	13	RW	When '0', will reset the clock division.
reserved	15:14	RW	Reserved. Must always be "00"

Table 54 - Tx C Clock Division Register

Address: 228h Label: rxa_clk_gen Reset Value: 0403h			
Label	Bit Position	Type	Description
rx_clk_div[5:0]	5:0	RW	rx_clk clock source division value. The rx_clk clock source (selected using rx_clk_src) can be divided before being sent out on UTOPIA. Note that odd values will force the duty cycle to be maintained, rather than returning it to 50-50.
rx_clk_divisor_load_now	6	PUL	This bit, when written to '1', will force the new rx_clk_div to be applied immediately (possibly causing glitches on the rx_clk). This bit should only be set to one when loading the divisor when the rx_clk_present bit is cleared.
			Note that it is possible to dynamically change the divisor value without causing glitches on the output clock if this bit is not written to 1.
rx_clk_inv	7	RW	When '1', the rx_clk's source will be inverted before being driven out on the rx_clk pin.
rx_clk_src[2:0]	10:8	RW	"000"=txa_clk_in; "001"=txb_clk_in; "010"=txc_clk_in; "011"=rx_clk_in; "100"=rxb_clk_in; "101"=rxc_clk_in; "110"=mem_clk; others=reserved.
rx_clk_oe	11	RW	rx_clk output enable. Active high.
rx_clk_present	12	RW	Set to '1' when the rx_clk is present. If the user does not want to use the txa UTOPIA interface, this bit should be left at '0' regardless of the presence of the rx_clk.
rx_clk_divisor_reset	13	RW	When '0', will reset the clock division.
reserved	15:14	RW	Reserved. Must always be "00"

Table 55 - Rx A Clock Division Register

Address: 22Ah Label: rxb_clk_gen Reset Value: 0403h			
Label	Bit Position	Type	Description
rxb_clk_div[5:0]	5:0	RW	rxb_clk clock source division value. The rxb_clk clock source (selected using rxb_clk_src) can be divided before being sent out on UTOPIA. Note that odd values will force the duty cycle to be maintained, rather than returning it to 50-50.
rxb_clk_divisor_load_now	6	PUL	This bit, when written to '1', will force the new rxb_clk_div to be applied immediately (possibly causing glitches on the rxb_clk). This bit should only be set to one when loading the divisor when the rxb_clk_present bit is cleared.
			Note that it is possible to dynamically change the divisor value without causing glitches on the output clock if this bit is not written to 1.
rxb_clk_inv	7	RW	When '1', the rxb_clk's source will be inverted before being driven out on the rxb_clk pin.
rxb_clk_src[2:0]	10:8	RW	"000"=txa_clk_in; "001"=txb_clk_in; "010"=txc_clk_in; "011"=rxa_clk_in; "100"=rxb_clk_in; "101"=rxc_clk_in; "110"=mem_clk; others=reserved.
rxb_clk_oe	11	RW	rxb_clk output enable. Active high.
rxb_clk_present	12	RW	Set to '1' when the rxb_clk is present. If the user does not want to use the txa UTOPIA interface, this bit should be left at '0' regardless of the presence of the rxb_clk.
rxb_clk_divisor_reset	13	RW	When '0', will reset the clock division.
reserved	15:14	RW	Reserved. Must always be "00"

Table 56 - Rx B Clock Division Register

Address: 22Ch Label: rxc_clk_gen Reset Value: 0403h			
Label	Bit Position	Type	Description
rxc_clk_div[5:0]	5:0	RW	rxc_clk clock source division value. The rxc_clk clock source (selected using rxc_clk_src) can be divided before being sent out on UTOPIA. Note that odd values will force the duty cycle to be maintained, rather than returning it to 50-50.
rxc_clk_divisor_load_now	6	PUL	This bit, when written to '1', will force the new rxc_clk_div to be applied immediately (possibly causing glitches on the rxc_clk). This bit should only be set to one when loading the divisor when the rxc_clk_present bit is cleared.
			Note that it is possible to dynamically change the divisor value without causing glitches on the output clock if this bit is not written to 1.
rxc_clk_inv	7	RW	When '1', the rxc_clk's source will be inverted before being driven out on the rxc_clk pin.
rxc_clk_src[2:0]	10:8	RW	"000"=txa_clk_in; "001"=txb_clk_in; "010"=txc_clk_in; "011"=rxa_clk_in; "100"=rxb_clk_in; "101"=rxc_clk_in; "110"=mem_clk; others = reserved.
rxc_clk_oe	11	RW	rxc_clk output enable. Active high.
rxc_clk_present	12	RW	Set to '1' when the rxc_clk is present. If the user does not want to use the txa UTOPIA interface, this bit should be left at '0' regardless of the presence of the rxc_clk.
rxc_clk_divisor_reset	13	RW	When '0', will reset the clock division.
reserved	15:14	RW	Reserved. Must always be "00"

Table 57 - Rx C Clock Division Register



Address: 230h Label: mem_parity0 Reset Value: 0000h			
Label	Bit Position	Type	Description
mema_parity_conf[1:0]	1:0	RW	Selects how the parity bits of memory bank A are used (either as data bits or as parity bits). They should be set to "11" to allow correct Underrun detection in the RX TDM control memory. '0' = parity bits; '1' = user data.
memb_parity_conf[1:0]	3:2	RW	Selects how the parity bits of memory bank B are used (either as data bits or as parity bits). They should be set to "11" to allow correct Underrun detection in the RX TDM control memory. '0' = parity bits; '1' = user data.
cpu_parity_conf	4	RW	'1' = automatic parity calculation/checking on CPU accesses; '0' = CPU parity on CPU accesses (read and writes).
reserved	7:5	RO	Reserved. Always read as "00"
mem_parity_generation_data_mask	15:8	RW	The data bits whose corresponding bit is set to '1' in this vector will be used in parity calculation to the external memory.

Table 58 - Memory Parity Register 0

Address: 232h Label: mem_parity1 Reset Value: 0000h			
Label	Bit Position	Type	Description
mem_parity_generation_add_mask[22:16]	6:0	RW	The address bits whose corresponding bit is set to '1' in this vector will be used in parity calculation to the external memory.
reserved	15:7	RW	Reserved. Must always be "0000_0000_0"

Table 59 - Memory Parity Register 1

<b>Address: 234h</b> <b>Label: mem_parity2</b> <b>Reset Value: 0000h</b>			
Label	Bit Position	Type	Description
mem_parity_generation_add_mask[15:0]	15:0	RW	The address bits whose corresponding bit is set to '1' in this vector will be used in parity calculation to the external memory.

**Table 60 - Memory Parity Register 2**

<b>Address: 240h</b> <b>Label: mem_conf0</b> <b>Reset Value: 0075h</b>			
Label	Bit Position	Type	Description
mema_add_lines	1:0	RW	"11" = 1 Mb per chip; "10" = 512 Kb per chip; "01" = 256 Kb per chip; "00" = 128 Kb per chip
memb_add_lines	3:2	RW	"11" = 1 Mb per chip; "10" = 512 Kb per chip; "01" = 256 Kb per chip; "00" = 128 Kb per chip
sar_capacity	5:4	RW	"00"=128 channels; "01"=256 channels; "10"=512 channels; "11"=1023 channel.
rx_circular_buffer_size	7:6	RW	Indicates the size of the RX Circular Buffers in external memory. They can be set locally to 256, 512, 1024 bytes. "00"= reserved;"01"=256 bytes; "10"=512 bytes; "11"=1024 bytes.
memb_bank_present	8	RW	Indicates if memory bank B is present or not. '0' = memb bank absent; '1' = memb bank present.
reserved	15:9	RW	Reserved. Must always be "0000_000"

**Table 61 - Memory Configuration Register 0**

<b>Address: 242h</b> <b>Label: mem_conf1</b> <b>Reset Value: 0000h</b>			
Label	Bit Position	Type	Description
rx_base_address	7:0	RW	Base address of the RX SSRAM in Bank A. Specified in increments of 8 K bytes. Not used if bank B is present.
reserved	15:8	RW	Reserved. Must always be "0000_0000"

**Table 62 - Memory Configuration Register 1**

Address: 250h Label: sdram_conf0 Reset Value: 0000h			
Label	Bit Position	Type	Description
sdrama_enable	0	RW	When '0', the values placed in the sdram_conf3 register will be placed on the SDRAM A pins.
sdramb_enable	1	RW	When '0', the values placed in the sdram_conf3 register will be placed on the SDRAM B pins.
sdrama_manual_access	2	PUL	When written to 1 and sdrama_enable is '0', the values placed in the sdram_conf4 register will be placed on the SDRAM A pins.
sdramb_manual_access	3	PUL	When written to 1 and sdramb_enable is '0', the values placed in the sdram_conf4 register will be placed on the SDRAM B pins.
sdrama_size	4	RW	0' = 4M x 16 (8 Megabytes), '1' = 8M x 16 (16 Megabytes)
sdramb_size	5	RW	0' = 4M x 16 (8 Megabytes), '1' = 8M x 16 (16 Megabytes)
sdram_refresh_freq	7:6	RW	"00" = 1 refresh every 16 cycles, "01" = 1 refresh every 8 cycles, "10" = 1 refresh every 4 cycles. Typical value "00".
reserved	15:8	RW	Reserved. Must always be "0000_0000".

Table 63 - SDRAM Configuration Register 0

Address: 252h Label: sdram_conf1 Reset Value: 0400h			
Label	Bit Position	Type	Description
sdram_refresh_cnt	15:0	RW	Number of mem_clk cycles per refresh to the SDRAM.

Table 64 - SDRAM Configuration Register 1

Address: 254h Label: sdram_conf2 Reset Value: 0200h			
Label	Bit Position	Type	Description
sdram_max_lateness	15:0	RW	Maximum number of refreshes that the SDRAM can be late before reporting an error.

Table 65 - SDRAM Configuration Register 2

Address: 256h Label: sdram_conf3 Reset Value: 0000h			
Label	Bit Position	Type	Description
sdram_add_idle	13:0	RW	While sdram_enable is '0', the value placed in this register will be put on the address lines.
reserved	15:14	RW	Reserved. Must always be "00"

Table 66 - SDRAM Configuration Register 3

Address: 258h Label: sdram_conf4 Reset Value: 0000h			
Label	Bit Position	Type	Description
sdram_add_man	13:0	RW	While sdram_enable is '0', the value placed in this register will be put on the address lines for 1 cycle if sdram_manual_access is written to '1'.
reserved	15:14	RW	Reserved. Must always be "00"

Table 67 - SDRAM Configuration Register 4

Address: 25Ah Label: sdram_conf5 Reset Value: 003Fh			
Label	Bit Position	Type	Description
sdram_cas_idle	0	RW	While sdram_enable is '0', the value placed in this register will be put on the cas line.
sdram_ras_idle	1	RW	While sdram_enable is '0', the value placed in this register will be put on the ras line.
sdram_we_idle	2	RW	While sdram_enable is '0', the value placed in this register will be put on the we line.
sdram_cas_man	3	RW	While sdram_enable is '0', the value placed in this register will be put on the cas line for 1 cycle if sdram_manual_access is written to '1'.
sdram_ras_man	4	RW	While sdram_enable is '0', the value placed in this register will be put on the ras line for 1 cycle if sdram_manual_access is written to '1'.

Table 68 - SDRAM Configuration Register 5

<b>Address: 25Ah</b> <b>Label: sdram_conf5</b> <b>Reset Value: 003Fh</b>			
Label	Bit Position	Type	Description
sdram_we_man	5	RW	While sdram_enable is '0', the value placed in this register will be put on the we line for 1 cycle if sdram_manual_access is written to '1'.
reserved	15:6	RW	Reserved. Must always be "0000_0000_00"

**Table 68 - SDRAM Configuration Register 5****3.3 TX Registers**

<b>Address: 300h</b> <b>Label: control</b> <b>Reset Value: 0000h</b>			
Label	Bit Position	Type	Description
scanning_enable	0	RW	When '1', the cell time-out scanning process is enabled and will send cells beyond a certain pending time (programmed per VC).
aal0_cell_written	1	PUL	Written to '1' after an AAL0 cell has been written by the CPU to the TX AAL0 Cell FIFO. The cell will then be automatically sent.
reserved	14:2	RW	Reserved. Must always be "0000_0000_0000_0"
test_status	15	TS	Reserved. Must always be "0".

**Table 69 - TX Control Register**

<b>Address: 302h</b> <b>Label: status0</b> <b>Reset Value: 0000h</b>			
Label	Bit Position	Type	Description
aal0_cell_fifo_empty	0	ROL	When '1', CPU can write another 4 AAL0 cells to internal FIFO
reserved	15:1	ROL	Reserved. Always read as "0000_0000_0000_000"

**Table 70 - TX Status Register**

Address: 304h  
 Label: status0\_ie  
 Reset Value: 0000h

Label	Bit Position	Type	Description
aal0_cell_fifo_empty_ie	0	IE	When '1' and the corresponding status bit is '1' an interrupt will be generated.
reserved	15:1	RO	Reserved. Always read as "0000_0000_0000_000"

**Table 71 - TX Interrupt Enable Register**

Address: 310h  
 Label: aal0\_monitor  
 Reset Value: 0000h

Label	Bit Position	Type	Description
aal0_cell_write_ok	0	RO	When '1', CPU can write another AAL0 cell to internal FIFO
reserved	15:1	RO	Reserved. Always read as "0000_0000_0000_000"

**Table 72 - TX AAL0 Monitor Register**

### 3.4 RX Registers

Address: 400h  
 Label: control  
 Reset Value: 0000h

Label	Bit Position	Type	Description
hdlc_type	0	RW	'0'=Bit wide HDLC Framing; '1'=Byte Wide HDLC Framing.
packaging_type	1	RW	'0' = no AAL2 Header in HDLC Data Field; '1' = Raw AAL2 CPS-Packet in HDLC Data Field
nibble_mode	2	RW	'0' = High bits used for ADPCM nibble, '1' = low bits used for ADPCM nibble
reserved	14:3	RW	Reserved. Must Always be "0000_0000_0000"
test_status	15	TS	Reserved. Must always be "0".

**Table 73 - RX Control Register**

Address: 402h Label: status0 Reset Value: 0000h			
Label	Bit Position	Type	Description
cpu_buffer_overflow	0	ROL	CPU Destined CPS-Packet Buffer Overflow.
aal0_overflow	1	ROL	Overflow in the receive AAL0 cell buffer.
error_overflow	2	ROL	Overflow in the error/event structure buffer.
reserved	15:3	ROL	Reserved. Always read as "0000_0000_0000_0"

Table 74 - RX Status Register

Address: 404h Label: status0_ie Reset Value: 0000h			
Label	Bit Position	Type	Description
cpu_buffer_overflow_ie	0	IE	When '1' and the corresponding status bit is '1' an interrupt will be generated.
aal0_overflow_ie	1	IE	When '1' and the corresponding status bit is '1' an interrupt will be generated.
error_overflow_ie	2	IE	When '1' and the corresponding status bit is '1' an interrupt will be generated.
reserved	15:3	RO	Reserved. Always read as "0000_0000_0000_0"

Table 75 - RX Interrupt Enable Register

Address: 410h Label: silent_pattern_reg Reset Value: 00FFh			
Label	Bit Position	Type	Description
write_back_pattern	7:0	RW	PCM Silent pattern written back to RX circular buffers by RX TDM module (only if enabled in PCM RX Control Memory structure)
reserved	15:8	RW	Reserved. Must always be "0000_0000"

Table 76 - PCM Silent Pattern Register

<b>Address: 428h</b> <b>Label: crc_config0</b> <b>Reset Value: FFFFh</b>			
Label	Bit Position	Type	Description
crc_preset	15:0	RW	HDLC CRC Preset. Must be "1111_1111_1111_1111" for ITU compliance.

**Table 77 - CRC Configuration Register 0**

<b>Address: 42Ah</b> <b>Label: crc_config1</b> <b>Reset Value: F0B8h</b>			
Label	Bit Position	Type	Description
crc_mask	15:0	RW	HDLC CRC End Mask. Must be "1111_0000_1011_1000" for ITU compliance.

**Table 78 - CRC Configuration Register 1**

<b>Address: 430h</b> <b>Label: aal0_manage</b> <b>Reset Value: 0000h</b>			
Label	Bit Position	Type	Description
rx_aal0_base_add	8:0	RW	Represents bits 20:12 of the byte address at which the AAL0 data cell FIFO is mapped.
rx_aal0_buf_size	11:9	RW	"000" = 4 KByte, "001" = 8 KB, "010" = 16 KB, "011" = 32 KB, "100" = 64 KB, "101" = 128 KB, others = reserved
reserved	15:12	RW	Reserved. Must always be "0000"

**Table 79 - AAL0 FIFO Management Register**

<b>Address: 432h</b> <b>Label: aal0_read</b> <b>Reset Value: 0000h</b>			
Label	Bit Position	Type	Description
rx_aal0_rpnt	11:0	RW	The CPU's read pointer to the AAL0 data cell FIFO. This read pointer has an extra bit to allow for a full buffer (for example, 128 cells instead of 127)
reserved	15:12	RW	Reserved. Must always be "0000"

**Table 80 - AAL0 Read Pointer Register**



<b>Address: 434h</b> <b>Label: aal0_write</b> <b>Reset Value: 0000h</b>			
Label	Bit Position	Type	Description
rx_aal0_wpnt	11:0	RO	The hardware's write pointer to the AAL0 data cell FIFO. This write pointer has an extra bit to allow for a full buffer (for example, 128 cells instead of 127)
reserved	15:12	RO	Reserved. Always read as "0000"

**Table 81 - AAL0 Write Pointer Register**

<b>Address: 438h</b> <b>Label: error_manage</b> <b>Reset Value: 0000h</b>			
Label	Bit Position	Type	Description
error_base_add	8:0	RW	Represents bits 20:12 of the byte address at which the error structure buffer is mapped.
error_buf_size	11:9	RW	"000" = 4 KByte, "001" = 8 KB, "010" = 16 KB, "011" = 32 KB, "100" = 64 KB, "101" = 128 KB, others = reserved
reserved	15:12	RW	Reserved. Must always be "0000"

**Table 82 - Error Management Register**

<b>Address: 43Ah</b> <b>Label: error_write</b> <b>Reset Value: 0000h</b>			
Label	Bit Position	Type	Description
error_wpnt	14:0	RO	The chip's write pointer to the error structure buffer. This write pointer has an extra bit to allow for a full buffer (for example, 1024 structures instead of 1023)
reserved	15	RO	Reserved. Always read as "0"

**Table 83 - Error Write Pointer Register**

<b>Address: 43Ch</b> <b>Label: error_readure</b> <b>Reset Value: 0000h</b>			
Label	Bit Position	Type	Description
error_rpnt	14:0	RW	The CPU's read pointer to the error structure buffer. This read pointer has an extra bit to allow for a full buffer (for example, 1024 structures instead of 1023)
reserved	15	RW	Reserved. Must always be "0"

**Table 84 - Error Read Pointer Register**

<b>Address: 440h</b> <b>Label: cpu_manage0</b> <b>Reset Value: 0000h</b>			
Label	Bit Position	Type	Description
cpu_cpsp_base_add	6:0	RW	Bits 20:14 of the byte address at which the CPU-destined CPS-Packet buffer is mapped.
cpu_cpsp_buf_size	8:7	RW	"00" = 16 KByte, "01" = 32 KB, "10" = 64 KB, "11" = 128 KB
reserved	15:9	RW	Reserved. Must always be "0000_000"

**Table 85 - CPU Management Register 0**

<b>Address: 442h</b> <b>Label: cpu_manage1</b> <b>Reset Value: 0000h</b>			
Label	Bit Position	Type	Description
cpu_cpsp_rpnt	15:0	RW	Word read pointer to the CPU-destined CPS-Packet buffer

**Table 86 - CPU Management Register 1**

<b>Address: 460h</b> <b>Label: aal0_timeout_period_high</b> <b>Reset Value: 0000h</b>			
Label	Bit Position	Type	Description
aal0_timeout_period[19:16]	3:0	RW	If an AAL0 cell remains in the buffer for the period in this register or more, an alarm will be generated. In <i>us</i> .
reserved	15:4	RW	Reserved. Must always be "0000_0000_0000"

**Table 87 - AAL0 Timeout Period (High Word) Register**

<b>Address: 462h</b> <b>Label: aal0_timeout_period_low</b> <b>Reset Value: 0000h</b>			
Label	Bit Position	Type	Description
aal0_timeout_period[15:0]	15:0	RW	If an AAL0 cell remains in the buffer for the period in this register or more, an alarm will be generated. In <i>us</i> .

Table 88 - AAL0 Timeout Period (Low Word) Register

<b>Address: 464h</b> <b>Label: error_timeout_period_high</b> <b>Reset Value: 0000h</b>			
Label	Bit Position	Type	Description
error_timeout_period[19:16]	3:0	RW	This timeout period applies both to error reporting structures as well as to CPU-destined CPS-Packets. In <i>us</i> .
reserved	15:4	RW	Reserved. Must always be "0000_0000_0000"

Table 89 - Error Timeout Period (High Word) Register

<b>Address: 466h</b> <b>Label: error_timeout_period_low</b> <b>Reset Value: 0000h</b>			
Label	Bit Position	Type	Description
error_timeout_period[15:0]	15:0	RW	This timeout period applies both to error reporting structures as well as to CPU-destined CPS-Packets. In <i>us</i> .

Table 90 - Error Timeout Period (Low Word) Register

<b>Address: 468h</b> <b>Label: pulse_register</b> <b>Reset Value: 0000h</b>			
Label	Bit Position	Type	Description
aal0_treated_pulse	0	PUL	When the AAL0 buffer has been treated, write this bit to '1' to clear the alarm.
error_treated_pulse	1	PUL	When the error buffer has been treated, write this bit to '1' to clear the alarm.
reserved	15:2	PUL	Reserved. Always read as "0000_0000_0000_00"

Table 91 - AAL0 &amp; Error Treated Register

## 3.5 TX TDM Registers

Address: 500h Label: control Reset Value: 0000h			
Label	Bit Position	Type	Description
nibble_mode	0	RW	0' = High bits used for ADPCM nibble, '1' = low bits used for ADPCM nibble
hdlc_type	1	RW	HDLC framing method. '0'=Bit wise HDLC Framing; '1'=Byte Wise HDLC Framing.
reserved	2	RW	Reserved. Must be "0".
packaging_type	3	RW	0' = AAL2 header not present in HDLC data field; '1' = AAL2 header present in HDLC data field.
llman_process_enable	4	RW	Enables the treatment of incoming TDM bytes from the H100 bus.
silent_bit_position	7:5	RW	Indicates the position of the simple silence bit in the associated odd stream. "000" = bit 7, "111" = bit 0
u_law_zero_illegal	8	RW	When '1', 00h in u-law will be replaced by 02h before it is placed on RX TDM bus.
reserved	14:9	RW	Reserved. Must always be "0000_0000_00"
test_status	15	TS	Reserved. Must always be "0".

Table 92 - TX TDM Control Register

Address: 502h Label: status0 Reset Value: 0000h			
Label	Bit Position	Type	Description
llman_process_crashed	0	ROL	Indicates that the linked-list manager crashed. This indicates corrupt data in the linked list memory.
copying_out_of_bandwidth	1	ROL	Data copying process between the H.100 interface and the TX TDM was not fast enough. Indicates too low an mem_clk speed for the amount of TDM bandwidth.
frame_reading_out_of_bandwidth	2	ROL	Means that the frame reading process that reads from the frame memory fell out of sync with the TDM bus. This error will occur naturally at startup.
bad_packet_length	3	ROL	Received packet length on HDLC exceeded 64 bytes.
circular_buffer_overflow	4	ROL	TX SAR did not read data fast enough from circular buffer. Bad data integrity will ensue.

Table 93 - TDM TX Status Register

Address: 502h Label: status0 Reset Value: 0000h			
Label	Bit Position	Type	Description
cps_packet_refused_error	5	ROL	CPS-Packet could not be written because all 512 descriptors for the VC were occupied.
txsar_wbcache_overflow	6	ROL	The 64 X 21 TX SAR write back cache overflow.
txtdm_wcache_overflow	7	ROL	The 128 X 72 byte write cache overflow.
packet_fifo_overflow	8	ROL	The 1024 X 41 packet FIFO overflow.
misaligned_flag	9	ROL	HDLC Packet got a misaligned flag (not aligned on a byte boundary)
bad_idle_code	10	ROL	HDLC Packet got idle code in the middle of a packet!
short_packet	11	ROL	HDLC Packet was too short (0 data bytes!)
dcoffset_overflow	12	ROL	DC offset value caused a linear value to be calculated as more than 4096
Reserved	15:13	ROL	Reserved. Always read as "000"

**Table 93 - TDM TX Status Register (continued)**

Address: 504h Label: status0_ie Reset Value: 0000h			
Label	Bit Position	Type	Description
llman_process_crashed_ie	0	IE	When '1' and the corresponding status bit is '1' an interrupt will be generated.
copying_out_of_bandwidth_ie	1	IE	When '1' and the corresponding status bit is '1' an interrupt will be generated.
frame_reading_out_of_bandwidth_ie	2	IE	When '1' and the corresponding status bit is '1' an interrupt will be generated.
bad_packet_length_ie	3	IE	When '1' and the corresponding status bit is '1' an interrupt will be generated.
circular_buffer_overflow_ie	4	IE	When '1' and the corresponding status bit is '1' an interrupt will be generated.
cps_packet_refused_error_ie	5	IE	When '1' and the corresponding status bit is '1' an interrupt will be generated.
txsar_wbcache_overflow_ie	6	IE	When '1' and the corresponding status bit is '1' an interrupt will be generated.
txtdm_wcache_overflow_ie	7	IE	When '1' and the corresponding status bit is '1' an interrupt will be generated.
packet_fifo_overflow_ie	8	IE	When '1' and the corresponding status bit is '1' an interrupt will be generated.
misaligned_flag_ie	9	IE	When '1' and the corresponding status bit is '1' an interrupt will be generated.
bad_idle_code_ie	10	IE	When '1' and the corresponding status bit is '1' an interrupt will be generated.
short_packet_ie	11	IE	When '1' and the corresponding status bit is '1' an interrupt will be generated.
dcoffset_overflow_ie	12	IE	When '1' and the corresponding status bit is '1' an interrupt will be generated.
Reserved	15:13	RO	Reserved. Always read as "000"

Table 94 - TDM TX Interrupt Enable Register

<b>Address: 512h</b> <b>Label: silent_pattern_a</b> <b>Reset Value: FFFFh</b>			
Label	Bit Position	Type	Description
silent_bytea_match	7:0	RW	Silent pattern detection match register A. When a received data byte matches the match and mask registers, it is tagged as silent.
silent_bytea_mask	15:8	RW	Silent pattern detection mask register A. When a received data byte matches the match and mask registers, it is tagged as silent.

**Table 95 - Silent Pattern Detection Match Register A**

<b>Address: 514h</b> <b>Label: silent_pattern_b</b> <b>Reset Value: FFFFh</b>			
Label	Bit Position	Type	Description
silent_byteb_match	7:0	RW	Silent pattern detection match register B. When a received data byte matches the match and mask registers, it is tagged as silent.
silent_byteb_mask	15:8	RW	Silent pattern detection mask register B. When a received data byte matches the match and mask registers, it is tagged as silent.

**Table 96 - Silent Pattern Detection Match Register B**

<b>Address: 518h</b> <b>Label: tdm_pointer_monitor</b> <b>Reset Value: 0000h</b>			
Label	Bit Position	Type	Description
global_tdm_pointer	15:0	RO	Current value of the global TDM pointer.

**Table 97 - TDM Pointer Monitor Register**

<b>Address: 520h</b> <b>Label: cpu_cps_packet0</b> <b>Reset Value: 0000h</b>			
Label	Bit Position	Type	Description
cps_packet_cpu_vc_number	9:0	RW	VC Number on which a CPU sourced CPS-Packet must be sent.
cps_packet_cpu_request	10	PC	Set to '1' by the CPU when a CPU Sourced CPS-Packet is pending transmission. Clear by hardware, when the CPS-Packet has been queue for transmission.
reserved	15:11	PC	Reserved. Always read as "0000_0"

**Table 98 - CPU CPS-Packet Register 0**

<b>Address: 522h</b> <b>Label: cpu_cps_packet1</b> <b>Reset Value: 0000h</b>			
Label	Bit Position	Type	Description
cps_packet_cpu_descriptor[47:32]	15:0	RW	CPU Sourced CPS-Packet Descriptor.

**Table 99 - CPU CPS-Packet Register 1**

<b>Address: 524h</b> <b>Label: cpu_cps_packet2</b> <b>Reset Value: 0000h</b>			
Label	Bit Position	Type	Description
cps_packet_cpu_descriptor[31:16]	15:0	RW	CPU Sourced CPS-Packet Descriptor.

**Table 100 - CPU CPS-Packet Register 2**

<b>Address: 526h</b> <b>Label: cpu_cps_packet3</b> <b>Reset Value: 0000h</b>			
Label	Bit Position	Type	Description
cps_packet_cpu_descriptor[15:0]	15:0	RW	CPU Sourced CPS-Packet Descriptor.

**Table 101 - CPU CPS-Packet Register 3**



## 3.6 UTOPIA Registers

Address: 600h Label: control Reset Value: 0000h			
Label	Bit Position	Type	Description
rx_ena	0	RW	0' = RXA Disabled; '1' = RXA Operates Normally.
rx_b_ena	1	RW	0' = RXB Disabled; '1' = RXB Operates Normally.
rx_c_ena	2	RW	0' = RXC Disabled; '1' = RXC Operates Normally.
porta_sar_mode	3	RW	Puts TXA/RXA in PHY or SAR mode. '1'=PHY Mode; '0'=SAR Mode.
portb_sar_mode	4	RW	Puts TXB/RXB in PHY or SAR mode. '1'=PHY Mode; '0'=SAR Mode.
portc_sar_mode	5	RW	Puts TXC/RXC in PHY or SAR mode. '1'=PHY Mode; '0'=SAR Mode.
porta_level2_mode	6	RW	Puts TXA/RXA in UTOPIA Level 2 mode. This disables port B and requires port A to be configured as PHY. '0' = Level 1; '1' = Level 2.
txa_always_drive_dat_soc_par	7	RW	0' = only drive when selected; '1' = always drive DAT/PAR/SOC pins.
txb_always_drive_dat_soc_par	8	RW	0' = only drive when selected; '1' = always drive DAT/PAR/SOC pins.
txc_always_drive_dat_soc_par	9	RW	0' = only drive when selected; '1' = always drive DAT/PAR/SOC pins.
clav_enb_oe	10	RW	When '0', tx_clav/tx_enb pins are in tri-state.
reserved	14:11	RW	Reserved. Must always be "0000"
test_status	15	TS	Reserved. Must always be "0".

Table 102 - UTOPIA Control Register 1

Address: 602h Label: status0 Reset Value: 0000h			
Label	Bit Position	Type	Description
phy_alarma	0	ROL	PHY alarm detected on port A
phy_alarmb	1	ROL	PHY alarm detected on port B
rx_cell_loss	2	ROL	Cell loss in RX SAR output FIFO
outa_cell_loss	3	ROL	Cell loss in port A output FIFO
outb_cell_loss	4	ROL	Cell loss in port B output FIFO
outc_cell_loss	5	ROL	Cell loss in port C output FIFO
cell_loss_rollover	6	CRL	Cell loss counter has wrapped
tx_arr_rollover	7	CRL	Counter of cells received from TX SAR has wrapped
rx_dep_rollover	8	CRL	Counter of cells sent to RX SAR has wrapped
ia_arr_rollover	9	CRL	Counter of cells received from port A has wrapped
oa_dep_rollover	10	CRL	Counter of cells sent to port A has wrapped
ib_arr_rollover	11	CRL	Counter of cells received from port B has wrapped
ob_dep_rollover	12	CRL	Counter of cells sent to port B has wrapped
ic_arr_rollover	13	CRL	Counter of cells received from port C has wrapped
oc_dep_rollover	14	CRL	Counter of cells sent to port C has wrapped
aal0_arr_rollover	15	CRL	Counter of cells received from AAL0 input FIFO has wrapped

Table 103 - UTOPIA Status Register 0

Address: 604h Label: status0_ie Reset Value: 0000h			
Label	Bit Position	Type	Description
phy_alarma_ie	0	IE	When '1' and the corresponding status bit is '1' an interrupt will be generated.
phy_alarmb_ie	1	IE	When '1' and the corresponding status bit is '1' an interrupt will be generated.
rx_cell_loss_ie	2	IE	When '1' and the corresponding status bit is '1' an interrupt will be generated.
outa_cell_loss_ie	3	IE	When '1' and the corresponding status bit is '1' an interrupt will be generated.
outb_cell_loss_ie	4	IE	When '1' and the corresponding status bit is '1' an interrupt will be generated.
outc_cell_loss_ie	5	IE	When '1' and the corresponding status bit is '1' an interrupt will be generated.
cell_loss_rollover_ie	6	IE	When '1' and the corresponding status bit is '1' an interrupt will be generated.
tx_arr_rollover_ie	7	IE	When '1' and the corresponding status bit is '1' an interrupt will be generated.
rx_dep_rollover_ie	8	IE	When '1' and the corresponding status bit is '1' an interrupt will be generated.
ia_arr_rollover_ie	9	IE	When '1' and the corresponding status bit is '1' an interrupt will be generated.
oa_dep_rollover_ie	10	IE	When '1' and the corresponding status bit is '1' an interrupt will be generated.
ib_arr_rollover_ie	11	IE	When '1' and the corresponding status bit is '1' an interrupt will be generated.
ob_dep_rollover_ie	12	IE	When '1' and the corresponding status bit is '1' an interrupt will be generated.
ic_arr_rollover_ie	13	IE	When '1' and the corresponding status bit is '1' an interrupt will be generated.
oc_dep_rollover_ie	14	IE	When '1' and the corresponding status bit is '1' an interrupt will be generated.
aal0_arr_rollover_ie	15	IE	When '1' and the corresponding status bit is '1' an interrupt will be generated.

Table 104 - UTOPIA Interrupt Enable Register 0

Address: 60Ah Label: status2 Reset Value: 0000h			
Label	Bit Position	Type	Description
reserved	2:0	ROL	Reserved. Always read as "000"
rx_a_parity_error	3	ROL	Parity error on UTOPIA port A
rx_b_parity_error	4	ROL	Parity error on UTOPIA port B
rx_c_parity_error	5	ROL	Parity error on UTOPIA port C
reserved	15:6	ROL	Reserved. Always read as "0000_0000_00"

Table 105 - UTOPIA Status Register 2

Address: 60Ch Label: status2_ie Reset Value: 0000h			
Label	Bit Position	Type	Description
reserved	2:0	RO	Reserved. Always read as "000"
rx_a_parity_error_ie	3	IE	When '1' and the corresponding status bit is '1' an interrupt will be generated.
rx_b_parity_error_ie	4	IE	When '1' and the corresponding status bit is '1' an interrupt will be generated.
rx_c_parity_error_ie	5	IE	When '1' and the corresponding status bit is '1' an interrupt will be generated.
reserved	15:6	RO	Reserved. Always read as "0000_0000_00"

Table 106 - UTOPIA Interrupt Enable Register 2

Address: 60Eh Label: control2 Reset Value: 0000h			
Label	Bit Position	Type	Description
rx_a_null_elim	1:0	RW	Port A Null Cell Elimination. "00"=no Null-Cell Deletion; "01" = reserved; "10" = Delete Null-Cells (UNI); "11" = Delete Null-Cells (NNI).
rx_b_null_elim	3:2	RW	Port B Null Cell Elimination. "00"=no Null-Cell Deletion; "01" = reserved; "10" = Delete Null-Cells (UNI); "11" = Delete Null-Cells (NNI).
rx_c_null_elim	5:4	RW	Port C Null Cell Elimination. "00"=no Null-Cell Deletion; "01" = reserved; "10" = Delete Null-Cells (UNI); "11" = Delete Null-Cells (NNI).
phy_alarm_mode	7:6	RW	"00" = Never detect PHY Alarm; "01" = active-high signal; "10" = active-low signal; "11" = reserved.
reserved	15:8	RW	Reserved. Must always be "0000_0000"

Table 107 - UTOPIA Control Register 2

<b>Address: 612h</b> <b>Label: cell_loss_counter</b> <b>Reset Value: 0000h</b>			
Label	Bit Position	Type	Description
cell_loss	15:0	CNT	Counter of the number of cells lost in all UTOPIA output FIFOs

**Table 108 - Lost Cells Counter**

<b>Address: 614h</b> <b>Label: gpio0</b> <b>Reset Value: 0000h</b>			
Label	Bit Position	Type	Description
phya_tx_led_conf	1:0	RW	"00"=Tri-state; "01" = used as LED; "10"=Drive Low; "11"=Drive high.
phya_rx_led_conf	3:2	RW	"00"=Tri-state; "01" = used as LED; "10"=Drive Low; "11"=Drive high.
phyb_tx_led_conf	5:4	RW	"00"=Tri-state; "01" = used as LED; "10"=Drive Low; "11"=Drive high.
phyb_rx_led_conf	7:6	RW	"00"=Tri-state; "01" = used as LED; "10"=Drive Low; "11"=Drive high.
phya_alm_input	8	RO	Indicates if the PHY alarm on port A is currently active
phyb_alm_input	9	RO	Indicates if the PHY alarm on port B is currently active
phya_tx_led_input	10	RO	Indicates if the TX LED on port A is currently active
phya_rx_led_input	11	RO	Indicates if the RX LED on port A is currently active
phyb_tx_led_input	12	RO	Indicates if the TX LED on port B is currently active
phyb_rx_led_input	13	RO	Indicates if the RX LED on port B is currently active
reserved	15:14	RO	Reserved. Always read as "00"

**Table 109 - General Purpose I/O Register 0**

<b>Address: 620h</b> <b>Label: porta_look_up_base</b> <b>Reset Value: 0000h</b>			
Label	Bit Position	Type	Description
luta_base	3:0	RW	LUT Base address in megabytes.
luta_size	5:4	RW	"00"=128K VC; "01"=256K VC; "10"=512K VC; "11"=1024K VC.
reserved	15:6	RW	Reserved. Must always be "0000_0000_00"

**Table 110 - Port A LUT Base Address Register**

<b>Address: 622h</b> <b>Label: porta_concatenation</b> <b>Reset Value: 0000h</b>			
Label	Bit Position	Type	Description
vci_na	4:0	RW	Number of VCI bits in look-up table.
reserved	15:5	RW	Reserved. Must always be "0000_0000_000"

**Table 111 - Port A VCI Bits in LUT**

<b>Address: 624h</b> <b>Label: porta_vpi_match</b> <b>Reset Value: 0000h</b>			
Label	Bit Position	Type	Description
vpi_matcha	11:0	RW	For a cell from port A to be considered valid, any bits in its VPI whose corresponding bits in reg 626h are '1' must have the value contained in this register.
reserved	15:12	RW	Reserved. Must always be "0000"

**Table 112 - Port A VPI Match Register**

<b>Address: 626h</b> <b>Label: porta_vpi_mask</b> <b>Reset Value: 0000h</b>			
Label	Bit Position	Type	Description
vpi_maska	11:0	RW	For a cell from port A to be considered valid, any bits in its VPI whose corresponding bits in this register are '1' must have the value contained in reg 624h.
reserved	15:12	RW	Reserved. Must always be "0000"

**Table 113 - Port A VPI Mask Register**

<b>Address: 628h</b> <b>Label: porta_vci_match</b> <b>Reset Value: 0000h</b>			
Label	Bit Position	Type	Description
vci_matcha	15:0	RW	For a cell from port A to be considered valid, any bits in its VCI whose corresponding bits in reg 62Ah are '1' must have the value contained in this register.

**Table 114 - Port A VCI Match Register**

<b>Address: 62Ah</b>			
<b>Label: porta_vci_mask</b>			
<b>Reset Value: 0000h</b>			
Label	Bit Position	Type	Description
vci_maska	15:0	RW	For a cell from port A to be considered valid, any bits in its VCI whose corresponding bits in this register are '1' must have the value contained in reg 628h.

**Table 115 - Port A VCI Mask Register**

<b>Address: 62Ch</b>			
<b>Label: porta_overflow0</b>			
<b>Reset Value: FFFFh</b>			
Label	Bit Position	Type	Description
ia_rx_cell_max	5:0	RW	If the cell fill of the RX SAR output FIFO becomes greater than this value, cells from the port A input FIFO will be blocked. 3Fh = no backpressure
ia_oa_cell_max	9:6	RW	If the cell fill of the port A output FIFO becomes greater than this value, cells from the port A input FIFO will be blocked. Fh = no backpressure
ia_ob_cell_max	13:10	RW	If the cell fill of the port B output FIFO becomes greater than this value, cells from the port A input FIFO will be blocked. Fh = no backpressure
reserved	15:14	RW	Reserved. Must always be "00"

**Table 116 - Port A Overflow Register 0**

<b>Address: 62Eh</b>			
<b>Label: porta_overflow1</b>			
<b>Reset Value: 000Fh</b>			
Label	Bit Position	Type	Description
ia_oc_cell_max	3:0	RW	If the cell fill of the port C output FIFO becomes greater than this value, cells from the port A input FIFO will be blocked. Fh = no backpressure
reserved	15:4	RW	Reserved. Must always be "0000_0000_0000"

**Table 117 - Port A Overflow Register 1**

<b>Address: 630h</b>			
<b>Label: porta_cell_arrival_high</b>			
<b>Reset Value: 0000h</b>			
Label	Bit Position	Type	Description
ia_arr[31:16]	15:0	CNT	Counter of the number of cells received from port A

**Table 118 - Port A Cell Arrival Counter (High Word)**

<b>Address: 632h</b>			
<b>Label: porta_cell_arrival_low</b>			
<b>Reset Value: 0000h</b>			
Label	Bit Position	Type	Description
ia_arr[15:0]	15:0	CNT	Counter of the number of cells received from port A

Table 119 - Port A Cell Arrival Counter (Low Word)

<b>Address: 634h</b>			
<b>Label: porta_cell_departure_high</b>			
<b>Reset Value: 0000h</b>			
Label	Bit Position	Type	Description
oa_dep[31:16]	15:0	CNT	Counter of the number of cells sent onto port A

Table 120 - Port A Cell Departure Counter (High Word)

<b>Address: 636h</b>			
<b>Label: porta_cell_departure_low</b>			
<b>Reset Value: 0000h</b>			
Label	Bit Position	Type	Description
oa_dep[15:0]	15:0	CNT	Counter of the number of cells sent onto port A

Table 121 - Port A Cell Departure Counter (Low Word)

<b>Address: 640h</b>			
<b>Label: portb_look_up_base</b>			
<b>Reset Value: 0000h</b>			
Label	Bit Position	Type	Description
lutb_base	3:0	RW	LUT Base address in megabytes.
lutb_size	5:4	RW	"00"=128K VC; "01"=256K VC; "10"=512K VC; "11"=1024K VC.
reserved	15:6	RW	Reserved. Must always be "0000_0000_00"

Table 122 - Port B LUT Base Address Register

<b>Address: 642h</b>			
<b>Label: portb_concatenation</b>			
<b>Reset Value: 0000h</b>			
Label	Bit Position	Type	Description
vci_nb	4:0	RW	Number of VCI bits in look-up table.
reserved	15:5	RW	Reserved. Must always be "0000_0000_000"

Table 123 - Port B VCI Bits in LUT



<b>Address: 644h</b> <b>Label: portb_vpi_match</b> <b>Reset Value: 0000h</b>			
Label	Bit Position	Type	Description
vpi_matchb	11:0	RW	For a cell from port B to be considered valid, any bits in its VPI whose corresponding bits in reg 646h are '1' must have the value contained in this register.
reserved	15:12	RW	Reserved. Must always be "0000"

**Table 124 - Port B VPI Match Register**

<b>Address: 646h</b> <b>Label: portb_vpi_mask</b> <b>Reset Value: 0000h</b>			
Label	Bit Position	Type	Description
vpi_maskb	11:0	RW	For a cell from port B to be considered valid, any bits in its VPI whose corresponding bits in this register are '1' must have the value contained in reg 644h.
reserved	15:12	RW	Reserved. Must always be "0000"

**Table 125 - Port B VPI Mask Register**

<b>Address: 648h</b> <b>Label: portb_vci_match</b> <b>Reset Value: 0000h</b>			
Label	Bit Position	Type	Description
vci_matchb	15:0	RW	For a cell from port B to be considered valid, any bits in its VCI whose corresponding bits in reg 64Ah are '1' must have the value contained in this register.

**Table 126 - Port B VCI Match Register**

<b>Address: 64Ah</b> <b>Label: portb_vci_mask</b> <b>Reset Value: 0000h</b>			
Label	Bit Position	Type	Description
vci_maskb	15:0	RW	For a cell from port B to be considered valid, any bits in its VCI whose corresponding bits in this register are '1' must have the value contained in reg 648h.

**Table 127 - Port B VCI Mask Register**

<b>Address: 64Ch</b>			
<b>Label: portb_overflow0</b>			
<b>Reset Value: 1108h</b>			
Label	Bit Position	Type	Description
ib_rx_cell_max	5:0	RW	If the cell fill of the RX SAR output FIFO becomes greater than this value, cells from the port B input FIFO will be blocked. 3Fh = no backpressure
ib_oa_cell_max	9:6	RW	If the cell fill of the port A output FIFO becomes greater than this value, cells from the port B input FIFO will be blocked. Fh = no backpressure
ib_ob_cell_max	13:10	RW	If the cell fill of the port B output FIFO becomes greater than this value, cells from the port B input FIFO will be blocked. Fh = no backpressure
reserved	15:14	RW	Reserved. Must always be "00"

Table 128 - Port B Overflow Register 0

<b>Address: 64Eh</b>			
<b>Label: portb_overflow1</b>			
<b>Reset Value: 004h</b>			
Label	Bit Position	Type	Description
ib_oc_cell_max	3:0	RW	If the cell fill of the port C output FIFO becomes greater than this value, cells from the port B input FIFO will be blocked. Fh = no backpressure
reserved	15:4	RW	Reserved. Must always be "0000_0000_0000"

Table 129 - Port B Overflow Register 1

<b>Address: 650h</b>			
<b>Label: portb_cell_arrival_high</b>			
<b>Reset Value: 0000h</b>			
Label	Bit Position	Type	Description
ib_arr[31:16]	15:0	CNT	Counter of the number of cells received from port B

Table 130 - Port B Cell Arrival Counter (High Word)

<b>Address: 652h</b>			
<b>Label: portb_cell_arrival_low</b>			
<b>Reset Value: 0000h</b>			
Label	Bit Position	Type	Description
ib_arr[15:0]	15:0	CNT	Counter of the number of cells received from port B

Table 131 - Port B Cell Arrival Counter (Low Word)

<b>Address: 654h</b>			
<b>Label: portb_cell_departure_high</b>			
<b>Reset Value: 0000h</b>			
Label	Bit Position	Type	Description
ob_dep[31:16]	15:0	CNT	Counter of the number of cells sent onto port B

Table 132 - Port B Cell Departure Counter (High Word)

<b>Address: 656h</b>			
<b>Label: portb_cell_departure_low</b>			
<b>Reset Value: 0000h</b>			
Label	Bit Position	Type	Description
ob_dep[15:0]	15:0	CNT	Counter of the number of cells sent onto port B

Table 133 - Port B Cell Departure Counter (Low Word)

<b>Address: 660h</b>			
<b>Label: portc_look_up_base</b>			
<b>Reset Value: 0000h</b>			
Label	Bit Position	Type	Description
lutc_base	3:0	RW	LUT Base address in megabytes.
lutc_size	5:4	RW	"00"=128K VC; "01"=256K VC; "10"=512K VC; "11"=1024K VC.
reserved	15:6	RW	Reserved. Must always be "0000_0000_00"

Table 134 - Port C LUT Base Address Register

<b>Address: 662h</b>			
<b>Label: portc_concatenation</b>			
<b>Reset Value: 0000h</b>			
Label	Bit Position	Type	Description
vci_nc	4:0	RW	Number of VCI bits in look-up table.
reserved	15:5	RW	Reserved. Must always be "0000_0000_000"

Table 135 - Port C VCI Bits in LUT

<b>Address: 664h</b>			
<b>Label: portc_vpi_match</b>			
<b>Reset Value: 0000h</b>			
Label	Bit Position	Type	Description
vpi_matchc	11:0	RW	For a cell from port C to be considered valid, any bits in its VPI whose corresponding bits in reg 666h are '1' must have the value contained in this register.
reserved	15:12	RW	Reserved. Must always be "0000"

**Table 136 - Port C VPI Match Register**

<b>Address: 666h</b>			
<b>Label: portc_vpi_mask</b>			
<b>Reset Value: 0000h</b>			
Label	Bit Position	Type	Description
vpi_maskc	11:0	RW	For a cell from port C to be considered valid, any bits in its VPI whose corresponding bits in this register are '1' must have the value contained in reg 664h.
reserved	15:12	RW	Reserved. Must always be "0000"

**Table 137 - Port C VPI Mask Register**

<b>Address: 668h</b>			
<b>Label: portc_vci_match</b>			
<b>Reset Value: 0000h</b>			
Label	Bit Position	Type	Description
vci_matchc	15:0	RW	For a cell from port C to be considered valid, any bits in its VCI whose corresponding bits in reg 66Ah are '1' must have the value contained in this register.

**Table 138 - Port C VCI Match Register**

<b>Address: 66Ah</b>			
<b>Label: portc_vci_mask</b>			
<b>Reset Value: 0000h</b>			
Label	Bit Position	Type	Description
vci_maskc	15:0	RW	For a cell from port C to be considered valid, any bits in its VCI whose corresponding bits in this register are '1' must have the value contained in reg 668h.

**Table 139 - Port C VCI Mask Register**

<b>Address: 66Ch</b>			
<b>Label: portc_overflow0</b>			
<b>Reset Value: 1108h</b>			
Label	Bit Position	Type	Description
ic_rx_cell_max	5:0	RW	If the cell fill of the RX SAR output FIFO becomes greater than this value, cells from the port C input FIFO will be blocked. 3Fh = no backpressure
ic_oa_cell_max	9:6	RW	If the cell fill of the port A output FIFO becomes greater than this value, cells from the port C input FIFO will be blocked. Fh = no backpressure
ic_ob_cell_max	13:10	RW	If the cell fill of the port B output FIFO becomes greater than this value, cells from the port C input FIFO will be blocked. Fh = no backpressure
reserved	15:14	RW	Reserved. Must always be "00"

Table 140 - Port C Overflow Register 0

<b>Address: 66Eh</b>			
<b>Label: portc_overflow1</b>			
<b>Reset Value: 004h</b>			
Label	Bit Position	Type	Description
ic_oc_cell_max	3:0	RW	If the cell fill of the port C output FIFO becomes greater than this value, cells from the port C input FIFO will be blocked. Fh = no backpressure
reserved	15:4	RW	Reserved. Must always be "0000_0000_0000"

Table 141 - Port C Overflow Register 1

<b>Address: 670h</b>			
<b>Label: portc_cell_arrival_high</b>			
<b>Reset Value: 0000h</b>			
Label	Bit Position	Type	Description
ic_arr[31:16]	15:0	CNT	Counter of the number of cells received from port C

Table 142 - Port C Cell Arrival Counter (High Word)

<b>Address: 672h</b>			
<b>Label: portc_cell_arrival_low</b>			
<b>Reset Value: 0000h</b>			
Label	Bit Position	Type	Description
ic_arr[15:0]	15:0	CNT	Counter of the number of cells received from port C

Table 143 - Port C Cell Arrival Counter (Low Word)

<b>Address: 674h</b>			
<b>Label: portc_cell_departure_high</b>			
<b>Reset Value: 0000h</b>			
Label	Bit Position	Type	Description
oc_dep[31:16]	15:0	CNT	Counter of the number of cells sent onto port C

Table 144 - Port C Cell Departure Counter (High Word)

<b>Address: 676h</b>			
<b>Label: portc_cell_departure_low</b>			
<b>Reset Value: 0000h</b>			
Label	Bit Position	Type	Description
oc_dep[15:0]	15:0	CNT	Counter of the number of cells sent onto port C

Table 145 - Port C Cell Departure Counter (Low Word)

<b>Address: 680h</b>			
<b>Label: aal0_cell_arrival_high</b>			
<b>Reset Value: 0000h</b>			
Label	Bit Position	Type	Description
aal0_arr[31:16]	15:0	CNT	Counter of the number of cells received from AAL0 FIFO

Table 146 - AAL0 Cell Arrival Counter (High Word)

<b>Address: 682h</b>			
<b>Label: aal0_cell_arrival_low</b>			
<b>Reset Value: 0000h</b>			
Label	Bit Position	Type	Description
aal0_arr[15:0]	15:0	CNT	Counter of the number of cells received from AAL0 FIFO

Table 147 - AAL0 Cell Arrival Counter (Low Word)

<b>Address: 688h</b>			
<b>Label: aal0_overflow0</b>			
<b>Reset Value: 1108h</b>			
Label	Bit Position	Type	Description
aal0_rx_cell_max	5:0	RW	If the cell fill of the RX SAR output FIFO becomes greater than this value, cells from the AAL0 input FIFO will be blocked. 3Fh = no backpressure
aal0_oa_cell_max	9:6	RW	If the cell fill of the port A output FIFO becomes greater than this value, cells from the AAL0 input FIFO will be blocked. Fh = no backpressure

Table 148 - AAL0 Overflow Register 0

<b>Address: 688h</b>			
<b>Label: aal0_overflow0</b>			
<b>Reset Value: 1108h</b>			
Label	Bit Position	Type	Description
aal0_ob_cell_max	13:10	RW	If the cell fill of the port B output FIFO becomes greater than this value, cells from the AAL0 input FIFO will be blocked. Fh = no backpressure
reserved	15:14	RW	Reserved. Must always be "00"

Table 148 - AAL0 Overflow Register 0

<b>Address: 68Ah</b>			
<b>Label: aal0_overflow1</b>			
<b>Reset Value: 004h</b>			
Label	Bit Position	Type	Description
aal0_oc_cell_max	3:0	RW	If the cell fill of the port C output FIFO becomes greater than this value, cells from the AAL0 input FIFO will be blocked. Fh = no backpressure
reserved	15:4	RW	Reserved. Must always be "0000_0000_0000"

Table 149 - AAL0 Overflow Register 1

<b>Address: 690h</b>			
<b>Label: tx_sar_cell_arrival_high</b>			
<b>Reset Value: 0000h</b>			
Label	Bit Position	Type	Description
tx_arr[31:16]	15:0	CNT	Counter of the number of cells received from TX SAR

Table 150 - TX\_SAR Cell Arrival Counter (High Word)

<b>Address: 692h</b>			
<b>Label: tx_sar_cell_arrival_low</b>			
<b>Reset Value: 0001h</b>			
Label	Bit Position	Type	Description
tx_arr[15:0]	15:0	CNT	Counter of the number of cells received from TX SAR. It is 1 after reset.

Table 151 - TX\_SAR Cell Arrival Counter (Low Word)

<b>Address: 694h</b>			
<b>Label: rx_sar_cell_departure_high</b>			
<b>Reset Value: 0000h</b>			
Label	Bit Position	Type	Description
rx_dep[31:16]	15:0	CNT	Counter of the number of cells sent to RX SAR

Table 152 - RX\_SAR Cell Departure Counter (High Word)

<b>Address: 696h</b>			
<b>Label: rx_sar_cell_departure_low</b>			
<b>Reset Value: 0000h</b>			
Label	Bit Position	Type	Description
rx_dep[15:0]	15:0	CNT	Counter of the number of cells sent to RX SAR

Table 153 - RX\_SAR Cell Departure Counter (Low Word)

<b>Address: 698h</b>			
<b>Label: tx_sar_overflow0</b>			
<b>Reset Value: 3F3Fh</b>			
Label	Bit Position	Type	Description
tx_rx_cell_max	5:0	RW	If the cell fill of the RX SAR output FIFO becomes greater than this value, cells from the TX SAR input FIFO will be blocked. 3Fh = no backpressure
tx_oa_cell_max	9:6	RW	If the cell fill of the port A output FIFO becomes greater than this value, cells from the TX SAR input FIFO will be blocked. Fh = no backpressure
tx_ob_cell_max	13:10	RW	If the cell fill of the port B output FIFO becomes greater than this value, cells from the TX SAR input FIFO will be blocked. Fh = no backpressure
reserved	15:14	RW	Reserved. Must always be "00"

Table 154 - TX\_SAR Overflow Register 0

<b>Address: 69Ah</b>			
<b>Label: tx_sar_overflow1</b>			
<b>Reset Value: 000Fh</b>			
Label	Bit Position	Type	Description
tx_oc_cell_max	3:0	RW	If the cell fill of the port C output FIFO becomes greater than this value, cells from the TX SAR input FIFO will be blocked. Fh = no backpressure
reserved	15:4	RW	Reserved. Must always be "0000_0000_0000"

Table 155 - TX\_SAR Overflow Register 1



<b>Address: 6A0h</b> <b>Label: porta_address</b> <b>Reset Value: 0000h</b>			
Label	Bit Position	Type	Description
porta_add	4:0	RW	The address to which the chip will respond in UTOPIA level 2 addressing.
reserved	15:5	RW	Reserved. Must always be "0000_0000_000"

**Table 156 - Port A Address Register**

<b>Address: 6A2h</b> <b>Label: hec_byte_control</b> <b>Reset Value: 0055h</b>			
Label	Bit Position	Type	Description
hec_mask	7:0	RW	The value by which the HEC byte will be XORed before being transmitted.
reserved	15:8	RW	Reserved. Must always be "0000_0000"

**Table 157 - HEC Byte Control Register**

<b>Address: 6A4h</b> <b>Label: unknown_header_routing</b> <b>Reset Value: 0000h</b>			
Label	Bit Position	Type	Description
rx_a_ncr	3:0	RW	Routing of non-OAM cells from port A that fail the VPI-VCI match and mask test. "xxx1" = send to port A, "xx1x" = send to port B, "x1xx" = send to port C, "1xxx" = send to AAL0.
rx_b_ncr	7:4	RW	Routing of non-OAM cells from port B that fail the VPI-VCI match and mask test. "xxx1" = send to port A, "xx1x" = send to port B, "x1xx" = send to port C, "1xxx" = send to AAL0.
rx_c_ncr	11:8	RW	Routing of non-OAM cells from port C that fail the VPI-VCI match and mask test. "xxx1" = send to port A, "xx1x" = send to port B, "x1xx" = send to port C, "1xxx" = send to AAL0.
reserved	15:12	RW	Reserved. Must always be "0000"

**Table 158 - Unknown Header Routing Register**

Address: 6A6h Label: unknown_oam_routing Reset Value: 0000h			
Label	Bit Position	Type	Description
rxa_ocr	3:0	RW	Routing of OAM cells from port A that fail the VPI-VCI match and mask test. "xxx1" = send to port A, "xx1x" = send to port B, "x1xx" = send to port C, "1xxx" = send to AAL0.
rxb_ocr	7:4	RW	Routing of OAM cells from port B that fail the VPI-VCI match and mask test. "xxx1" = send to port A, "xx1x" = send to port B, "x1xx" = send to port C, "1xxx" = send to AAL0.
rxc_ocr	11:8	RW	Routing of OAM cells from port C that fail the VPI-VCI match and mask test. "xxx1" = send to port A, "xx1x" = send to port B, "x1xx" = send to port C, "1xxx" = send to AAL0.
reserved	15:12	RW	Reserved. Must always be "0000"

Table 159 - Unknown OAM Routing Register

## 3.7 H.100/H.110 Registers

Address: 700h Label: control Reset Value: 0000h			
Label	Bit Position	Type	Description
pll_clk_in_frequency	1:0	RW	"00" = 8.192 MHz; "01" = 16.384 MHz; "10" = 32.768 MHz; "11" = 65.536 MHz.
global_oe	2	RW	'0' = internal loopback (all OEs disabled); '1' = global OE enabled.
number_of_active_streams	4:3	RW	"00" = 32 active streams; "01" = 16 active streams; "10" = 8 active streams; "11" = 4 active streams.
h100_ct_c8_frame_loopback	5	RW	When '1', the ct_c8_X and ct_frame_X are looped back internally, without the need of going out on the actual pins. '0' for normal operation.
tdm_stream_format	13:6	RW	Each bit represents a quad of TDM streams. Bit 6 is quad 0. '0' = Format A; '1' = Format B.
reserved	14	RW	Reserved. Must always be '0'.
test_status	15	TS	Reserved. Must always be "0".

Table 160 - H.100/H.110 Control Register

Address: 702h Label: status0 Reset Value: 0000h			
Label	Bit Position	Type	Description
mem_clk_alarm0	0	ROL	Alarm that can be used to generate a programmable interval interrupt (mem_clk Alarm Timer 0). This bit is set when the mem_clk_count[31:16] matches the mem_clk_alarm0_count. Write a 1 to clear the bit.
mem_clk_alarm1	1	ROL	Alarm that can be used to generate a programmable interval interrupt (mem_clk Alarm Timer 1). This bit is set when the mem_clk_count[31:16] matches the mem_clk_alarm1_count. Write a 1 to clear the bit.
ct_frame_a_bad	2	ROL	When the ct_frame_a is considered bad by the hardware, this bit is set. The frame is considered bad if it is not low one cycle out of 1024. Write a 1 to clear the bit.
ct_frame_b_bad	3	ROL	When the ct_frame_b is considered bad by the hardware, this bit is set. The frame is considered bad if it is not low one cycle out of 1024. Write a 1 to clear the bit.
ct_c8_a_bad	4	ROL	When the ct_c8_a is considered bad by the hardware, this bit is set. The clock is considered bad if its rising edges are too close or too far apart(i.e. if the rising edge does not arrive within 35 ns to the expected position). Write a 1 to clear the bit.
ct_c8_b_bad	5	ROL	When the ct_c8_b is considered bad by the hardware, this bit is set. The clock is considered bad if its rising edges are too close or too far apart(i.e. if the rising edge does not arrive within 35 ns to the expected position). Write a 1 to clear the bit.
adapa_point_lost	6	ROL	When a point is lost due to too much latency to the external memory, this bit is set. This is not a fatal error, but an indication that this phenomenon occurred. Point lost must be compensated for by software using the UUI field in each point. Write a 1 to clear the bit.
adapb_point_lost	7	ROL	When a point is lost due to too much latency to the external memory, this bit is set. This is not a fatal error, but an indication that this phenomenon occurred. Point lost must be compensated for by software using the UUI field in each point. Write a 1 to clear the bit.
tx_time_slot_pnt_out_of_sync	8	ROL	When this bit is high, the H.100 slave has lost its framing on the bus. This bit will cause the H.100 data pins to be tri-stated. Note that this bit will always be set at start-up. Write a 1 to clear the bit.
Reserved	11:9	ROL	Reserved. Must always be "000"
ct_frame_a_bad_rol	12	ROL	Same as bit 2, except this bit has no effect on the slaveship state.
ct_frame_b_bad_rol	13	ROL	Same as bit 3, except this bit has no effect on the slaveship state.
ct_c8_a_bad_rol	14	ROL	Same as bit 4, except this bit has no effect on the slaveship state.
ct_c8_b_bad_rol	15	ROL	Same as bit 5, except this bit has no effect on the slaveship state.

Table 161 - H.100/H.110 Status Register 0

<b>Address: 704h</b>			
<b>Label: status0_ie</b>			
<b>Reset Value: 0000h</b>			
<b>Label</b>	<b>Bit Position</b>	<b>Type</b>	<b>Description</b>
mem_clk_alarm0_ie	0	IE	When '1' and the corresponding status bit is '1' an interrupt will be generated.
mem_clk_alarm1_ie	1	IE	When '1' and the corresponding status bit is '1' an interrupt will be generated.
ct_frame_a_bad_ie	2	IE	When '1' and the corresponding status bit is '1' an interrupt will be generated.
ct_frame_b_bad_ie	3	IE	When '1' and the corresponding status bit is '1' an interrupt will be generated.
ct_c8_a_bad_ie	4	IE	When '1' and the corresponding status bit is '1' an interrupt will be generated.
ct_c8_b_bad_ie	5	IE	When '1' and the corresponding status bit is '1' an interrupt will be generated.
adapa_point_lost_ie	6	IE	When '1' and the corresponding status bit is '1' an interrupt will be generated.
adapb_point_lost_ie	7	IE	When '1' and the corresponding status bit is '1' an interrupt will be generated.
tx_time_slot_pnt_out_of_sync_ie	8	IE	When '1' and the corresponding status bit is '1' an interrupt will be generated.
Reserved	11:9	RO	Reserved. Must always be "000"
ct_frame_a_bad_rol_ie	12	IE	When '1' and the corresponding status bit is '1' an interrupt will be generated.
ct_frame_b_bad_rol_ie	13	IE	When '1' and the corresponding status bit is '1' an interrupt will be generated.
ct_c8_a_bad_rol_ie	14	IE	When '1' and the corresponding status bit is '1' an interrupt will be generated.
ct_c8_b_bad_rol_ie	15	IE	When '1' and the corresponding status bit is '1' an interrupt will be generated.

**Table 162 - H.100/H.110 Interrupt Enable Register 0**

<b>Address: 708h</b> <b>Label: mem_clk_count0</b> <b>Reset Value: 0000h</b>			
Label	Bit Position	Type	Description
mem_clk_count[31:16]	15:0	RO	Free-running mem_clk counter.

Table 163 - Memory Clock Counter 0

<b>Address: 70Ah</b> <b>Label: mem_clk_count1</b> <b>Reset Value: 0000h</b>			
Label	Bit Position	Type	Description
mem_clk_count[15:0]	15:0	RO	Free-running mem_clk counter.

Table 164 - Memory Clock Counter 1

<b>Address: 70Ch</b> <b>Label: mem_clk_alarm0</b> <b>Reset Value: 0000h</b>			
Label	Bit Position	Type	Description
mem_clk_alarm0_count	15:0	RW	Alarm Timer 0 Value. When this value first matches the mem_clk_count[31:16], a status bit is set.

Table 165 - Memory Clock Alarm Register 0

<b>Address: 70Eh</b> <b>Label: mem_clk_alarm1</b> <b>Reset Value: 0000h</b>			
Label	Bit Position	Type	Description
mem_clk_alarm1_count	15:0	RW	Alarm Timer 1 Value. When this value first matches the mem_clk_count[31:16], a status bit is set.

Table 166 - Memory Clock Alarm Register 1

<b>Address: 710h</b> <b>Label: adapa0</b> <b>Reset Value: 0001h</b>			
Label	Bit Position	Type	Description
Adapa_keep_one_pulse_out_of_x	9:0	RW	This field indicates how many clock recovery points should be received per point written to the point memory. Typically, this value would be set to 1. Range 1 to 1024.

Table 167 - Adaptive Module A Register 0

Address: 710h Label: adapa0 Reset Value: 0001h			
Label	Bit Position	Type	Description
Adapa_clk_divisor_reset	10	RW	When '0', this will force the Adaptive module A's clock divisor to reset.
Adapa_source	12:11	RW	"00" = clkrecov_pulse_a; "01" = gpio[0] (any change); "10" = gpio[0] (rising edge); "11" = gpio[0] (falling edge).
adapa_clk_divisor_load_now	13	PUL	When written to '1', this will allow the new div_integer and div_fraction to be used.
Reserved	15:14	PUL	Reserved. Always read as "00"

Table 167 - Adaptive Module A Register 0

Address: 712h Label: adapa1 Reset Value: 0002h			
Label	Bit Position	Type	Description
adapa_div_integer	15:0	RW	Adaptive module A's mem_clk divisor (integer part). Range 2 to FFFFh.

Table 168 - Adaptive Module A Register 1

Address: 714h Label: adapa2 Reset Value: 0000h			
Label	Bit Position	Type	Description
Adapa_div_fraction	15:0	RW	Adaptive module A's mem_clk divisor (fractional part). Range 0 to FFFFh.

Table 169 - Adaptive Module A Register 2

Address: 718h Label: adapb0 Reset Value: 0001h			
Label	Bit Position	Type	Description
Adapb_keep_one_pulse_out_of_x	9:0	RW	This field indicates how many clock recovery points should be received per point written to the point memory. Typically, this value would be set to 1. Range 1 to 1024.
Adapb_clk_divisor_reset	10	RW	When '0', this will force the Adaptive module B's clock divisor to reset.
Adapb_source	12:11	RW	"00" = clkrecov_pulse_b; "01" = gpio[1] (any change); "10" = gpio[1] (rising edge); "11" = gpio[1] (falling edge).
Adapb_clk_divisor_load_now	13	PUL	When written to '1', this will allow the new div_integer and div_fraction to be used.
Reserved	15:14	PUL	Reserved. Always read as "00"

Table 170 - Adaptive Module B Register 0

Address: 71Ah Label: adapb1 Reset Value: 0000h			
Label	Bit Position	Type	Description
Adapb_div_integer	15:0	RW	Adaptive module B's mem_clk divisor (integer part). Range 2 to FFFFh.

Table 171 - Adaptive Module B Register 1

Address: 71Ch Label: adapb2 Reset Value: 0000h			
Label	Bit Position	Type	Description
adapb_div_fraction	15:0	RW	Adaptive module B's mem_clk divisor (fractional part). Range 0 to FFFFh.

Table 172 - Adaptive Module B Register 2

<b>Address: 720h</b>			
<b>Label: mastership0</b>			
<b>Reset Value: 0200h</b>			
<b>Label</b>	<b>Bit Position</b>	<b>Type</b>	<b>Description</b>
ct_c8_frame_a_oe	0	RW	Controls the output enable of the ct_c8_a and ct_frame_a. '0' = tri-state; '1' = drive pins.
ct_c8_frame_b_oe	1	RW	Controls the output enable of the ct_c8_b and ct_frame_b. '0' = tri-state; '1' = drive pins.
ct_compatibility_oe	2	RW	Controls the output enable of the H100 compatibility signals. '0' = tri-state; '1' = drive pins.
reserved	4:3	RO	Reserved. Always read as "00"
fr_comp_polarity	5	RW	fr_comp pin polarity. '0' = Active low; '1' = active high.
fr_comp_type	7:6	RW	fr_comp pin timing type. "00"=straddle clock boundary; "01"= active during last bit; "10" = active during first bit; "11" = reserved.
fr_comp_frequency	9:8	RW	fr_comp frequency (pulse width). "00" = fr_comp related clock frequency at 2 MHz; "01" = fr_comp related clock frequency at 4 MHz; "10" = fr_comp related clock frequency at 8 MHz; "11"=reserved.
sclk_invert	10	RW	When '1', it inverts the sclk polarity as defined in the H100 Specifications.
sclkx2_invert	11	RW	When '1', it inverts the sclkx2 polarity as defined in the H100 Specifications.
sclk_frequency	13:12	RW	Selects the sclk frequency for the generation of sclk and sclk2. "00" = 2 MHz; "01" = 4 MHz; "10" = 8 MHz; "11" = reserved.
reserved	15:14	RW	Reserved. Must always be "00"

**Table 173 - H.100/H.110 Master Register 0**

<b>Address: 722h</b>			
<b>Label: mastership1</b>			
<b>Reset Value: 0002h</b>			
<b>Label</b>	<b>Bit Position</b>	<b>Type</b>	<b>Description</b>
mastership_mode	1:0	RW	Selects the mode of the Master Circuitry. "00" = backup on A; "01" = backup on B; "10" = master on A; "11" = master on B. When ct_c8_frame_a_oe, ct_c8_frame_b_oe, ct_compatibility_oe are '0', this value does not matter.
slaveship_mode	3:2	RW	Selects the mode of the Slave Circuitry. "00" = Track ct_c8_a & ct_frame_a; "01" = Track ct_c8_b & ct_frame_b; "10" = Track ct_c8_a & ct_frame_a, but if they fail track ct_c8_b & ct_frame_b; "11" = Track ct_c8_b & ct_frame_b, but if they fail track ct_c8_a & ct_frame_a.
reserved	15:4	RW	Reserved. Must always be "0000_0000_0000"

**Table 174 - H.100/H.110 Master Register 1**



Address: 730h Label: clock_rates Reset Value: AAAAh			
Label	Bit Position	Type	Description
groupa_speed	1:0	RW	Selects the clock speed of H100 streams ct_c[3:0]. "00" = 2 MHz; "01" = 4 MHz; "10" = 8 MHz; "11" = reserved.
groupb_speed	3:2	RW	Selects the clock speed of H100 streams ct_c[7:4]. "00" = 2 MHz; "01" = 4 MHz; "10" = 8 MHz; "11" = reserved.
groupc_speed	5:4	RW	Selects the clock speed of H100 streams ct_c[11:8]. "00" = 2 MHz; "01" = 4 MHz; "10" = 8 MHz; "11" = reserved.
groupd_speed	7:6	RW	Selects the clock speed of H100 streams ct_c[15:12]. "00" = 2 MHz; "01" = 4 MHz; "10" = 8 MHz; "11" = reserved.
groupe_speed	9:8	RW	Selects the clock speed of H100 streams ct_c[19:16]. "00" = 2 MHz; "01" = 4 MHz; "10" = 8 MHz; "11" = reserved.
groupf_speed	11:10	RW	Selects the clock speed of H100 streams ct_c[23:20]. "00" = 2 MHz; "01" = 4 MHz; "10" = 8 MHz; "11" = reserved.
groupg_speed	13:12	RW	Selects the clock speed of H100 streams ct_c[27:24]. "00" = 2 MHz; "01" = 4 MHz; "10" = 8 MHz; "11" = reserved.
grouph_speed	15:14	RW	Selects the clock speed of H100 streams ct_c[31:28]. "00" = 2 MHz; "01" = 4 MHz; "10" = 8 MHz; "11" = reserved.

Table 175 - Clock Rates Register

Address: 732h Label: timing_conf Reset Value: 0000h			
Label	Bit Position	Type	Description
slave_sampling	1:0	RW	Selects sampling point for the ct_d pins. The sampling point is relative to the ct_c8 clock period. "00" = falling edge; "01" = 75%; "10" = rising-edge; "11" = reserved.
oe_early_disable_override	2	RW	Selects if the ct_d output should be tri-stated before the rising edge of the ct_c8 clock or immediately after it. '0' = output enable asserted after rising edge and de-asserted before rising edge; '1' = output enable asserted and de-asserted after rising edge.
reserved	15:3	RW	Reserved. Must always be "0000_0000_0000_0"

Table 176 - Timing Configuration Register

Address: 740h Label: gpio_out_reg0 Reset Value: 0000h			
Label	Bit Position	Type	Description
gpio_0_output_select	4:0	RW	Output mux selector. "00000"=ct_c8_a_in; "00001"=ct_c8_b_in; "00010"=ct_frame_a_in; "00011"=ct_frame_b_in; "00100"=ct_c8_selected; "00101"=ct_frame_selected; "00110"=output_constant ('0'/'1'); "00111"=ct_netref1_in; "01000"=ct_netref2_in; "01001"=gpio_in(0); "01010"=gpio_in(1); "01011"=gpio_in(2); "01100"=gpio_in(3); "01101"=gpio_in(4); "01110"=gpio_in(5); "01111"=gpio_in(6); "10000"=gpio_in(7); "10001"=adapa_ref; "10010"=adapb_ref; "10011"=clkrecov_pulse_a; "10100"=clkrecov_pulse_b; "10101"=mc_clock; "10110"=ct_mc_in.
gpio_0_output_constant	5	RW	If the gpio_X_output_select selects a constant, this value will be sent out on the gpio_X pin.
gpio_0_output_enable	6	RW	gpio_X pin output enable. '0'= tri-state; '1'= output enabled.
Reserved	7	RO	Reserved. Always read as "0"
gpio_1_output_select	12:8	RW	Output mux selector. "00000"=ct_c8_a_in; "00001"=ct_c8_b_in; "00010"=ct_frame_a_in; "00011"=ct_frame_b_in; "00100"=ct_c8_selected; "00101"=ct_frame_selected; "00110"=output_constant ('0'/'1'); "00111"=ct_netref1_in; "01000"=ct_netref2_in; "01001"=gpio_in(0); "01010"=gpio_in(1); "01011"=gpio_in(2); "01100"=gpio_in(3); "01101"=gpio_in(4); "01110"=gpio_in(5); "01111"=gpio_in(6); "10000"=gpio_in(7); "10001"=adapa_ref; "10010"=adapb_ref; "10011"=clkrecov_pulse_a; "10100"=clkrecov_pulse_b; "10101"=mc_clock; "10110"=ct_mc_in.
gpio_1_output_constant	13	RW	If the gpio_X_output_select selects a constant, this value will be sent out on the gpio_X pin.
gpio_1_output_enable	14	RW	gpio_X pin output enable. '0'= tri-state; '1'= output enabled.
Reserved	15	RO	Reserved. Always read as "0"

Table 177 - General Purpose I/O Output Register 0

Address: 742h Label: gpio_out_reg1 Reset Value: 0000h			
Label	Bit Position	Type	Description
gpio_2_output_select	4:0	RW	Output mux selector. "00000"=ct_c8_a_in; "00001"=ct_c8_b_in; 00010=ct_frame_a_in; "00011"=ct_frame_b_in; "00100"=ct_c8_selected; "00101"=ct_frame_selected; "00110"=output_constant ('0/'1'); "00111"=ct_netref1_in; "01000"=ct_netref2_in; "01001"=gpio_in(0); "01010"=gpio_in(1); "01011"=gpio_in(2); "01100"=gpio_in(3); "01101"=gpio_in(4); "01110"=gpio_in(5); "01111"=gpio_in(6); "10000"=gpio_in(7); "10001"=adapa_ref; "10010"=adapb_ref; "10011"=clkrecov_pulse_a; "10100"=clkrecov_pulse_b; "10101"=mc_clock; "10110"=ct_mc_in.
gpio_2_output_constant	5	RW	If the gpio_X_output_select selects a constant, this value will be sent out on the gpio_X pin.
gpio_2_output_enable	6	RW	gpio_X pin output enable. '0'= tri-state; '1'= output enabled.
reserved	7	RO	Reserved. Always read as "0"
gpio_3_output_select	12:8	RW	Output mux selector. "00000"=ct_c8_a_in; "00001"=ct_c8_b_in; 00010=ct_frame_a_in; "00011"=ct_frame_b_in; "00100"=ct_c8_selected; "00101"=ct_frame_selected; "00110"=output_constant ('0/'1'); "00111"=ct_netref1_in; "01000"=ct_netref2_in; "01001"=gpio_in(0); "01010"=gpio_in(1); "01011"=gpio_in(2); "01100"=gpio_in(3); "01101"=gpio_in(4); "01110"=gpio_in(5); "01111"=gpio_in(6); "10000"=gpio_in(7); "10001"=adapa_ref; "10010"=adapb_ref; "10011"=clkrecov_pulse_a; "10100"=clkrecov_pulse_b; "10101"=mc_clock; "10110"=ct_mc_in.
gpio_3_output_constant	13	RW	If the gpio_X_output_select selects a constant, this value will be sent out on the gpio_X pin.
gpio_3_output_enable	14	RW	gpio_X pin output enable. '0'= tri-state; '1'= output enabled.
reserved	15	RO	Reserved. Always read as "0"

Table 178 - General Purpose I/O Output Register 1

Address: 744h Label: gpio_out_reg2 Reset Value: 0000h			
Label	Bit Position	Type	Description
gpio_4_output_select	4:0	RW	Output mux selector. "00000"=ct_c8_a_in; "00001"=ct_c8_b_in; 00010=ct_frame_a_in; "00011"=ct_frame_b_in; "00100"=ct_c8_selected; "00101"=ct_frame_selected; "00110"=output_constant ('0'/'1'); "00111"=ct_netref1_in; "01000"=ct_netref2_in; "01001"=gpio_in(0); "01010"=gpio_in(1); "01011"=gpio_in(2); "01100"=gpio_in(3); "01101"=gpio_in(4); "01110"=gpio_in(5); "01111"=gpio_in(6); "10000"=gpio_in(7); "10001"=adapa_ref; "10010"=adapb_ref; "10011"=clkrecov_pulse_a; "10100"=clkrecov_pulse_b; "10101"=mc_clock; "10110"=ct_mc_in
gpio_4_output_constant	5	RW	If the gpio_X_output_select selects a constant, this value will be sent out on the gpio_X pin.
gpio_4_output_enable	6	RW	gpio_X pin output enable. '0'= tri-state; '1'= output enabled.
reserved	7	RO	Reserved. Always read as "0"
gpio_5_output_select	12:8	RW	Output mux selector. "00000"=ct_c8_a_in; "00001"=ct_c8_b_in; 00010=ct_frame_a_in; "00011"=ct_frame_b_in; "00100"=ct_c8_selected; "00101"=ct_frame_selected; "00110"=output_constant ('0'/'1'); "00111"=ct_netref1_in; "01000"=ct_netref2_in; "01001"=gpio_in(0); "01010"=gpio_in(1); "01011"=gpio_in(2); "01100"=gpio_in(3); "01101"=gpio_in(4); "01110"=gpio_in(5); "01111"=gpio_in(6); "10000"=gpio_in(7); "10001"=adapa_ref; "10010"=adapb_ref; "10011"=clkrecov_pulse_a; "10100"=clkrecov_pulse_b; "10101"=mc_clock; "10110"=ct_mc_in
gpio_5_output_constant	13	RW	If the gpio_X_output_select selects a constant, this value will be sent out on the gpio_X pin.
gpio_5_output_enable	14	RW	gpio_X pin output enable. '0'= tri-state; '1'= output enabled.
reserved	15	RO	Reserved. Always read as "0"

Table 179 - General Purpose I/O Output Register 2

Address: 746h Label: gpio_out_reg3 Reset Value: 0000h			
Label	Bit Position	Type	Description
gpio_6_output_select	4:0	RW	Output mux selector. "00000"=ct_c8_a_in; "00001"=ct_c8_b_in; 00010=ct_frame_a_in; "00011"=ct_frame_b_in; "00100"=ct_c8_selected; "00101"=ct_frame_selected; "00110"=output_constant ('0'/'1'); "00111"=ct_netref1_in; "01000"=ct_netref2_in; "01001"=gpio_in(0); "01010"=gpio_in(1); "01011"=gpio_in(2); "01100"=gpio_in(3); "01101"=gpio_in(4); "01110"=gpio_in(5); "01111"=gpio_in(6); "10000"=gpio_in(7); "10001"=adapa_ref; "10010"=adapb_ref; "10011"=clkrecov_pulse_a; "10100"=clkrecov_pulse_b; "10101"=mc_clock; "10110"=ct_mc_in
gpio_6_output_constant	5	RW	If the gpio_X_output_select selects a constant, this value will be sent out on the gpio_X pin.
gpio_6_output_enable	6	RW	gpio_X pin output enable. '0'= tri-state; '1'= output enabled.
reserved	7	RO	Reserved. Always read as "0"
gpio_7_output_select	12:8	RW	Output mux selector. "00000"=ct_c8_a_in; "00001"=ct_c8_b_in; 00010=ct_frame_a_in; "00011"=ct_frame_b_in; "00100"=ct_c8_selected; "00101"=ct_frame_selected; "00110"=output_constant ('0'/'1'); "00111"=ct_netref1_in; "01000"=ct_netref2_in; "01001"=gpio_in(0); "01010"=gpio_in(1); "01011"=gpio_in(2); "01100"=gpio_in(3); "01101"=gpio_in(4); "01110"=gpio_in(5); "01111"=gpio_in(6); "10000"=gpio_in(7); "10001"=adapa_ref; "10010"=adapb_ref; "10011"=clkrecov_pulse_a; "10100"=clkrecov_pulse_b; "10101"=mc_clock; "10110"=ct_mc_in
gpio_7_output_constant	13	RW	If the gpio_X_output_select selects a constant, this value will be sent out on the gpio_X pin.
gpio_7_output_enable	14	RW	gpio_X pin output enable. '0'= tri-state; '1'= output enabled.
reserved	15	RO	Reserved. Always read as "0"

Table 180 - General Purpose I/O Output Register 3

Address: 748h Label: gpio_out_reg4 Reset Value: 0000h			
Label	Bit Position	Type	Description
ct_netref1_output_select	4:0	RW	Output mux selector. "00000"=ct_c8_a_in; "00001"=ct_c8_b_in; 00010=ct_frame_a_in; "00011"=ct_frame_b_in; "00100"=ct_c8_selected; "00101"=ct_frame_selected; "00110"=output_constant ('0/'1'); "00111"=ct_netref1_in; "01000"=ct_netref2_in; "01001"=gpio_in(0); "01010"=gpio_in(1); "01011"=gpio_in(2); "01100"=gpio_in(3); "01101"=gpio_in(4); "01110"=gpio_in(5); "01111"=gpio_in(6); "10000"=gpio_in(7); "10001"=adapa_ref; "10010"=adapb_ref; "10011"=clkrecov_pulse_a; "10100"=clkrecov_pulse_b; "10101"=mc_clock; "10110"=ct_mc_in.
ct_netref1_output_constant	5	RW	If the ct_netrefX_select selects a constant, this value will be sent out on the ct_netrefX pin.
ct_netref1_output_enable	6	RW	ct_netrefX pin output enable. '0'= tri-state; '1'= output enabled.
reserved	7	RO	Reserved. Always read as "0"
ct_netref2_output_select	12:8	RW	Output mux selector. "00000"=ct_c8_a_in; "00001"=ct_c8_b_in; 00010=ct_frame_a_in; "00011"=ct_frame_b_in; "00100"=ct_c8_selected; "00101"=ct_frame_selected; "00110"=output_constant ('0/'1'); "00111"=ct_netref1_in; "01000"=ct_netref2_in; "01001"=gpio_in(0); "01010"=gpio_in(1); "01011"=gpio_in(2); "01100"=gpio_in(3); "01101"=gpio_in(4); "01110"=gpio_in(5); "01111"=gpio_in(6); "10000"=gpio_in(7); "10001"=adapa_ref; "10010"=adapb_ref; "10011"=clkrecov_pulse_a; "10100"=clkrecov_pulse_b; "10101"=mc_clock; "10110"=ct_mc_in
ct_netref2_output_constant	13	RW	If the ct_netrefX_select selects a constant, this value will be sent out on the ct_netrefX pin.
ct_netref2_output_enable	14	RW	ct_netrefX pin output enable. '0'= tri-state; '1'= output enabled.
reserved	15	RO	Reserved. Always read as "0"

Table 181 - General Purpose I/O Output Register 4

Address: 74Ah Label: gpio_in Reset Value: 0000h			
Label	Bit Position	Type	Description
gpio_0_value	0	RO	Current level of the corresponding pin.
gpio_1_value	1	RO	Current level of the corresponding pin.
gpio_2_value	2	RO	Current level of the corresponding pin.
gpio_3_value	3	RO	Current level of the corresponding pin.

Table 182 - General Purpose I/O Input Register

<b>Address: 74Ah</b>			
<b>Label: gpio_in</b>			
<b>Reset Value: 0000h</b>			
<b>Label</b>	<b>Bit Position</b>	<b>Type</b>	<b>Description</b>
gpio_4_value	4	RO	Current level of the corresponding pin.
gpio_5_value	5	RO	Current level of the corresponding pin.
gpio_6_value	6	RO	Current level of the corresponding pin.
gpio_7_value	7	RO	Current level of the corresponding pin.
ct_netref1_value	8	RO	Current level of the corresponding pin.
ct_netref2_value	9	RO	Current level of the corresponding pin.
reserved	15:10	RO	Reserved. Always read as "0000_00"

**Table 182 - General Purpose I/O Input Register (continued)**

<b>Address: 74Ch</b>			
<b>Label: gpio_status</b>			
<b>Reset Value: 0000h</b>			
<b>Label</b>	<b>Bit Position</b>	<b>Type</b>	<b>Description</b>
gpio_0_change	0	ROL	This bit is set if the level of the corresponding pin changes.
gpio_1_change	1	ROL	This bit is set if the level of the corresponding pin changes.
gpio_2_change	2	ROL	This bit is set if the level of the corresponding pin changes.
gpio_3_change	3	ROL	This bit is set if the level of the corresponding pin changes.
gpio_4_change	4	ROL	This bit is set if the level of the corresponding pin changes.
gpio_5_change	5	ROL	This bit is set if the level of the corresponding pin changes.
gpio_6_change	6	ROL	This bit is set if the level of the corresponding pin changes.
gpio_7_change	7	ROL	This bit is set if the level of the corresponding pin changes.
ct_netref1_change	8	ROL	This bit is set if the level of the corresponding pin changes.
ct_netref2_change	9	ROL	This bit is set if the level of the corresponding pin changes.
reserved	15:10	ROL	Reserved. Always read as "0000_00"

**Table 183 - General Purpose I/O Status Register**

Address: 74Eh Label: gpio_status_ie Reset Value: 0000h			
Label	Bit Position	Type	Description
gpio_0_change_ie	0	IE	When '1' and the corresponding status bit is '1' an interrupt will be generated.
gpio_1_change_ie	1	IE	When '1' and the corresponding status bit is '1' an interrupt will be generated.
gpio_2_change_ie	2	IE	When '1' and the corresponding status bit is '1' an interrupt will be generated.
gpio_3_change_ie	3	IE	When '1' and the corresponding status bit is '1' an interrupt will be generated.
gpio_4_change_ie	4	IE	When '1' and the corresponding status bit is '1' an interrupt will be generated.
gpio_5_change_ie	5	IE	When '1' and the corresponding status bit is '1' an interrupt will be generated.
gpio_6_change_ie	6	IE	When '1' and the corresponding status bit is '1' an interrupt will be generated.
gpio_7_change_ie	7	IE	When '1' and the corresponding status bit is '1' an interrupt will be generated.
ct_netref1_change_ie	8	IE	When '1' and the corresponding status bit is '1' an interrupt will be generated.
ct_netref2_change_ie	9	IE	When '1' and the corresponding status bit is '1' an interrupt will be generated.
reserved	15:10	IE	Reserved. Always read as "0000_00"

Table 184 - General Purpose I/O Status Interrupt Enable Register

Address: 774h Label: mastership_hidden0 Reset Value: 0000h			
Label	Bit Position	Type	Description
automatic_master_override	0	RW	When '1', the automatic H100 Master programming values are overridden.
mux0_select_override	1	RW	0' = don't swap; '1' = swap.
mux1_select_override	2	RW	0'=Divide by 4; '1' = ct_c8 pin.
mux2_select_override	3	RW	0'=Local Ref; '1' = ct_c8 pin.
mux3_select_override	5:4	RW	"00"=PLL Used; "01"=32 MHz local ref used; "10"=16 MHz local ref used; "11"=8 MHz local ref used.
reserved	15:6	RW	Reserved. Always read as "0000_0000_00"

Table 185 - H.100/H.110 Master Hidden Register 0



Address: 776h Label: mastership_hidden1 Reset Value: 0000h			
Label	Bit Position	Type	Description
h100_check_automatic_override	0	WO	When '1', the following two field will control the ct_c8 frequency checker.
h100_min_mem_clk_ct_c8_override	5:1	RW	minimum period (in mem_clk cycles) between 2 H100 ct_c8 clock rising edges.
h100_max_mem_clk_ct_c8_override	10:6	RW	Maximum period (in mem_clk cycles) between 2 H100 ct_c8 clock rising edges.
h100_sample_tristate_override	11	WO	When '1', the values in the following registers will be used to control the sampling and tri-state delays.
Reserved	15:12	WO	Reserved. Always read as "0000"

Table 186 - H.100/H.110 Master Hidden Register 1

Address: 778h Label: mastership_hidden2 Reset Value: 0000h			
Label	Bit Position	Type	Description
h100_samp_clk_delay_flops	3:0	RW	Number of flops used = 8 + value of this register. "1111" is reserved for selecting falling edge ct_c8 clock
h100_samp_clk_delay_buff	7:4	RW	"1111" is reserved for selecting rising edge ct_c8 clock
h100_oe_clk_delay_flops	11:8	RW	Number of flops used = 8 + value of this register
h100_oe_clk_delay_buff	15:12	RW	

Table 187 - H.100/H.110 Master Hidden Register 2

## 3.8 Miscellaneous Registers

Address: 802h Label: status0 Reset Value: 0000h			
Label	Bit Position	Type	Description
cell_assembly_event_buf_overflow	0	ROL	Overflow in the cell assembly event queue. Fatal chip error.
pointa_buf_overflow	1	ROL	Overflow in the clock recovery point A buffer.
pointb_buf_overflow	2	ROL	Overflow in the clock recovery point B buffer.
reserved	15:3	ROL	Reserved. Always read as "0000_0000_0000_0"

Table 188 - Miscellaneous Status Register

Address: 804h Label: status0_ie Reset Value: 0000h			
Label	Bit Position	Type	Description
cell_assembly_event_buf_overflow	0	IE	When '1' and the corresponding status bit is '1' an interrupt will be generated.
pointa_buf_overflow	1	IE	When '1' and the corresponding status bit is '1' an interrupt will be generated.
pointb_buf_overflow	2	IE	When '1' and the corresponding status bit is '1' an interrupt will be generated.
reserved	15:3	RO	Reserved. Always read as "0000_0000_0000_0"

Table 189 - Miscellaneous Interrupt Enable Register

Address: 810h Label: tone_buffer_control Reset Value: 0000h			
Label	Bit Position	Type	Description
sdram_tone_base	4:0	RW	Represents bits 23:19 of the byte address to the SDRAM tone buffers
sdram_tone_size	6:5	RW	"00" = 16KBytes, "01" = 32K, "10" = 64K, "11" = reserved. Size is for a single buffer.
sdram_tone_enable	7	RW	Enables the use of the tones contained in the SDRAM.
ssram_tone_enable	8	RW	Enables the use of the tones contained in the SSRAM.
reserved	15:9	RW	Reserved. Must always be "0000_000"

Table 190 - Tone Buffer Control Register

<b>Address: 820h</b> <b>Label: pointa_manage</b> <b>Reset Value: 0000h</b>			
Label	Bit Position	Type	Description
pointa_buffer_base_add	8:0	RW	Bits 20:12 of the base address of the clock recovery point buffer A in external SSRAM
pointa_buffer_size	11:9	RW	"000" = 4KBytes, "001" = 8K, "010" = 16K, "011" = 32K, "100" = 64K, "101" = 128K, others = reserved. Size is for a single buffer.
reserved	15:12	RW	Reserved. Must always be "0000"

**Table 191 - Point A Buffer Management Register**

<b>Address: 822h</b> <b>Label: pointa_read</b> <b>Reset Value: 0000h</b>			
Label	Bit Position	Type	Description
pointa_rpnt	13:0	RW	The CUP's read pointer to the clock recovery point FIFO. This read pointer has an extra bit to allow for a full buffer (for example, 2048 points instead of 2047)
Reserved	15:14	RW	Reserved. Must always be "00"

**Table 192 - Point A Read Pointer Register**

<b>Address: 824h</b> <b>Label: pointa_write</b> <b>Reset Value: 0000h</b>			
Label	Bit Position	Type	Description
pointa_wpnt	13:0	RO	The chip's write pointer to the clock recovery point FIFO. This read pointer has an extra bit to allow for a full buffer (for example, 2048 points instead of 2047)
Reserved	15:14	RO	Reserved. Always read as "00"

**Table 193 - Point A Write Pointer Register**

<b>Address: 828h</b> <b>Label: pointb_manage</b> <b>Reset Value: 0000h</b>			
Label	Bit Position	Type	Description
pointb_buffer_base_add	8:0	RW	Bits 20:12 of the base address of the clock recovery point buffer B in external SSRAM
pointb_buffer_size	11:9	RW	"000" = 4KBytes, "001" = 8K, "010" = 16K, "011" = 32K, "100" = 64K, "101" = 128K, others = reserved
reserved	15:12	RW	Reserved. Must always be "0000"

**Table 194 - Point B Buffer Management Register**

<b>Address: 82Ah</b> <b>Label: pointb_read</b> <b>Reset Value: 0000h</b>			
Label	Bit Position	Type	Description
pointb_rpnt	13:0	RW	The CUP's read pointer to the clock recovery point FIFO. This read pointer has an extra bit to allow for a full buffer (for example, 2048 points instead of 2047)
reserved	15:14	RW	Reserved. Must always be "00"

**Table 195 - Point B Read Pointer Register**

<b>Address: 82Ch</b> <b>Label: pointb_write</b> <b>Reset Value: 0000h</b>			
Label	Bit Position	Type	Description
pointb_wpnt	13:0	RO	The chip's write pointer to the clock recovery point FIFO. This read pointer has an extra bit to allow for a full buffer (for example, 2048 points instead of 2047)
reserved	15:14	RO	Reserved. Always read as "00"

**Table 196 - Point B Write Pointer Register**

<b>Address: 830h</b> <b>Label: cid_base</b> <b>Reset Value: 0000h</b>			
Label	Bit Position	Type	Description
cid_descriptor_base_address	4:0	RW	Bits 23:21 of the CID descriptor's base address in the SDRAM
reserved	15:5	RW	Reserved. Must always be "0000_0000_000"

**Table 197 - CID Base Address Register**

## 3.9 RX TDM Registers

Address: 900h Label: control Reset Value: 0000h			
Label	Bit Position	Type	Description
hdlc_type	0	RW	0'=Bit wise HDLC Framing; '1'=Byte Wise HDLC Framing.
rx_tdm_time_slot_lead	3:1	RW	Set to "111" for normal operation.
number_packets_per_frame	6:4	RW	"000" = 32 packets, "001" = 64 packets, "010" = 128 packets, "011" = 256 packets, "100" = 512 packets, "101" = 1024, "11x" = reserved
reserved	7	RW	Reserved. Must always be "0".
llman_process_enable	8	RW	Enables the treatment of incoming RX SAR bytes going to the H100 bus.
u_law_zero_illegal	9	RW	When '1', the u-law value 00h will be replaced by 02h.
padding_law	11:10	RW	"00" = don't translate padding, OL bit in Rx TDM Control Structure is ignored for padding bytes; "01" = padding is in u-law only, "10" = padding is in A-law only.
test_status	15	TS	Reserved. Must always be "0".

Table 198 - RX TDM Control Register

Address: 902h Label: status0 Reset Value: 0000h			
Label	Bit Position	Type	Description
llman_process_crashed	0	ROL	Indicates that the linked-list manager crashed. This indicates corrupt data in the linked list memory.
underrun_detect	1	ROL	Underrun detected on a channel.
underrun_wrap_detect	2	ROL	Indicates that the 16-bit underrun counter on a single channel has wrapped.
rxtdm_read_cache_overflow	3	ROL	Overflow in the RX TDM read cache. Fatal chip error.
rxtdm_write_cache_overflow	4	ROL	Overflow in the RX TDM write cache. Fatal chip error.
write_back_cache_overflow	5	ROL	Overflow in the RX TDM write back cache.
rx_tdm_fifo_overflow	6	ROL	Overflow in the RX TDM data FIFO. Fatal chip error.
rxsar_pointer_wb_overflow	7	ROL	Overflow in the RX SAR pointer write back FIFO. Fatal chip error.
reserved	15:8	ROL	Reserved. Always read as "0000_0000"

Table 199 - RX TDM Status Register 0

Address: 904h Label: status0_ie Reset Value: 0000h			
Label	Bit Position	Type	Description
llman_process_crashed_ie	0	IE	When '1' and the corresponding status bit is '1' an interrupt will be generated.
underrun_detect_ie	1	IE	When '1' and the corresponding status bit is '1' an interrupt will be generated.
underrun_wrap_detect_ie	2	IE	When '1' and the corresponding status bit is '1' an interrupt will be generated.
rxtdm_read_cache_overflow_ie	3	IE	When '1' and the corresponding status bit is '1' an interrupt will be generated.
rxtdm_write_cache_overflow_ie	4	IE	When '1' and the corresponding status bit is '1' an interrupt will be generated.
write_back_cache_overflow_ie	5	IE	When '1' and the corresponding status bit is '1' an interrupt will be generated.
rx_tdm_fifo_overflow_ie	6	IE	When '1' and the corresponding status bit is '1' an interrupt will be generated.
rxsar_pointer_wb_overflow_ie	7	IE	When '1' and the corresponding status bit is '1' an interrupt will be generated.
reserved	15:8	RO	Reserved. Always read as "0000_0000"

Table 200 - RX TDM Interrupt Enable Register 0

Address: 908h Label: monitor Reset Value: 0000h			
Label	Bit Position	Type	Description
hdlc_pcm_channel_error	9:0	RO	Indicates the channel number, according to its position in the RX TDM control memory, on which the last underrun or underrun wrap error occurred
reserved	15:10	RO	Reserved. Always read as "0000_00"

Table 201 - RX TDM Channel Number Monitor Register

## 4.0 Electrical Specification

### 4.1 DC Characteristics

#### Absolute Maximum Ratings

	Parameter	Symbol	Min.	Max.	Units
	Supply Voltage - 3.3 Volt Rail	$V_{DD}$	-0.5	5.0	V
	Voltage on 3.3 V Input pins	$V_I$	-0.5	VDD+0.5	V
	Voltage on 3.3 V Output pins	$V_O$	-0.5	VDD+0.5	V
	Storage Temperature	$T_S$	-40.0	+125.0	°C

\* Exceeding these figures may cause permanent damage. Functional operation under these conditions is not guaranteed. Voltage measurements are with respect to ground ( $V_{SS}$ ) unless otherwise stated. Long-term exposure to absolute maximum ratings may affect device reliability, and permanent damage may occur if operate exceeding the rating. The device should be operated under recommended operating condition.

#### Recommended Operating Conditions

	Characteristics	Sym.	Min.	Typ. <sup>a</sup>	Max.	Units	Test Conditions
	Operating Temperature	$T_{OP}$	0.0	25.0	70.0	°C	
	Supply Voltage, 3.3 V Rail	$V_{DD}$	3.135	3.3	3.465	V	

a. Typical figures are at 25°C and are for design aid only; not guaranteed and not subject to production testing. Voltage measurements are with respect to ground ( $V_{SS}$ ) unless otherwise stated.

#### DC Characteristics

	Characteristics	Sym.	Min.	Typ. <sup>a</sup>	Max.	Units	Test Conditions <sup>b</sup>
	Supply Current - 3.3 V supply	$I_{DD}$		1.19		A	60.0 MHz, Nominal output loads, 1023 Channels
	Continuous current at digital inputs	$I_I$		2.31		mA	
	Continuous current at digital outputs	$I_O$		3.04		mA	
	Device Power Dissipation	$P_{DDs}$		3.927		W	60.0 MHz, Nominal output loads, 1023 Channels
	Input High Voltage	$V_{IH}$	0.7VDD				
	Input Low Voltage	$V_{IL}$			0.3VDD	V	
	Output HIGH Voltage	$V_{OH}$	2.4			V	
	Output LOW Voltage	$V_{OL}$			0.4	V	
	Schmitt Trigger Positive Threshold	$V_{t+}$		1.6		V	
	Schmitt Trigger Neg. Threshold	$V_{t-}$		1.2		V	

## DC Characteristics (continued)

	Characteristics	Sym.	Min.	Typ. <sup>a</sup>	Max.	Units	Test Conditions <sup>b</sup>
	Input Leakage Current	$I_I$	-1.0		1.0	$\mu\text{A}$	$V_{IN} = V_{DDx}$ or $V_{SS}$
	Inputs with gated pull-up	$I_{IH}$		-30.0	-70.0	$\mu\text{A}$	$V_{IN} = V_{DD}$
	Inputs with gated pull-down	$I_{IL}$		30.0	70.0	$\mu\text{A}$	$V_{IN} = V_{SS}$
	Input Pin Capacitance	$C_I$		5.0		pF	
	Output Pin Capacitance	$C_O$		5.0		pF	
	Output High Impedance Leakage	$I_{OZ}$			1.0	$\mu\text{A}$	$V_O = V_{SS}$ or $V_{DD}$
	3.3 V output HIGH current (6 mA buffer)	$I_{OH}$			6.0	mA	
	3.3 V output LOW current (6 mA buffer)	$I_{OL}$			6.0	mA	
	3.3 V output HIGH current (12 mA buffer)	$I_{OH}$			12.0	mA	
	3.3 V output LOW current (12 mA buffer)	$I_{OL}$			12.0	mA	
	3.3 V output HIGH current (24 mA buffer)	$I_{OH}$			24.0	mA	
	3.3 V output LOW current (24 mA buffer)	$I_{OL}$			24.0	mA	
	Junction-to-Ambient Thermal Resistance	$\theta_{J-A}$		14.0		$^{\circ}\text{C}/\text{W}$	0 cfm air flow (natural convection airflow only)

a. Typical figures are at 25°C and are for design aid only; not guaranteed and not subject to production testing.

b.  $T_{OP} = 0^{\circ}\text{C}$  to  $70^{\circ}\text{C}$ ;  $3.135\text{V} \leq V_{DD} \leq 3.465\text{V}$

Voltage measurements are with respect to ground ( $V_{SS}$ ) unless otherwise stated.



4.2 AC Characteristics

4.3 Intel/Motorola Interface

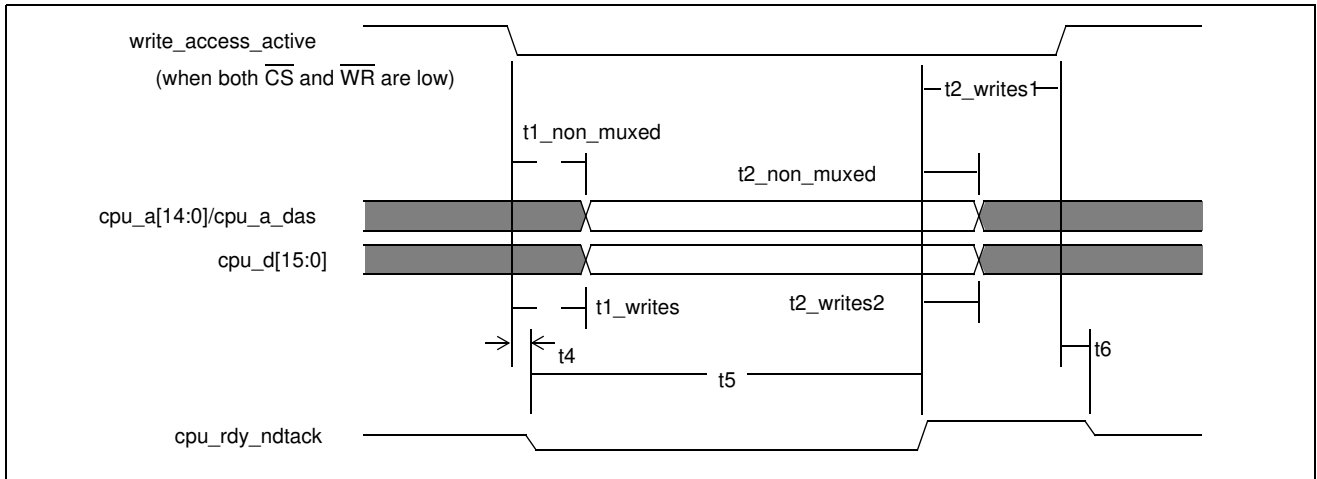
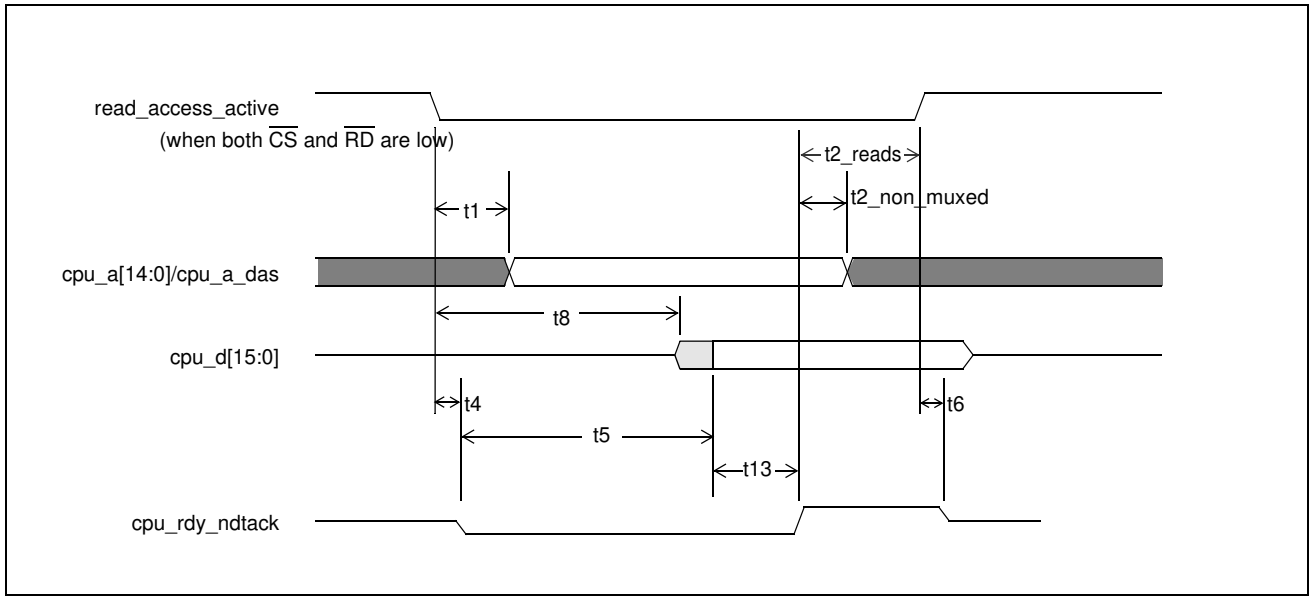


Figure 71 - Non-Multiplexed CPU Interface - Intel Mode - Write Access

Symbol	Description	Min.	Typical	Max.	Unit
t1_non_muxed	write_access_active falling edge to cpu_a valid cpu_a_das valid			2 * upclk - 4	ns
t1_writes	write_access_active falling edge to cpu_d valid			2 * upclk - 4	ns
t2_non_muxed	cpu_rdy_ndtack rising edge to cpu_a invalid cpu_a_das invalid	0			ns
t2_writes1	cpu_rdy_ndtack rising edge to write_access_active rising edge	0			ns
t2_writes2	cpu_rdy_ndtack rising edge to cpu_d invalid	0			ns
t4	write_access_active falling edge to cpu_rdy_ndtack falling edge	0		12	ns
t5	Write Access Time			740	ns
t6	write_access_active rising edge to cpu_rdy_ndtack tri-state	0		10	ns

Table 202 - Non-Multiplexed CPU Interface - Intel Mode - Write Access



**Figure 72 - Non-Multiplexed CPU Interface - Intel Mode - Read Access**

Symbol	Description	Min.	Typical	Max.	Unit
t1	read_access_active falling edge to cpu_a valid cpu_a_das valid			2 * upclk - 4	ns
t2_reads	cpu_rdy_ndtack rising edge to read_access_active rising edge (reads)	0			ns
t2_non_muxed	cpu_rdy_ndtack rising edge to cpu_a invalid (non-multiplexed) cpu_a_das invalid (non-multiplexed)				ns
t4	read_access_active falling edge to cpu_rdy_ndtack falling edge	0		12	ns
t5	Read Access Time			See Table 205, "t5 Read Access Times," on page 190.	
t6	read_access_active rising edge to cpu_rdy_ndtack tri-state	0		10	ns
t8	read_access_active falling edge to cpu_d driven	3 * upclk - 4			ns
t13	cpu_d valid to cpu_rdy_ndtack rising edge	upclk - 4			ns

**Table 203 - Non-Multiplexed CPU Interface - Intel Mode - Read Access**

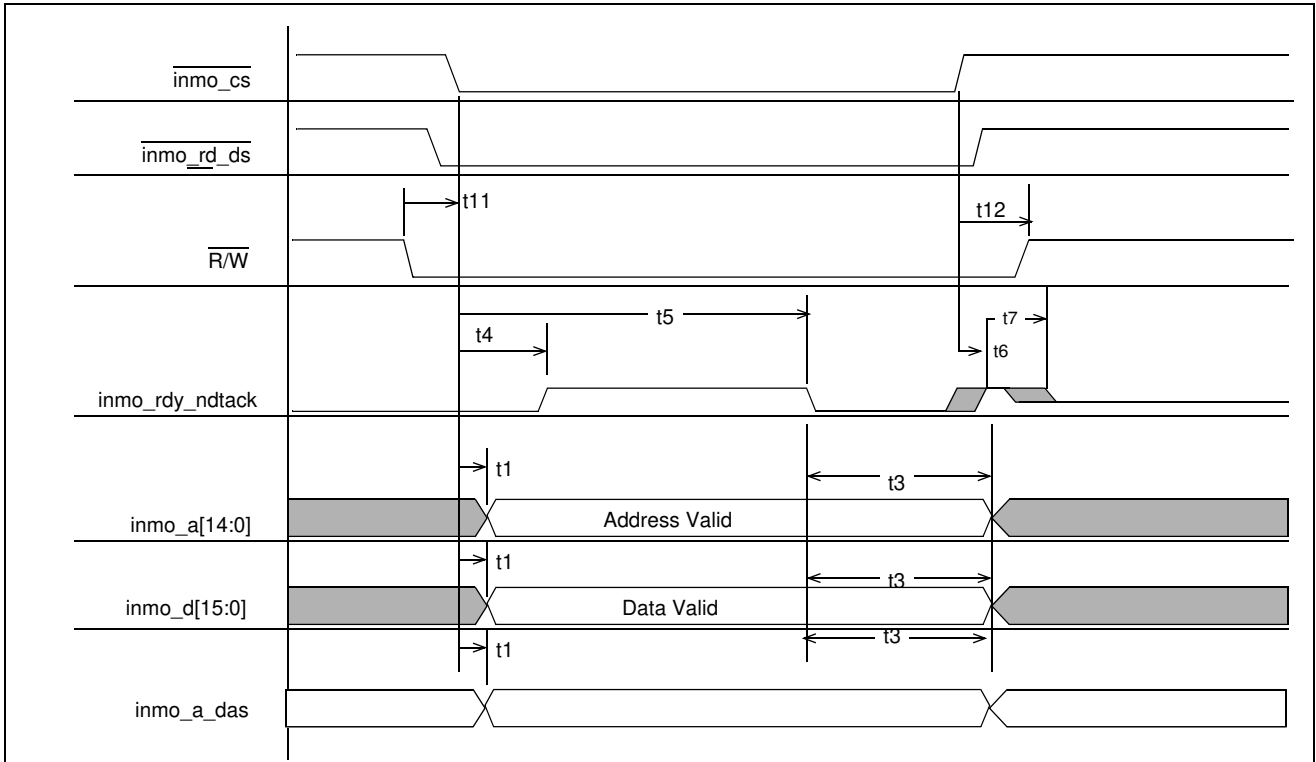


Figure 73 - Non-Multiplexed CPU Interface - Motorola Mode - Write Access

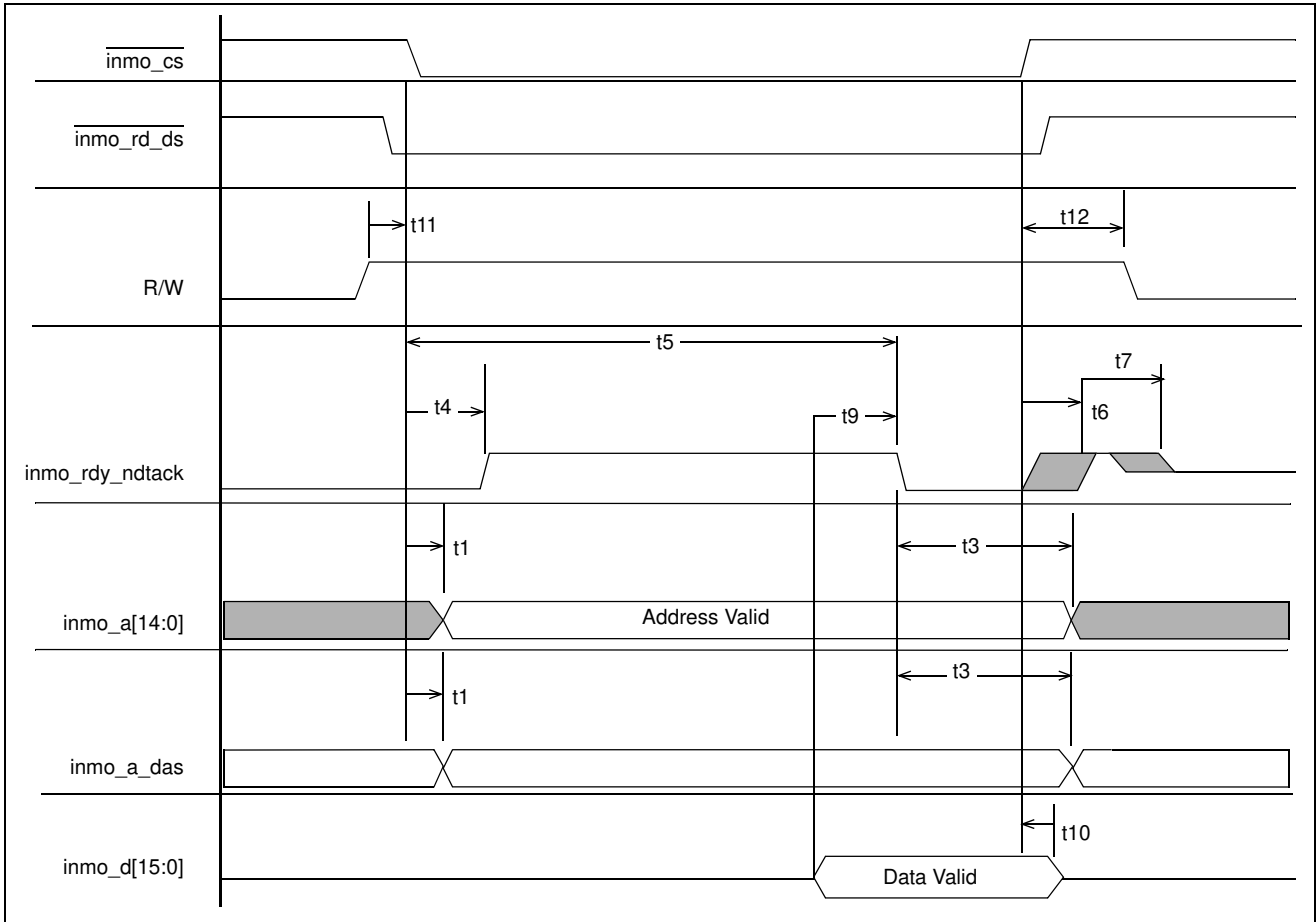


Figure 74 - Non-Multiplexed CPU Interface - Motorola Mode - Read Access

Sym.	Description Write Access	Min.	Typ.	Max.	Unit
t1	Address & Data Setup -- $\overline{\text{cpu\_cs}}$ and $\overline{\text{cpu\_rd\_ds}}$ asserted to $\text{cpu\_a}[14:0]$ and $\text{cpu\_d}[15:0]$ and $\text{cpu\_a\_das}$ valid			$2 \cdot \text{upclk} - 4$	ns
t3	Address & Data Hold -- $\text{cpu\_rdy\_ndtack}$ low to $\text{cpu\_a}[14:0]$ and $\text{cpu\_d}[15:0]$ and $\text{cpu\_a\_das}$ invalid	0			ns
t4	$\text{cpu\_rdy\_ndtack}$ high -- $\overline{\text{cpu\_cs}}$ and $\overline{\text{cpu\_rd\_ds}}$ asserted to $\text{cpu\_rdy\_ndtack}$ driving one	0		12	ns
t5	$\text{cpu\_rdy\_ndtack}$ delay -- $\overline{\text{cpu\_cs}}$ and $\overline{\text{cpu\_rd\_ds}}$ asserted to $\text{cpu\_rdy\_ndtack}$ driving zero			740	ns
t6	$\text{cpu\_rdy\_ndtack}$ hold -- $\overline{\text{cpu\_cs}}$ and $\overline{\text{cpu\_rd\_ds}}$ de-asserted to $\text{cpu\_rdy\_ndtack}$ driving one	0		10	ns
t7	$\text{cpu\_rdy\_ndtack}$ high impedance -- $\text{cpu\_rdy\_ndtack}$ driving one to $\text{cpu\_rdy\_ndtack}$ high impedance	2		8	ns
t11	$\text{cpu\_r/w}$ low to both $\overline{\text{cpu\_cs}}$ and $\overline{\text{cpu\_ds}}$ asserted	0			ns
t12	$\overline{\text{cpu\_cs}}$ or $\overline{\text{cpu\_ds}}$ high to $\text{cpu\_r/w}$ high	0			ns
Note: t1, t4, and t5 are dependent upon the last of $\overline{\text{cpu\_cs}}$ and $\overline{\text{cpu\_rd\_ds}}$ to be asserted. t6 is dependent on the first of $\overline{\text{cpu\_cs}}$ and $\overline{\text{cpu\_rd\_ds}}$ to be de-asserted.					
Sym.	Description Read Access	Min.	Typ.	Max.	Unit
t1	Address Setup -- $\overline{\text{cpu\_cs}}$ and $\overline{\text{cpu\_rd\_ds}}$ asserted to $\text{cpu\_a}[14:0]$ and $\text{cpu\_a\_das}$ valid			$2 \cdot \text{upclk} - 4$	ns
t3	Address Hold -- $\text{cpu\_rdy\_ndtack}$ low to $\text{cpu\_a}[14:0]$ and $\text{cpu\_a\_das}$ invalid	0			ns
t4	$\text{cpu\_rdy\_ndtack}$ high -- $\overline{\text{cpu\_cs}}$ and $\overline{\text{cpu\_rd\_ds}}$ asserted to $\text{cpu\_rdy\_ndtack}$ driving one	0		12	ns
t5	$\text{cpu\_rdy\_ndtack}$ delay -- $\overline{\text{cpu\_cs}}$ and $\overline{\text{cpu\_rd\_ds}}$ asserted to $\text{cpu\_rdy\_ndtack}$ asserted			See Table 205, "t5 Read Access Times," on page 190.	ns
t6	$\text{cpu\_rdy\_ndtack}$ hold -- $\overline{\text{cpu\_cs}}$ or $\overline{\text{cpu\_rd\_ds}}$ de-asserted to $\text{cpu\_rdy\_ndtack}$ driving one	0		10	ns
t7	$\text{cpu\_rdy\_ndtack}$ high impedance -- $\text{cpu\_rdy\_ndtack}$ driving one to $\text{cpu\_rdy\_ndtack}$ high-impedance	2		8	ns
t9	Data to $\text{cpu\_rdy\_ndtack}$ delay -- $\text{cpu\_d}[15:0]$ valid to $\text{cpu\_rdy\_ndtack}$ asserted	$\text{upclk} - 4$			ns
t10	Data output hold -- $\overline{\text{cpu\_cs}}$ or $\overline{\text{cpu\_rd\_ds}}$ de-asserted to $\text{cpu\_d}[15:0]$ invalid	0		10	ns
t11	$\text{cpu\_r/w}$ high to both $\overline{\text{cpu\_cs}}$ and $\overline{\text{cpu\_ds}}$ asserted	0			ns
t12	$\overline{\text{cpu\_cs}}$ or $\overline{\text{cpu\_ds}}$ high to $\text{cpu\_r/w}$ low	0			ns

Table 204 - Non-Multiplexed CPU Interface - Motorola Mode

Symbol	Description	Burst Length (read only)	Max	Unit
t5	Register and internal memory access	1-word	740	ns
t5	SSRAM	1-word	1.07	μs
t5	SSRAM	8-words	1.44	μs
t5	SSRAM	128-words	8.78	μs
t5	SDRAM	1-word	1.16	μs
t5	SDRAM	8-words	2.32	μs
t5	SDRAM	128-words	24.9	μs

Table 205 - t5 Read Access Times

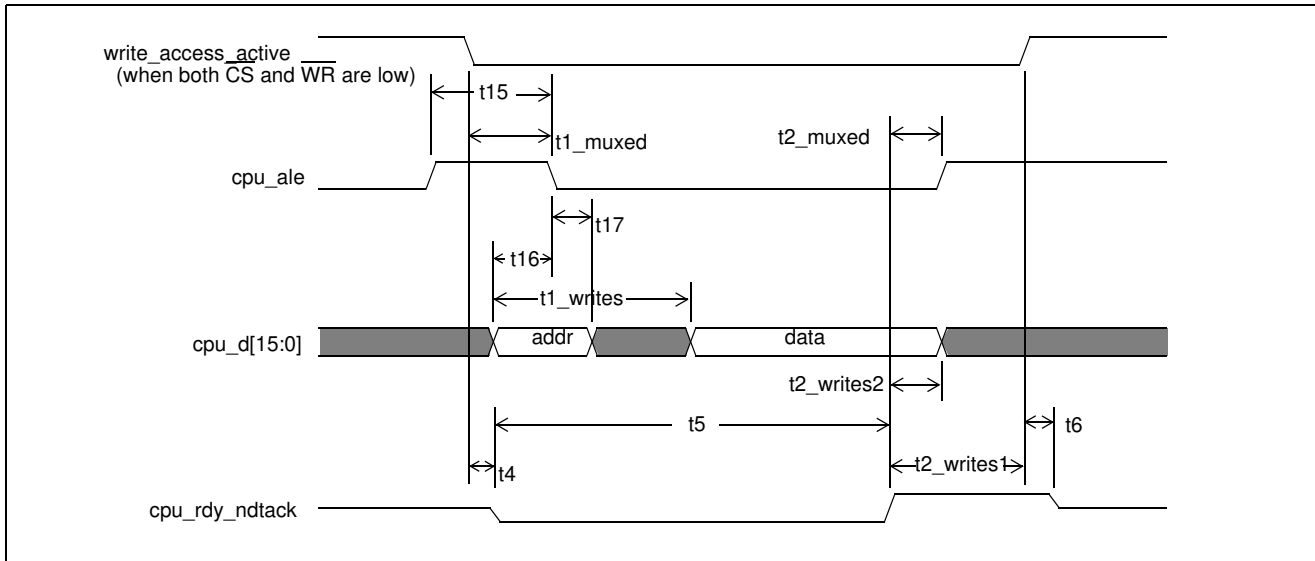
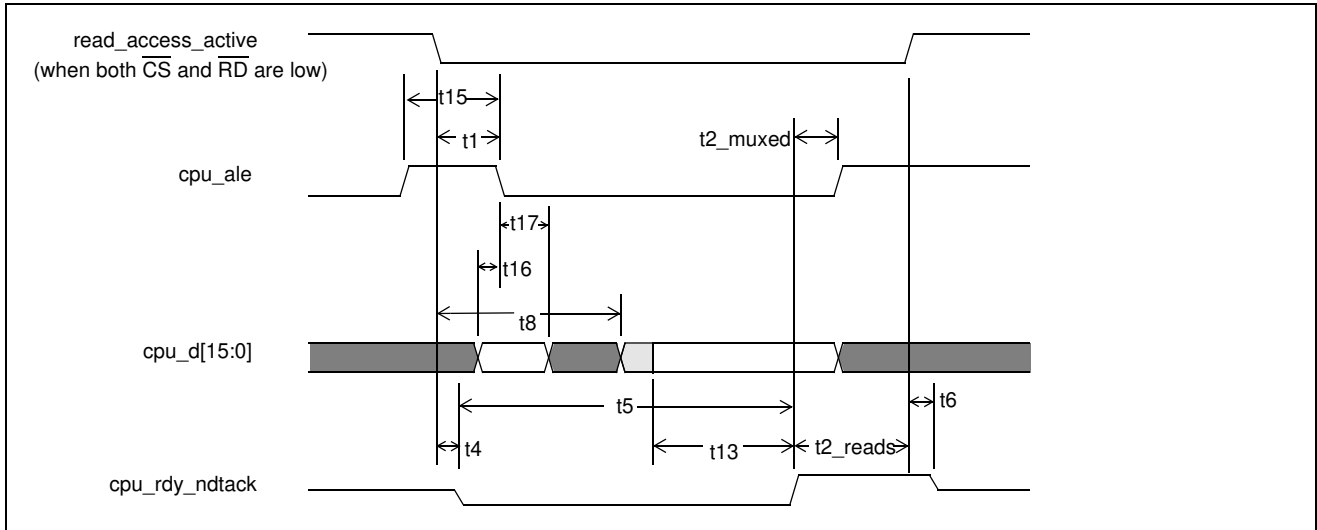


Figure 75 - Multiplexed CPU Interface - Intel Mode - Write Access

Symbol	Description	Min.	Typical	Max.	Unit
t1_muxed	write_access_active falling edge to cpu_ale fall			2 * upclk - 4	ns
t1_writes	write_access_active falling edge to cpu_d valid			2 * upclk - 4	ns
t2_muxed	cpu_rdy_ndtack rising edge to cpu_ale rising edge	0			ns
t2_writes1	cpu_rdy_ndtack rising edge to write_access_active rising edge	0			ns
t2_writes2	cpu_rdy_ndtack rising edge to cpu_d invalid	0			ns
t4	write_access_active falling edge to cpu_rdy_ndtack falling edge	0		12	ns
t5	Write Access Time			740	ns
t6	write_access_active rising edge to cpu_rdy_ndtack tri-state	0		10	ns
t15	cpu_ale high pulse width	5			ns
t16	cpu_d valid to cpu_ale falling edge	5			ns
t17	cpu_ale falling edge to cpu_d invalid	5			ns

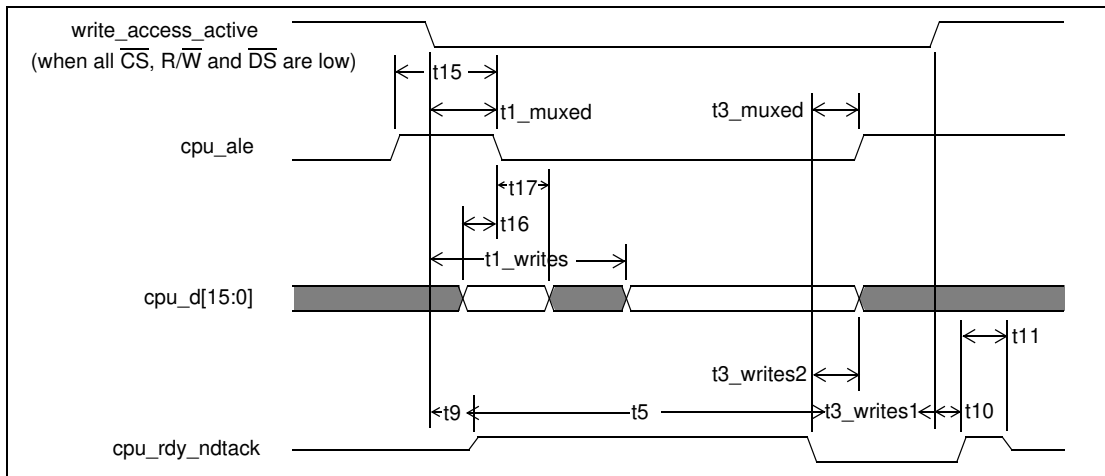
**Table 206 - Multiplexed CPU Interface - Intel Mode - Write Access**



**Figure 76 - Multiplexed CPU Interface - Intel Mode - Read Access**

Symbol	Description	Min.	Typical	Max.	Unit
t1	read_access_active falling edge to cpu_ale fall			2 * upclk - 4	ns
t2_muxed	cpu_rdy_ndtack rising edge to cpu_ale rising edge	0			ns
t2_reads	cpu_rdy_ndtack rising edge to read_access_active rising edge	0			ns
t4	read_access_active falling edge to cpu_rdy_ndtack falling edge	0		12	ns
t5	Read Access Time			see Table 205	
t6	read_access_active rising edge to cpu_rdy_ndtack tri-state	0		10	ns
t8	read_access_active falling edge to cpu_d driven	3 * upclk - 4			ns
t13	cpu_d valid to cpu_rdy_ndtack rising edge	upclk - 4			ns
t15	cpu_ale high pulse width	5			ns
t16	cpu_d valid to cpu_ale falling edge	5			ns
t17	cpu_ale falling edge to cpu_d invalid	5			ns

**Table 207 - Multiplexed CPU Interface - Intel Mode - Read Access**

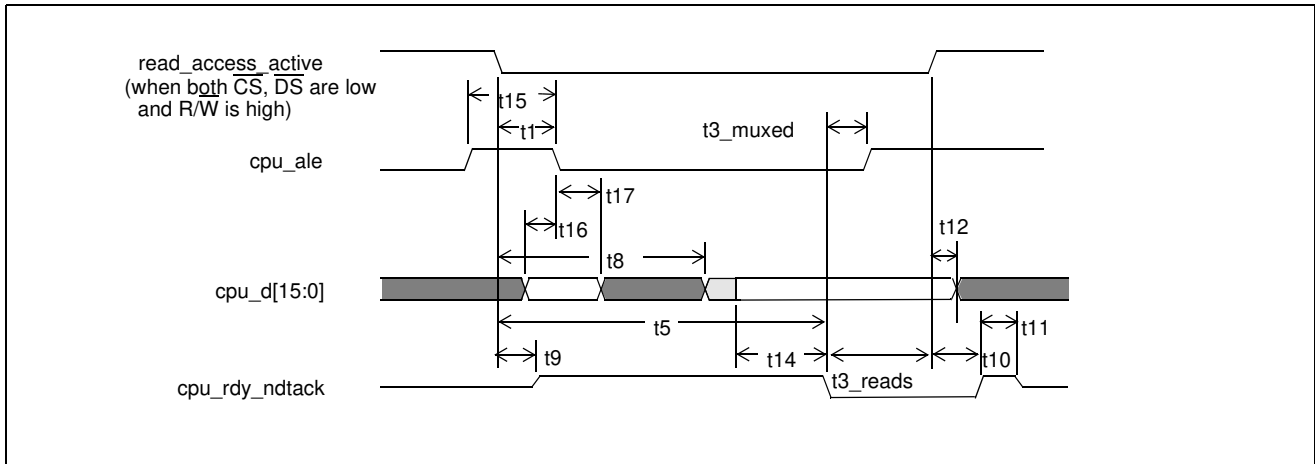


**Figure 77 - Multiplexed CPU Interface - Motorola Mode - Write Access**



Symbol	Description	Min.	Typical	Max.	Unit
t1_muxed	write_access_active falling edge to cpu_ale fall			2 * upclk - 4	ns
t1_writes	write_access_active falling edge to cpu_d valid			2 * upclk - 4	ns
t3_muxed	cpu_rdy_ndtack falling edge to cpu_ale rising edge	0			ns
t3_writes1	cpu_rdy_ndtack falling edge to write_access_active rising edge	0			ns
t3_writes2	cpu_rdy_ndtack falling edge to cpu_d invalid	0			ns
t5	Write Access Time			740	ns
t9	write_access_active falling edge to cpu_rdy_ndtack driven high	0		12	ns
t10	write_access_active rising edge to cpu_rdy_ndtack rising edge	0		10	ns
t11	cpu_rdy_ndtack rising edge to cpu_rdy_ndtack tri-state	2		8	ns
t15	cpu_ale high pulse width	5			ns
t16	cpu_d valid to cpu_ale falling edge	5			ns
t17	cpu_ale falling edge to cpu_d invalid	5			ns

**Table 208 - Multiplexed CPU Interface - Motorola Mode - Write Access**



**Figure 78 - Multiplexed CPU Interface - Motorola Mode - Read Access**

Symbol	Description	Min.	Typical	Max.	Unit
t1	read_access_active falling edge to cpu_ale fall			2 * upclk - 4	ns
t3_muxed	cpu_rdy_ndtack falling edge to cpu_ale rising edge	0			ns
t3_reads	cpu_rdy_ndtack falling edge to read_access_active rising edge	0			ns
t5	Read Access Time			see Table 205	
t8	read_access_active falling edge to cpu_d driven	3 * upclk - 4			ns
t9	read_access_active falling edge to cpu_rdy_ndtack driven high	0		12	ns
t10	read_access_active rising edge to cpu_rdy_ndtack rising edge	0		10	ns
t11	cpu_rdy_ndtack rising edge to cpu_rdy_ndtack tri-state	2		8	ns
t15	cpu_ale high pulse width	5			ns
t16	cpu_d valid to cpu_ale falling edge	5			ns
t17	cpu_ale falling edge to cpu_d invalid	5			ns

**Table 209 - Multiplexed CPU Interface - Motorola Mode - Read Access**

4.3.1 UTOPIA Interface

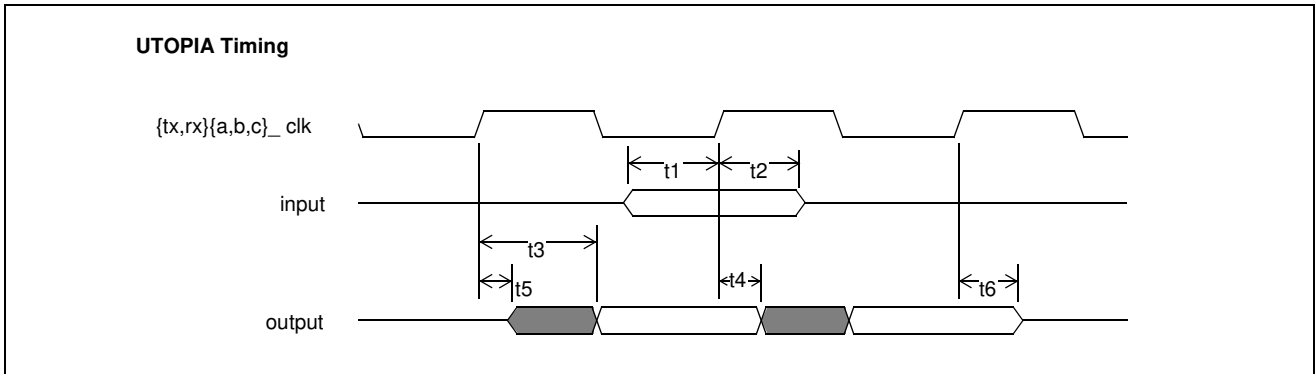


Figure 79 - UTOPIA Timing

Symbol	Characteristics	Min.	Typ.	Max.	Units
t1	Input setup time	4			ns
t2	Input hold time	1			ns
t3	Clock to data valid			12	ns
t4	Clock to data change	2			ns
t5	Clock rising to signal driven	1			ns
t6	Clock rising to signal tri-state	1		20	ns

Table 210 - UTOPIA Timing

4.3.2 External Memory Interface

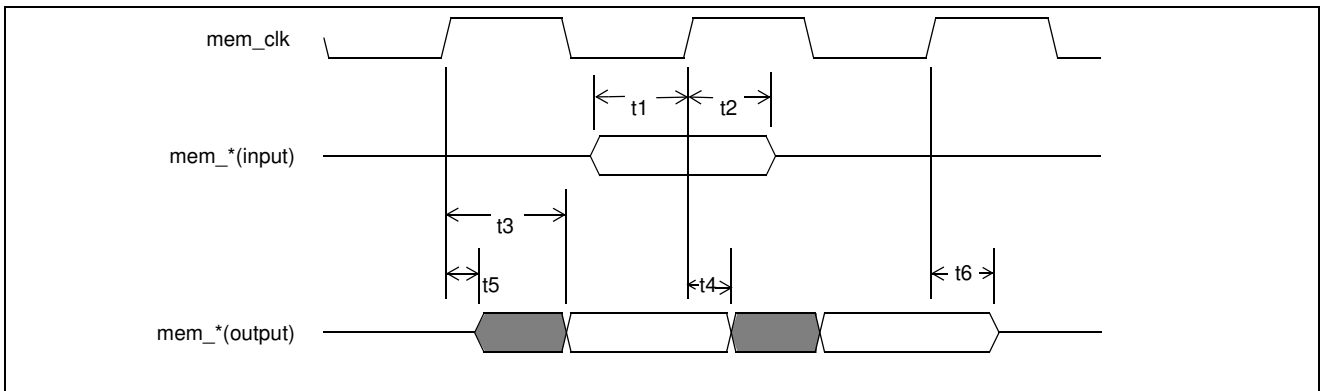


Figure 80 - External Memory Timing (both SSRAM and SDRAM)

Symbol	Characteristics	Min.	Typ.	Max.	Units	Load
t1	Input setup time	2			ns	
t2	Input hold time	0			ns	
t3	Clock to data valid			8.30	ns	50 pF
t4	Clock to data change	2			ns	50 pF
t5	Clock rising to signal driven	2			ns	
t6	Clock rising to signal tri-state			10	ns	

Table 211 - External Memory Timing

4.3.3 H.100/H.110 Interface

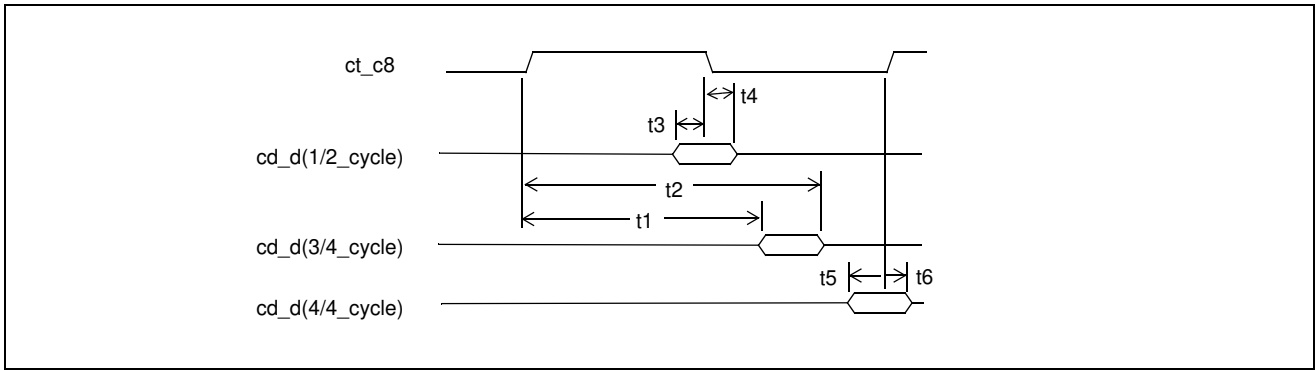


Figure 81 - H.100/H.110 Timing - H.100 Input Sampling

Symbol	Description	Min.	Typical	Max.	Unit
t1	ct_c8 rise to ct_d valid			69	ns
t2	ct_c8 rise to ct_d invalid	102			ns
t3	ct_d valid to ct_c8 fall	3			ns
t4	ct_c8 fall to ct_d invalid	1			ns
t5	ct_d valid to ct_c8 rise	5			ns
t6	ct_c8 rise to ct_d invalid	0			ns

Table 212 - H.100/H.110 Timing - H.100 Input Sampling

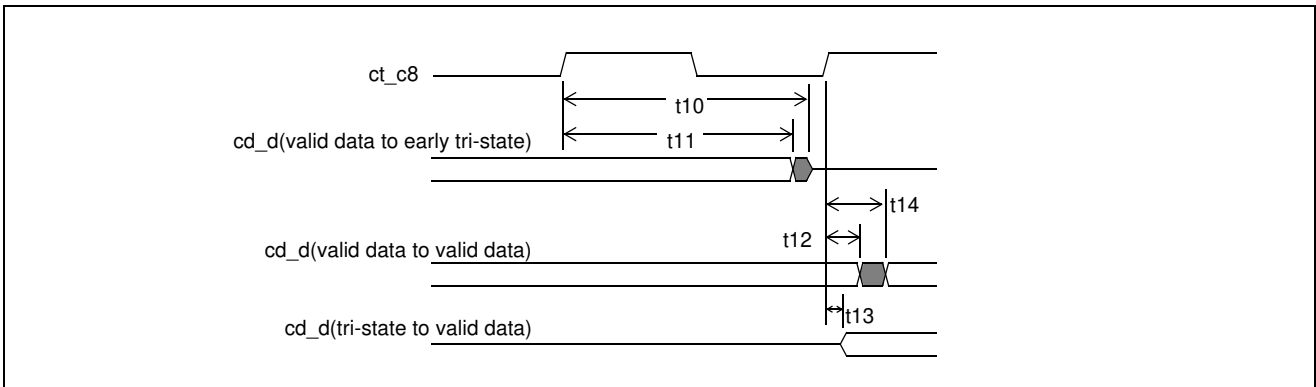
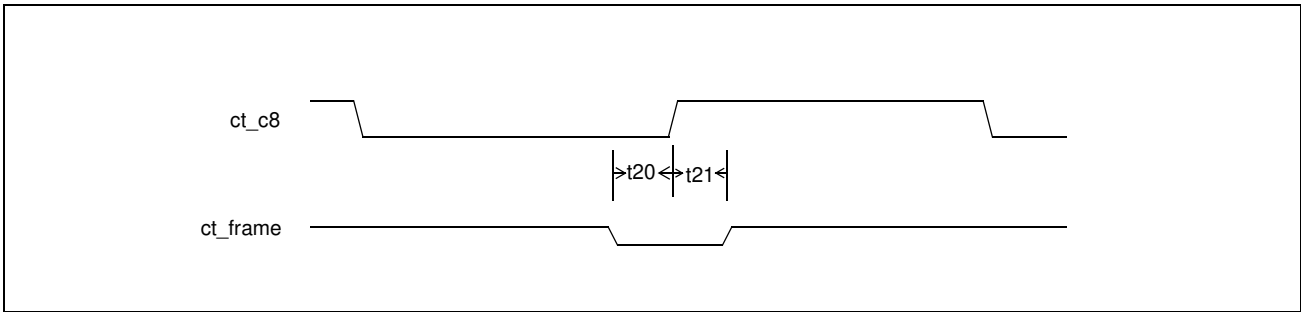


Figure 82 - H.100/H.110 Timing - H.100 Output

Symbol	Description	Min	Typical	Max	Unit	Load
t10	ct_c8 rise to ct_d tri-state			122	ns	200 pf
t11	ct_c8 rise to ct_d invalid	102			ns	200 pf
t12	ct_c8 rise to ct_d invalid	2			ns	200 pf
t13	ct_c8 rise to ct_d driven	2			ns	200 pf
t14	ct_c8 rise to ct_d valid			22	ns	200 pf

**Table 213 - H.100/H.110 Timing - H.100 Output**



**Figure 83 - H.100/H.110 Timing - H.100 Frame Sampling**

Symbol	Description	Min.	Typical	Max.	Unit
t20	ct_frame valid to ct_c8 rise	5			ns
t21	ct_c8 rise to ct_frame invalid	5			ns

**Table 214 - H.100/H.110 Timing - H.100 Frame Sampling**

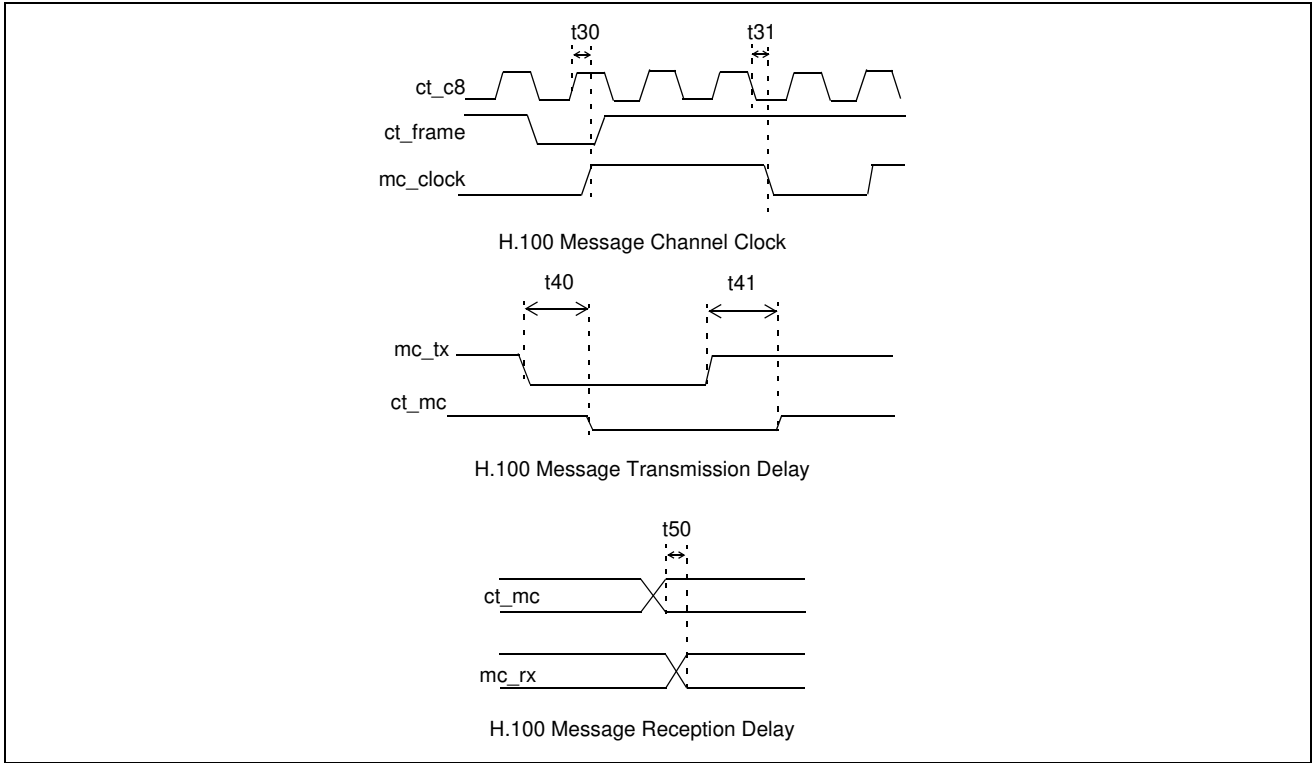


Figure 84 - H.100/H.110 Message Timing

Symbol	Description	Min.	Typical	Max.	Unit	Load
t30	ct_c8 rise to mc_clock rise			15	ns	
t31	ct_c8 fall to mc_clock fall			15	ns	
t40	mc_tx fall to ct_mc low	3		15	ns	200 pf
t41	mc_tx rise to ct_mc tri-state	3		15	ns	200 pf
t50	ct_mc fall to mc_rx fall	3		15	ns	

Table 215 - H.100/H.110 Message Timing

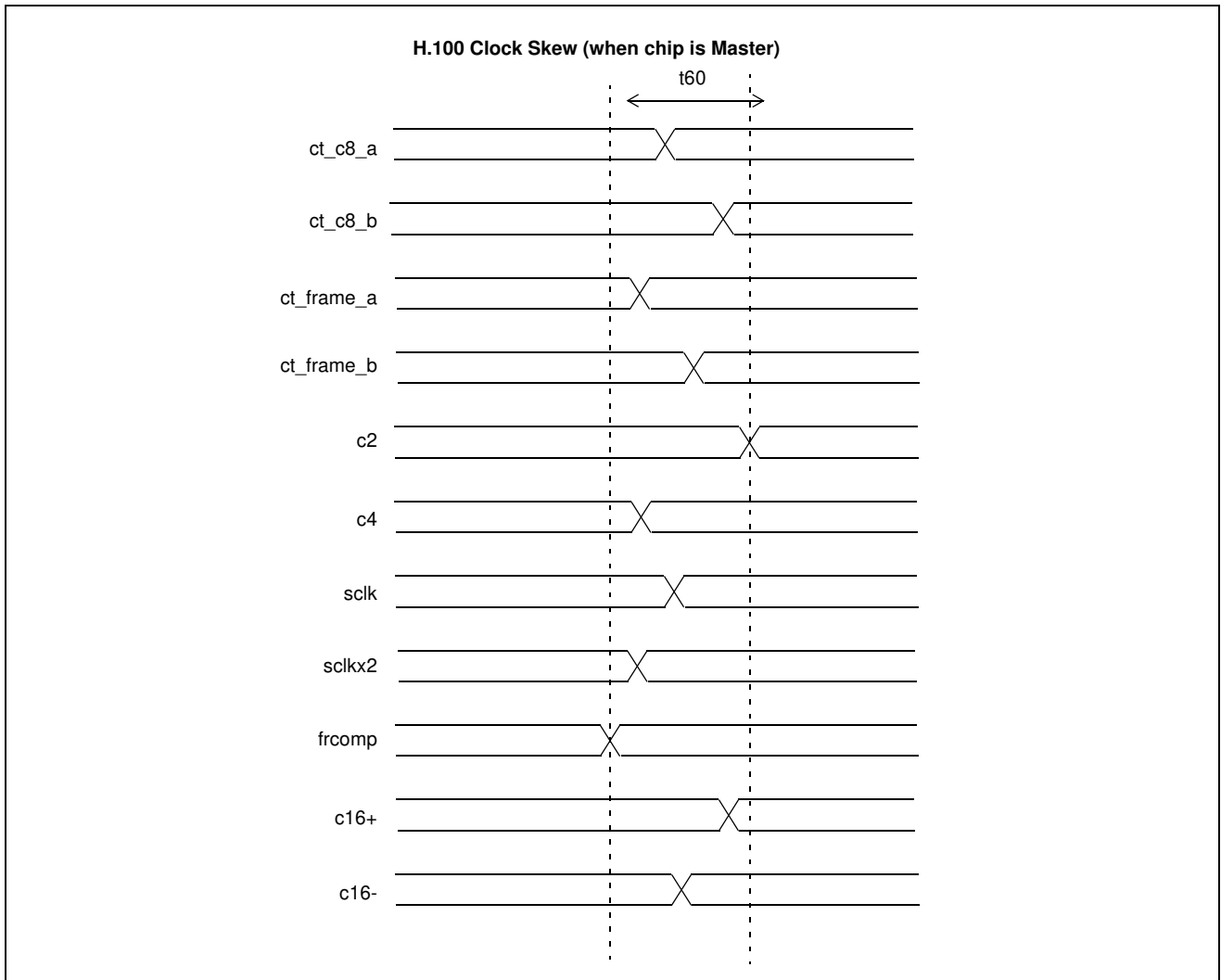


Figure 85 - H.100/H.110 Clock Skew

Symbol	Description	Min.	Typical	Max.	Unit	Load
t60	maximum skew when signals generated by MT90502			5	ns	200 pF

Table 216 - H.100/H.110 Clock Skew Table



---

## 5.0 Glossary of Terminology

### 5.1 Standard Terms and Abbreviations

**AAL0: ATM Adaptation Layer 0.** AAL0 is a straight packaging of 48 bytes of data within an ATM cell. AAL0 can be used to treat either data cells (managed by CPU) or CBR cells (managed by TX SAR and RX SAR).

**AAL2: ATM Adaptation Layer 2.** AAL2 is used to transport constant bit rate (CBR) and variable bit rate (VBR) data on ATM. AAL2 cells are made up of AAL2 CPS-Packets of different lengths containing different kinds of data.

**ADPCM: Adaptive Differential Pulse Code Modulation.** ADPCM is a compression standard that allows the encoding of PCM data at rates of 40, 32, 24 and 16 kbps.

**CBR: Constant Bit Rate.** CBR data means that cells on that particular channel are sent out at a regular rate. CBR is applicable to voice channels.

**CRC: Cyclic Redundancy Check.** The CRC is a method of error detection and correction that is applied to a certain field of data. CRC is an efficient method of error detection because the odds of erroneously detecting a correct payload are low.

**FIFO: First In, First Out.** A FIFO memory is one in which the first byte to have been written into the memory is the first one to be read from the read port.

**GFC: Generic Flow Control.** The GFC field is kept in the 4 highest bits of an ATM cell's header and is used for local functions (not carried end-to-end). The default value is "0000", meaning that GFC protocol is not enforced.

**H.100/H.110:** A TDM bus standard developed by ECTF to provide backward compatibility to existing TDM busses with more bandwidth and potential for development.

**HDLC: High-level Data Link Control.** An encapsulation protocol that defines specific bit patterns as de-limiters and thus allows transmission of data over a serial link. In the MT90502, HDLC is used to carry variable-length packets on the H.100/H.110 bus.

**OC-3: Optical Carrier level-3.** A SONET channel that carries a bandwidth of 155.55 Mbps.

**PCM: Pulse Code Modulation.** PCM is the basic method of encoding an analog voice signal into digital form.

**PHY: PHYsical layer.** The bottom layer of the ATM Reference Model, it provides ATM cell transmission over the physical interfaces that interconnect the various ATM devices.

**PLL: Phase Lock Loop.** A phase lock loop is a component that generates an output clock by synchronizing itself to an input clock. PLLs are often used to multiply the frequency of clocks.

**RAM: Random Access Memory.** RAM is the main memory in the computer. It is called "random" because any random address can be accessed in an equal amount of time.

**SAR: Segmentation And Reassembly.** Method of partitioning, at the source, frames into ATM cells and reassembling, at the destination, these cells back into information frames. SAR is the lower sub-layer of the AAL which inserts data from the information frames into cells and then add the required header, trailer, and/or padding bytes to create 48-byte payloads to be transmitted to the ATM layer.

**TDM: Time Division Multiplexing.** TDM busses carry voice data divided according to frames. In a single 125 us frame, the TDM bus will have carried one byte from each channel it contains.

**UTOPIA: Universal Test and Operations PHY Interface for ATM.** A PHY-level interface to provide connectivity between ATM components.

**VC: Virtual Circuit.** VCs define a point-to-point connection between two nodes in a network. A single ATM cell carries data that belongs to a single VC.

**VCI: Virtual Channel Identifier.** This is the label given to an ATM VC to identify it and determine its destination. The VCI is a 16-bit number that is included in the header of an ATM cell.

**VPI: Virtual Path Identifier.** A virtual path determines the way an ATM cell should be routed. The VPI is an 8-bit (in UNI) or 12-bit (in NNI) number that is included in the header of an ATM cell.

## 5.2 Terms Specific to AAL2

**CID: Channel Identifier.** The CID is an 8-bit field that identifies an AAL2 CPS-Packet and determines which of the 255 AAL2 channels on this VC it belongs to. The value of 00h is illegal for the CID, values 01h to 07h are denoted as reserved for use by the AAL type 2.

**EDU: Encoding Data Unit.** A group of 8 PCM bytes or 8 ADPCM samples that represent 1 ms of voice traffic. The size of every PCM or ADPCM CPS-Packet sent on AAL2 is an integer number of EDUs.

**LI: Length Indicator.** The LI is a 6-bit field encoded with a value that is one less than the number of octets in the CPS-Packet Payload portion of a CPS-Packet.

**SID: Silent Insertion Descriptor.** A SID CPS-Packet is an AAL2 CPS-Packet containing a single byte of payload that is inserted when a valid CPS-Packet has been suppressed because it was silent. The payload byte indicates the energy level of the voice that was suppressed.

**UUI: User-to-User Indication.** The UUI is a 5-bit field contained within the AAL2 header that is used to indicate the type of an AAL2 CPS-Packet. When indicating voice data, the UUI is often used as a 4-bit sequence number.

## 5.3 Terms Specific to this Specification

**AAL2 Channel:** Any sub-channel carried by an AAL2 VC. An AAL2 channel is uniquely identified by its CID and the VPI/VCI of the VC it belongs to.

**AAL2 CPS-Packet:** A CPS-Packet contained within one or many AAL2 cells. AAL2 CPS-Packets contain 3 bytes of overhead (including CID, LI, UUI and HEC) and from 1 to 64 bytes of payload. Because of this 64-byte maximum, they can straddle many cells. Also known as CPS-packet.

**HDLC Stream:** A group of HDLC channels that are carried over the same time slots. HDLC CPS-Packets in streams have an address byte that indicates to which HDLC channel they belong. Usually, HDLC streams carry a series of channels communicating to and from the same agent (e.g. a DSP). HDLC Streams must be carried over a single H.100 stream and over one or multiple consecutive time slots on that stream.

**HDLC channel:** An HDLC channel carries CPS-Packets destined to the same AAL2 channel. All CPS-Packets of an HDLC channel are carried by the same HDLC stream.

**PDV: Packet Delay Variation.** AAL2 CPS-Packets arrive with a certain delay with respect to when they were sent. PDV is a measure of how much that delay varies on an AAL2 channel. PDV measures the peak-to-peak packet delay throughout the network. PDV is only relevant on CBR connections.

**Time Slot:** In this document, the term time slot is often used to define a combination of a time slot and a stream on the H.100 bus. Thus a time slot would represent a single 8-bit slot every 125 us on the TDM bus.

## 5.4 Register Types

**CNT:** Counter. Events in the MT90502 will cause the counter to increment.

**CRL:** Counter Roll-Over: This bit indicates its respect counter has wrapped.

**IE:** Interrupt Enable. This is a register bit that enables a status event to generate an interrupt. This bit is always active-high.

**PC:** Process Control bit. This is a register bit type that is written to '1' to initiate a hardware process. When the process completes, the hardware clears the bit.

**PUL:** Pulse. This bit is used to set an event. Setting this bit, creates a pulse in the MT90502 of 1 clock period. The hardware then clears this bit.

**RO:** Read Only. This serves to define registers that cannot be written to by the CPU.

**ROL:** Read Only Latch. This defines status bits. Status bits cannot be written to '1' by the CPU; however, once the status bit is set, the CPU can clear it by writing a '1' over it.

**RW:** Read Write. This type of register bit will be readable and writable by the CPU.

**TS:** Test Status. This type is for test purposes only and should not be written by the user.

**WO:** Write Only. This type of register bit is writable by the CPU. The value read back by the CPU may not reflect the true value of the bit.

## 5.5 Units and Conventions

All numbers in this document are decimal unless otherwise specified.

Hexadecimal numbers can be identified by the 'h' suffix (e.g. 00A5h).

Binary numbers are either in double quotes for multiple bits or in single quotes for individual bits (e.g. "1001", '0').

All addresses are specified in hexadecimal and point to bytes.

Addresses are converted from bytes to words to double words using the little endian format, unless otherwise specified.

6.0 Mechanical Drawing

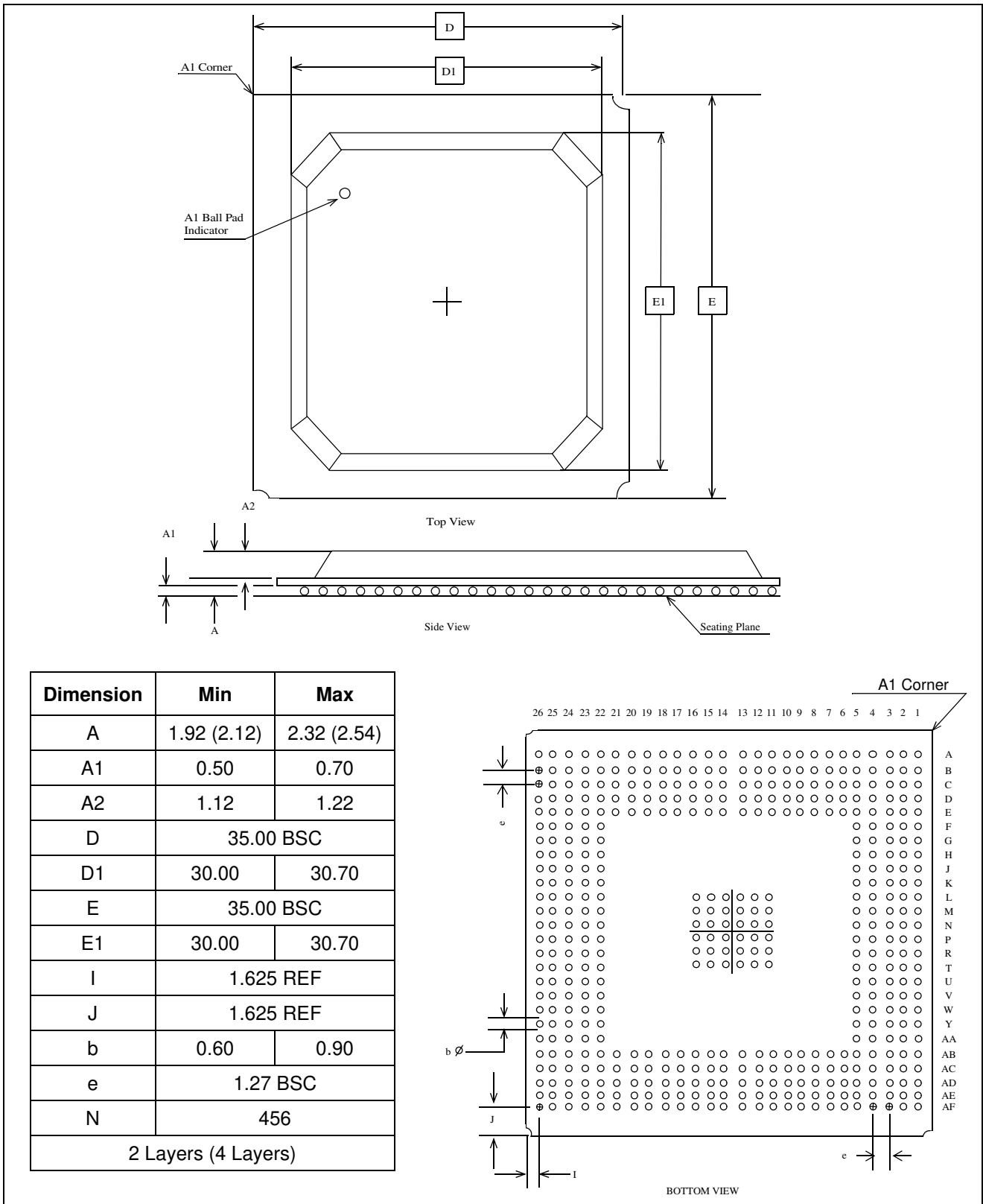


Figure 86 - MT90502 Package Outline Drawing (456 PBGA)