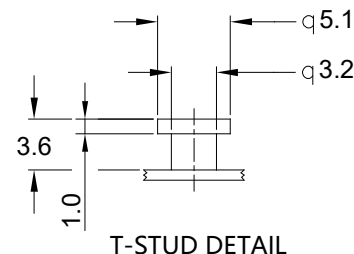
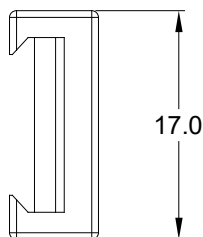
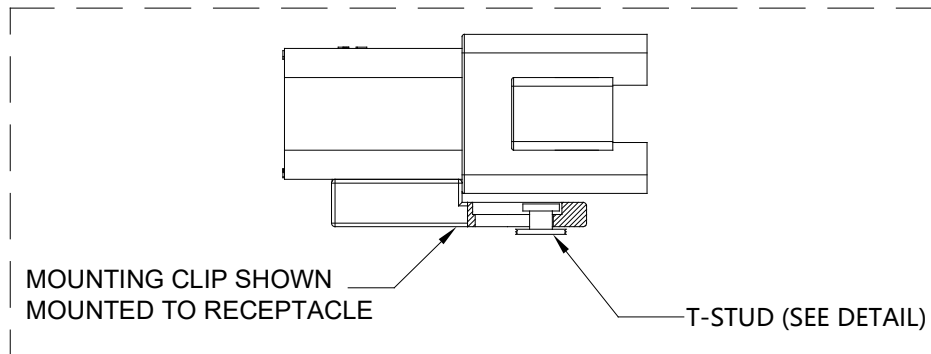
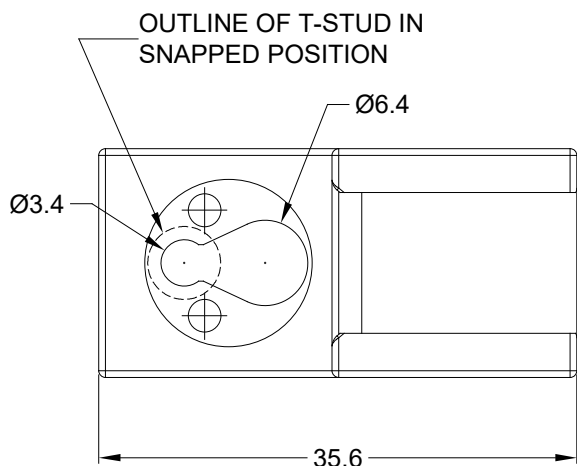
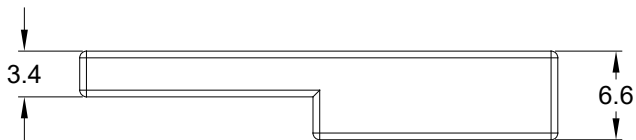


REVISIONS					
REV	ECO	DESCRIPTION	DATE	BY	APPR
A1	--	RELEASE NEW DRAWING	05/JUL/19	JOE	TOMMY



NOTES: UNLESS OTHERWISE SPECIFIED

1. MATERIAL: THERMOPLASTIC; COLOR: BLACK

2. RoHS COMPLIANT

3. USE WITH CONNECTORS
 A.AT04-2P*/3P*/4P*/6P*/12P*
 B.ATM04-2P*~12P*
 C.ATP04-2P*/4P*
 D.ATV04-*
 E.ATHD04-*
 (* = MODIFICATIONS AND/OR COLORS)

4. ALL DIMENSIONS ARE FOR REFERENCE USE ONLY.

AT11-030-0205		REF: 011-030-0205	
QUANTITY	PART NUMBER	DESCRIPTION	ITEM
MATERIALS LIST			
UNLESS OTHERWISE SPECIFIED 1) All dimensions are in metric(mm). 2) Tolerances are as follows: 1 PL DEC ±0.30 Fractions ±1/64 2 PL DEC ±0.15 Angles ±1° 3 PL DEC ±0.08 3) Note reference =		SIGNATURES DATE DRAWN: JOE.SONG 05/JUL/19 CHECKED: ORION.LI 05/JUL/19 ENGINEER: APPROVAL: TOMMY.XIE 05/JUL/19 CUSTOMER: THIS DRAWING IS SUPPLIED FOR INFORMATION ONLY. DESIGN FEATURES, SPECIFICATIONS AND PERFORMANCE DATA SHOWN HEREON ARE THE PROPERTY OF THE AMPHENOL CORPORATION. NO RIGHTS OF REPRODUCTION ARE IMPLIED. ALL DIMENSIONS ARE SUBJECT TO NORMAL MANUFACTURING VARIATIONS.	<h1>Amphenol</h1> <p>Sine Systems - www.amphenol-sine.com 44724 Morley Drive Clinton Township, MI 48036</p>
MATERIAL SPECIFICATIONS:		MOUNTING CLIP,AT,ATM,ATP,PLASTIC,BLK	
PROCESS SPECIFICATIONS:		SIZE TYPE DWG NO: REVISION A C- AT11-030-0205 A1	
NEXT ASSY:		SCALE: NONE	SHEET 1 OF 1