

MATERIALS AND FINISHES

BODY ZINC
PLATED NICKEL

CENTER CONTACT PHOSPHOR BRONZE
PLATED GOLD

INSULATOR POLYPROPYLENE (94-V0)

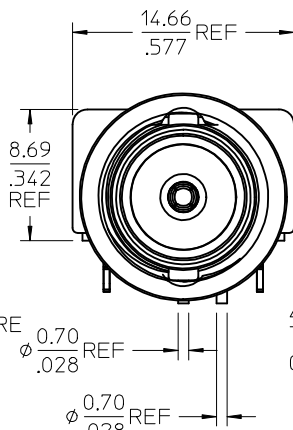
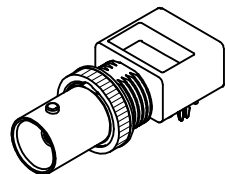
BOARD CLIPS PHOSPHOR BRONZE
PLATED SEE TABLE

SOLDER TAIL(GROUND) COPPER COVERED STEEL WIRE
PLATED SEE TABLE

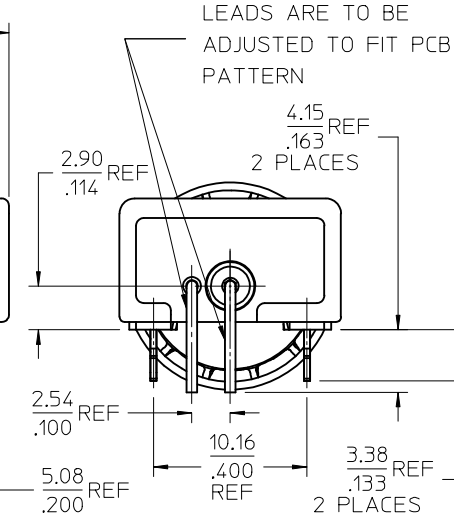
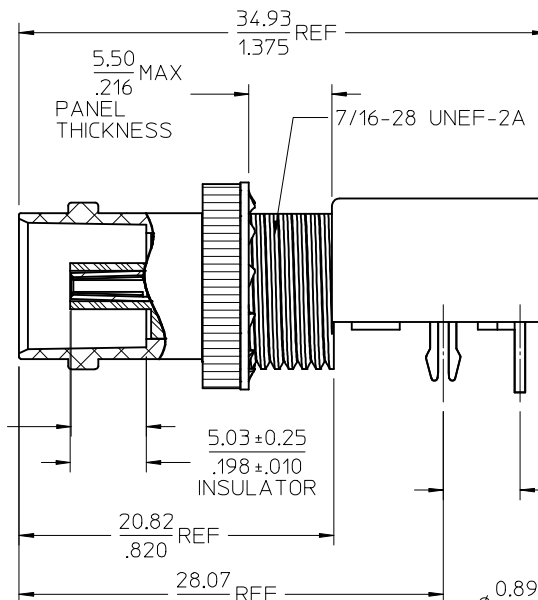
SOLDER TAIL(CONTACT) BRASS
PLATED SEE TABLE

WASHER PHOSPHOR BRONZE
PLATED NICKEL

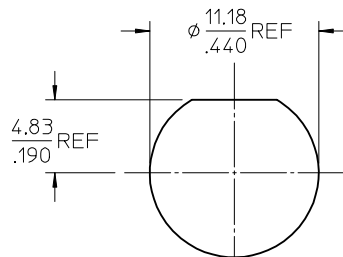
NUT BRASS
PLATED NICKEL



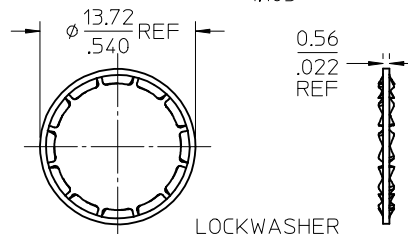
4.98 ± 0.25
.196 ± 0.10
CONTACT



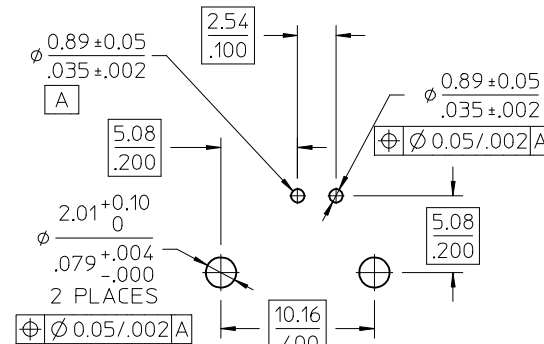
LEADS ARE TO BE
ADJUSTED TO FIT PCB
PATTERN



RECOMMENDED MOUNTING HOLE
TORQUE: 0.56 N-m(5 INCH-LBS) MAX

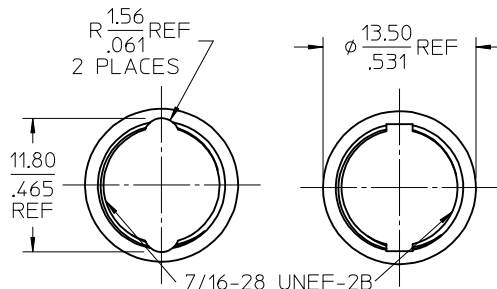


LOCKWASHER



RECOMMENDED PCB HOLE
CONFIGURATION

- NOTES:
1. PCB PLACEMENT: SUITABLE FOR MANUAL HAND PLACEMENT ONLY. MINOR SOLDER TAIL MANIPULATION MAY BE REQUIRED FOR PLACEMENT.
 2. PCB PATTERN SHOWN IS FOR REFERENCE ONLY.



SLOT OPTION

73171-0705	73171-0700 NO HARDWARE INCLUDED / TRAY PACK
73171-0704	73171-0701, TRAYS, HARDWARE IN SEPERATE BAG
73171-0703	73171-0700, TRAYS, HARDWARE IN SEPERATE BAG
73171-0702	73171-0700, ONE PER BAG/BRIGHT TIN
73171-0701	PLASTIC TRAYS/MATTE TIN
73171-0700	PLASTIC TRAYS/BRIGHT TIN
PART NO.	PACKAGING/PLATING

PS-89675-1030	ELECTRO/MECH PROFORM.
SPECIFICATION	DESCRIPTION

CHGADD TOL.&NOTES OF PCB LAYOUT PER RF14-E124 EC NO: URF2014-0610 DRW:WME102 2014/04/25 CHKD: APPR:MHUANG 2014/06/05 REV B6	QUALITY SYMBOLS ▽=0 ▽=0	GENERAL TOLERANCES (UNLESS SPECIFIED) <table border="1"> <tr> <th></th> <th>mm</th> <th>INCH</th> </tr> <tr> <td>4 PLACES</td> <td>± ---</td> <td>± ---</td> </tr> <tr> <td>3 PLACES</td> <td>± ---</td> <td>± ---</td> </tr> <tr> <td>2 PLACES</td> <td>± ---</td> <td>± ---</td> </tr> <tr> <td>1 PLACE</td> <td>± ---</td> <td>± ---</td> </tr> </table> ANGULAR ± 2 °		mm	INCH	4 PLACES	± ---	± ---	3 PLACES	± ---	± ---	2 PLACES	± ---	± ---	1 PLACE	± ---	± ---	DIMENSION STYLE MM/IN	SCALE DESIGN UNITS METRIC	THIRD ANGLE PROJECTION
		mm	INCH																	
	4 PLACES	± ---	± ---																	
	3 PLACES	± ---	± ---																	
2 PLACES	± ---	± ---																		
1 PLACE	± ---	± ---																		
DRAWN BY TEF DATE 1999/02/21 CHECKED BY DATE DHG 1999/02/21 APPROVED BY GMH DATE 1999/02/21		TITLE BNC JACK,R/A LOW PROFILE 75 OHMS, EWR-2320 BNC-J/PCB		MOLEX INCORPORATED																
DRAFT WHERE APPLICABLE MUST REMAIN WITHIN DIMENSIONS		MATERIAL NO. SEE TABLE		DOCUMENT NO. SD-73171-070																
THIS DRAWING CONTAINS INFORMATION THAT IS PROPRIETARY TO MOLEX INCORPORATED AND SHOULD NOT BE USED WITHOUT WRITTEN PERMISSION																				