

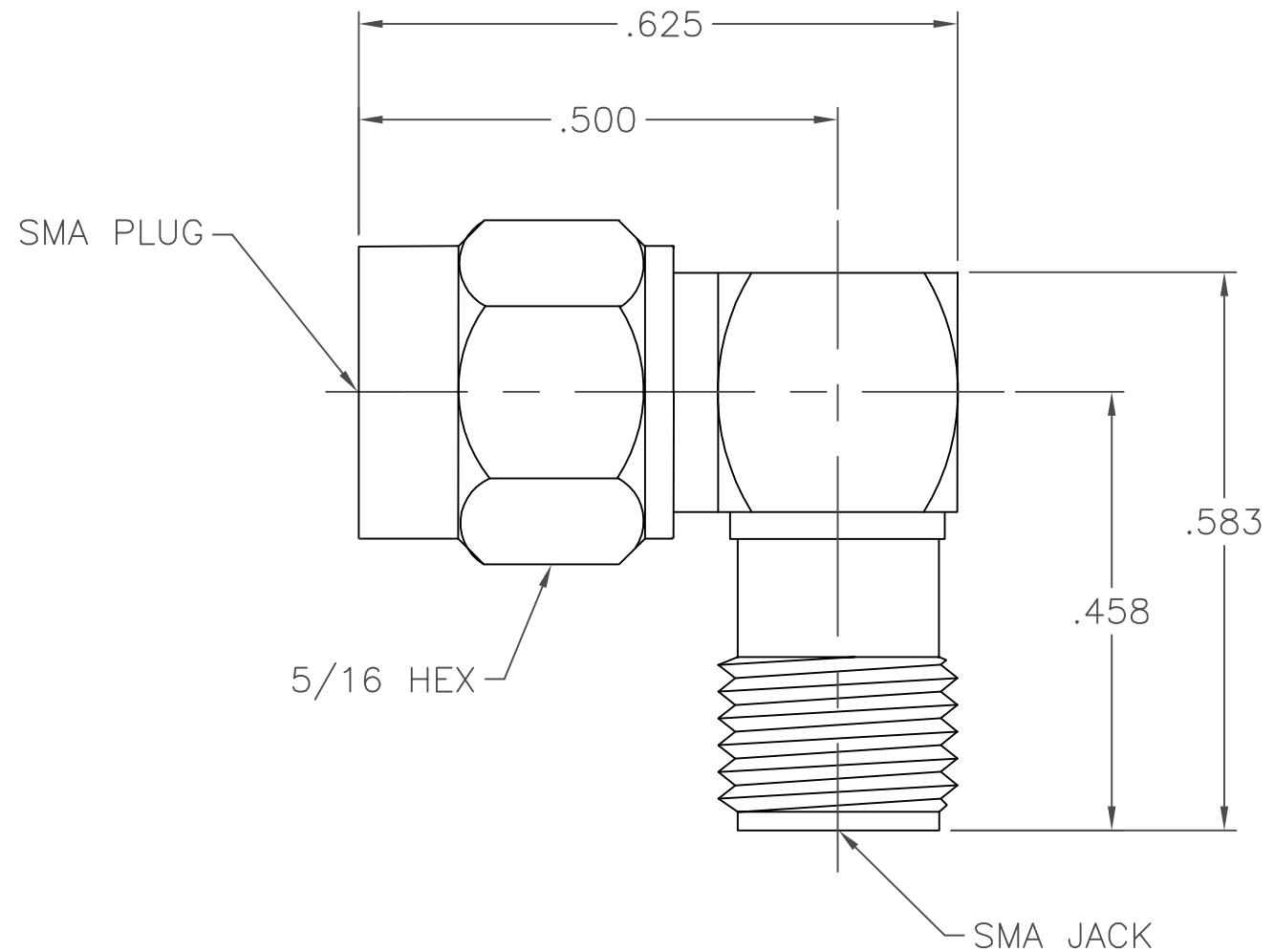
NOTES:

- 1.0 MATERIAL AND FINISH:
 - 1.1 HOUSING AND COUPLING NUT: PASSIVATED STAINLESS STEEL
 - 1.2 CENTER CONTACT: GOLD PLATED BERYLLIUM COPPER
 - 1.3 DIELECTRIC: PTFE (TEFLON)

- 2.0 MECHANICAL:
 - 2.1 INTERFACE PER MIL-STD-348 IN ACCORDANCE WITH MIL-A-55339.
 - 2.2 CENTER CONTACT CAPTURED IN ACCORDANCE WITH MIL-A-55339.

- 3.0 ELECTRICAL:
 - 3.1 FREQUENCY: DC - 18 GHz
 - 3.2 VSWR: 1.05+.010f(GHz)

ALL OTHER MECHANICAL, ELECTRICAL, AND ENVIRONMENTAL CHARACTERISTICS ARE IN ACCORDANCE WITH MIL-A-55339/2.



REV.	DESCRIPTION	DATE
-	RELEASED	3/16/93
-1	ADDED TITLEBLOCK	3/17/05
C	ECO 23307	2/22/11
D	ECO 23736	8/4/11
E	ECO 24786	5/24/13

NOTICE: The information contained in this drawing is proprietary and must not be used without the permission of Emerson Network Power.

UNLESS OTHERWISE NOTED DIMENSIONS ARE IN INCHES AND TOLERANCES ARE:
 3 PLACE DECIMALS ±.005
 2 PLACE DECIMALS ±.02
 FRACTIONS ±1/64
 PARALLELITY: T.I.R. _____
 FLATNESS: T.I.R. _____
 CONCENTRICITY: T.I.R. _____
 ANGLES AND PERPENDICULARITY: ±1'

CAGE CODE 34078		MIDWEST MICROWAVE	
		TITLE ADAPTER SMA RIGHT ANGLE PLUG TO SMA JACK OUTLINE DRAWING	
		DRAWING NUMBER ADT-8000-MF-SMA-02-01	REV. E
DRAWN/DATE C. WALLACE 8/16/13	ENG./DATE P. KLYVE 5/24/13	SCALE: N/A	SHEET 1 of 1