

Series **D XX S 24B 6 XX 09 LF**

Number of contacts  
09 , 15 , 25 , 37 , 50

**Contacts**  
S : Socket

**Plating**  
6 = 500 Mating / Unmating Mini

**Packaging specification**  
Tray

**See Note RoHS**

### Termination

Code	Type	Foot Print/Pitch	Length of termination	PCB thickness
24B	Straight version	6 / 2.84mm	2.90	2.4

### Mounting Options

RL	Insert M3
RV	Female Screw UNC 4-40
RX	Insert UNC 4-40

### NOTE RoHS INFORMATION

- The "LF" product meet european union Directives and other country regulations asdescribed in GS-22-008.
- The housing will whistand exposure to 260<sup>o</sup> peak temperature for 30 seconds in a convection , infra-red or vapor reflow oven. See application notes/procedures if are available.
- Termination plating spec:1.27 $\mu$  Nickel mini,2.5 to 7.5 $\mu$  Sn(pure mate)
- Shell plating : Nickel bright
- Accessories : Sn pure bright
- Packaging spec ; See GS-14-920

### Product Specification

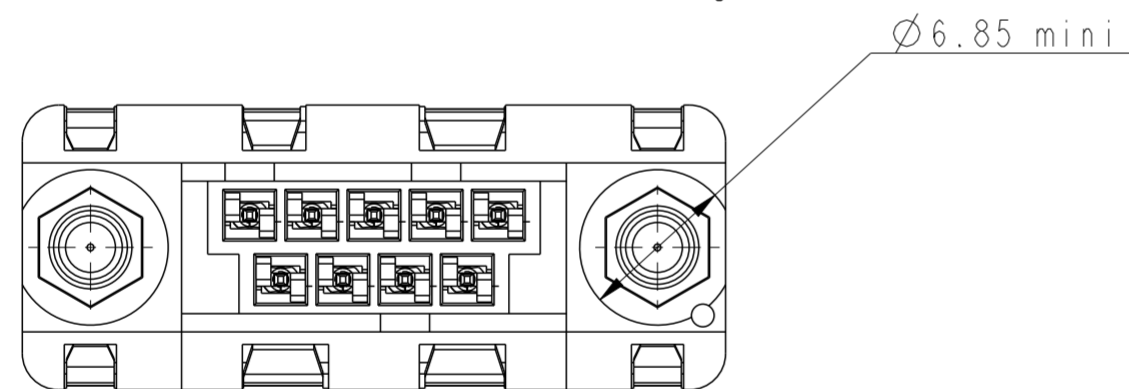
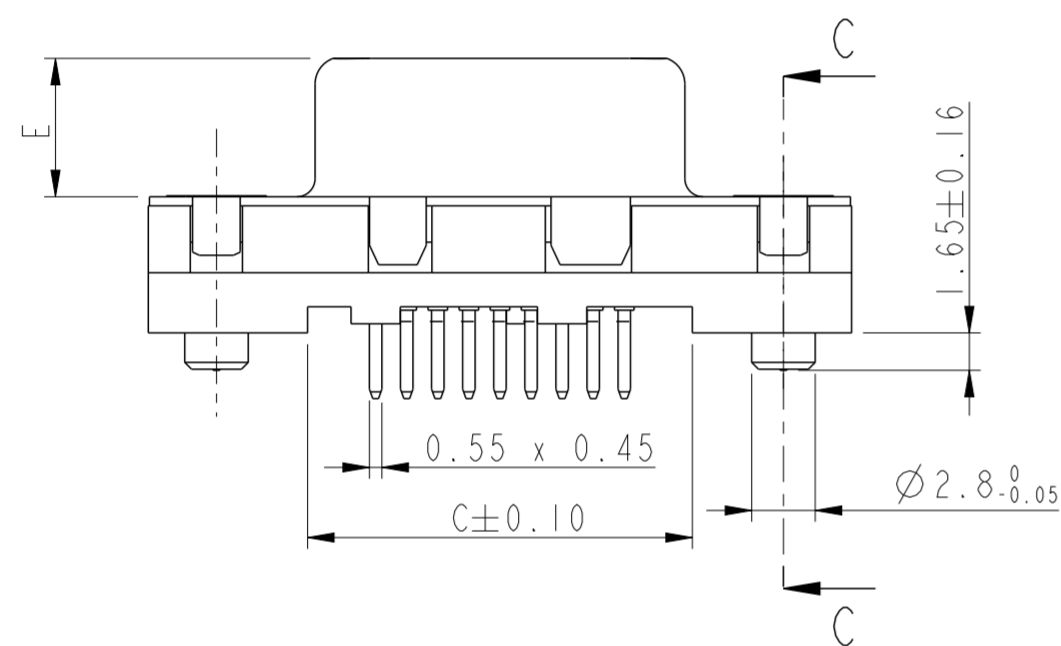
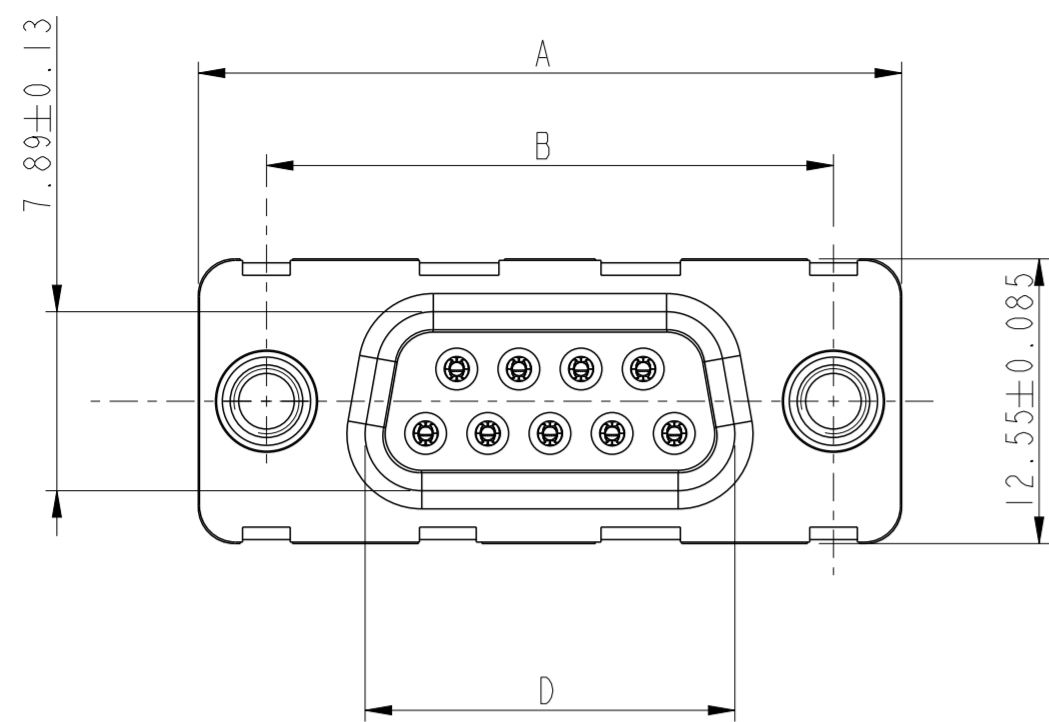
see : GS-12-372

### Packaging Specification

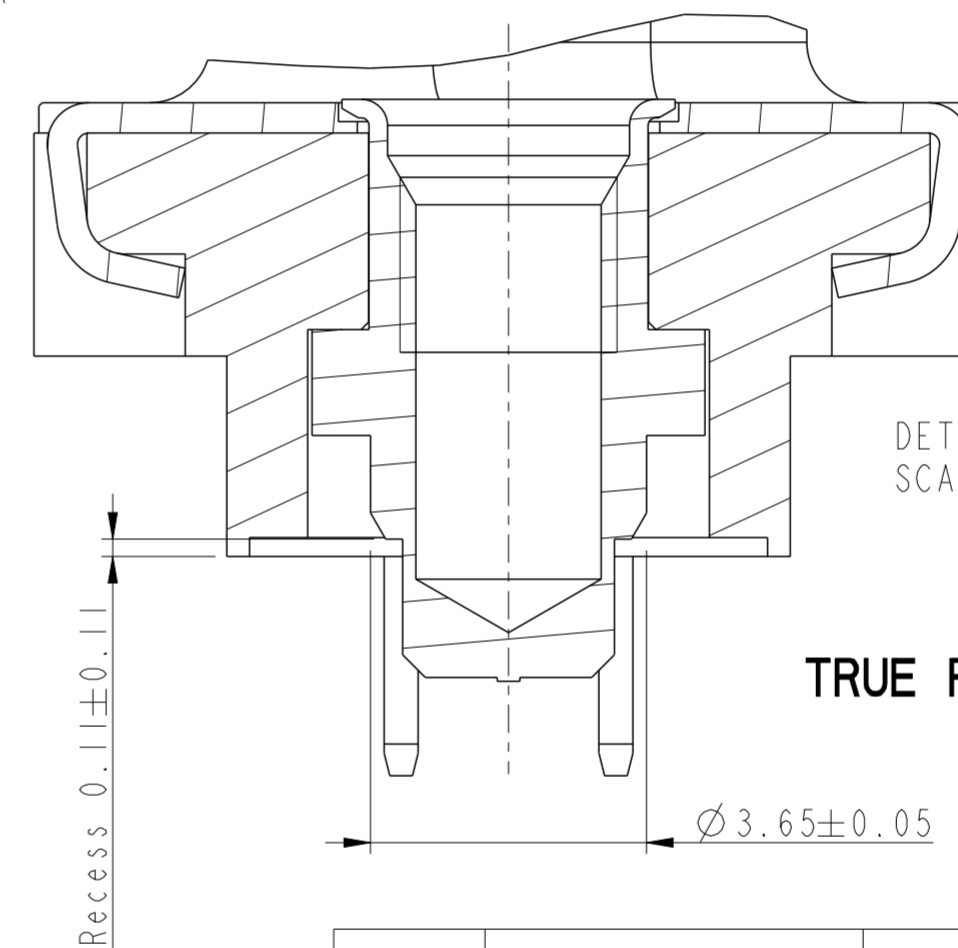
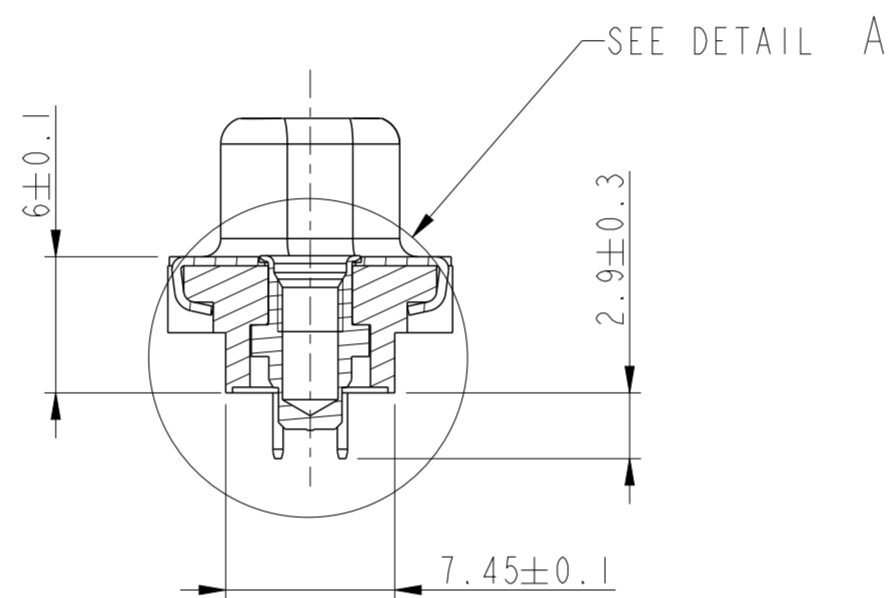
See GS-14-1061

rev	ecn no	dr	date
I	CREATED	HL	06/08/24
A	LS06-0223	PCR	2006/12/21
B	LS07-0007	PCR	2007/01/11
C	110-0120	NG	2010-05-27
D	110-0197	NG	2010-10-14
-	-	-	-
-	-	-	-

www.fciconnect.com		surface <input checked="" type="checkbox"/> ISO 1302	tolerance std ISO 406 ISO 1101	projection	mm
TOLERANCES UNLESS OTHERWISE SPECIFIED					
Dr	P. CRON	02/02/06	ANGULAR	0.X ±0.3	Scale 1:1
Eng	H. LEGALLIC	02/02/06	LINEAR	0.XX ±0.1	size A3
Chr	NIRMAL G	2010-10-14	0° ±2°	0.XXX ±0.05	ECN 110-0197
Appr	SUDHIR V	2010-10-14	Product family	-	Spec ref -
		SUB DELTA D PIP FEMALE H=2.9		dwg no C01-8646-0884	Rev. D
		straight for tray		CUSTOMER	sheet 1 of 3
		catalog no SEE TABLE			



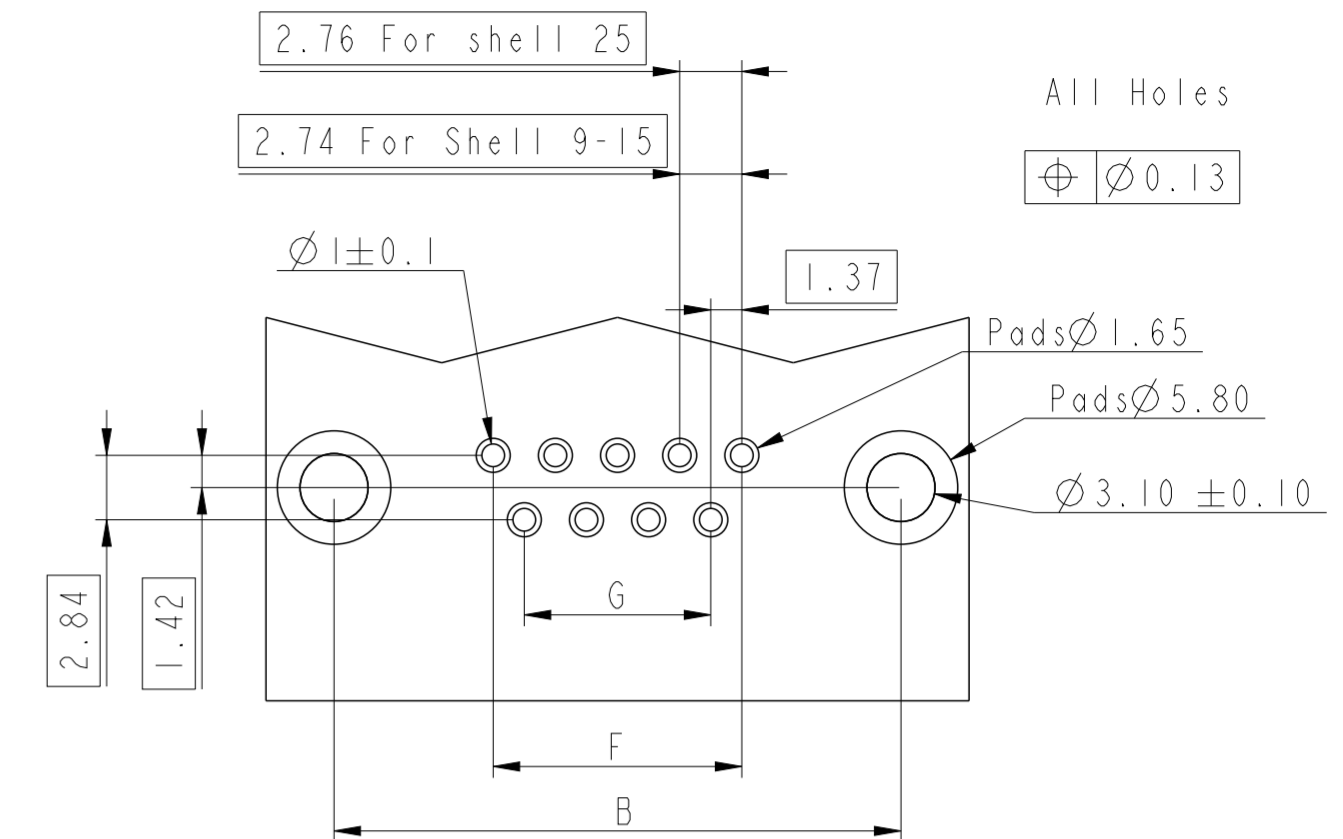
SECTION C-C



DETAIL A  
SCALE 10:1

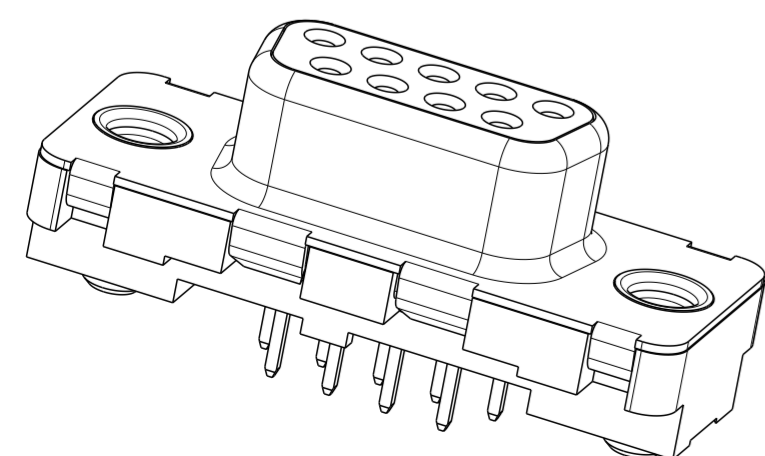
TRUE POSITIONING :  $\oplus \text{Ø}0.36$

PCB Card Drilling dimensions and Pads recommended  
(after plating - Thickness : 2.40 mm)

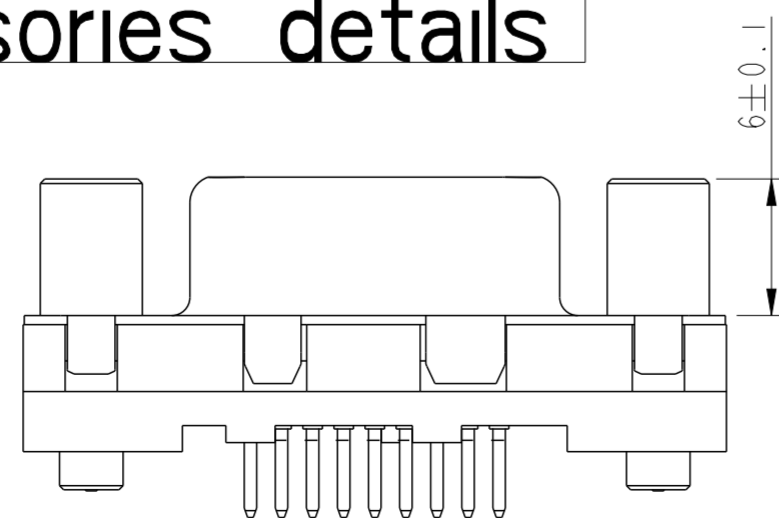


SHELL	P/N LEAD FREE	A ±0.38	B ±0.10	C ±0.10	D +0.25 0	F	G
09	D09S24B6xx09LF	30.81	24.99	16.96	16.21	10.96	8.22
15	D15S24B6xx09LF	39.14	33.32	25.18	24.54	19.18	16.44
25	D25S24B6xx09LF	53.03	47.04	39.12	38.25	33.12	30.36
37	D37S24B6xx09LF	69.32	63.50	55.68	54.71	49.68	46.92

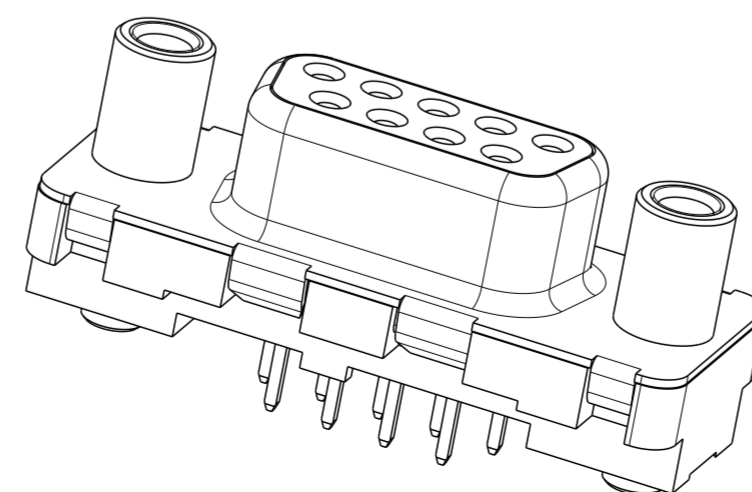
Accessories details



TYPE RX / RL



TYPE RV



www.fciconnect.com		surface <input checked="" type="checkbox"/> ISO 1302	tolerance std ISO 406 ISO 1101	projection $\oplus \text{—}$	mm
TOLERANCES UNLESS OTHERWISE SPECIFIED					
Dr P. CRON	02/02/06	ANGULAR	0.x ±0.3	size A2	Scale 1:1
Eng H. LEGALLIC	02/02/06	LINEAR	0.xx ±0.1	ECN 110-0197	
Chr NIRMAL G	2010-10-14	0° ±2°	0.xxx ±0.05	Spec ref	
Appr SUDHIR V	2010-10-14	Product family			
FCJ		TITLE SUB DELTA D PIP FEMALE H=2.09 straight for tray		C01-8646-0884	
catalog no		SEE TABLE	CUSTOMER	sheet 2 of 3	

1

2

3

4

A

B

C

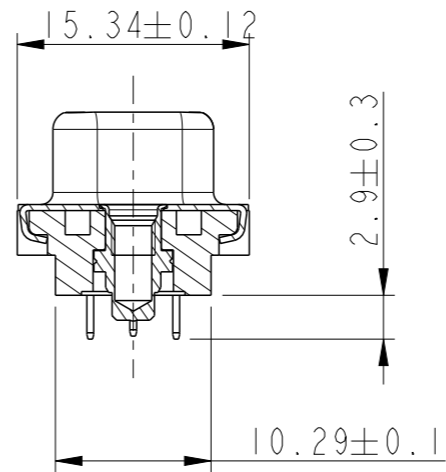
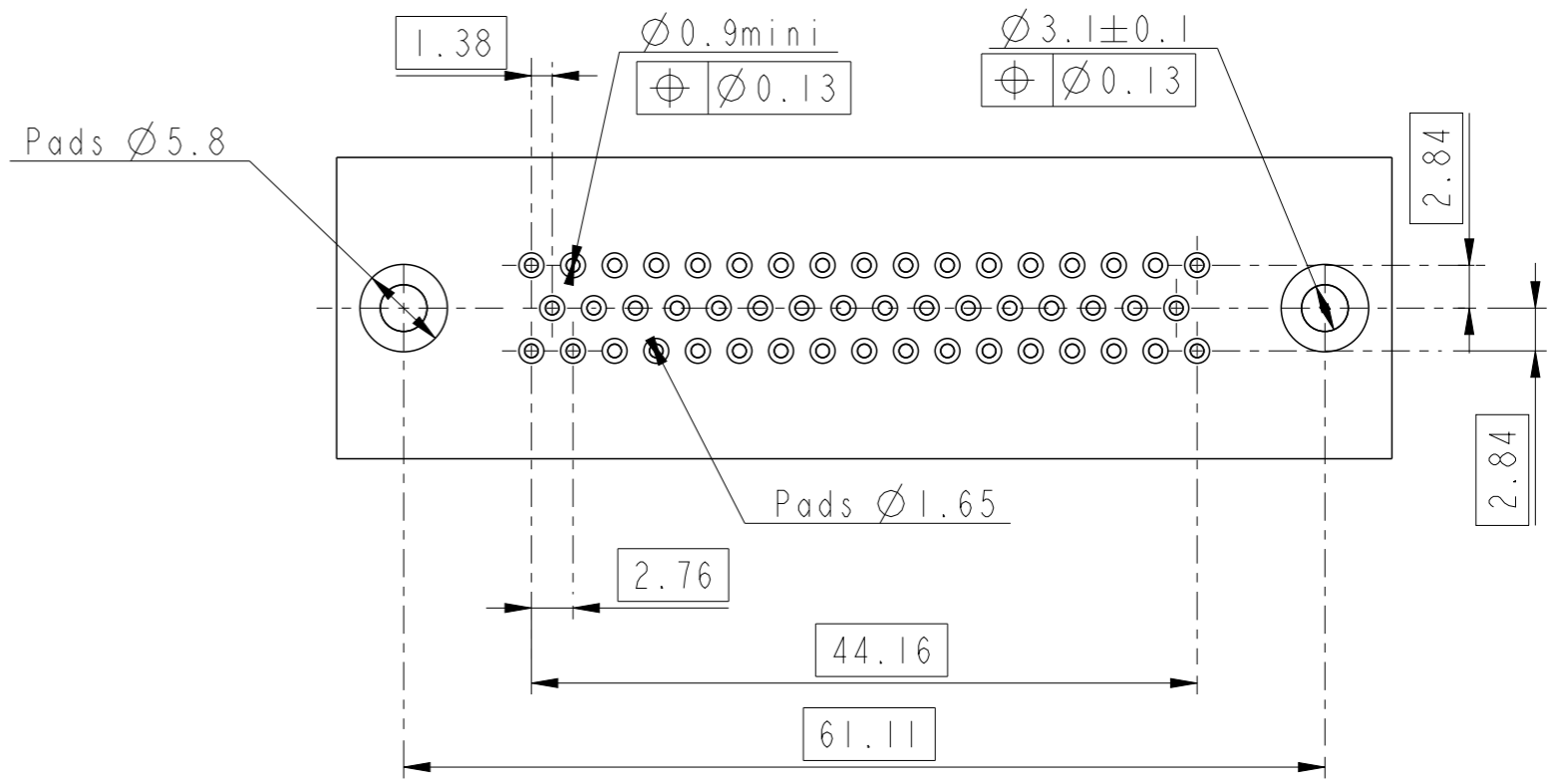
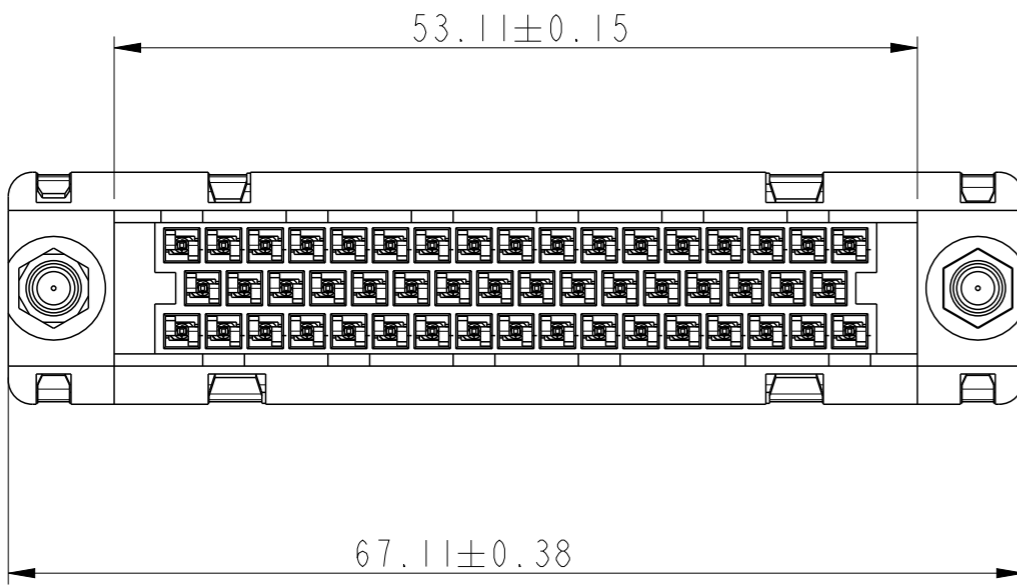
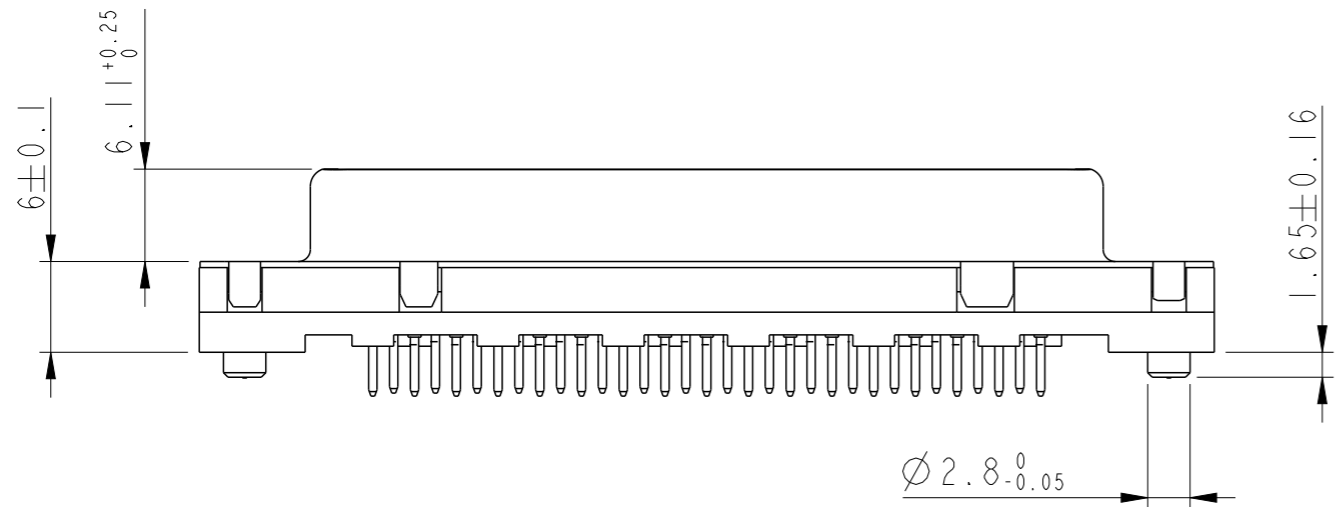
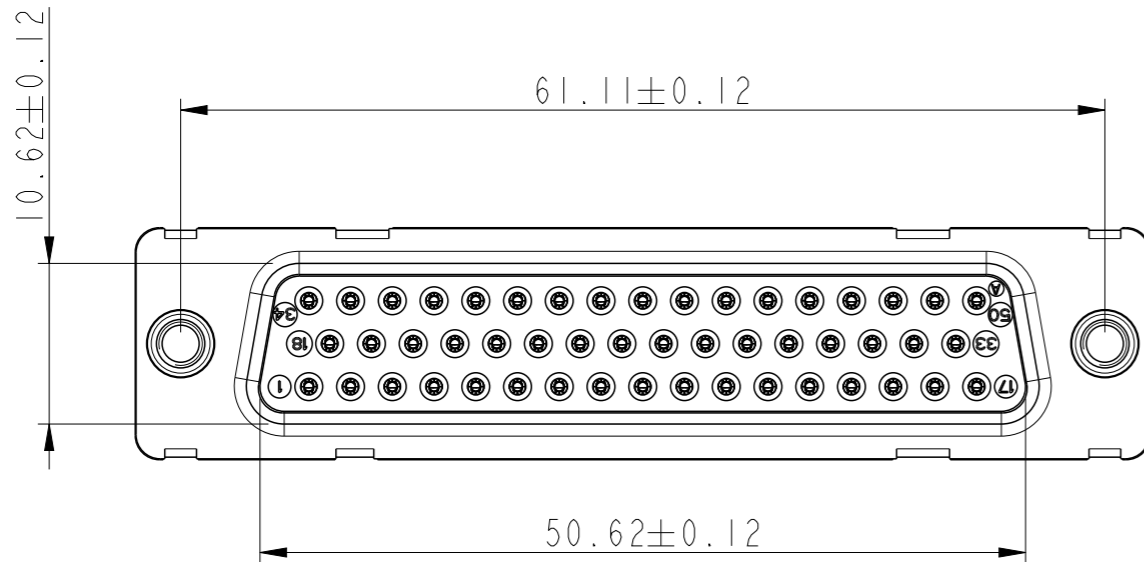
D

A

B

C

D



SECTION A-A

P/N LEAD FREE  
D50S24B6xx09LF

FOR xx SEE SHEET 1



Copyright FCI.

www.fciconnect.com		surface - ✓ ISO 1302	tolerance std ISO 406 ISO 1101	projection ⊕-⊖	mm ↔
TOLERANCES UNLESS OTHERWISE SPECIFIED					
Dr	P. CRON	02/02/06	ANGULAR	0.X ±0.3	size A3 Scale 1:1
Eng	H. LEGALLIC	02/02/06	LINEAR	0.XX ±0.1	ECN 110-0197
Chr	NIRMAL G	2010-10-14	0° ±2°	0.XXX ±0.05	Spec ref -
Appr	SUDHIR V	2010-10-14	Product family		
FCI		SUB DELTA D PIP FEMALE H=2.9 straight for tray		dwg no C01-8646-0884	Rev. D
catalog no		SEE TABLE		CUSTOMER	sheet 3 of 3

REV F - 2006-04-17

1

2

3

4