

# SPECIFICATIONS

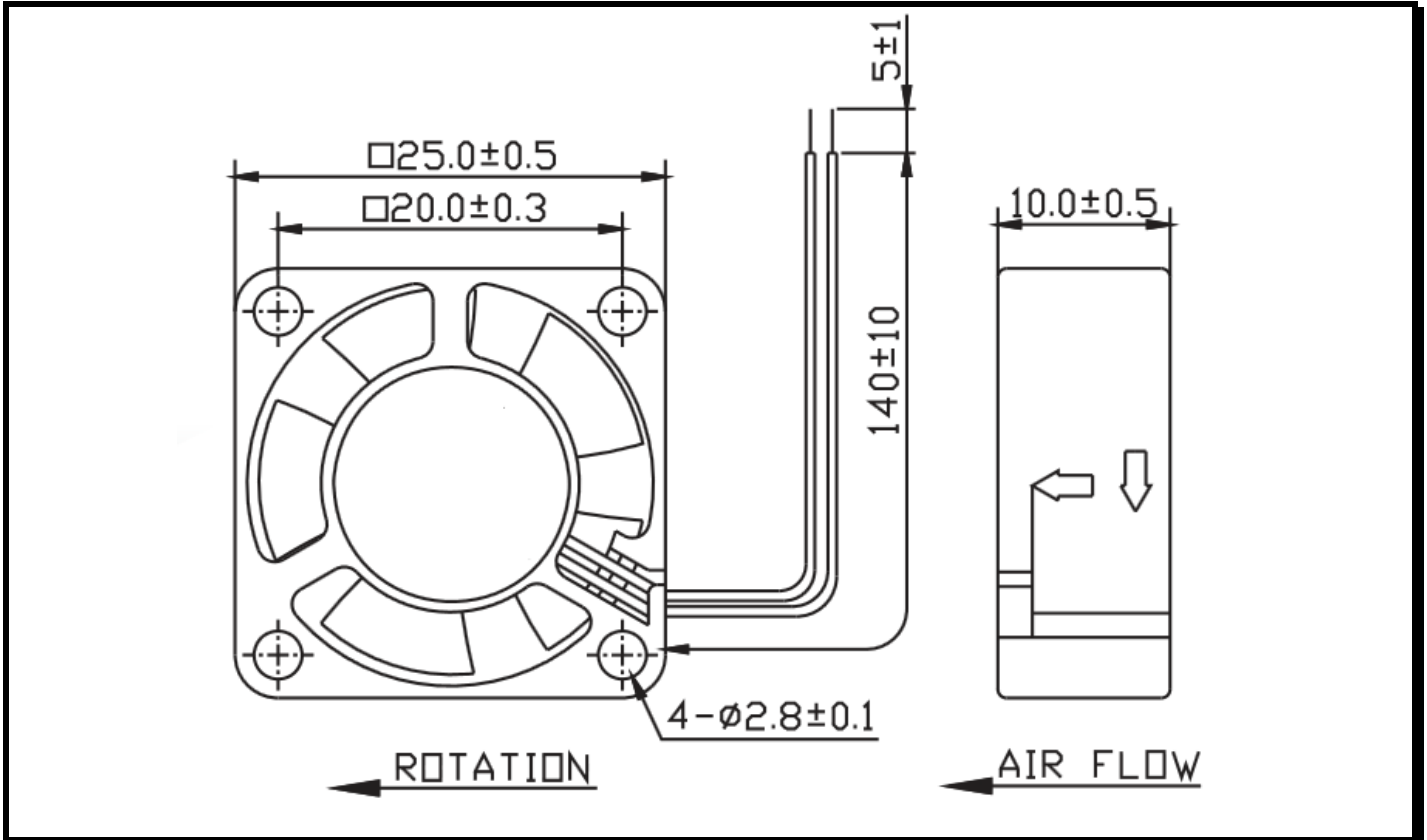
"Preliminary data"



**Model Number:** CR0212LB-G50(GL)  
**Part Number:** 17000197A

**Version:** Apr 11, 2017

## Mechanical Drawing:



### Motor:

|                         |                                 |
|-------------------------|---------------------------------|
| Nominal Voltage         | = 12 VDC                        |
| Nominal Running Current | = 0.05 Amps                     |
| Power Input             | = 0.54 Watts                    |
| Speed                   | = 8000 RPM                      |
| Bearings                | = Ball                          |
| Air Flow                | = 1.6 CFM                       |
| Static Pressure:        | = 0.09 Inch of H <sub>2</sub> O |
| Acoustic                | = 18.3 dB(A)                    |
| Weight                  | = 8.0 g                         |

### Construction:

Housing: UL94V-0 Glass Filled Polyester (P.B.T)  
Impeller: UL94V-0 Glass Filled Polyester (P.B.T)

### Life Expectancy:

This fan is designed for continuous duty life of 70,000 hours at 40°C.

### Additional Features:

Brushless DC Motor  
Locked Rotor Protection  
Polarity Protected  
Automatic Restart Capability  
Operating Temperature: -10° C to 70° C  
Storage Temperature: -40° C to 70° C

### Termination:

140 ± 10 mm Lead wires, AWG 28, UL 1571

### Agency Approvals:

UL, CUL, TUV, CE