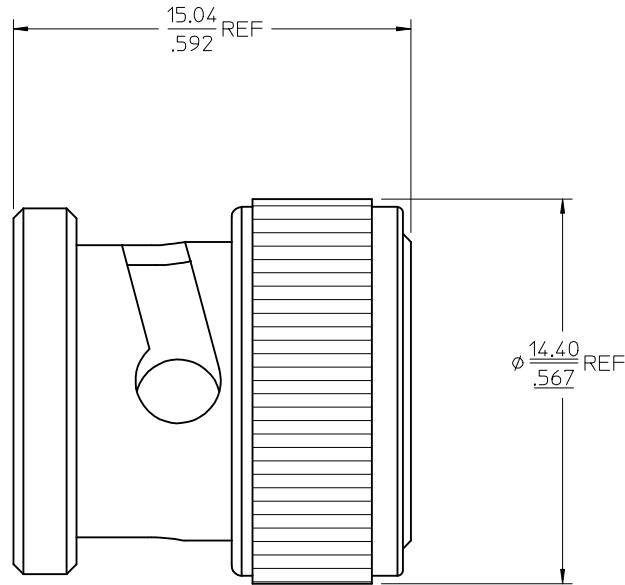
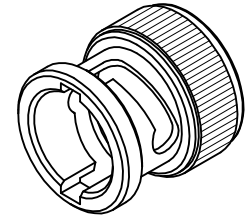


MATERIALS AND FINISHES

COUPLING NUT, CAP BRASS
PLATED NICKEL

GASKET SILICONE RUBBER



73415-1961	73415-1960, ONE PER BAG
73415-1960	POLY BAG
PART NO.	PACKAGING

CHG: -1960 POLY BAG WAS BULK PER RF15-E15-279 IEC NO: URF2016-0091 DRW: CWE102 2015/08/06 CHKD: APPR: YCHENG 2015/08/07	QUALITY SYMBOLS ▽=0 ▽=0 ▽=0	GENERAL TOLERANCES (UNLESS SPECIFIED)	DIMENSION STYLE MM/IN	SCALE	DESIGN UNITS METRIC	THIRD ANGLE PROJECTION	
		4 PLACES ± --- ± --- 3 PLACES ± --- ± --- 2 PLACES ± --- ± --- 1 PLACE ± --- ± --- 0 PLACE ± ±	DRAWN BY DATE AZR 2003/08/12	CHECKED BY DATE JDW 2003/08/12	TITLE BNC PLUG, DUST CAP EWR-2143 BNC-M		
		ANGULAR ± 2 °	APPROVED BY DATE GMH 2003/08/12	DOCUMENT NO. SD-73415-196			SHEET NO. 1 OF 1
		DRAFT WHERE APPLICABLE MUST REMAIN WITHIN DIMENSIONS	SEE TABLE	THIS DRAWING CONTAINS INFORMATION THAT IS PROPRIETARY TO MOLEX INCORPORATED AND SHOULD NOT BE USED WITHOUT WRITTEN PERMISSION			