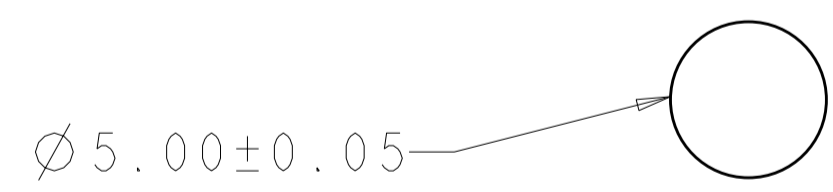
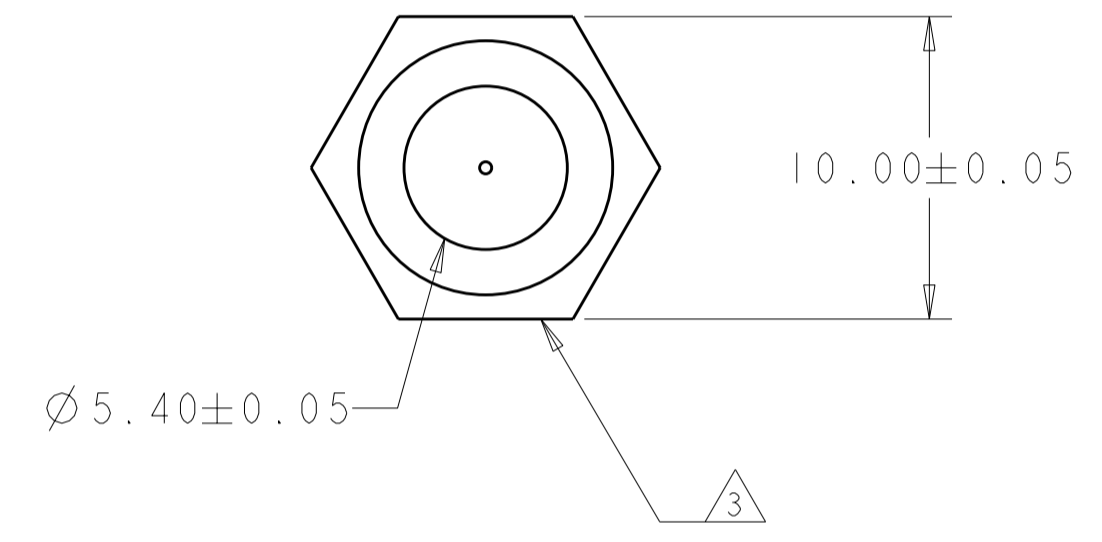
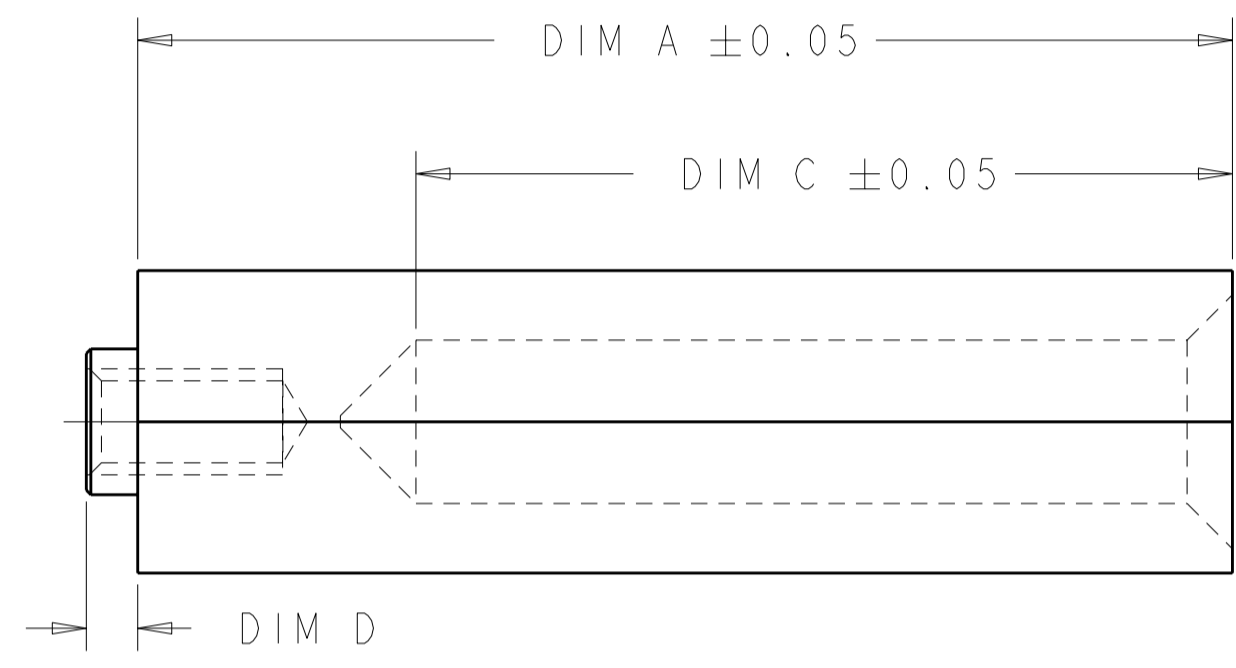
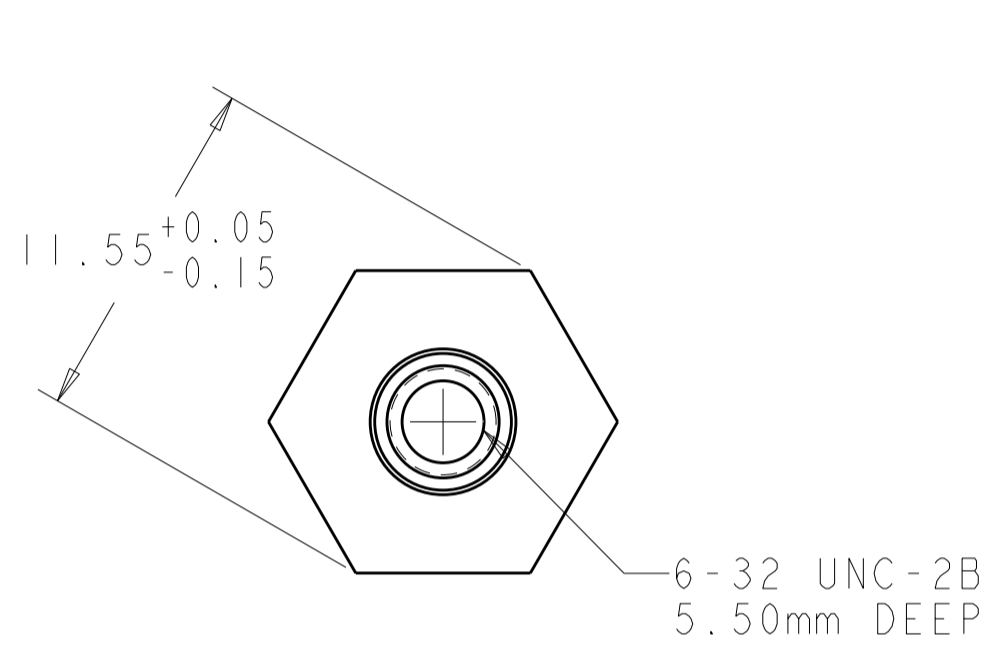


THIS DRAWING IS UNPUBLISHED. RELEASED FOR PUBLICATION 20
 © COPYRIGHT 20 BY TYCO ELECTRONICS CORPORATION. ALL RIGHTS RESERVED.

SCALE 4:1

LOC	DIST	REVISIONS			
P	LTR	DESCRIPTION	DATE	DWN	APVD
AG	00				
	2	Modified DIA to M6 Hex. Customer Request.	19JAN2010	D.YI	D.YI
	3	CHANGED TOLERANCE ON DIMENSION LOC: C4	10AUG2010	DH	DY
	A	REVISED PER ECO-10-016889	02SEP2010	DH	DY

- 1 MATERIAL: ZINC ALLOY DIE CASTING.
- 2 FINISH: CHROMATE CONVERSION COATING. (ROHS COMPATIBLE).
- 3 M6 HEX NUT SIZE
USE 10MM SOCKET OR WRENCH FOR FIXTURING



RECOMMENDED P.C. BOARD LAYOUT

2.20	27.0	36.2	1645546-6
1.70	30.0	39.2	1645546-5
1.70	18.0	27.2	1645546-4
1.70	6.0	15.2	1645546-3
1.70	3.0	12.2	1645546-2
1.70	27.0	36.2	1645546-1
DIM D	DIM C	DIM A	Part Number

THIS DRAWING IS A CONTROLLED DOCUMENT FOR TYCO ELECTRONICS CORPORATION. IT IS SUBJECT TO CHANGE AND THE CONTROLLING ENGINEERING ORGANIZATION SHOULD BE CONTACTED FOR THE LATEST REVISION.		DWN D.YI 02-Sep-10	Tyco Electronics Harrisburg, PA 17105-3608	
DIMENSIONS: mm		CHK D.YI 06 JAN 10	NAME MODULE, VERTICAL FEMALE UNIVERSAL POWER MODULE	
TOLERANCES UNLESS OTHERWISE SPECIFIED: 0 PLC ±- 1 PLC ±- 2 PLC ±- 3 PLC ±0.013 4 PLC ±- ANGLES ±30° FINISH		APVD D.YI 06 JAN 10	RESTRICTED TO -	
MATERIAL		PRODUCT SPEC -	SIZE A200779	DRAWING NO 1645546
1		APPLICATION SPEC -	SCALE 3:1	
2		WEIGHT -	SHEET 1 OF 1	
CUSTOMER DRAWING		REV A		