

REVISIONS					
P	LTR	DESCRIPTION	DATE	DWN	APVD
D1		ECR-19-014657	13DEC2020	RR	SZ

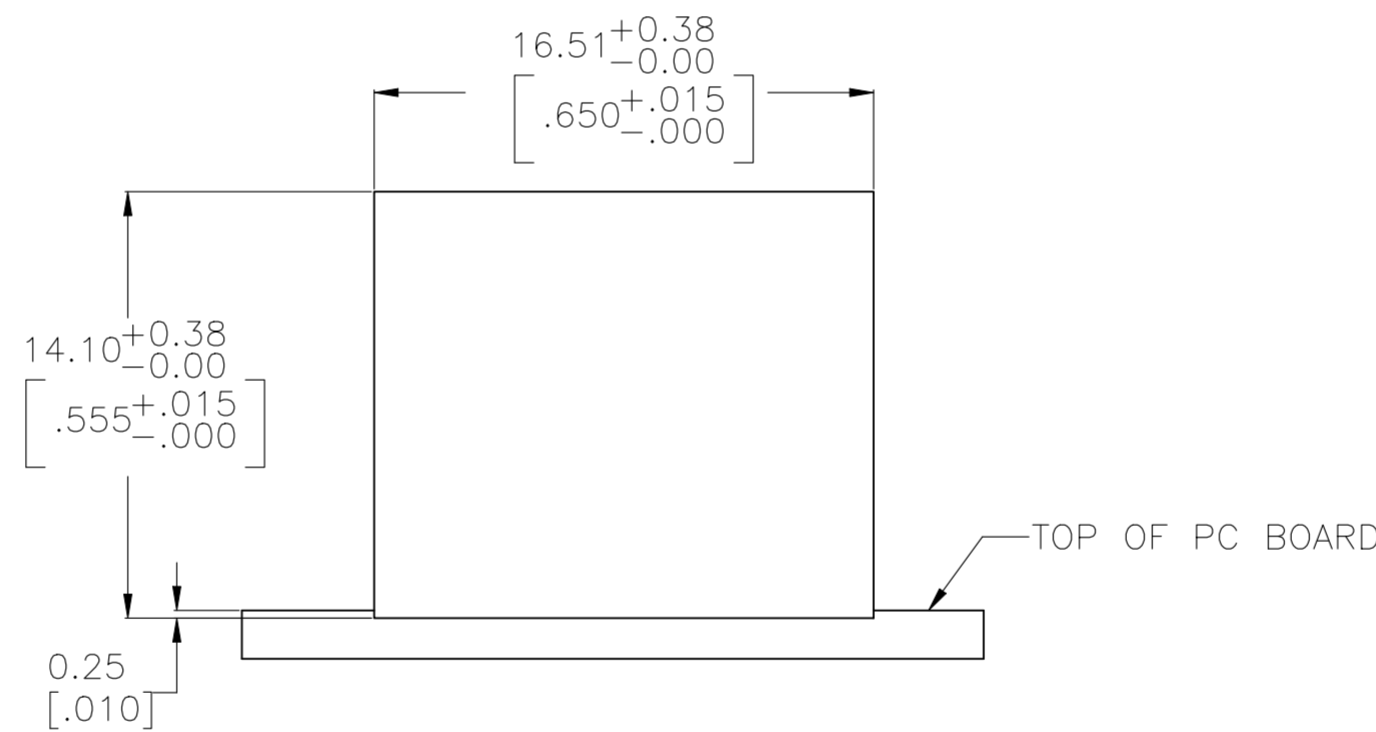
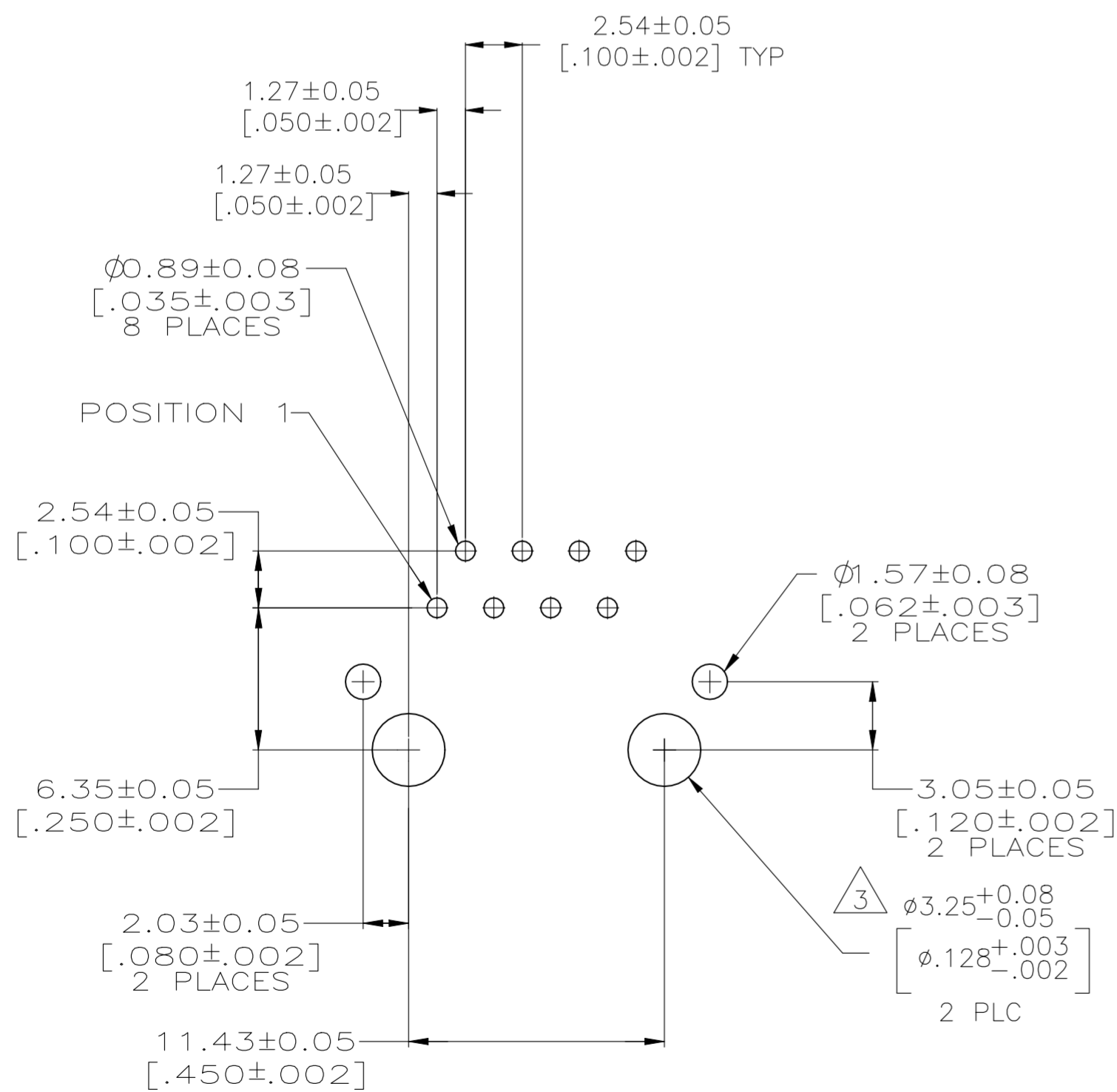
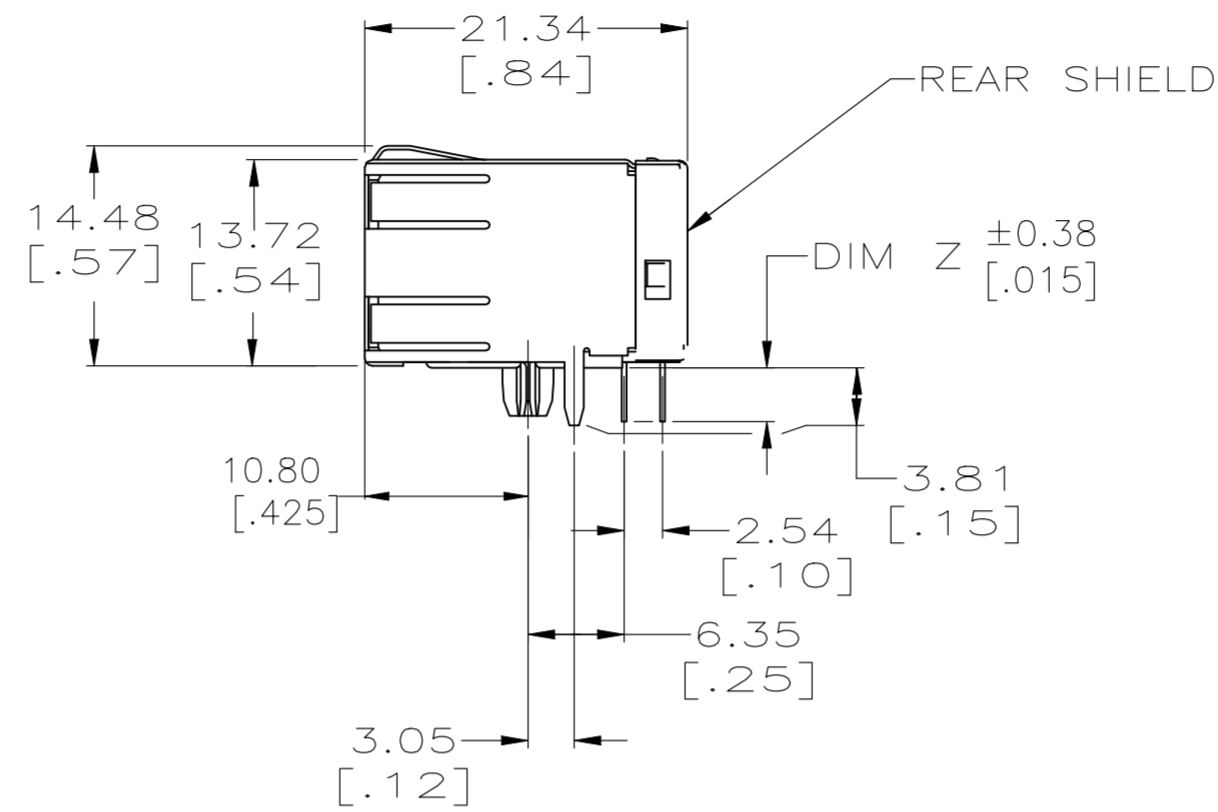
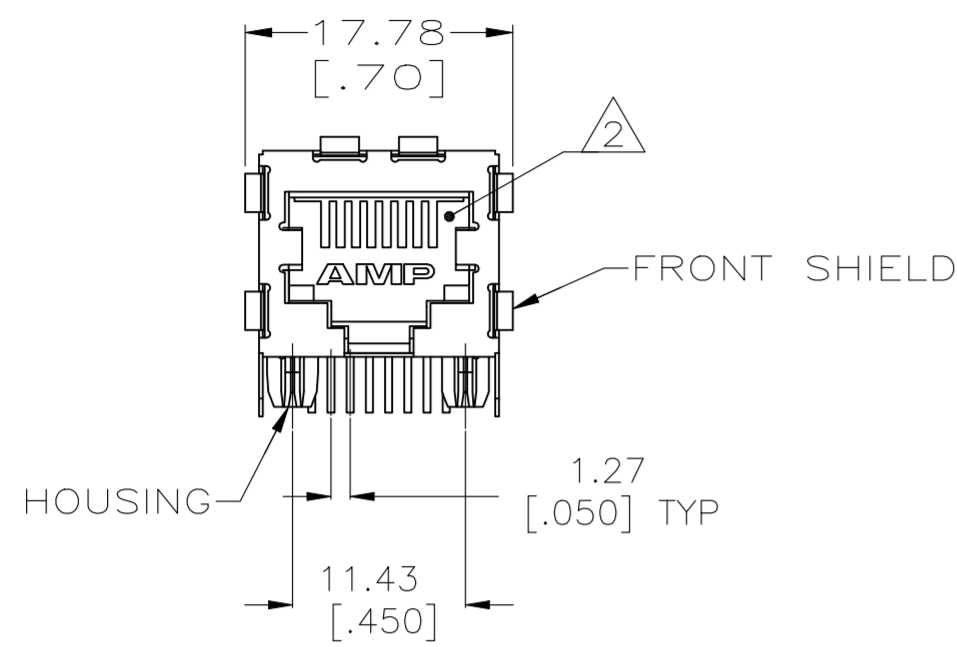
- MATERIAL: HOUSING - NYLON, COLOR: BLACK, UL 94V-0. OVERMOLDED TERMINAL ARRAY - PBT, COLOR: BROWN. TERMINALS - 0.33 [.013] THICK PHOS BRONZE PLATED WITH 1.27 μm [.000050] MINIMUM THICK HARD GOLD IN LOCALIZED AREA AND 3.81 μm [.000150] MINIMUM THICK MATTE TIN IN SOLDER AREA OVER 1.27 μm [.000050] MINIMUM THICK NICKEL UNDERPLATE. SHIELDS - 0.25 [.010] THICK COPPER ALLOY PLATED WITH 1.27 μm [.000050] MINIMUM NICKEL AND 2.03 μm [.000080] MINIMUM HOT TIN DIP ON PCB GROUND TABS.

⚠ JACK CAVITY CONFORMS TO FCC RULES AND REGULATIONS, PART 68 SUBPART F.

⚠ USE #30 DRILL BIT OR 3.25mm DRILL BIT WHEN PRODUCING THESE PCB HOLES.

4. DIELECTRIC WITHSTANDING VOLTAGE BETWEEN SHIELD AND TERMINAL IS 1500 VAC

⚠ PACKAGE: TAPE & REEL.



RECOMMENDED PANEL CUTOUT  
SCALE 4:1

RECOMMENDED PC BOARD LAYOUT  
COMPONENT SIDE  
SCALE 4:1

3.56 [.140]	⚠ 5406299-2
3.05 [.120]	1-5406299-1
3.56 [.140]	5406299-1
DIM. Z	PART NUMBER

THIS DRAWING IS A CONTROLLED DOCUMENT.		DWN T. SPRINKLE/L.A.MAYER 20APR2005	TE Connectivity	
DIMENSIONS: mm		CHK J.WESTMAN 20APR2005	NAME	
TOLERANCES UNLESS OTHERWISE SPECIFIED:		APVD S.FLICKINGER 20APR2005	PRODUCT SPEC	
0 PLC ± -		108-1163-2		SIZE A2
1 PLC ± -		APPLICATION SPEC		
2 PLC ± 0.25[.01]		114-2048		CAGE CODE 00779
3 PLC ± 0.13[.005]		WEIGHT 0.000000		DRAWING NO C=5406299
4 PLC ± -		CUSTOMER DRAWING		RESTRICTED TO -
ANGLES ± -		SCALE 2:1		SHEET 1 of 1
MATERIAL SEE NOTE 1		FINISH SEE NOTE 1		REV D1