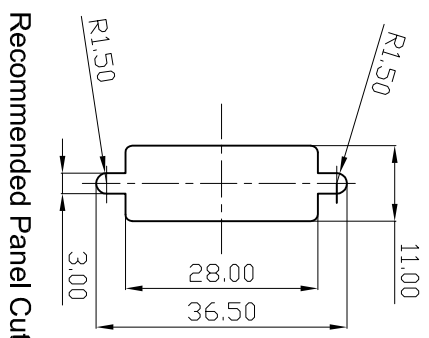
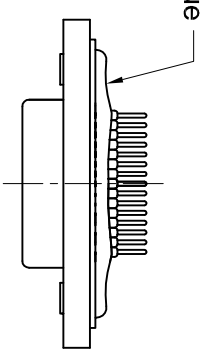
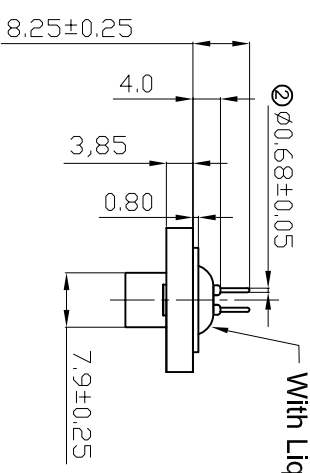


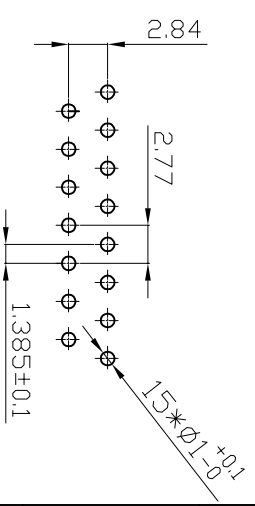
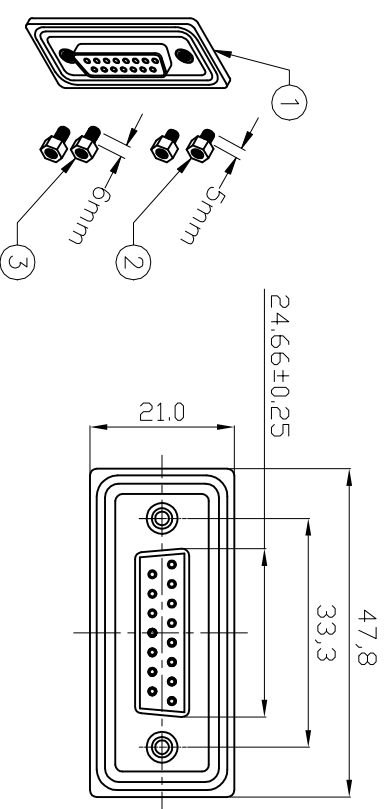
Panel Thickness
 Screw L=5.0 For Panel Thickness
 Under 1.2mm
 Screw L=6.0 For Panel Thickness
 Between 1.2-2.0mm



Recommended Panel Cut-Out



NOTES:
MATERIAL
 1. Insulator Material: Black, NYLON+G/F
 2. Contact Material : Copper Alloy
 3. Plating : Gold Plating
 4. Waterproof Rate: IP67
 5. Do Mating Test After Glued



15 Pin Female Connector
 PCB Pin Layout
 Scale 2:1

RoHS compliant
 Unit: mm

Scale	Free						
TOLERANCE							
X.X	±0.25						
X.XX	±0.10						
X.XXX	±0.05						
DIM	TOL						
ANGLE	±1°						
X.X°	±X°						
Angle	TOL						
		Id.	Modification	Date	Name	Date	Name
		①	Drawn	24.12.2008	JACK	24.12.2008	JACK
		②	Cancel LOGO and change dimension	24.01.2018	Tom	24.01.2018	Amy

ASSMANN
 wsw components

Customer-No.
 ASSMANN WSW-No.
A-DF 15 PP-WP
 Drawing-No.
ASS 3254 CO
 Replace
 rev02
 Sheet

A	1	2	3	4	5	6	7
B	1	2	3	4	5	6	7
C	1	2	3	4	5	6	7
D	1	2	3	4	5	6	7
E	1	2	3	4	5	6	7
F	1	2	3	4	5	6	7
G	1	2	3	4	5	6	7
H	1	2	3	4	5	6	7