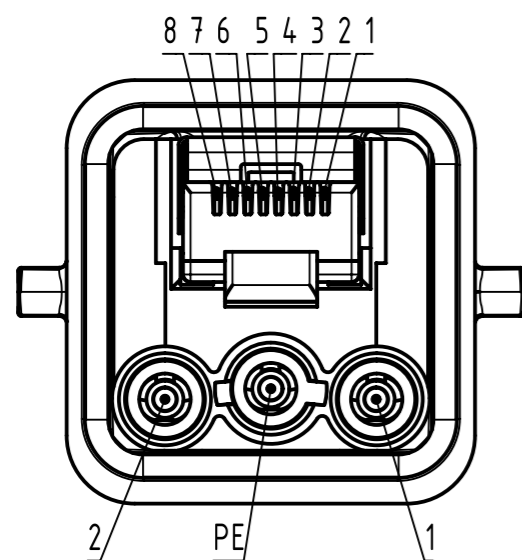
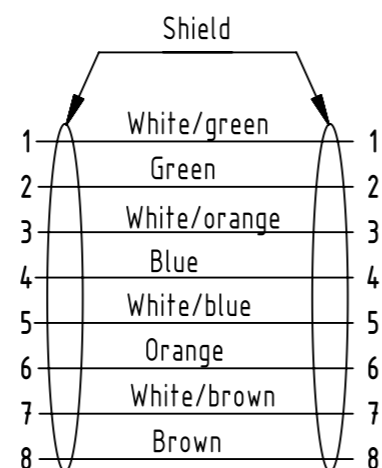


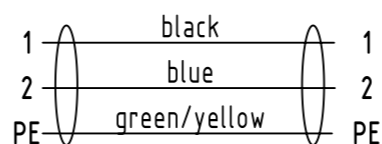
X (2:1)



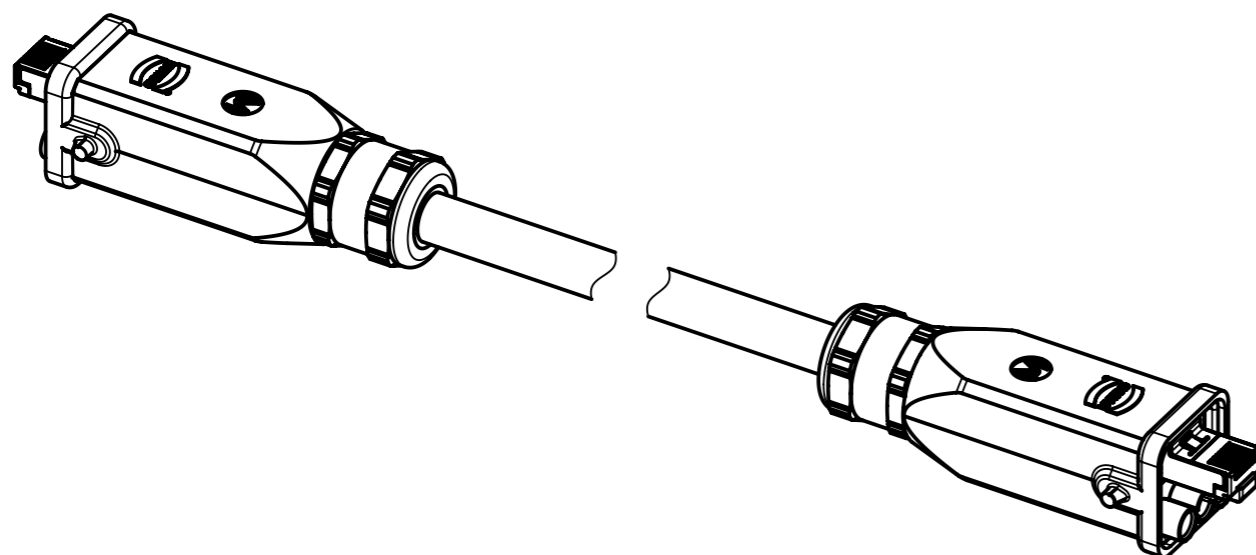
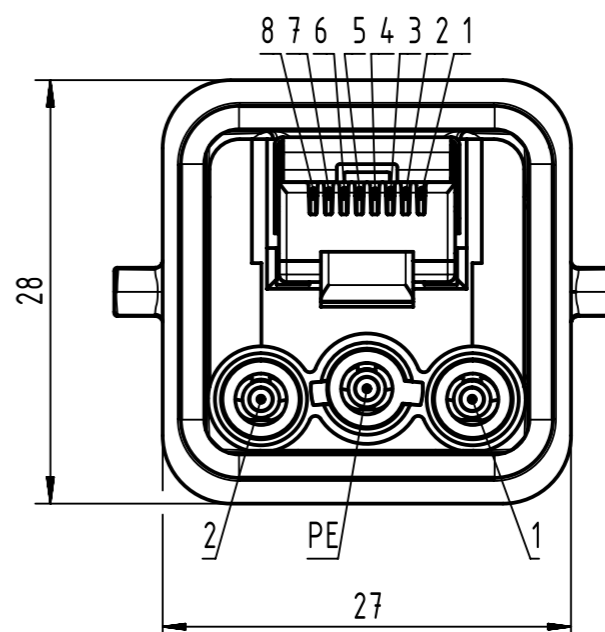
Loading-Plan (Data)



Loading-Plan (Power-DC version)




Y (2:1)



|   |  |  |                          |                             |   |                        |
|---|--|--|--------------------------|-----------------------------|---|------------------------|
|   | All rights reserved<br>Department EC PD - RO | All Dimensions in mm<br>Original Size DIN A3 |                          | Scale<br>1:1                | Free size tol.  | Ref.<br>Sub.           |
|   |  | Created by<br>POPESCU                        | Inspected by<br>AVRAM    | Standardisation<br>HOFFMANN | Date<br>2015-12-18                                      | State<br>Final Release |
| HARTING Electronics GmbH<br>D-32339 Espelkamp |  | Title<br>Han 3A RJ45 Hybrid Cable Assembly   |                          |                             | Doc-Key / ECM-Nr.<br>100154019/UGD/013/C<br>50000098235 |                        |
|   |  | Type<br>TB                                   | Number<br>33572110XX000X |                             | Rev.<br>C   | Page<br>1/2            |

|   |   |   |   |   |   |   |   |   |   |
|---|---|---|---|---|---|---|---|---|---|
|   | 1 | 2 | 3 | 4 | 5 | 6 | 7 | 8 |   |
| A |   |   |   |   |   |   |   |   | A |
| B |   |   |   |   |   |   |   |   | B |
| C |   |   |   |   |   |   |   |   | C |
| D |   |   |   |   |   |   |   |   | D |
| E |   |   |   |   |   |   |   |   | E |
| F |   |   |   |   |   |   |   |   | F |
|   | 1 | 2 | 3 | 4 | 5 | 6 | 7 | 8 |   |

|           |                |  |           |
|-----------|----------------|--|-----------|
| 7         | 33572110200002 | Hybrid cable 4x2AWG26/7+3x2.5 sqmm, 2xHan 3A, DC | 20        |
| 6         | 33572110100002 |  | 10        |
| 5         | 33572110060002 |  | 6         |
| 4         | 33572110050002 |  | 5         |
| 3         | 33572110030002 |  | 3         |
| 2         | 33572110020002 |  | 2         |
| 1         | 33572110010002 |  | 1         |
| Cont. no. | Part-no.       | Type of cable                                    | Dim. a[m] |

|   |  |  |                          |                             |   |
|---|--|--|--------------------------|-----------------------------|---|
|  | All Dimensions in mm<br>Original Size DIN A3 | Scale<br>1:1                               | Free size tol.           |                             | Ref.<br>Sub.  |
|   | All rights reserved<br>Department EC PD - RO | Created by<br>POPESCU                      | Inspected by<br>AVRAM    | Standardisation<br>HOFFMANN | Date<br>2015-12-18                                      |
| HARTING Electronics GmbH<br>D-32339 Espelkamp   |  | Title<br>Han 3A RJ45 Hybrid Cable Assembly |                          |                             | Doc-Key / ECM-Nr.<br>100154019/UGD/013/C<br>50000098235 |
|   |  | Type<br>TB                                 | Number<br>33572110XX000X |                             | Rev. <b>C</b> Page<br>2/2                               |