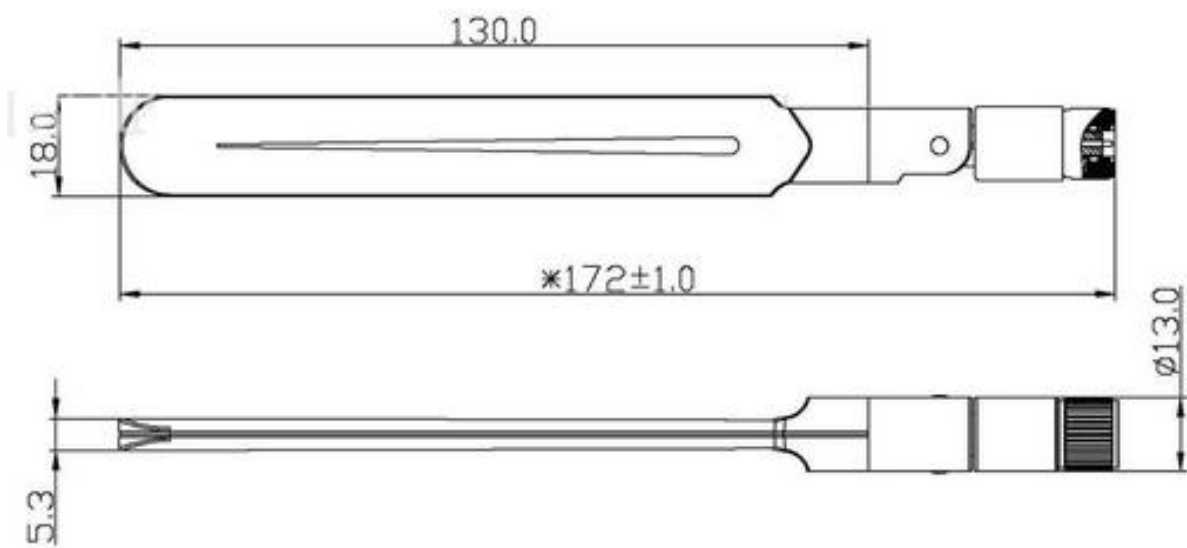


LTE Antenna

JCG913L



DIMENSIONS





Jinchang Electron Global Service

SPECIFICATIONS

| Item | | Specifications |
|---------------|--------------------------|--|
| Antenna | Frequency Range | 698~960MHz/1.71~2.7GHz |
| | Polarization | Linear |
| | Gain | 5dBi |
| | V.S.W.R | <2.0 |
| | Impedance | 50 Ω |
| | Connector | SMA Male |
| Environmental | Operating Temperature | -10°C~+60°C |
| | Vibration | 10 to 55Hz with 1.5mm amplitude 2hours |
| | Environmentally Friendly | ROHS Compliant |

JIAXING JINCHANG ELECTRONIC TECHNOLOGY CO.,LTD

Add: 398#, Zhenye Road, South Street, Jiaying, Zhejiang, China

Http:// www.jinchanggps.com

E-mail: jcgps@vip.163.com

Tel: 86-0573-83692157/83692605/83958637 Fax: 86-0573-83958635