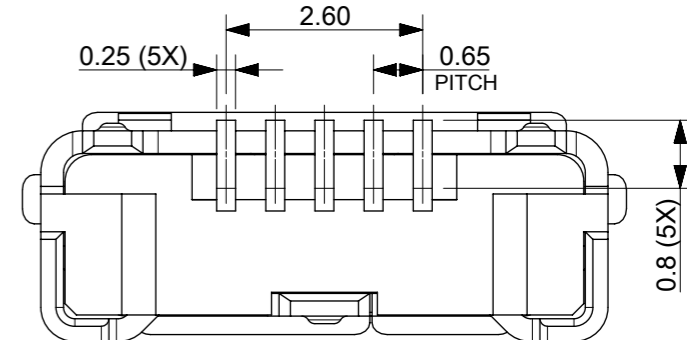
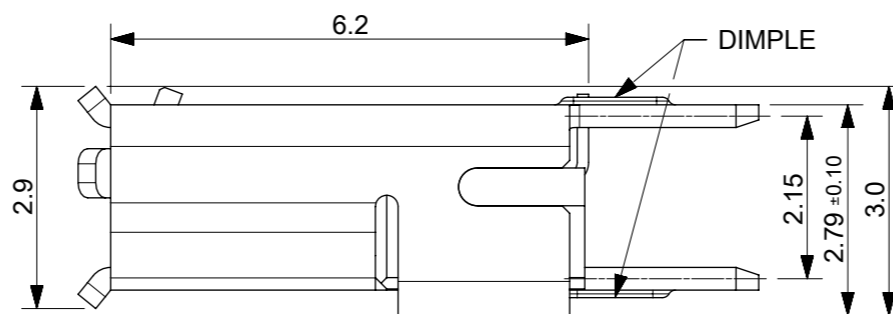
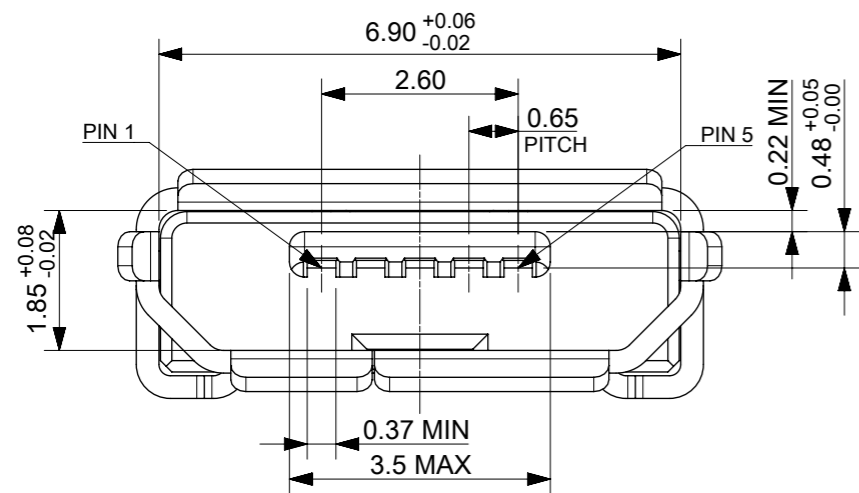


RECOMMENDED PCB LAYOUT (THICKNESS: 1.6mm)
GENERAL TOLERANCE: ±0.05

5	GND
4	ID
3	D+
2	D-
1	VBUS
PIN	NAME
PIN ASSIGNMENT	



105133-0002	1.70
105133-0001	2.30
PART NUMBER	DIM A

NOTES:

- MATERIAL:
HOUSING & COVER: HIGH TEMPERATURE THERMOPLASTIC, BLACK, UL94V-0;
TERMINAL: COPPER ALLOY, THICKNESS: 0.15mm;
SHELL: STAINLESS STEEL, THICKNESS: 0.30mm.
- PLATING:
TERMINAL: CONTACT AREA: MINIMUM 0.75 MICRON GOLD;
SOLDER TAIL AREA: GOLD FLASH;
UNDER PLATING: NICKEL 2.0 MICRON MINIMUM.
SHELL: 1.27 MICRON MINIMUM SOLDERABLE NICKEL PLATING OVER ALL.
- TAIL COPLANARITY 0.08mm MAXIMUM.
- PRODUCT SPECIFICATION: PS-105133-001.
- PACKAGE SPECIFICATION: PK-105133-001.

THIS DRAWING CONTAINS INFORMATION THAT IS PROPRIETARY TO MOLEX ELECTRONIC TECHNOLOGIES, LLC AND SHOULD NOT BE USED WITHOUT WRITTEN PERMISSION									
DIMENSION UNITS		SCALE		CURRENT REV DESC:					
mm		NTS		<p style="text-align: center;">molex</p> <p style="text-align: center;">SALES DRAWING FOR USB, MICRO-B VERTICAL TYPE</p> <p style="text-align: center;">PRODUCT CUSTOMER DRAWING</p>					
GENERAL TOLERANCES (UNLESS SPECIFIED)									
ANGULAR TOL ± 3.0°									
4 PLACES ±		EC NO: 678130							
3 PLACES ±		DRWN: XQZHANG 2021/10/28							
2 PLACES ± 0.15		CHK'D: AYIN 2022/06/08							
1 PLACE ± 0.25		APPR: AYIN 2022/06/08		INITIAL REVISION:		DOCUMENT NUMBER		DOC TYPE DOC PART REVISION	
0 PLACES ±		DRWN: XJSONG 2010/08/02		2010/08/02		SD-105133-001		PSD 000 G	
DRAFT WHERE APPLICABLE MUST REMAIN WITHIN DIMENSIONS		THIRD ANGLE PROJECTION		DRAWING		SERIES		MATERIAL NUMBER CUSTOMER SHEET NUMBER	
		A3-SIZE		105133		SEE TABLE		GENERAL MARKET 1 OF 1	