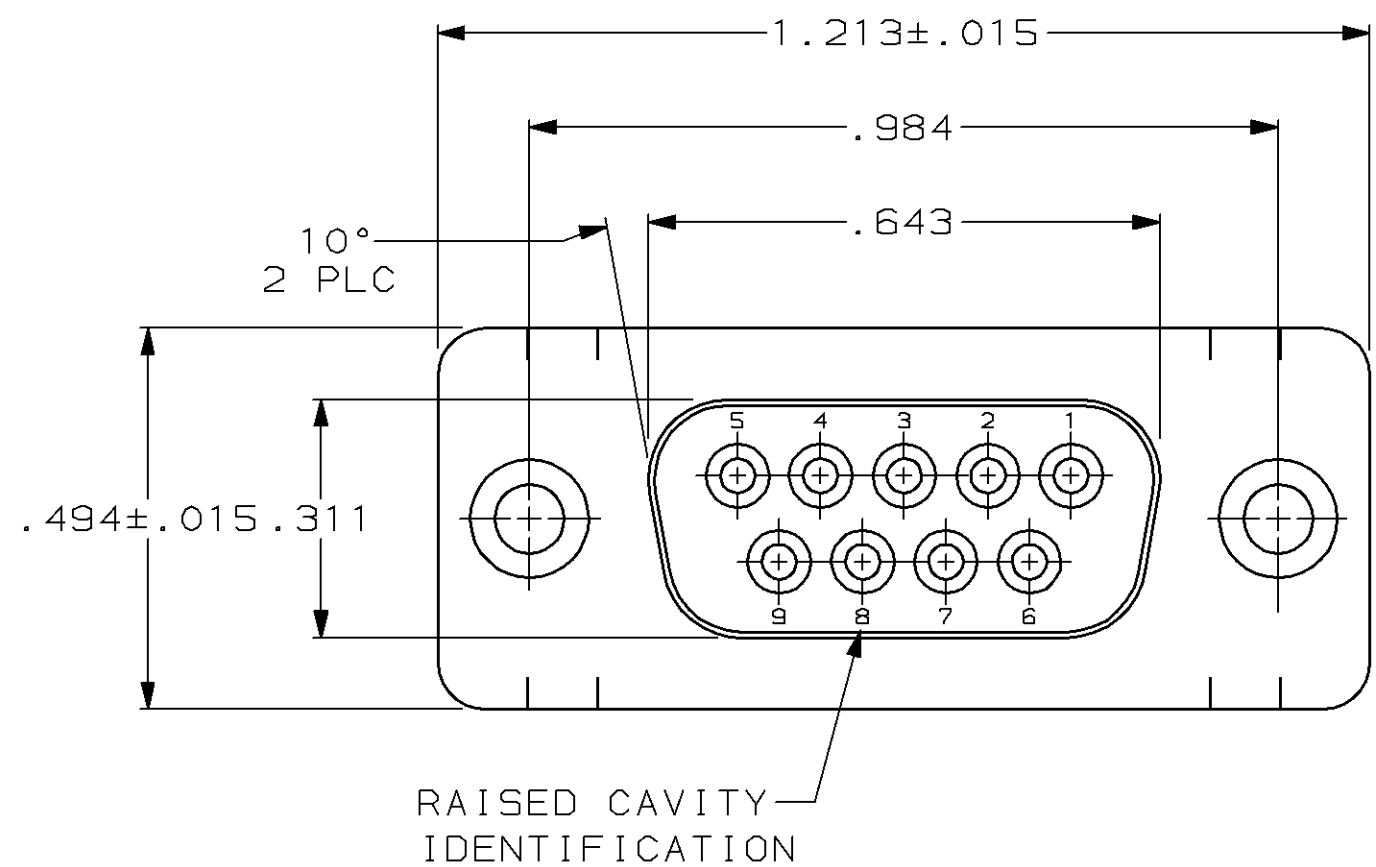
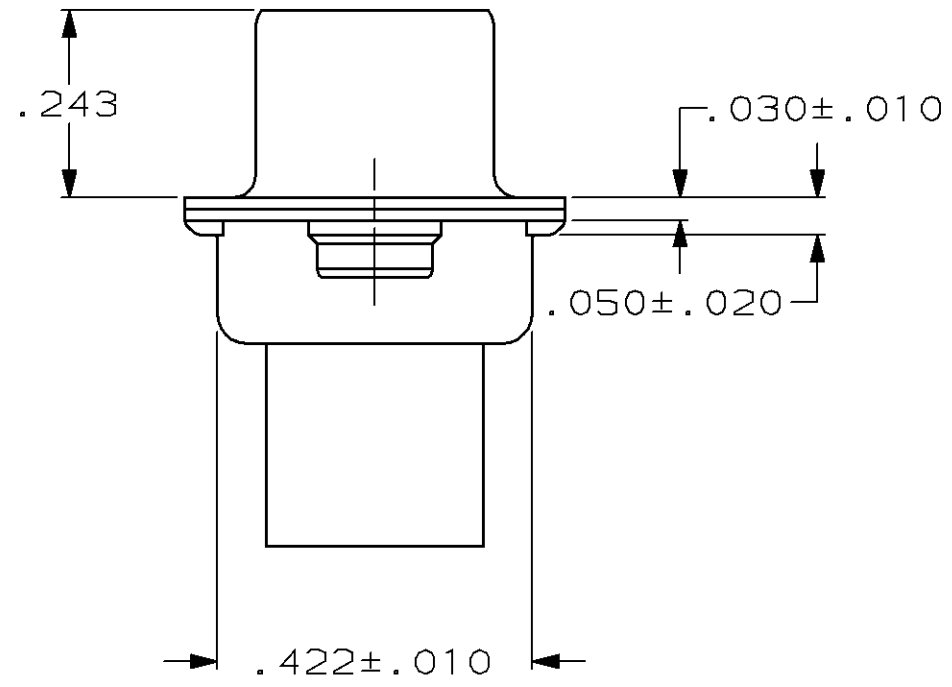
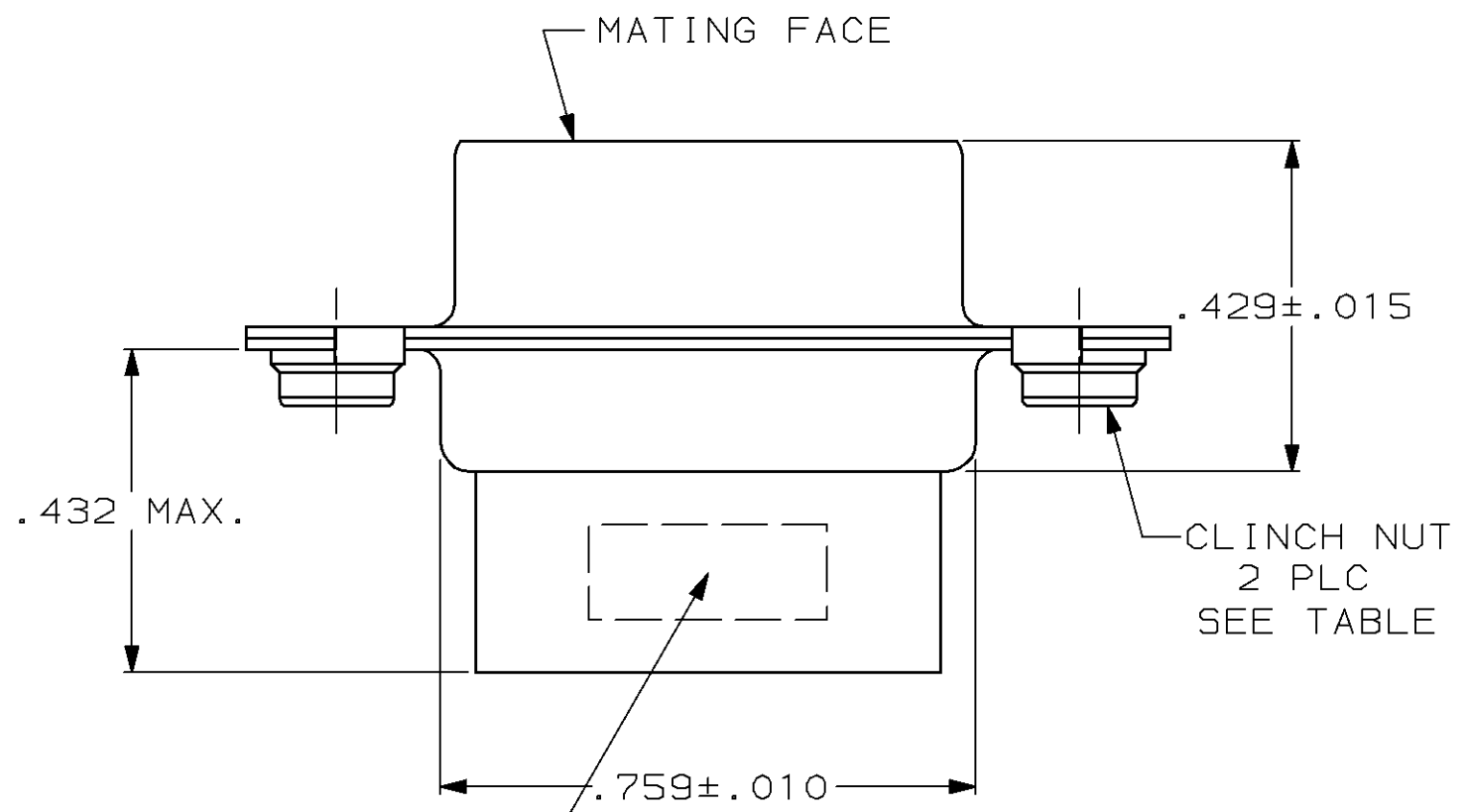


THIS DRAWING IS UNPUBLISHED. RELEASED FOR PUBLICATION ,19 .
 © COPYRIGHT 19 BY AMP INCORPORATED. ALL INTERNATIONAL RIGHTS RESERVED.

LOC	DIST	P	F	ZONE	LTR	REVISIONS	DATE	APPD
BD	48				O	RELEASED	-	-
					O ₁	REVISED ECN-0755	10-15-84	SW
					A	ADDED -2 PER NPR 3518	5-10-91	-
					B	OBS -2 PER EC 0420-141-96	23 SEPT 97	SB



- 1. CONNECTOR ACCEPTS SIZE 20 DF SOCKET CONTACTS, RETENTION TINES ARE AN INTEGRAL PART OF INSERT.
- 2 FLAME RETARDANT 94V-0 RATED THERMOPLASTIC; COLOR: BLACK.
- 3 STEEL PER QQ-S-698.
- 4 TIN PLATED PER MIL-T-10727.



"AMP", PART NO. & DATE CODE, INK STAMPED IN AREA INDICATED, ON FAR SIDE

OBSOLETE	M-3	745907-2
	4-40	745907-1
	CLINCH NUT THREAD TYPE	PART NO

DO NOT SCALE PRINT. UNLESS SPECIFIED DIMENSIONS ARE IN INCHES TOLERANCES ON : 2 PLC DEC ± - 3 PLC DEC ± .005 ANGLES ± 2°	DR 7-9-82 J.GERACE	AMP Incorporated Harrisburg, PA 17105-3608	
	CHK 7-9-82 J.GERACE		
MATERIAL	APPD 8-4-82 J.FULPONI	NAME	
MOLDED PARTS: 2 SHELLS: 3	APPD 8-4-82 E.GILL	RECEPTACLE CONNECTOR, SIZE 1, 9 POSN, WITH CLINCH NUTS, AMPLIMITE HDP	
FINISH SHELLS: 4	PRODUCT SPEC 108-40005	SIZE C	CAGE CODE 00779
	APPLICATION SPEC -	DRAWING NO 745907	
	WEIGHT -	SCALE -	SHEET 1 OF 1