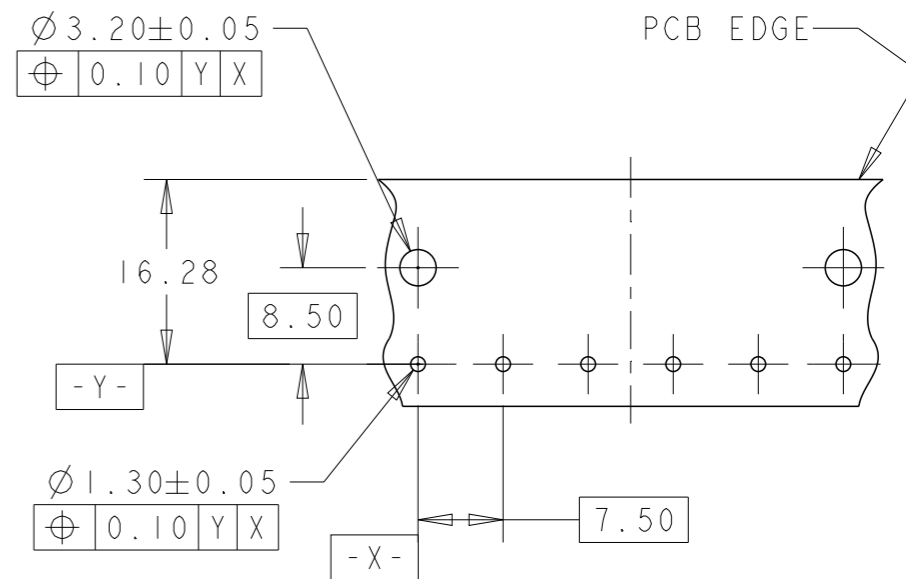
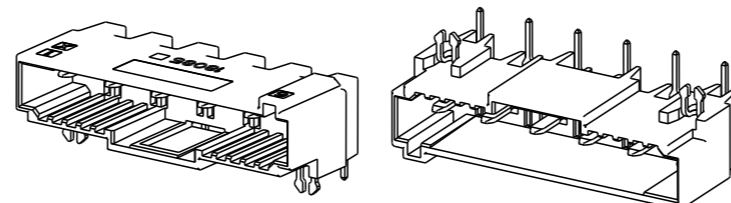
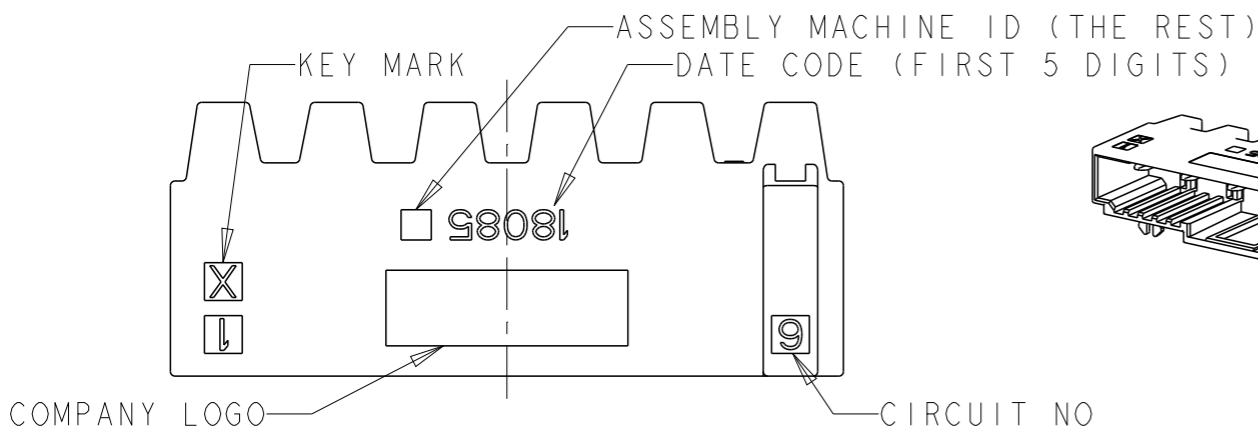


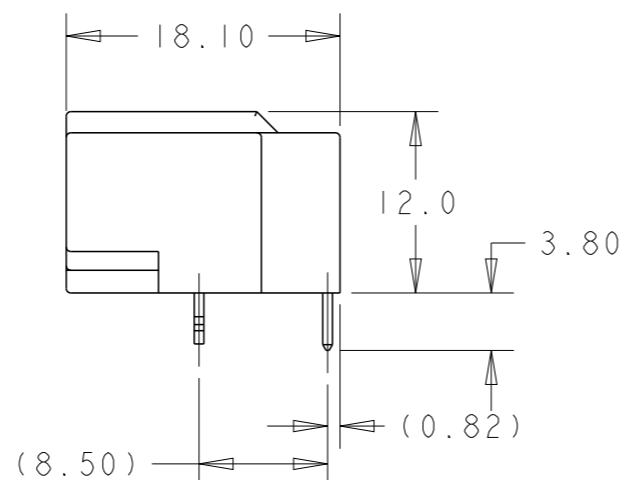
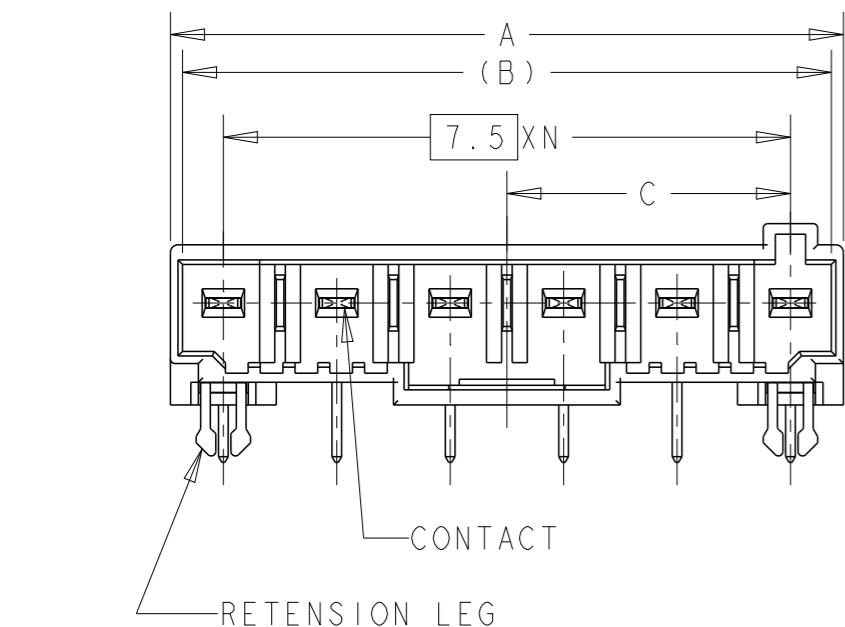
THIS DRAWING IS UNPUBLISHED. RELEASED FOR PUBLICATION 20
© COPYRIGHT 20 BY - ALL RIGHTS RESERVED.

REVISIONS

P	LTR	DESCRIPTION	DATE	DWN	APVD
B		REVISED	12JUN2018	K.T	E.I
BI		REVISED	31JULY2018	K.T	E.I
C		REVISED PER ECR-19-009855	25JUN2019	R.I	E.I
D		REVISED PER ECR-19-012255	05AUG2019	R.I	E.I

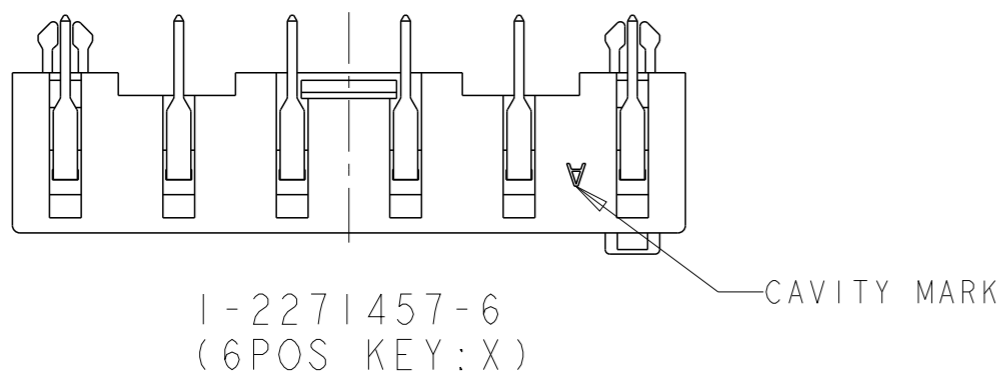
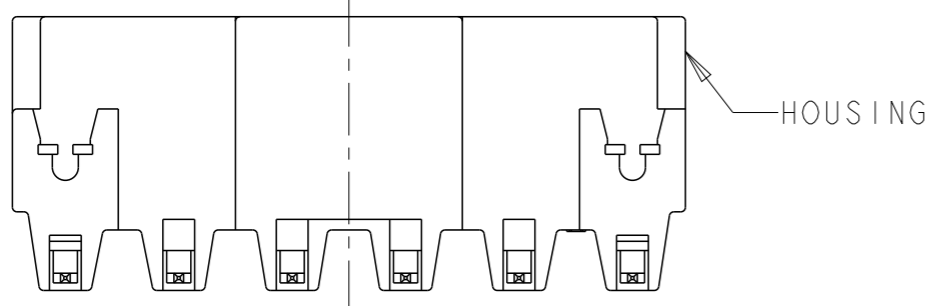


RECOMMENDED PCB LAYOUT





- 1 COMPLIES WITH DIRECTIVES 2002/95/EC (ROHS)
- 2 RATED VOLTAGE: 600VAC,
- 3 APPLICATION CABLE: 22AWG~14AWG
- 4 OPERATION TEMPERATURE: -30°C~105°C
- 5 CONTACT RESISTANCE: 10mΩ MAX. INITIAL
- 6 INSULATION RESISTANCE: 1000MΩ MIN. INITIAL
- 7 NOTE DELETED

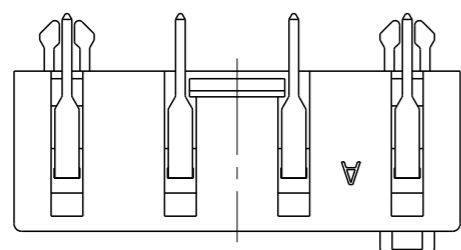
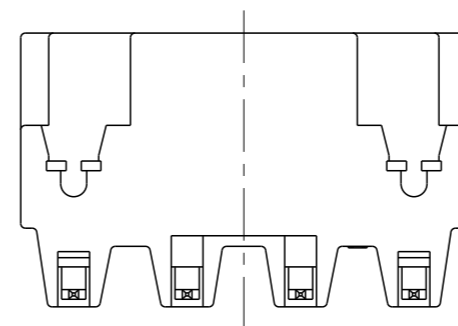
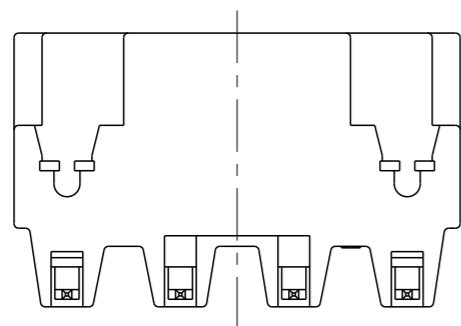
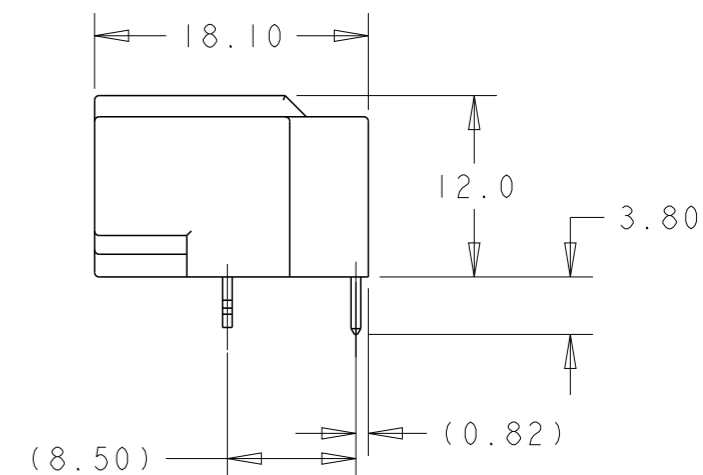
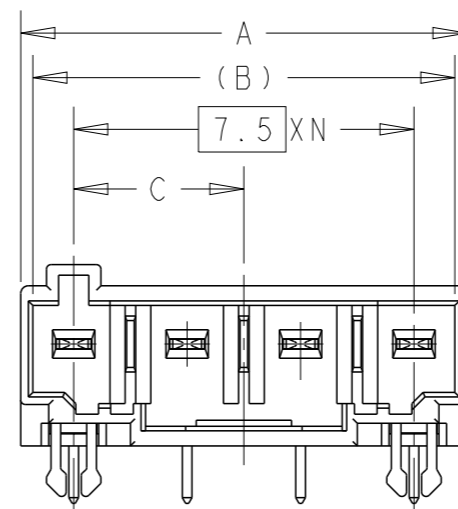
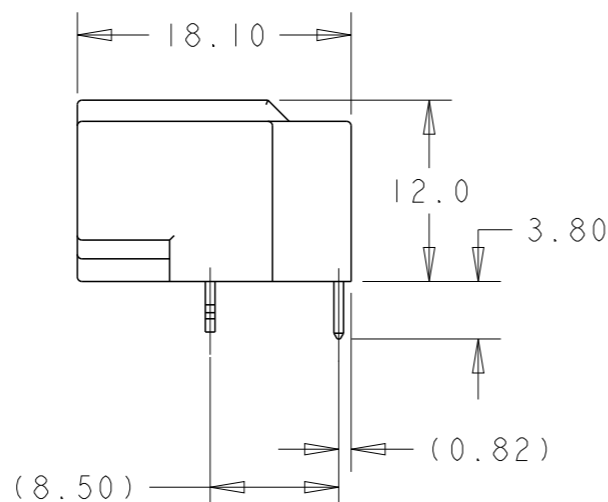
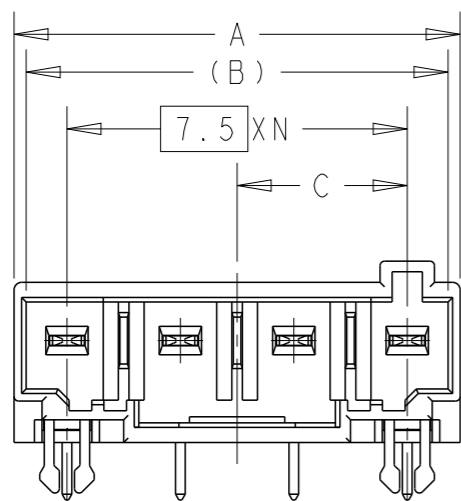
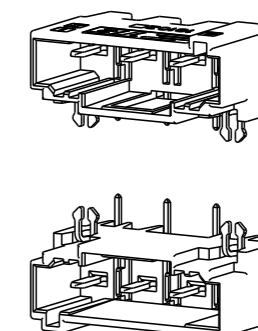
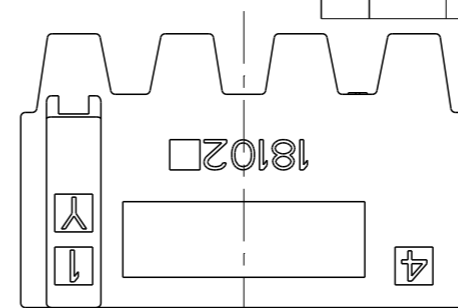
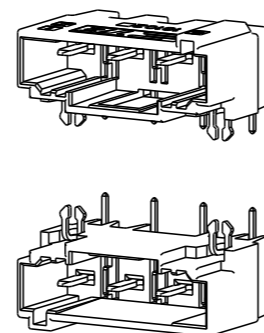
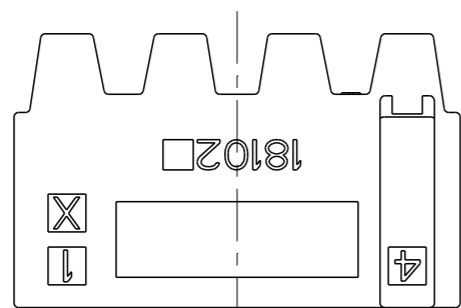
X	8	7	26.25	57.90	59.50	1-2271457-8
X	6	5	18.75	42.90	44.50	1-2271457-6
Y	4	3	11.25	27.90	29.50	2-2271457-4
X	4	3	11.25	27.90	29.50	1-2271457-4
KEY MARK	POS	N	DIM.C	DIM.B	DIM.A	ASSEMBLY P/N



THIS DRAWING IS A CONTROLLED DOCUMENT.

DIMENSIONS: mm	TOLERANCES UNLESS OTHERWISE SPECIFIED: 0 PLC ± 1 PLC ±0.50 2 PLC ±0.30 3 PLC ± 4 PLC ± ANGLES ±3°	DWN	13JAN2015	 TE Connectivity							
		CHK	13JAN2015								
	FINISH	APVD	13JAN2015	NAME	DYNAMIC 3950 HEADER ASSEMBLY						
		MATERIAL	SEE NOTE	PRODUCT SPEC	108-78997	APPLICATION SPEC	411-78272				
		WEIGHT	-	SIZE	A3	CAGE CODE	-	DRAWING NO	©-2271457	RESTRICTED TO	
		CUSTOMER DRAWING		SCALE	1:1	SHEET	1 OF 3	REV	E		

P	LTR	DESCRIPTION	DATE	DWN	APVD
		SEE SHEET 1			



1-2271457-4
(4POS KEY:X)

2-2271457-4
(4POS KEY:Y)

THIS DRAWING IS A CONTROLLED DOCUMENT.

DIMENSIONS:	TOLERANCES UNLESS OTHERWISE SPECIFIED:
mm	
	0 PLC ±-
	1 PLC ±0.50
	2 PLC ±0.30
	3 PLC ±-
	4 PLC ±-
	ANGLES ±3°
MATERIAL	FINISH
-	-
-	-

DWN	13JAN2015
Ning Wang	
CHK	13JAN2015
Kobby Zhao	
APVD	13JAN2015
Xiang Xu	
PRODUCT SPEC	108-78997
APPLICATION SPEC	411-78272
WEIGHT	-



NAME		DYNAMIC 3950 HEADER ASSEMBLY	
SIZE	CAGE CODE	DRAWING NO	RESTRICTED TO
A3	-	©-2271457	
CUSTOMER DRAWING		SCALE	SHEET
		1:1	2 OF 3
			REV E

THIS DRAWING IS UNPUBLISHED.

RELEASED FOR PUBLICATION

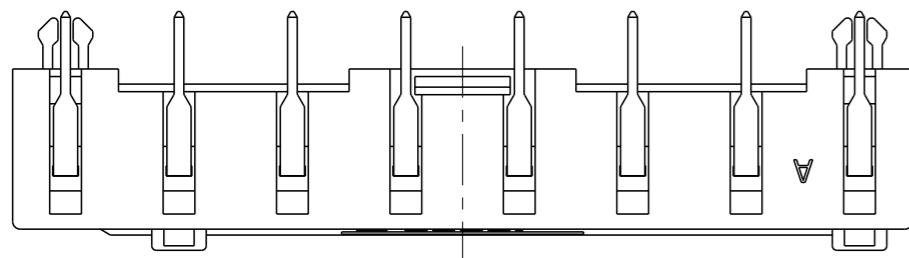
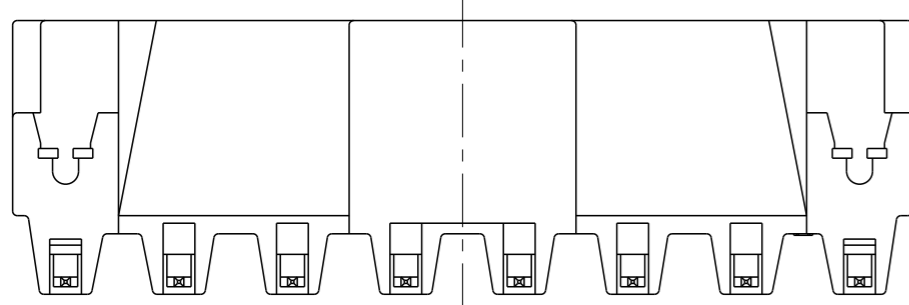
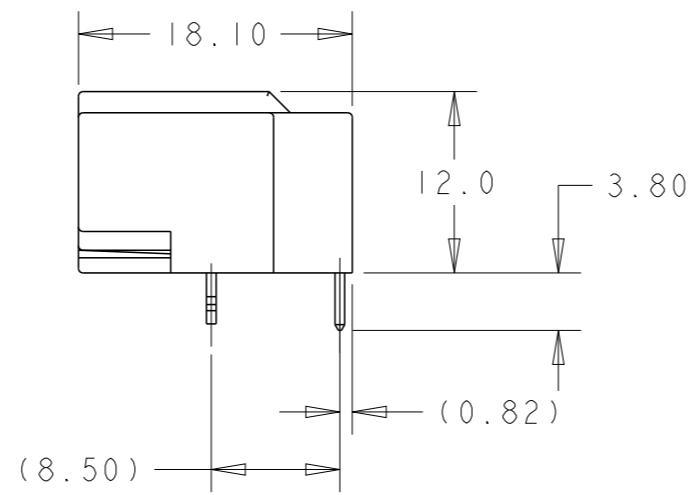
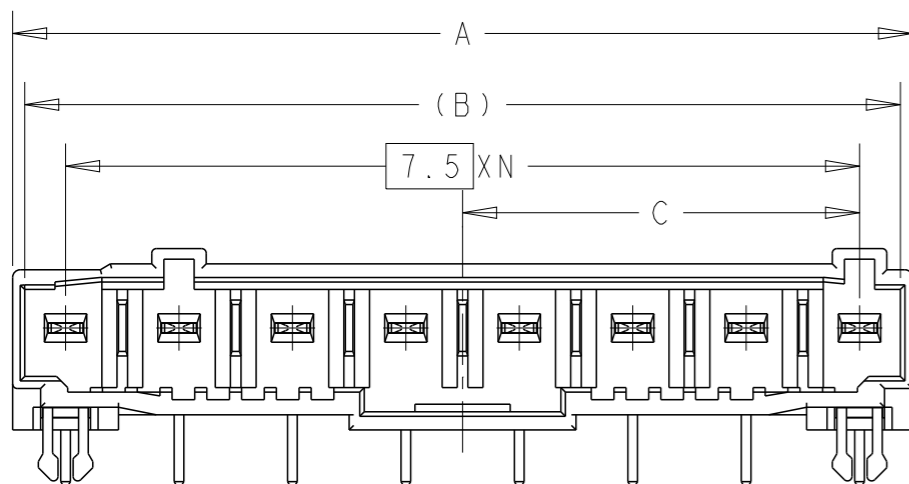
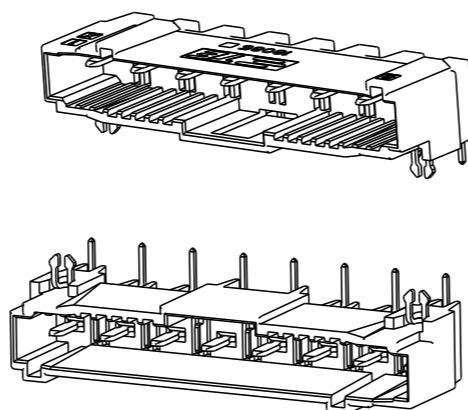
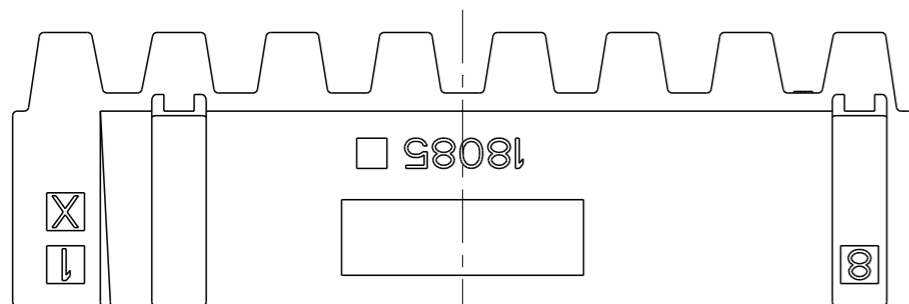
20

© COPYRIGHT 20 BY -


ALL RIGHTS RESERVED.

REVISIONS

P	LTR	DESCRIPTION	DATE	DWN	APVD
-	-	SEE SHEET 1	-	-	-



1-2271457-8
(8POS KEY:X)

THIS DRAWING IS A CONTROLLED DOCUMENT.		DWN Ning Wang 13JAN2015	 TE Connectivity
DIMENSIONS: mm		CHK Kobby Zhao 13JAN2015	
TOLERANCES UNLESS OTHERWISE SPECIFIED:		APVD Xiang Xu 13JAN2015	
0 PLC ± 1 PLC ±0.50 2 PLC ±0.30 3 PLC ± 4 PLC ± ANGLES ±3°		PRODUCT SPEC 108-78997	
MATERIAL SEE NOTE		APPLICATION SPEC 411-78272	NAME DYNAMIC 3950 HEADER ASSEMBLY
FINISH -		WEIGHT -	SIZE A3
-		CUSTOMER DRAWING	CAGE CODE -
		SCALE 2:1	DRAWING NO C-2271457
		SHEET 3 OF 3	RESTRICTED TO
		REV E	