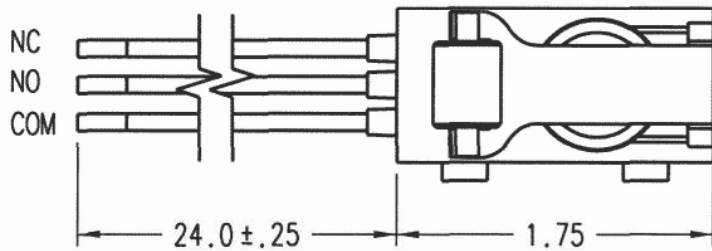


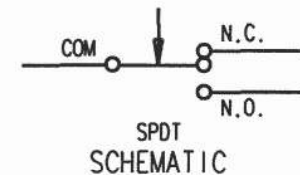
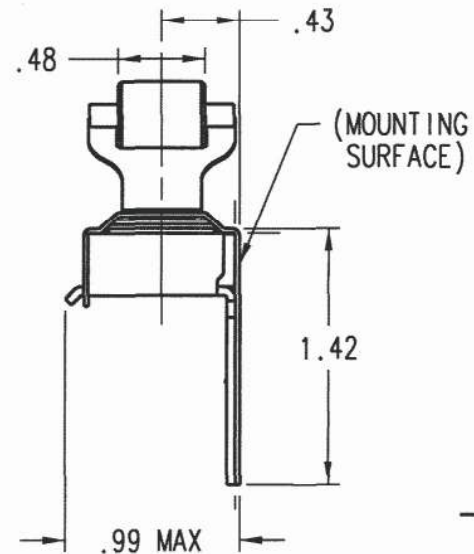
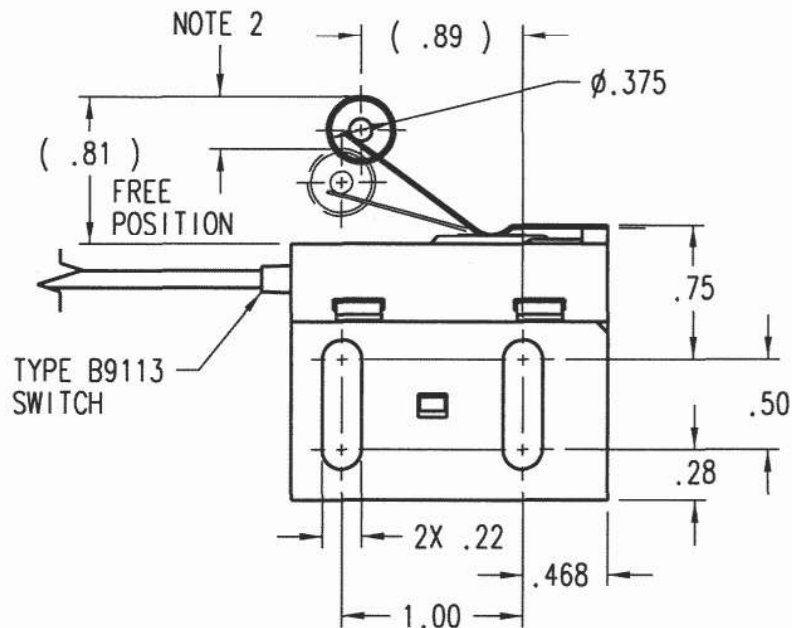
DRAWING NO.

E1117-558



NOTES:

1. ENTIRE BRACKET ASSEMBLY IS STAINLESS STEEL.
2. MAXIMUM DEFLECTION FOR UNLIMITED ACTUATOR ENDURANCE.
3. SWITCH IS COMPLETELY WATERPROOF.
4. WIRES ARE #18 AWG BLACK TYPE SAE J1128 GXL.
5. WIRE CONNECTIONS MUST BE SEALED TO MAINTAIN THE WATERPROOFNESS OF THE SWITCH.
6. SWITCH ACTION: SPDT.
7. ELECTRICAL RATING (28VDC/120VAC): 5 AMP RESISTIVE, 3 AMP INDUCTIVE.
8. PROPER APPLICATION OF THIS PRODUCT IS THE RESPONSIBILITY OF THE USER.



REV	DESCRIPTION	DATE	BY	APP	UNLESS OTHERWISE SPECIFIED DIMENSIONS ARE IN INCHES	APPROVALS	DATE	CPI CONTROL PRODUCTS, INC. EAST HANOVER, NEW JERSEY WWW.CPI-NJ.COM			
					TOLERANCES ARE: .X ± .1 .XX ± .03 .XXX ± .015 ANG ± 5°	DRAWN GHS	7/27/21	TITLE LIMIT SWITCH, SPDT INSTALLATION DRAWING			
					MATERIAL	CHECKED					
					FINISH AND HEAT TREAT	ISSUED ECN7184 <i>ROG</i>	<i>7/27/21</i>	SIZE A SCALE NONE DRAWING NO. E1117-558 SHEET 1 OF 1			
						DIGI-KEY					
REVISIONS						DO NOT SCALE DRAWING					
THE INFORMATION FURNISHED HEREIN IS THE PROPERTY OF CONTROL PRODUCTS, INC. AND SHALL NOT BE USED, DISCLOSED TO OTHERS, OR COPIED WITHOUT THE EXPRESS WRITTEN CONSENT OF CONTROL PRODUCTS, INC.											