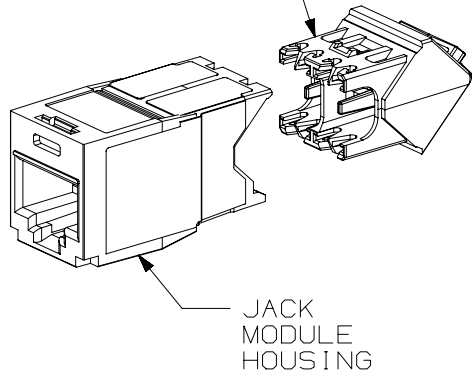


THIS COPY IS PROVIDED ON A RESTRICTED BASIS AND IS NOT TO BE USED IN ANY WAY DETRIMENTAL TO THE INTERESTS OF PANDUIT CORP.

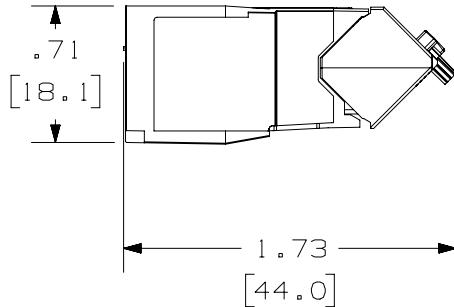
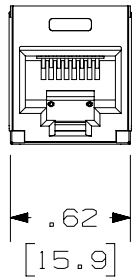
NOTES:

1. VISIT OUR ON-LINE CATALOG AT WWW.PANDUIT.COM FOR A LIST OF CURRENT PARTS APPLICABLE FOR USE WITH THIS PRODUCT.
2. BLUE COLOR WIRE CAP ASSEMBLY DESIGNATES TIA CATEGORY 6A (ISO 11801 CLASS EA) PERFORMANCE.
3. COLOR OF JACK MODULE IS INDICATED BY \*\* IN THE PART NUMBER (EXAMPLE: CJUD6X88TGBU FOR BLUE JACK) SEE WWW.PANDUIT.COM FOR AVAILABLE COLOR CODES.
4. PART NUMBERS OF AVAILABLE PACKAGE TYPES ARE SHOWN IN TABLE 1.
5. TERMINATION TOOL TO BE USED IS TGSJT. SOME PACKAGE TYPES INCLUDE A TERMINATION TOOL, SEE TABLE 1 FOR DETAILS.
6. ALL TX6A™ 10GIG™ CATEGORY 6A, 8 POSITION, 8 WIRE CONNECTOR MODULES ARE UNIVERSAL IN DESIGN. THEY ACCEPT ACCEPT SIX AND EIGHT POSITION MODULAR PLUGS WITHOUT DAMAGE.
7. TERMINATES 22-26AWG SOLID OR STRANDED UTP CABLE UP AND DOWN VERTICALLY.
8. SEE INSTALLATION INSTRUCTION FOR PROPER TERMINATION METHOD.
9. WIRE CAP LABEL WHICH IS PART OF THE WIRE CAP ASSEMBLY IS CODED FOR T568B WIRING SCHEME.
10. PART INCLUDES:  
 MODULE HOUSING: ABS W/ UL94V-0 FLAME RATING.  
 WIRE CAP ASSEMBLY: POLYCARBONATE W/ UL94V-0 FLAME RATING.
11. WEIGHT: 1.53 LBS/100 PCS (695 g/100 PCS).
12. DIMENSIONS IN [ ] ARE METRIC.
13. ALL MATERIALS AND COMPONENTS USED MEET THE LATEST RoHS REQUIREMENTS.

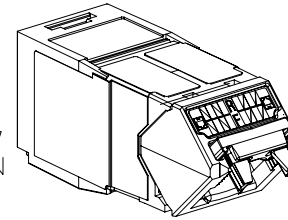
45° UP/DOWN  
UTP WIRE CAP



JACK  
MODULE  
HOUSING



WIRE CAP  
SHOWN  
IN "DOWN"  
DIRECTION



WIRE CAP  
SHOWN  
IN "UP"  
DIRECTION

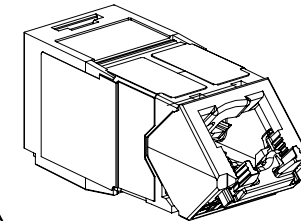


TABLE 1: PACKAGE TYPE AND TERMINATION TOOL

PART NUMBER	PACKAGED QUANTITY	TERMINATION TOOL: TGSJT
CJUD6X88TG**	INDIVIDUALLY PACKAGED, 50 PER CARTON	INCLUDED (1 PER CARTON OF 50 PARTS)

PART NUMBER		SEE TABLE 1		
TITLE				
TX6A™ 10GIG™ CATEGORY 6A JACK MODULE WITH UP/DOWN WIRE CAP ASSEMBLY				
CUSTOMER DRAWING				
ITEM REVISION NAME		00153LAM/02		
DATASET FILE NAME		00153LAM_DC02/02A		
MATERIAL		SEE NOTE 10		
DRAWING NUMBER		00153LAM-02		
DRAWN BY		DATE	CHK	SCALE
BJN		4-4-18	DCS	FULL
SHEET 1 OF 1		A		

REV	DATE	BY	CHK	APR	DESCRIPTION	ECN
3	11-14-18	BJN	MDJR	TMBA	UPDATED	00153LAM-02
2	10-17-18	BJN	DCS	TMBA	UPDATED NOTES; ADDED TABLE 1	00153LAM-02