

.56 [14.3] DIA. HOLE
 4 PLACES ON BOTTOM
 FLANGES FOR CUSTOMER
 MOUNTING

CONTROLS:
 CONTROLLER ON/OFF SWITCH: THIS SWITCH TURNS OFF POWER TO THE CONTROLLER AND DIGITAL VOLTMETER.
 MOTOR ON/OFF SWITCH: THIS SWITCH TURNS OFF POWER TO THE CONTROLLER OUTPUT.
 OUTPUT ADJUSTMENT: THIS POTENTIOMETER CONTROL IS ROTATED CLOCKWISE TO INCREASE OUTPUT VOLTAGE SET POINT AND COUNTERCLOCKWISE TO DECREASE THE OUTPUT VOLTAGE SET POINT.
 VOLTMETER: THE DIGITAL VOLTMETER INDICATES THE REGULATED OUTPUT VOLTAGE SETTING.
 RAISE/LOWER SWITCH: THIS SWITCH IS LOCATED INTERNALLY AND IS ACCESSIBLE FROM THE FRONT VIA THE REMOVABLE ACCESS PANEL. THE SWITCH ALLOWS FOR THE MOTORIZED VARIABLE TRANSFORMER TO BE MANUALLY CONTROLLED.

NOTE:
 SEE THE FRC-20 USER'S HANDBOOK, FORM #003-1922 FOR DETAILED INFORMATION.

WIRE RANGES FOR CUSTOMER WIRING:
 INPUT/OUTPUT/NEUTRAL TERMINALS: (1) (#2-14 AWG) COMPRESSION PER PHASE
 GROUND TERMINAL: (1) (#2-14 AWG) COMPRESSION

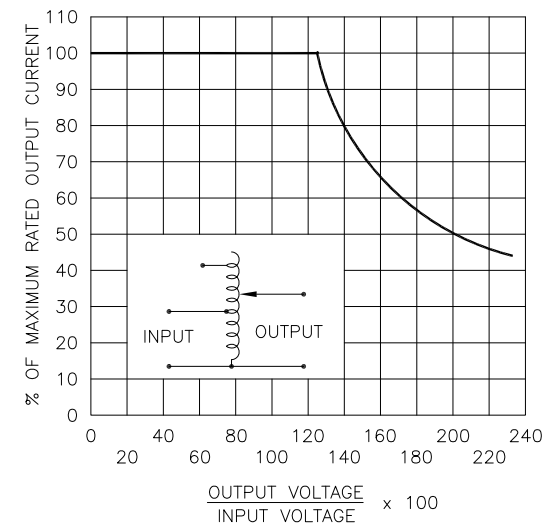
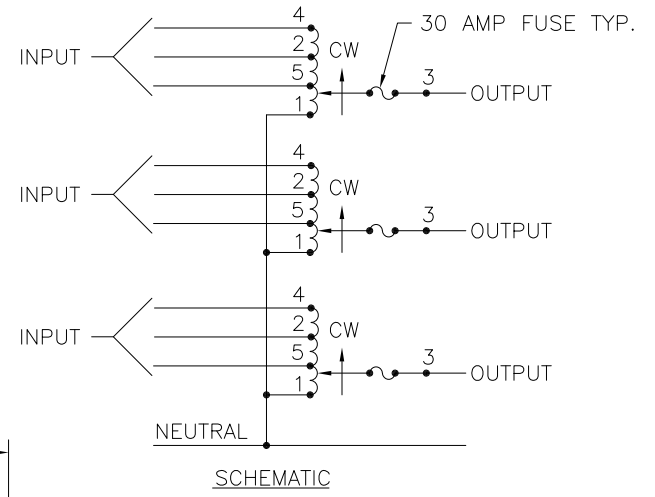
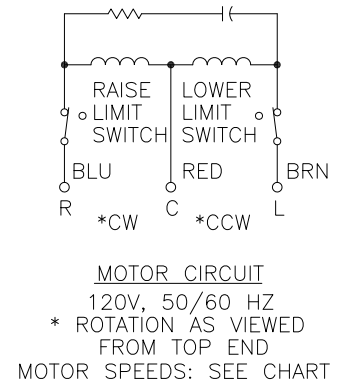


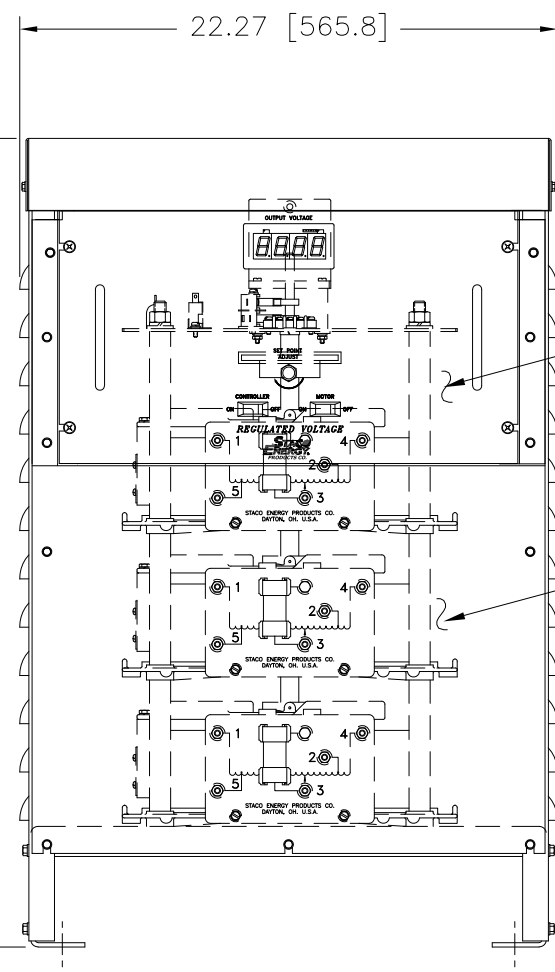
FIGURE A
 MAXIMUM OUTPUT CURRENT OF ANY DUAL INPUT VOLTAGE OR VOLTAGE DOUBLER UNIT OPERATED AT LOWER INPUT VOLTAGE.

* MAXIMUM OUTPUT CURRENT IN OUTPUT VOLTAGE RANGE FROM 0 TO 25 PERCENT ABOVE LINE VOLTAGE. AT HIGHER OUTPUT VOLTAGES, OUTPUT CURRENT MUST BE REDUCED ACCORDING TO RATING CURVE (SEE FIGURE A).

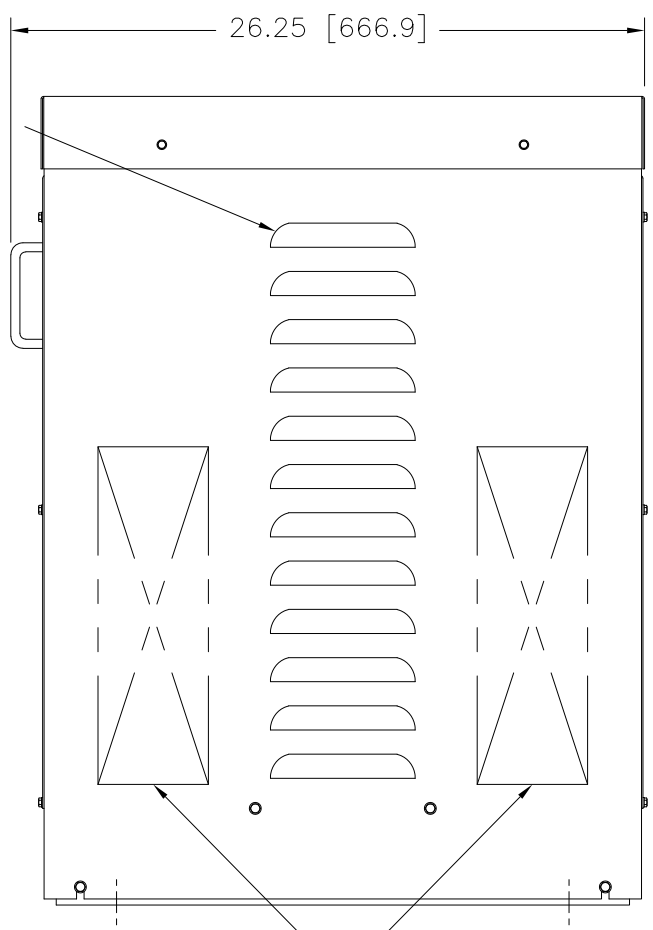
++ MAXIMUM KVA AT MAXIMUM OUTPUT AND CORRESPONDING DE-RATED CURRENT. MAXIMUM KVA AT LOWER OUTPUT VOLTAGES MAY BE CALCULATED FROM RATING CURVE, (SEE FIGURE A).

V.D. = VOLTAGE DOUBLER.

SPEED (SECONDS)	MODEL NUMBER
5	FV5M5021E-3Y
15	FV15M5021E-3Y
30	FV30M5021E-3Y
60	FV60M5021E-3Y



LOUVER VENTS
 BOTH SIDES



RECOMMENDED AREAS
 FOR CONDUIT ENTRY

WIRING	INPUT		OUTPUT			SHAFT ROTATION FOR VOLTAGE INCREASE	TERMINAL CONNECTIONS FOR INCREASING VOLTAGE AS VIEWED FROM TOP	
	VOLTS	HERTZ	VOLTS	CONSTANT CURRENT LOAD			INPUT	OUTPUT
				MAX. AMPS	MAX. KVA			
THREE PHASE WYE	480	50/60	0-480	28	23.3	CW	4-4-4	3-3-3
		60	0-560	28	27.2	CW	2-2-2	3-3-3
	240	60	0-560	28-12 V.D.	11.8 ++	CW	5-5-5	3-3-3

UNLESS OTHERWISE SPECIFIED, TOLERANCE IS ± DECIMALS .XX .XXX .12 .008 .03 ANGLES 1° 1-1/2° UNITS IN [mm] TITLE: SPEC. CONTROL DRAWING MOTORIZED VARIABLE XFMR. TYPE: FVM5021E-3Y

MATERIAL: ALL DIMENSIONS APPLY AFTER PLATING

DRAWN BY: TIM RAU DATE: 12/15/99 FIRST USED ON: DO NOT SCALE DWG. WEIGHT APPROX. CASE CODE 83008 DWG. NO. 031-8291

CHECKER: ENGINEER DATE: SCALE: .25=1 SHEET 1 OF 2

The information and design disclosed herein was originated by and is the property of STACO ENERGY PRODUCTS CO., which reserves all patent, proprietary, design, manufacturing, reproduction, use and sale rights therein, and to any article disclosed therein except to the extent rights are expressly granted to others. The foregoing does not apply to vendor proprietary parts.

STACO ENERGY PRODUCTS CO.
 A Components Corporation of America Company
 2425 Technical Drive Marietta, Ohio 45742 USA

8

7

6

5

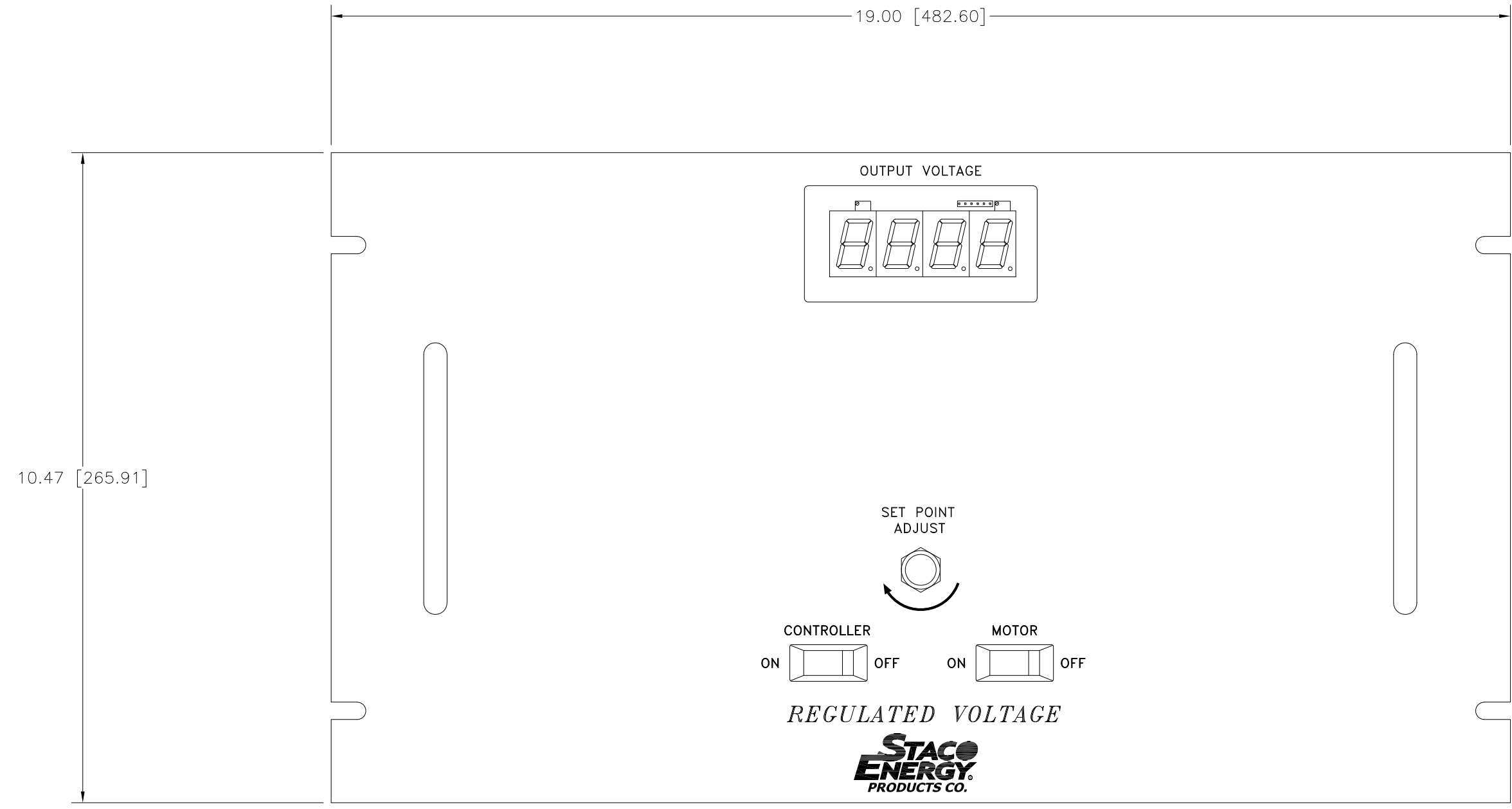
4

3

2

1

DWG. NO.	031-8291		
REVISIONS			
SYM.	E.C.O.	DATE	APVD.
A	29023	7/27/2	
UPDATED R/L SWITCH AND PANEL			



UNLESS OTHERWISE SPECIFIED, TOLERANCE IS ±		UNITS		TITLE:	
DECIMALS	HOLES	ANGLES	DRAFT	SPEC. CONTROL DRAWING	
.XX .010	.005	1°	1-1/2°	MOTORIZED VARIABLE XFMR	
.XXX .005				TYPE: FVM5021E-3Y	
MATERIAL:		ALL DIMENSIONS APPLY AFTER PLATING		DRAWN BY	
				TIM RAU	
				DATE	
				12/15/99	
				FIRST USED ON	
				DO NOT SCALE DWG.	
				CHECKER	
				DATE	
				WEIGHT APPROX.	
				CAGE CODE	
				83008	
				ENGINEER	
				DATE	
				SCALE	
				1=1	
				SHEET 2 OF 2	
				DWG. NO.	
				031-8291	



8

7

6

5

4

3

2

1