

LOC	DIST	REVISIONS			
P	LTN	DESCRIPTION	DATE	DWN	APVD
A		NEW DRAWING	01AUG2013	KH	MB
C		ECR-19-013847	04SEP2019	SS	JK

1 COUPLER DESIGNED TO MEET:  
 ANSI/TIA/EIA-568-B.2, CATEGORY 5E  
 IEC 60603-7, A8F, VARIANT 03  
 FCC PART 68  
 UL 1863

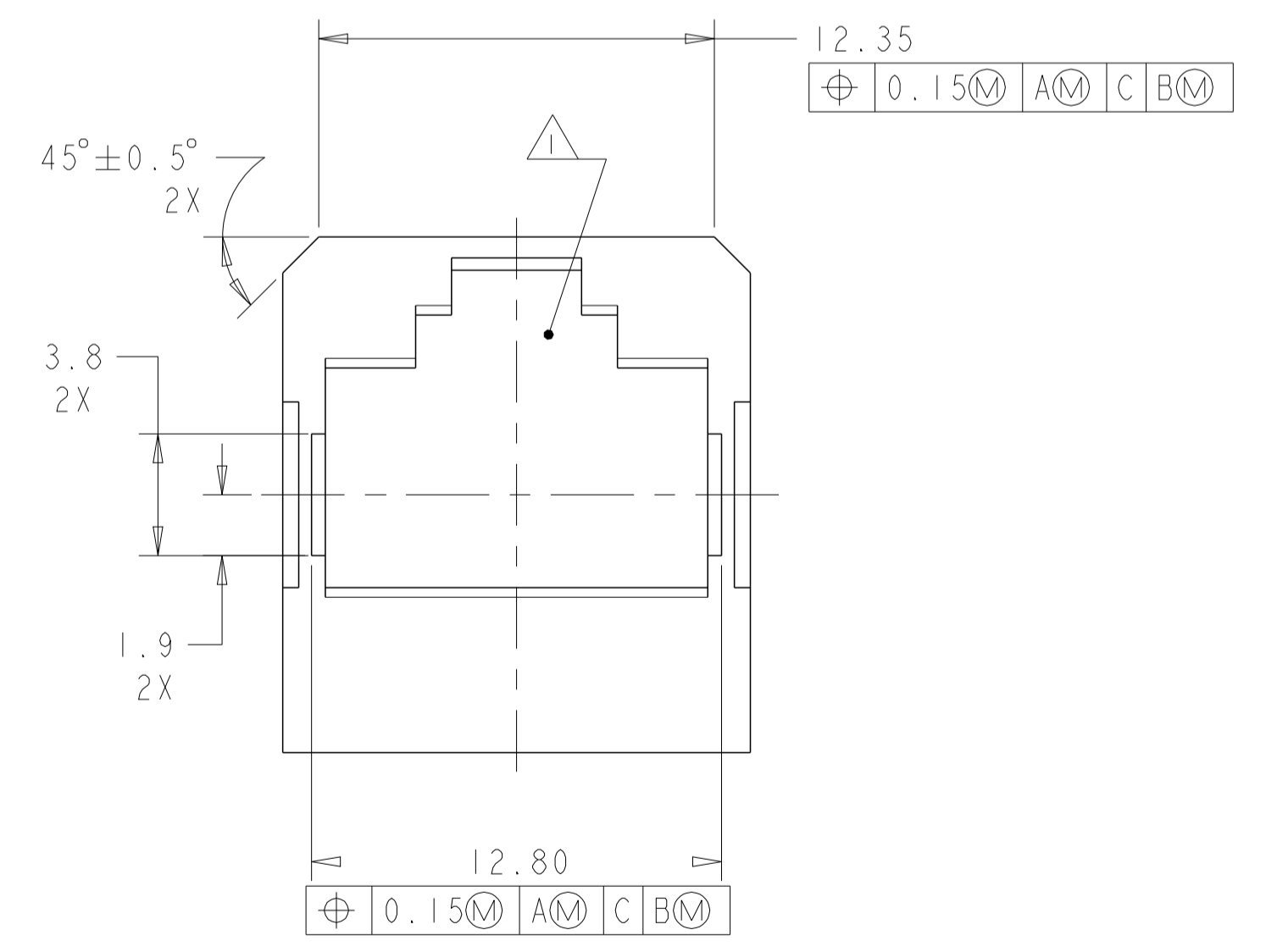
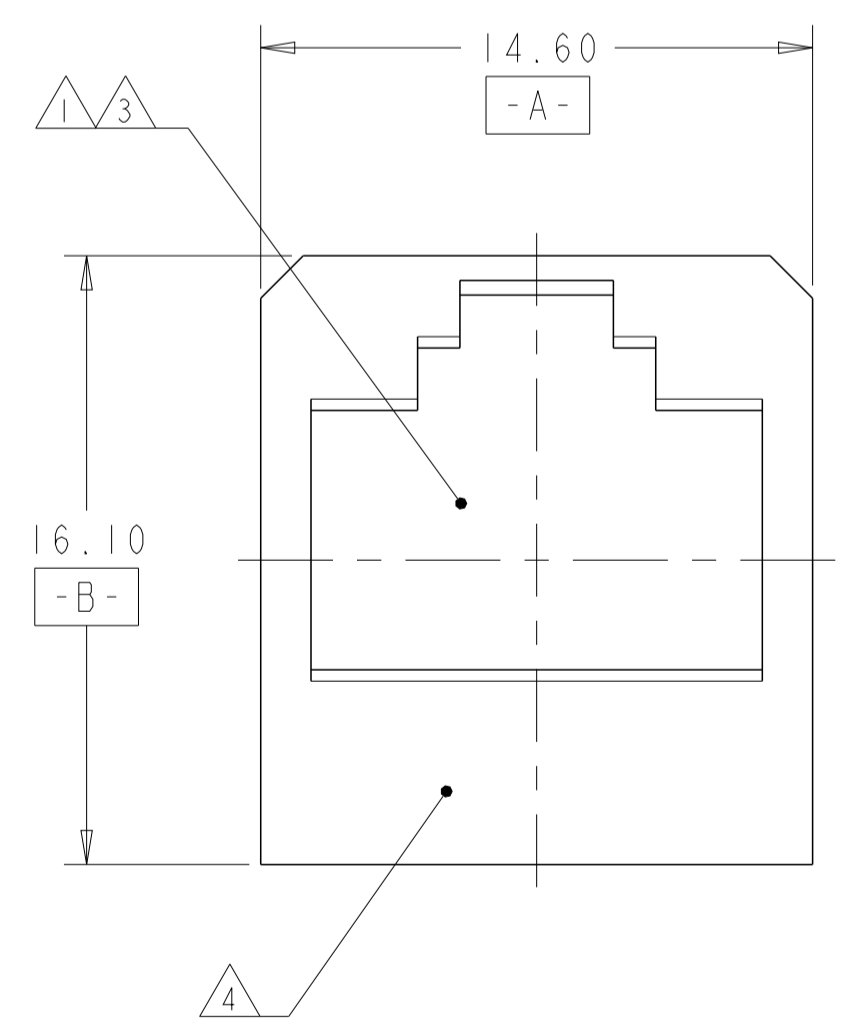
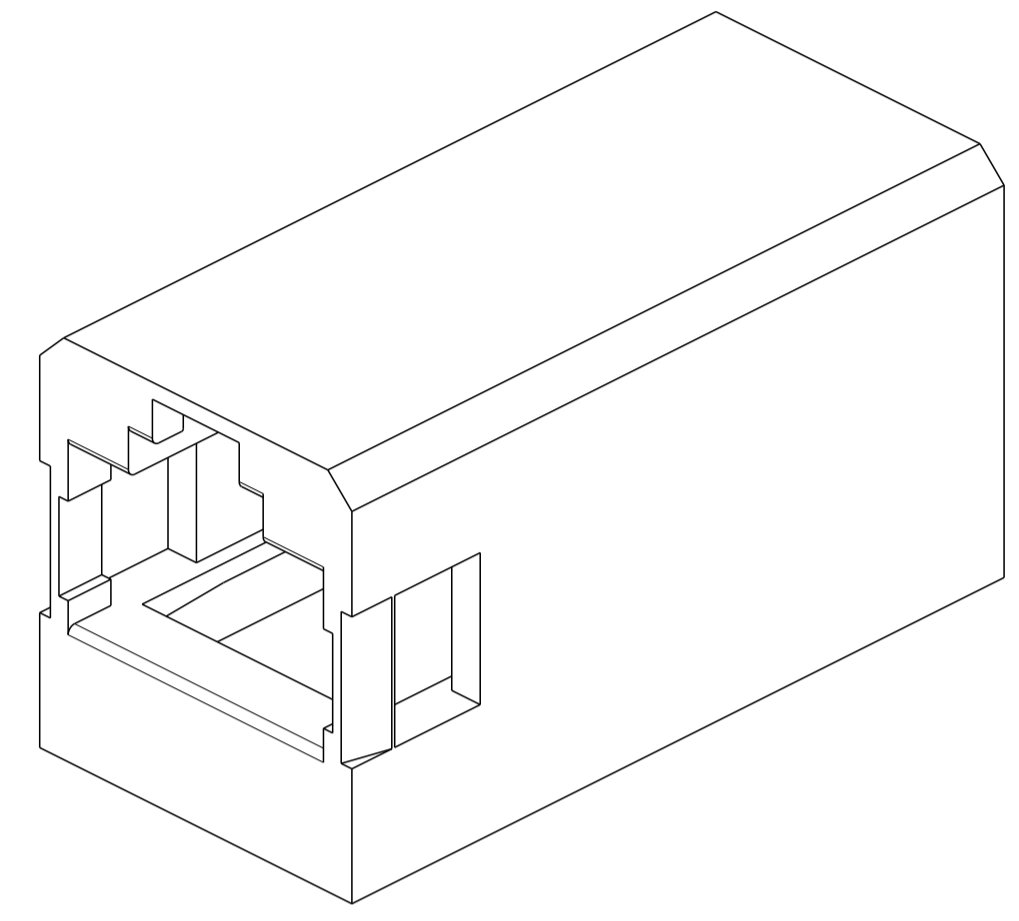
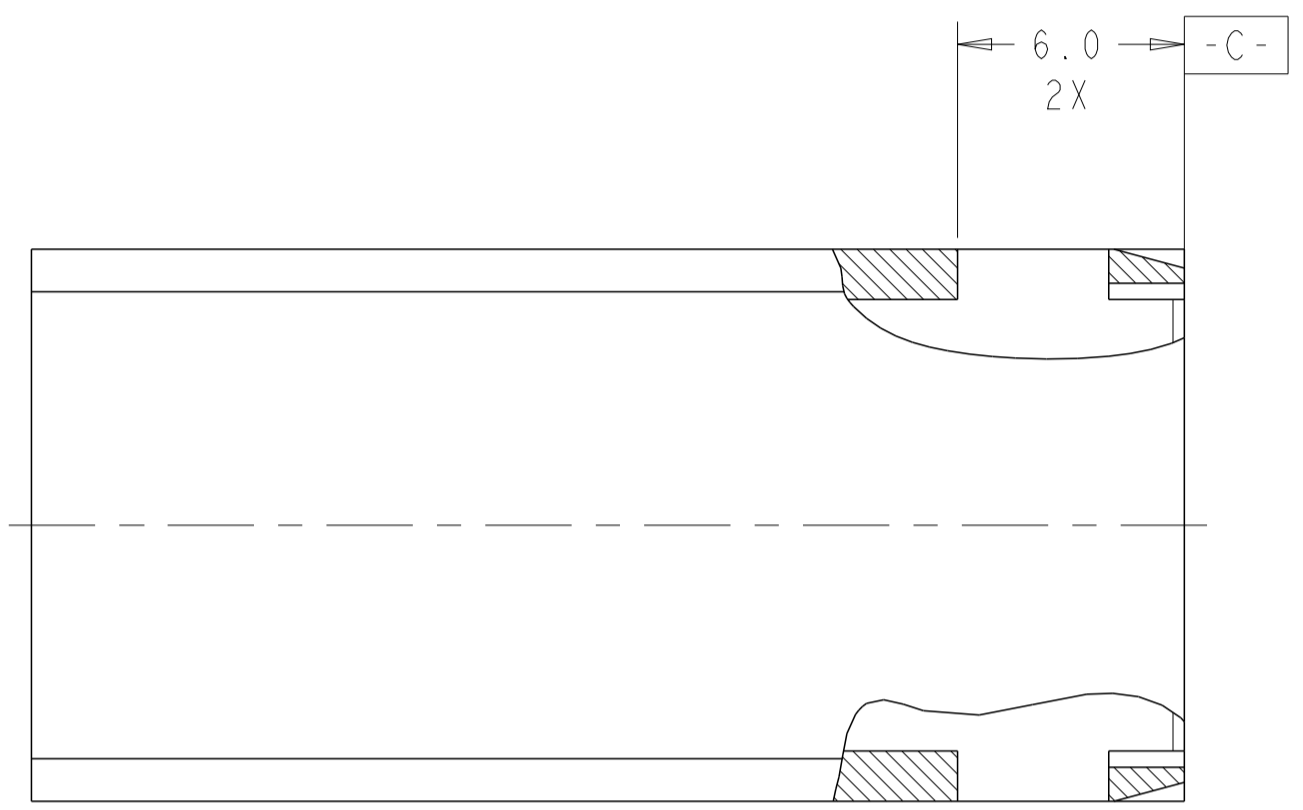
2 MATERIAL:  
 JACK HOUSING:  
 UL V-0 RATED AT 1.5mm THICKNESS, PC.  
 UL RTI RATING TO BE 85°C FOR ELECTRICALS.  
 AND MECHANICAL (WITHOUT IMPACT), COLOR BLACK.

CONTACTS:  
 PHOSPHOR BRONZE, PLATED WITH 1.27 μm MIN  
 GOLD PER ASTM B488 TYPE 2 GRADE B OVER 2.54 μm NICKEL PER QQ-N-290.  
 CONTACT LIFE TO BE 750 INSERTIONS AND EXTRACTIONS MINIMUM.

3 COUPLER CONTACTS ARE STRAIGHT PINNED TO THEIR RESPECTIVE CONTACTS  
 PIN 1-1, 2-2, 3-3, ETCETERA.

4 TE LOGO IN LOCATION SHOWN  
 RAISED 0.08 TO 0.015

5. COMPLIES WITH DIRECTIVE 2002/95/EC  
 (ROHS - RESTRICTIONS ON THE USE OF CERTAIN HAZARDOUS SUBSTANCES)  
 TO BE LEAD FREE.



MATERIALS (JACK HOUSING)	REMARKS	1738612-1 PART NUMBER
-----------------------------	---------	--------------------------

THIS DRAWING IS A CONTROLLED DOCUMENT.		DWN: KIRAN HOLAL 01AUG2013	MATERIALS	
DIMENSIONS:		CHK: BRUBAKER MARK 01AUG2013	REMARKS	
TOLERANCES UNLESS OTHERWISE SPECIFIED:		APVD: BRUBAKER MARK 01AUG2013	PART NUMBER	
mm	0 PLC ±0.2	PRODUCT SPEC	TE Connectivity	
	1 PLC ±0.2	APPLICATION SPEC	NAME	
	3 PLC ±0.08		COUPLER ASSEMBLY, MODULAR JACK, INDUSTRIAL CIRCULAR ETHERNET CONNECTOR	
	4 PLC ±		SIZE	
	ANGLES ±1°		CAGE CODE DRAWING NO	
MATERIAL	FINISH	WEIGHT	RESTRICTED TO	
SEE TABLE			A1 00779 C=1738612	
Customer Drawing			SCALE	SHEET
			5:1	1 OF 1
				REV C