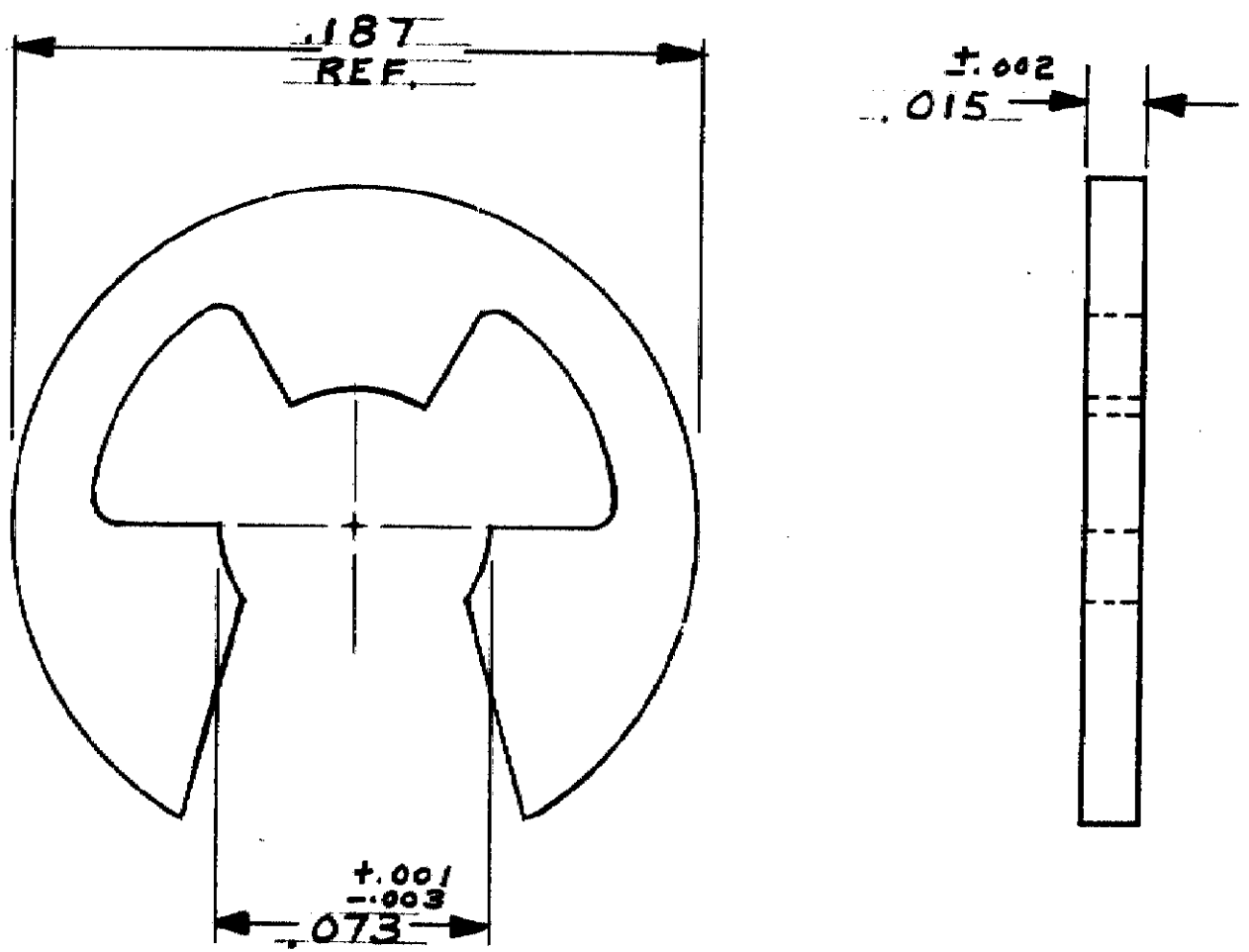


REVISIONS			
P	F	LTR	DESCRIPTION
		0	

THIS DRAWING IS UNPUBLISHED. RELEASED FOR PUBLICATION
 © COPYRIGHT 1982 BY AMP INCORPORATED, HARRISBURG, PA. ALL INTERNATIONAL RIGHTS RESERVED. AMP PRODUCTS MAY BE COVERED BY U.S. AND FOREIGN PATENTS AND/OR PATENTS PENDING.

531961-2 I. AS SHOWN



PART NO

UNLESS OTHERWISE SPECIFIED DIMENSIONS ARE IN INCHES. TOLERANCES ON: DECIMALS ± ANGLES ±	CONTRACT NO DR <i>M. Smith</i> 4-2-82 CHG <i>W. Hutchins</i> 5/11/82	AMP AMP INCORPORATED Harrisburg, Pa. 17105	
	MATERIAL STAINLESS STEEL	NAME E-RING JACKSCREW	SIZE A
FINISH PASSIVATED	DSGN APPD <i>E.T. Parsons</i> 5-12-82	DRAWING NO 531961	SHEET #
OTHER APPD	SCALE 20-1	SHEET #	