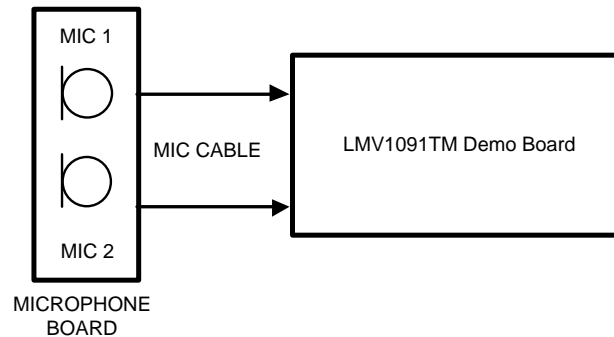


# **AN-1989 LMV1091 Noise Suppression Microphone Amplifier Evaluation Kit**

## **1 Overview**

The LMV1091TL evaluation kit contains the following:

- LMV1091TL Demonstration Board, 551600341–001
- Microphone board
- Microphone cable



**Figure 1. Basic Evaluation System**

## **2 Introduction**

The LMV1091 demo board ([Figure 2](#)) offers the means for easy evaluation of the LMV1091 Dual input, Far Field Noise Suppression (FFNS) Microphone Amplifier with Differential Outputs.

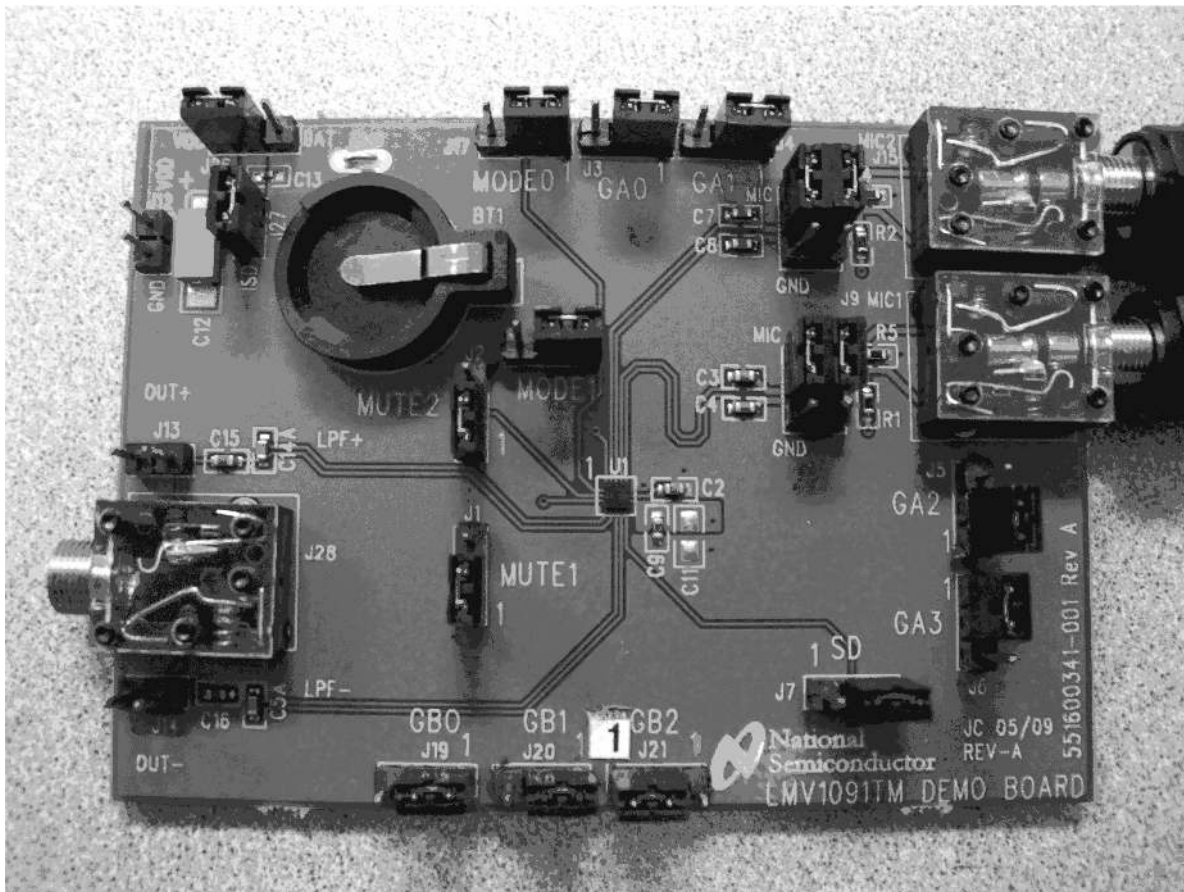
## **3 General Description**

The LMV1091 is a fully analog dual input, differential output, microphone array amplifier designed to reduce background acoustic noise, while delivering superb speech clarity in voice communications applications. The LMV1091 has two differential input microphone amplifier channels plus far-field noise suppression (FFNS) circuitry. The LMV1091 preserves near-field wire signals within 4cm of the microphones. While rejecting far-field acoustic noise greater than 50cm from the microphones. Up to 20dB of far-field rejection is possible in a properly configured and using  $\pm 0.5$ dB matched microphones.

## **4 Operating Conditions**

- Temperature Range  $-40^{\circ}\text{C} \leq T_A \leq 85^{\circ}\text{C}$
- Power Supply Voltage  $2.7\text{V} \leq V_{\text{DD}} \leq 5.5\text{V}$
- I<sup>2</sup>C supply voltage  $1.7\text{V} \leq I^2\text{CV}_{\text{DD}} \leq 5.5\text{V}$

All trademarks are the property of their respective owners.



**Figure 2. LMV1091TL Demo Board**

## 5 LMV1091 Demo Board

The LMV1091TL demo board takes analog inputs from two microphones and performs the Far Field noise cancellation process. It outputs an analog differential signal. This output can be connected to a recording device, such as a personal computer sound card through its LINE IN/MIC IN input or mobile phone through its MIC IN input, for evaluation purposes.

## 6 Power Supply of the LMV1091 Demo Board

The LMV1091 demo board provides two possible sources for the power supply:

- Using the external supply via header J12 for  $V_{DD}$  and GND. Header J26 needs to be in the position shown in [Figure 3](#).
- using a small battery placed in battery holder mounted on the PCB. See [Figure 4](#). For a limited time, the demo board can be operated from the board battery (CR1220 placed in the battery holder BT1). To operate the board using a battery, J26 must be configured as shown in [Figure 4](#).

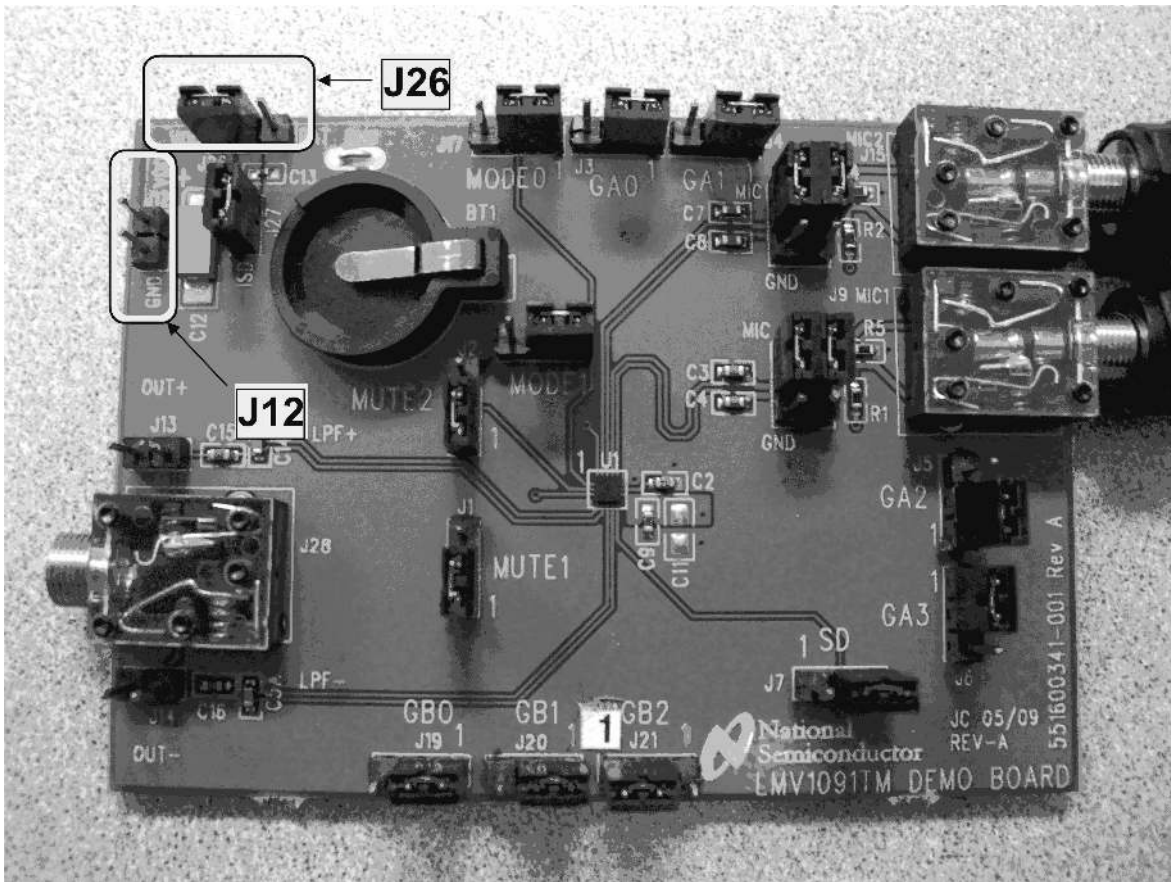
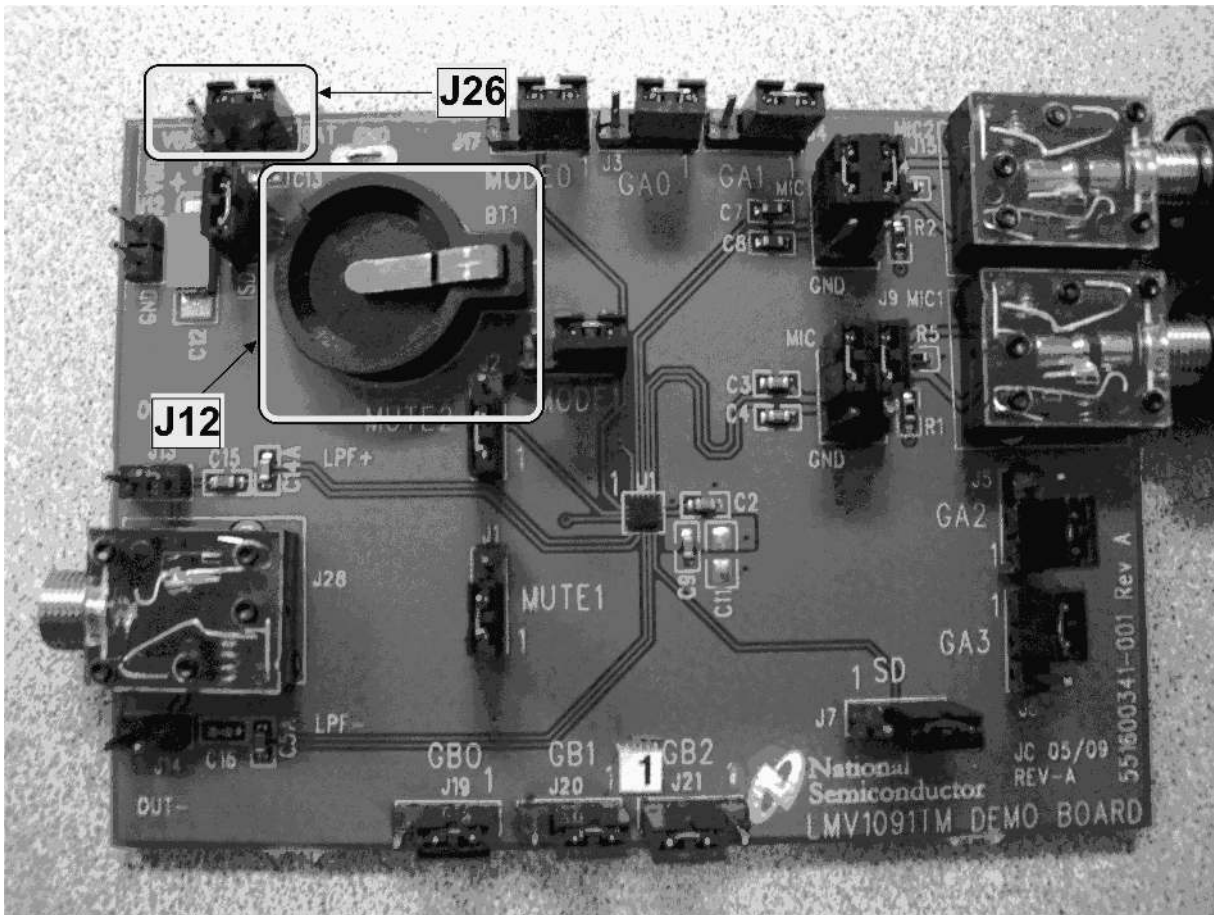


Figure 3. Power Supply Connectors and Headers



**Figure 4. Battery Power Supply**

## 7 Connecting Microphones to the LMV1091 Demo Board

The demo board can be used to connect a set of two microphones to the LMV1091 to evaluate the performance of the LMV1091 in a customer application. To enable these microphone input connectors, the jumpers on header J11 and J16 must be placed between pin 3–5 and pin 4–6 of both headers. Microphones can also be connected to 3.5mm connectors J9 and J15 (see [Figure 5](#)).

For an optimal performance of the Far Field Noise Reduction system it is important to find the correct placement of the microphones. In many applications the microphones are placed next to each other with a distance of 1.5cm to 2.5cm between the microphones. The best noise canceling performance will occur in systems where the far field signals comes from a source orthogonal to the plane of the microphones and where the desired signal is close to the microphones and is located in line with the microphones as shown in [Figure 6](#).

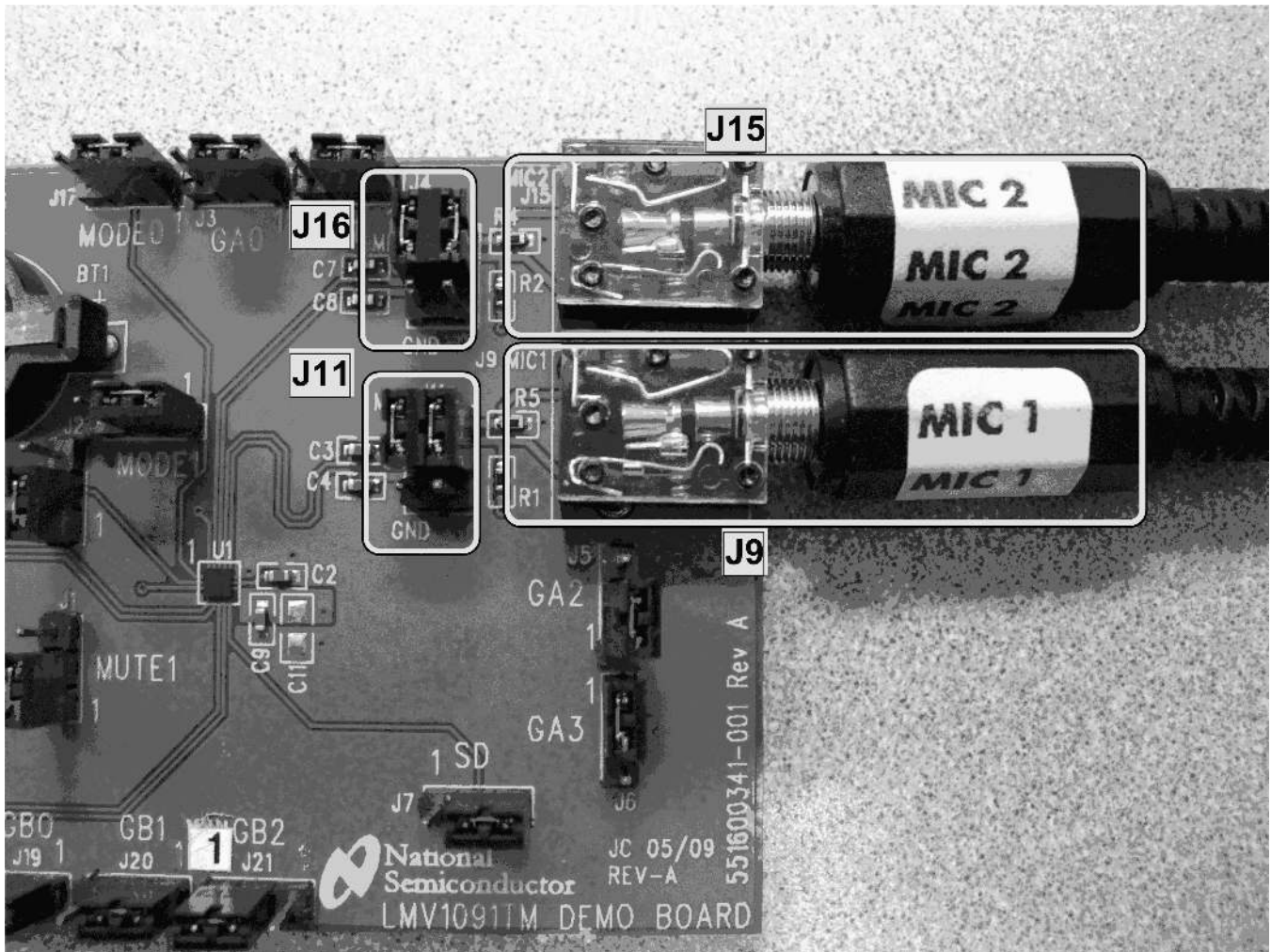


Figure 5. Orientation of Microphones and Sound Sources

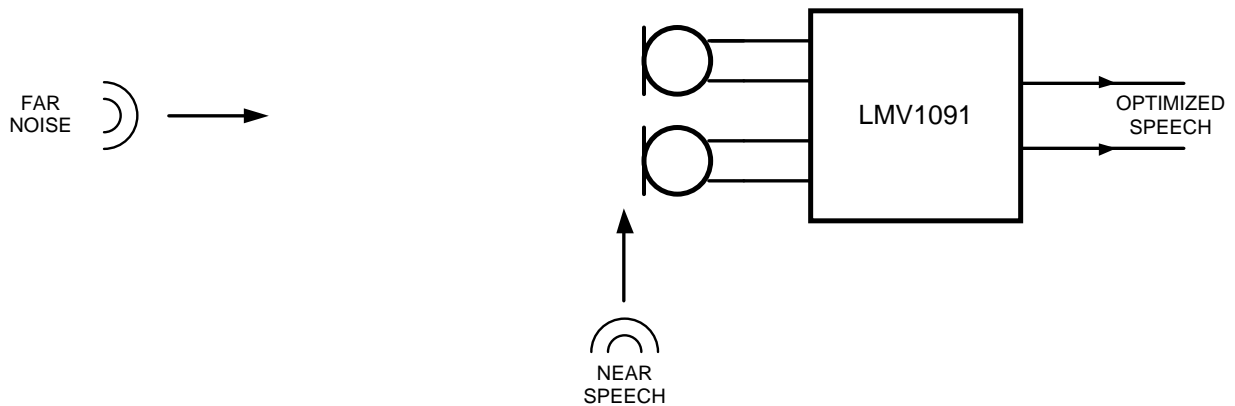


Figure 6. Orientation of Microphones and Sound Sources

## 8 Microphone Placement in the Application

Because the LMV1091 is a microphone array Far Field Noise Reduction solution, proper microphone placement is critical for optimum performance. Two things need to be considered: The spacing between the two microphones and the position of the two microphones relative to near field source.

If the spacing between the two microphones is too small, near field speech will be canceled along with the far field noise. Conversely, if the spacing between the two microphones is large, the far field noise reduction performance will be degraded. The optimum spacing between Mic 1 and Mic 2 is 1.5-2.5cm. This range provides a balance of minimal near field speech loss and maximum far field noise reduction. The microphones should be in line with the desired sound source 'near speech' and configured in an endfire array orientation from the sound source (see Figure 7). If the 'near speech' (desired sound source) is equidistant to the source like a broadside array (see Figure 8) the result will be a great deal of near field speech loss.

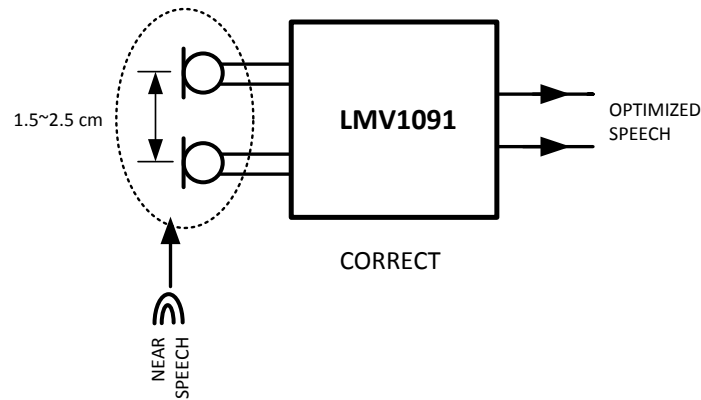


Figure 7. Endfire Array (Correct)

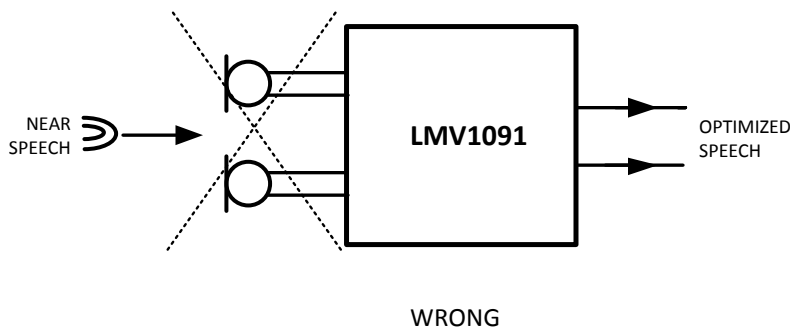


Figure 8. Broadside Array (Incorrect)

## 9 Pre Amp and Post Amp Gain

The Pre-amplifier gain of the LMV1091TM can be controlled using the GA0-GA3 pins. See [Table 1](#) for Pre-amplifier gain control.

The Post-Amp gain can be controlled using the GB0-GB2 pins. See [Table 2](#) for Post-amplifier gain control.

**Table 1. Mic Pre-Amp Gain Settings**

GA3	GA2	GA1	GA0	Pre-Amplifier Gain
0	0	0	0	6dB
0	0	0	1	8dB
0	0	1	0	10dB
0	0	1	1	12dB
0	1	0	0	14dB
0	1	0	1	16dB
0	1	1	0	18dB
0	1	1	1	20dB
1	0	0	0	22dB
1	0	0	1	24dB
1	0	1	0	26dB
1	0	1	1	28dB
1	1	0	0	30dB
1	1	0	1	32dB
1	1	1	0	34dB
1	1	1	1	36dB

**Table 2. Post-Amp Gain Settings**

GB2	GB1	GB0	Pre-Amplifier Gain
0	0	0	6dB
0	0	1	9dB
0	1	0	12dB
0	1	1	15dB
1	0	0	18dB
1	0	1	18dB
1	1	0	18dB
1	1	1	18dB

---

**NOTE:** The silkscreen on the LMV1091TM demo board has a '1' on the header for GA0–GA3, GB0–GB2, MUTE1, MUTE2, MODE0, and MODE1. The '1' indicates GND pin.

---

## 10 Noise Reduction Mode Settings

The LMV1091TM has four mode settings: Noise Cancellation Mode, MIC 1 On with MIC 2 off, MIC 2 On with MIC 1 off, and MIC1 and MIC2. See [Table 3](#) for control settings.

Mic 1 and Mic 2 can be muted independently, using the Mute 1 and Mute 2 pins. See [Table 4](#) for control settings.

**Table 3. Noise Reduction Mode Settings**

Mode 1	Mode 0	Noise Reduction Mode Selection
0	0	Noise Cancellation mode
0	1	Mic 1 On
1	0	Mic 2 On
1	1	Mic 1 + Mic 2

**Table 4. Noise Reduction Mute Settings**

Mute2	Mute1	Noise Reduction Mode Selection
0	0	Mic 1 and Mic 2 on
0	1	Mic 1 mute
1	0	Mic 2 mute
1	1	Mic 1 and Mic 2 mute

## 11 PCB Layout Guidelines

This section provides general practical guidelines for PCB layouts that use various power and ground traces. Designers should note that these are only "rule-of-thumb" recommendations and the actual results are predicated on the final layout.

### 11.1 Differential Signals

Keep both signals coupled by routing them closely together and keeping them of equal length. Keep all impedances in both traces of the signal equal.

### 11.2 Power and Ground

Connect all ground pins together under the part forming a star point. Keep the current for the de-coupling capacitor of the REF pin C4 and the accompanying ground pin B5 separated from the other currents. Keep the location of the supply de-coupling capacitor close to  $V_{DD}$  pin D5 and ground.



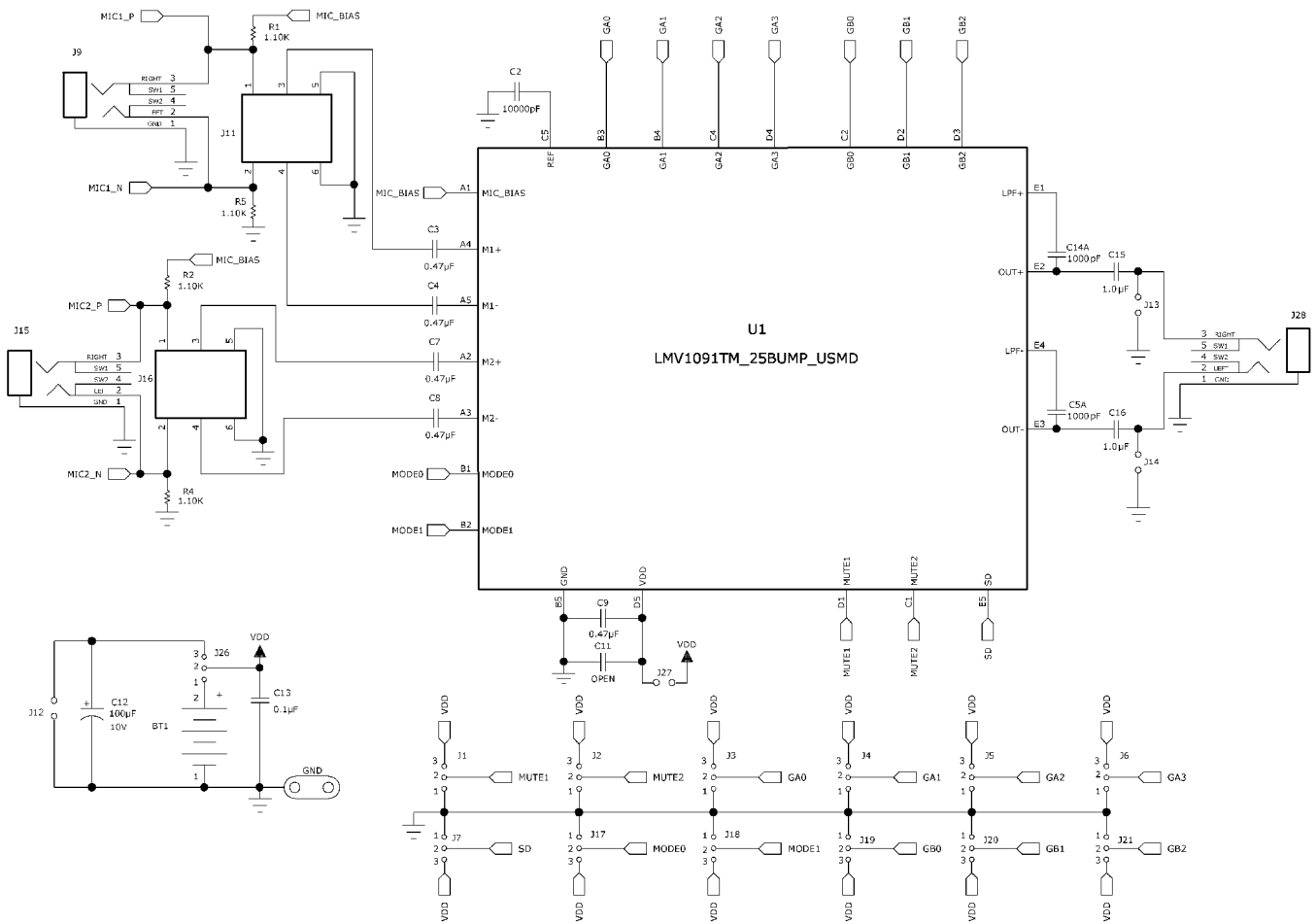
## 12 Headers and Connectors of the LMV1091 Demo Board

The LMV1091 demo board provides many headers and connectors for connecting test equipment and controlling the settings of the part, see [Table 5](#). The function that is controlled by the jumpers on the LMV1091 demo board is also indicated on the PCB in silk screen as shown in [Figure 9](#) (The name in parenthesis is as shown in the silk screen).

**Table 5. Connector and Header Functions**

Designator	Function or Use	Comment
J12	Power supply connector for external supply	
J26	Supply select pin external ( $V_{DD}$ ) or battery (BAT)	
J11, J16	Connection for input of electrical test signals at pin 4+5	Pin 3+4 differential input with ground at Pin 5+6
J8, J10	Low pass filter selection (LPF+, LPF-)	Pin 1+2 to connect to an external LPF capacitor. Pin 2+3 select the on board LPF capacitor C5, C14 (a minimum of 1nF is always mounted on the board).
J26	Supply select pin external ( $V_{DD}$ ) or battery (BAT)	
J27	Connects Supply to $V_{DD}$ pin	
J1	Select for MUTE1	
J2	Select for MUTE2	
J3	Select for GA0	
J4	Select for GA1	
J5	Select for GA2	
J6	Select for GA3	
J7	Select for SD	
J17	Select for MODE0	
J18	Select for MODE1	
J19	Select for GB0	
J20	Select for GB1	
J21	Select for GB2	
J13, J14	GND outputs (option to test for various parameters)	

### 13 Schematic



14 Layout

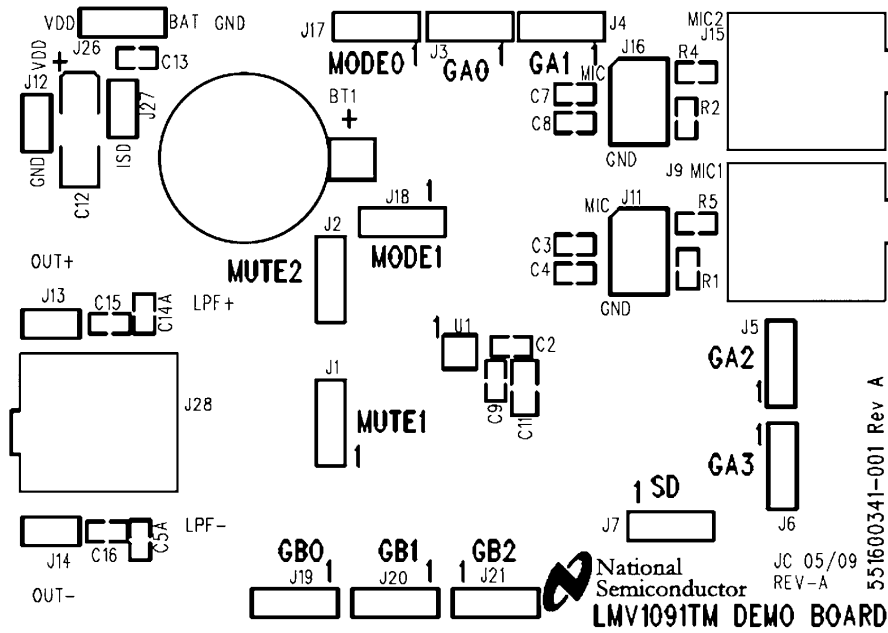


Figure 9. Layout, Silk Screen

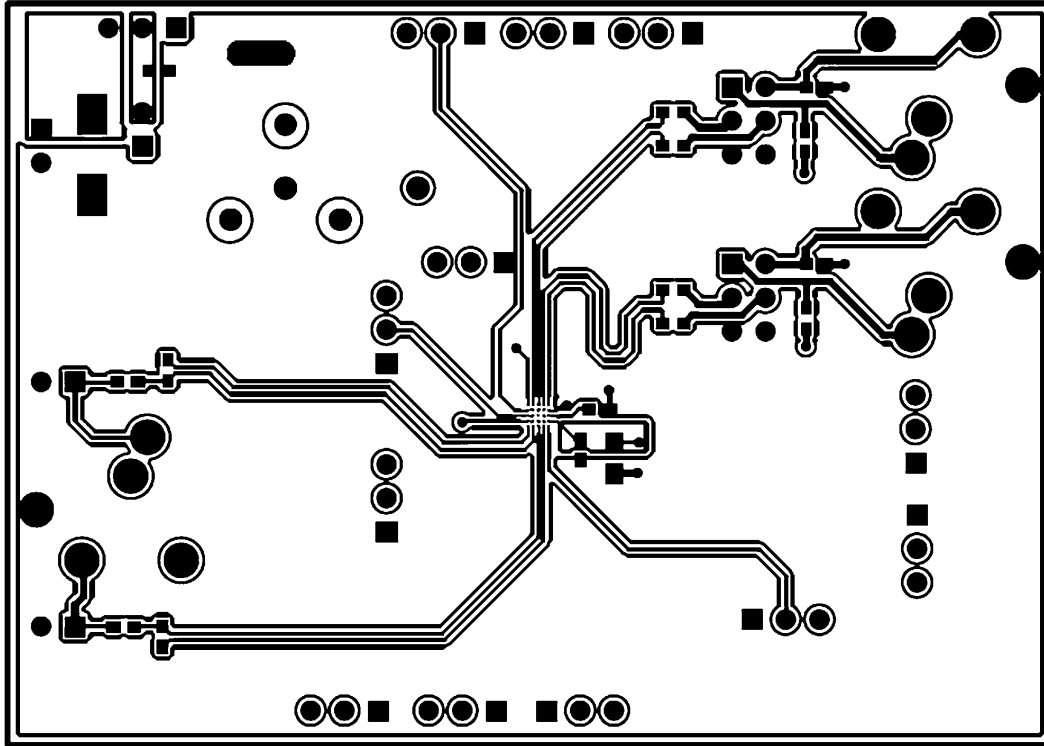


Figure 10. Layout, Top Layer

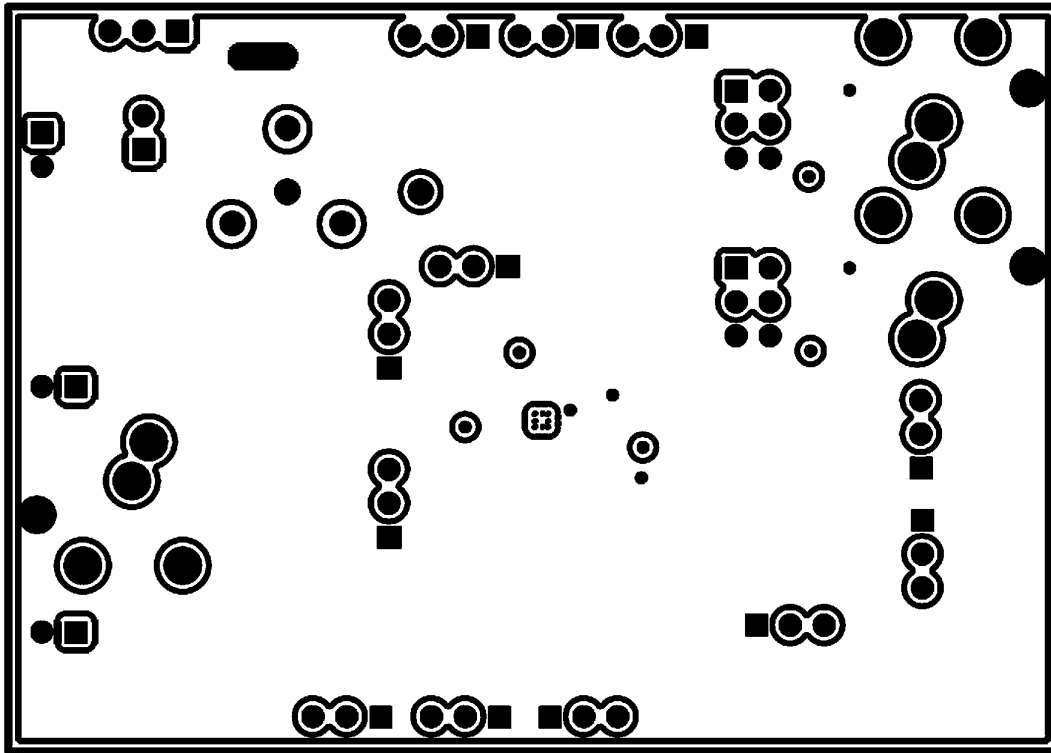


Figure 11. Layout, Top Inner Layer

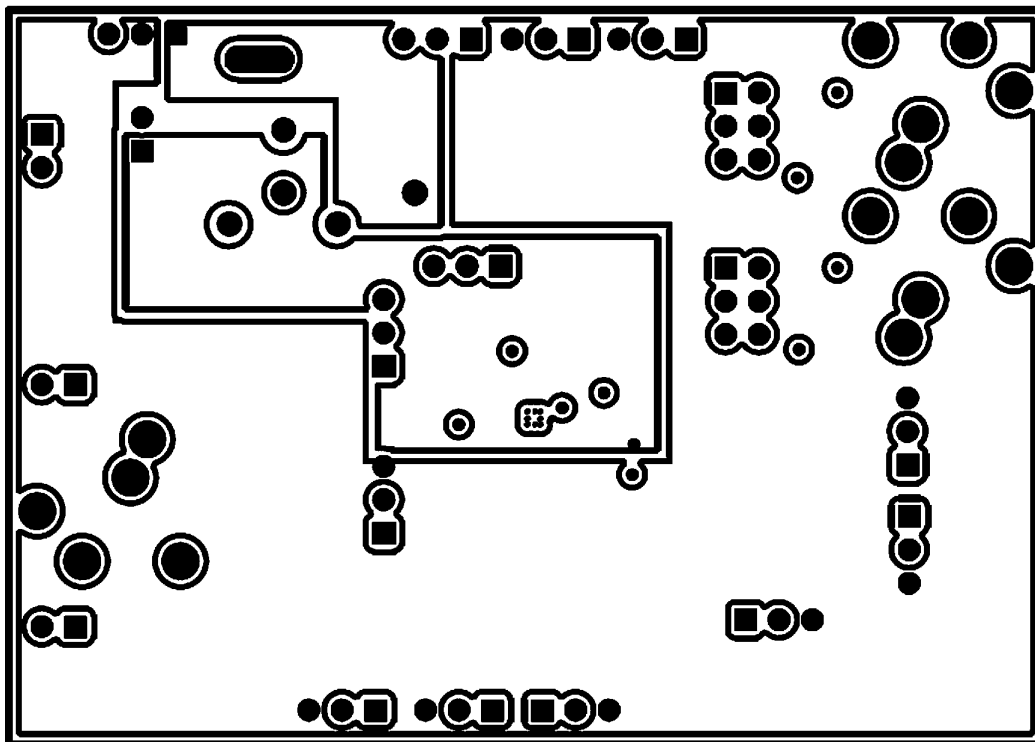


Figure 12. Layout, Bottom Inner Layer

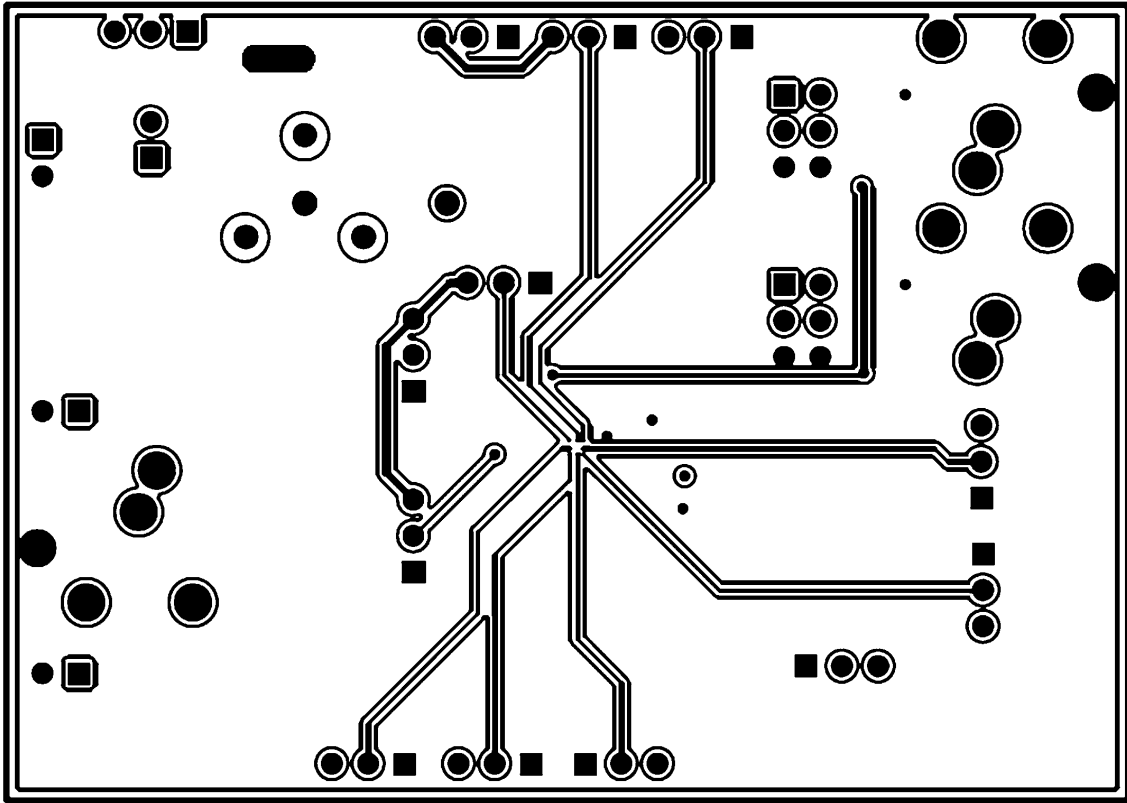


Figure 13. Layout, Bottom Layer

## 15 Bill of Materials

Designator	Component	Value	Tolerance	Rating	Package Type
U1	LMV1091				
C15, C16	Capacitor Ceramic	1.0 $\mu$ F	10%	16V	0603
C2	Capacitor Ceramic	10000pF	10%	50V	0603
C3, C4, C7, C8, C9	Capacitor Ceramic	0.47pF	10%	16V	0603
C5A, C14A	Capacitor Ceramic	4.7nF	10%	100V	0603
C13	Capacitor Ceramic	0.1 $\mu$ F	10%	16V	0603
C11	No Load	No Load			
C12	Capacitor Tantalum	100 $\mu$ F	10%	10V	Case C
R1, R2, R4, R5	Resistor	1.1k	1%	1/10W	0603
J12, J13, J14, J27	Connector Header Brkway .100 02POS STR				
J11, J16	Connector Header Brkway .100 06POS VERT				
J9, J15, J28	5 Pole Headphone conn jack stereo 3.5mm horizontal				
GND	Ground hook jumper 5mm high mount				
BT1	Battery holder CR1220, 1 cell 12mm				
J1_SH, J2_SH, J3_SH, J4_SH, J5_SH, J6_SH, J7_SH, J11a_SH, J11b_SH, J16a_SH, J16b_SH, J17_SH, J18_SH, J19_SH, J20_SH, J21_SH, J26_SH	Jumper Shunt 0.100" 30 $\mu$ in Au (no handle)				
J1, J2, J3, J4, J5, J6, J7, J18, J19, J20, J21, J26	Connector Header Brkway .100 03POS STR				

## 16 Revision History

Rev	Date	Description
1.0	11/12/09	Initial release.

## IMPORTANT NOTICE

Texas Instruments Incorporated and its subsidiaries (TI) reserve the right to make corrections, enhancements, improvements and other changes to its semiconductor products and services per JESD46, latest issue, and to discontinue any product or service per JESD48, latest issue. Buyers should obtain the latest relevant information before placing orders and should verify that such information is current and complete. All semiconductor products (also referred to herein as "components") are sold subject to TI's terms and conditions of sale supplied at the time of order acknowledgment.

TI warrants performance of its components to the specifications applicable at the time of sale, in accordance with the warranty in TI's terms and conditions of sale of semiconductor products. Testing and other quality control techniques are used to the extent TI deems necessary to support this warranty. Except where mandated by applicable law, testing of all parameters of each component is not necessarily performed.

TI assumes no liability for applications assistance or the design of Buyers' products. Buyers are responsible for their products and applications using TI components. To minimize the risks associated with Buyers' products and applications, Buyers should provide adequate design and operating safeguards.

TI does not warrant or represent that any license, either express or implied, is granted under any patent right, copyright, mask work right, or other intellectual property right relating to any combination, machine, or process in which TI components or services are used. Information published by TI regarding third-party products or services does not constitute a license to use such products or services or a warranty or endorsement thereof. Use of such information may require a license from a third party under the patents or other intellectual property of the third party, or a license from TI under the patents or other intellectual property of TI.

Reproduction of significant portions of TI information in TI data books or data sheets is permissible only if reproduction is without alteration and is accompanied by all associated warranties, conditions, limitations, and notices. TI is not responsible or liable for such altered documentation. Information of third parties may be subject to additional restrictions.

Resale of TI components or services with statements different from or beyond the parameters stated by TI for that component or service voids all express and any implied warranties for the associated TI component or service and is an unfair and deceptive business practice. TI is not responsible or liable for any such statements.

Buyer acknowledges and agrees that it is solely responsible for compliance with all legal, regulatory and safety-related requirements concerning its products, and any use of TI components in its applications, notwithstanding any applications-related information or support that may be provided by TI. Buyer represents and agrees that it has all the necessary expertise to create and implement safeguards which anticipate dangerous consequences of failures, monitor failures and their consequences, lessen the likelihood of failures that might cause harm and take appropriate remedial actions. Buyer will fully indemnify TI and its representatives against any damages arising out of the use of any TI components in safety-critical applications.

In some cases, TI components may be promoted specifically to facilitate safety-related applications. With such components, TI's goal is to help enable customers to design and create their own end-product solutions that meet applicable functional safety standards and requirements. Nonetheless, such components are subject to these terms.

No TI components are authorized for use in FDA Class III (or similar life-critical medical equipment) unless authorized officers of the parties have executed a special agreement specifically governing such use.

Only those TI components which TI has specifically designated as military grade or "enhanced plastic" are designed and intended for use in military/aerospace applications or environments. Buyer acknowledges and agrees that any military or aerospace use of TI components which have **not** been so designated is solely at the Buyer's risk, and that Buyer is solely responsible for compliance with all legal and regulatory requirements in connection with such use.

TI has specifically designated certain components as meeting ISO/TS16949 requirements, mainly for automotive use. In any case of use of non-designated products, TI will not be responsible for any failure to meet ISO/TS16949.

### Products

Audio	<a href="http://www.ti.com/audio">www.ti.com/audio</a>
Amplifiers	<a href="http://amplifier.ti.com">amplifier.ti.com</a>
Data Converters	<a href="http://dataconverter.ti.com">dataconverter.ti.com</a>
DLP® Products	<a href="http://www.dlp.com">www.dlp.com</a>
DSP	<a href="http://dsp.ti.com">dsp.ti.com</a>
Clocks and Timers	<a href="http://www.ti.com/clocks">www.ti.com/clocks</a>
Interface	<a href="http://interface.ti.com">interface.ti.com</a>
Logic	<a href="http://logic.ti.com">logic.ti.com</a>
Power Mgmt	<a href="http://power.ti.com">power.ti.com</a>
Microcontrollers	<a href="http://microcontroller.ti.com">microcontroller.ti.com</a>
RFID	<a href="http://www.ti-rfid.com">www.ti-rfid.com</a>
OMAP Applications Processors	<a href="http://www.ti.com/omap">www.ti.com/omap</a>
Wireless Connectivity	<a href="http://www.ti.com/wirelessconnectivity">www.ti.com/wirelessconnectivity</a>

### Applications

Automotive and Transportation	<a href="http://www.ti.com/automotive">www.ti.com/automotive</a>
Communications and Telecom	<a href="http://www.ti.com/communications">www.ti.com/communications</a>
Computers and Peripherals	<a href="http://www.ti.com/computers">www.ti.com/computers</a>
Consumer Electronics	<a href="http://www.ti.com/consumer-apps">www.ti.com/consumer-apps</a>
Energy and Lighting	<a href="http://www.ti.com/energy">www.ti.com/energy</a>
Industrial	<a href="http://www.ti.com/industrial">www.ti.com/industrial</a>
Medical	<a href="http://www.ti.com/medical">www.ti.com/medical</a>
Security	<a href="http://www.ti.com/security">www.ti.com/security</a>
Space, Avionics and Defense	<a href="http://www.ti.com/space-avionics-defense">www.ti.com/space-avionics-defense</a>
Video and Imaging	<a href="http://www.ti.com/video">www.ti.com/video</a>

### TI E2E Community

[e2e.ti.com](http://e2e.ti.com)