

**Ratings**

Voltage: 150 V  
Temperature: -40~70 °C

**Conductor**

Conductor count: 8  
Gauge: 20 AWG 0.51 mm<sup>2</sup>  
Material: Tinned copper strands  
Strand size:  $\varnothing 0.1 \times 65$   
Resistance at 20 °C: 36.7  $\Omega$  /km Max

**Insulator**

Material: HDPE  
Color: red, black, white, yellow, blue, green, orange, purple  
Diameter:  $\varnothing 1.45 \pm 0.10$  mm  
Nominal thickness: 0.24 mm  
Resistance at 20 °C: 100 M $\Omega$  /km Min

**Wrap**

Material: cotton paper

**Filler**

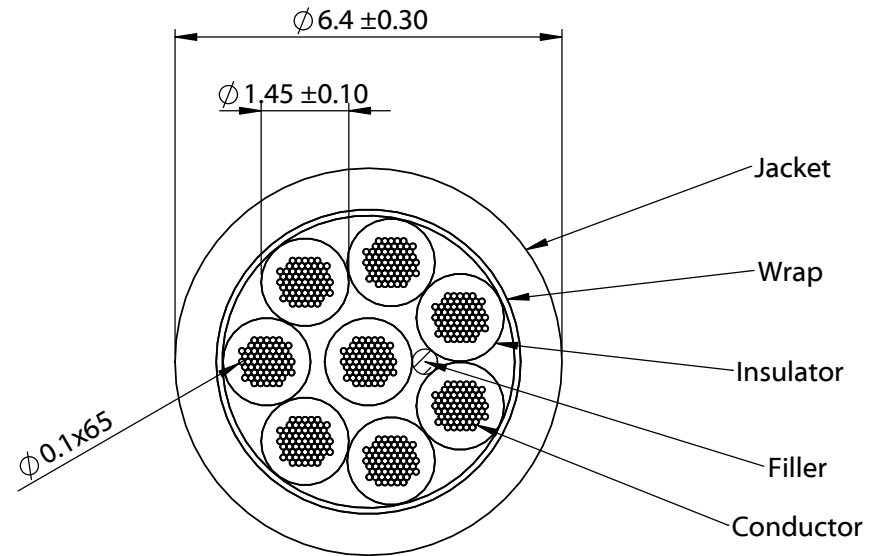
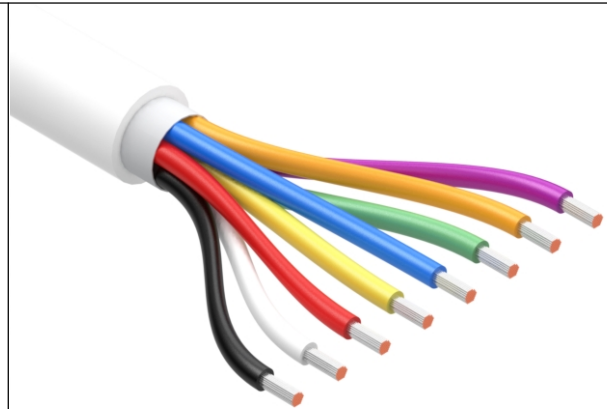
Material: aramid fiber

**Outer jacket**

Material: TPU  
Color: white  
Diameter:  $\varnothing 6.4 \pm 0.30$  mm  
Nominal thickness: 0.7 mm

**Tests**

Tensile strength: 26 kgf min  
Dielectric test: 1500 V dc for 1 minute without breakdown  
Bend test at 200 g,  $\pm 60^\circ$ , 30 cycles /min: 15,000 cycle minimum



Revision:	Date:	Description:
A	9/12/2022	Initial release

Prepared: **MP**  
Digitally signed by MP  
Date: 2022.09.16  
08:07:33 -0700

Verified: **PB**  
Digitally signed by PB  
Date: 2022.09.22  
11:54:27 -0700

Dimensions are in millimeters.  
Tolerances:  
X:  $\pm 0.5$  mm  
X.X:  $\pm 0.3$  mm  
X.XX:  $\pm 0.05$  mm

Notes:  
RoHS compliant  
Jacket meets ISO 10993 Biological Compatibility  
Phthalate and halogen free  
Function test: no open, no short, no intermittent

Description:  
Wire, 8C TS, 20 AWG, 150V, 70C, 6.4 mm, TPU, 75A, white, WBL

**TENSILITY**

tel 1.541.323.3228 800 877.670.7118  
fax 1.541.323.4202 web tensility.com

Size: A	Part number: 30-02823
Scale: 8:1	Sheet 1 of 1

5 4 3 2 1

To see a custom version of this cable assembly, call Tensility at 541-323-3228 or email engineering@tensility.com