

THIS DRAWING IS UNPUBLISHED.

RELEASED FOR PUBLICATION

ALL RIGHTS RESERVED.

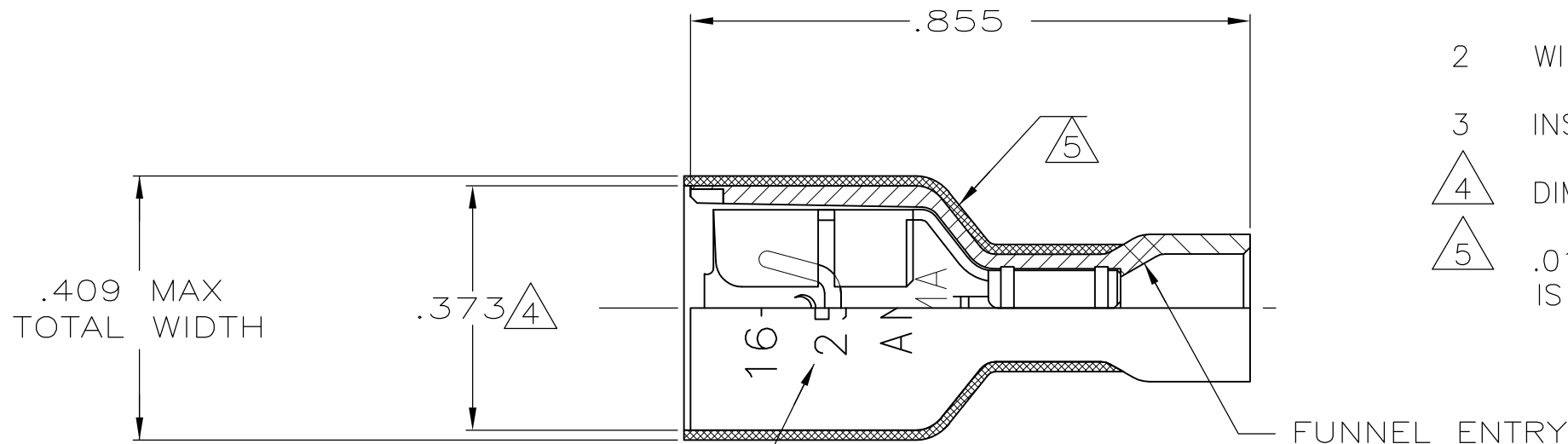
© COPYRIGHT - By -

LOC AF DIST 50

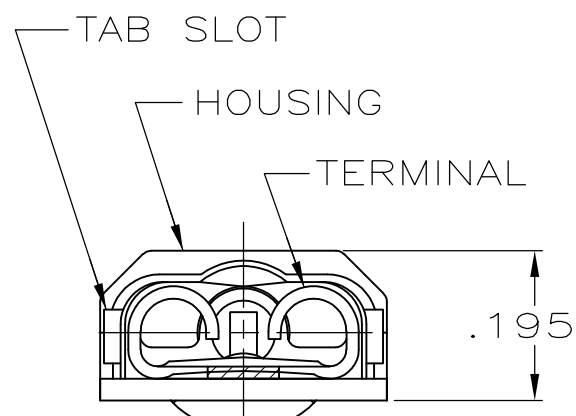
REVISIONS

P	LTR	DESCRIPTION	DATE	DWN	APVD
	K	REVISED PER ECR-13-004343	30JUL13	KH	KR

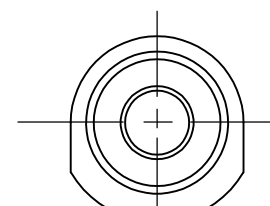
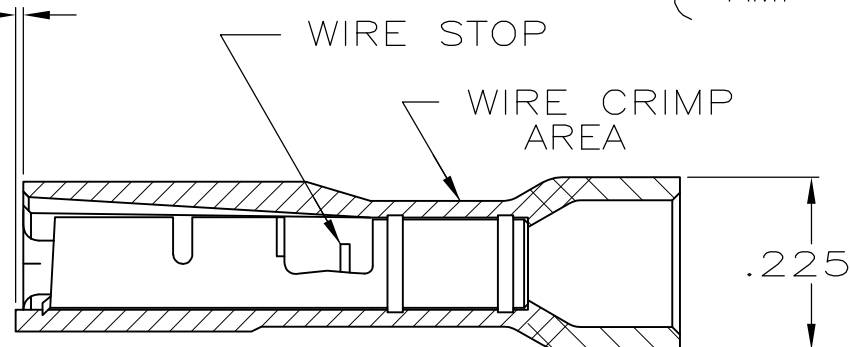
- 1 MATES WITH .032±.001x.250 TAB
- 2 WIRE STRIP LENGTH .281
- 3 INSULATION SIZE .090-.160 MAX DIA
- △4 DIMENSION DOES NOT INCLUDE TRIM BURR
- △5 .015 MAX CARRIER TRIM BURR PER SIDE IS ALLOWABLE IN THE SHADED AREA



WIRE AND RECEPTACLE SIZE IDENTIFICATION } 16-14  
250 AMP



.010 MAX CUT-OFF TAB



HOUSING: NYLON, COLOR-BLUE TRANSLUCENT  
RECEPTACLE: BRASS  
TIN

3-520408-2

MATERIAL & FINISH

PART NO

THIS DRAWING IS A CONTROLLED DOCUMENT.

DWN P FORTNEY 10/27/88

CHK MS FEHER 11/14/88

APVD K RANDOLPH 11/14/88

PRODUCT SPEC

108-2044

APPLICATION SPEC

114-2123

WEIGHT -

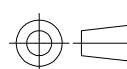
NAME RECEPTACLE ASSY, ULTRA-FAST PLUS, LOOSE PIECE, .250 SERIES, 16-14 AWG

SIZE	CAGE CODE	DRAWING NO	RESTRICTED TO
A3	00779	C-520408	-

DIMENSIONS: INCHES

TOLERANCES UNLESS OTHERWISE SPECIFIED:

0 PLC	± -
1 PLC	± -
2 PLC	± -
3 PLC	± .015
4 PLC	± -
ANGLES	± -



MATERIAL SEE TABLE

FINISH SEE TABLE

CUSTOMER DRAWING

SCALE 4:1

SHEET 1 OF 1

REV K