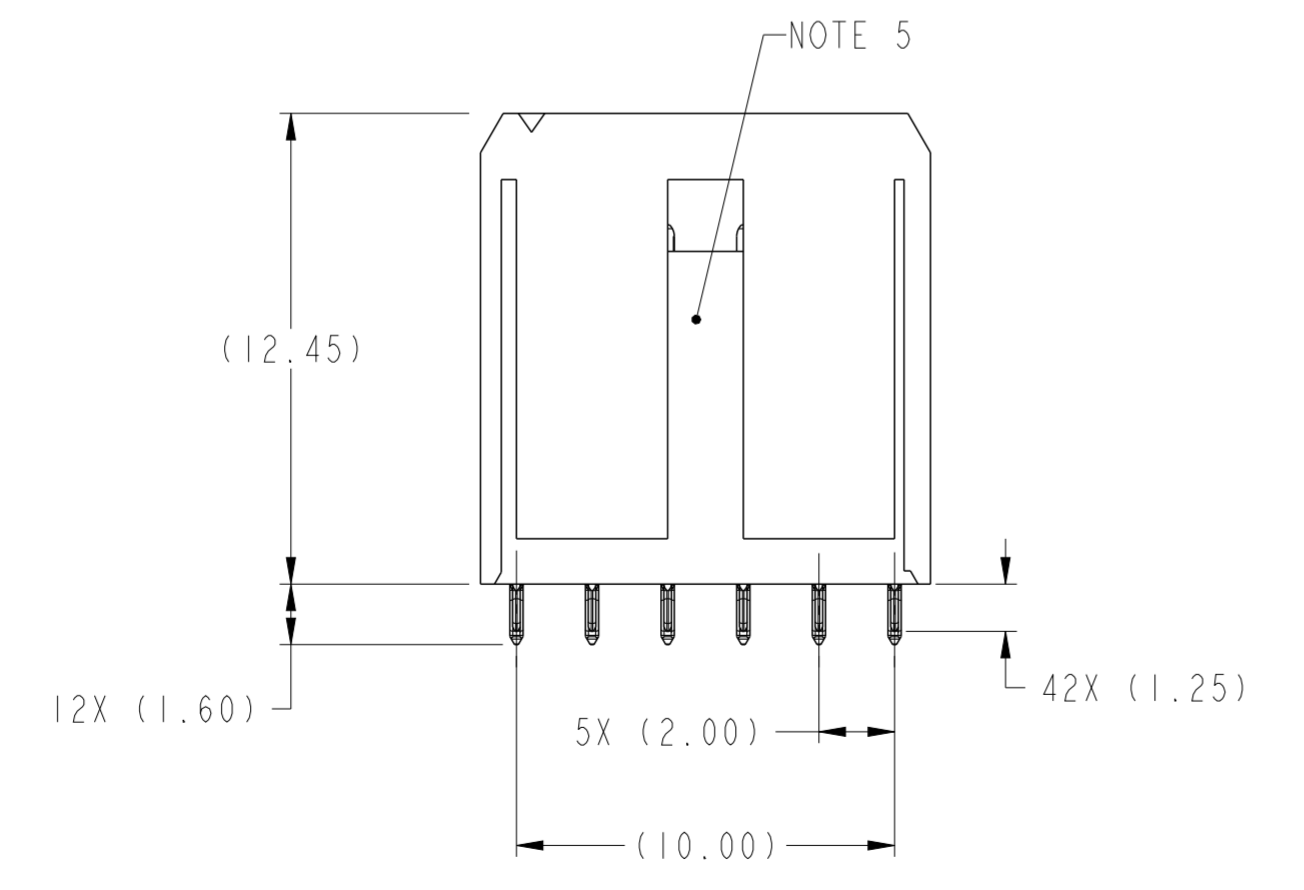
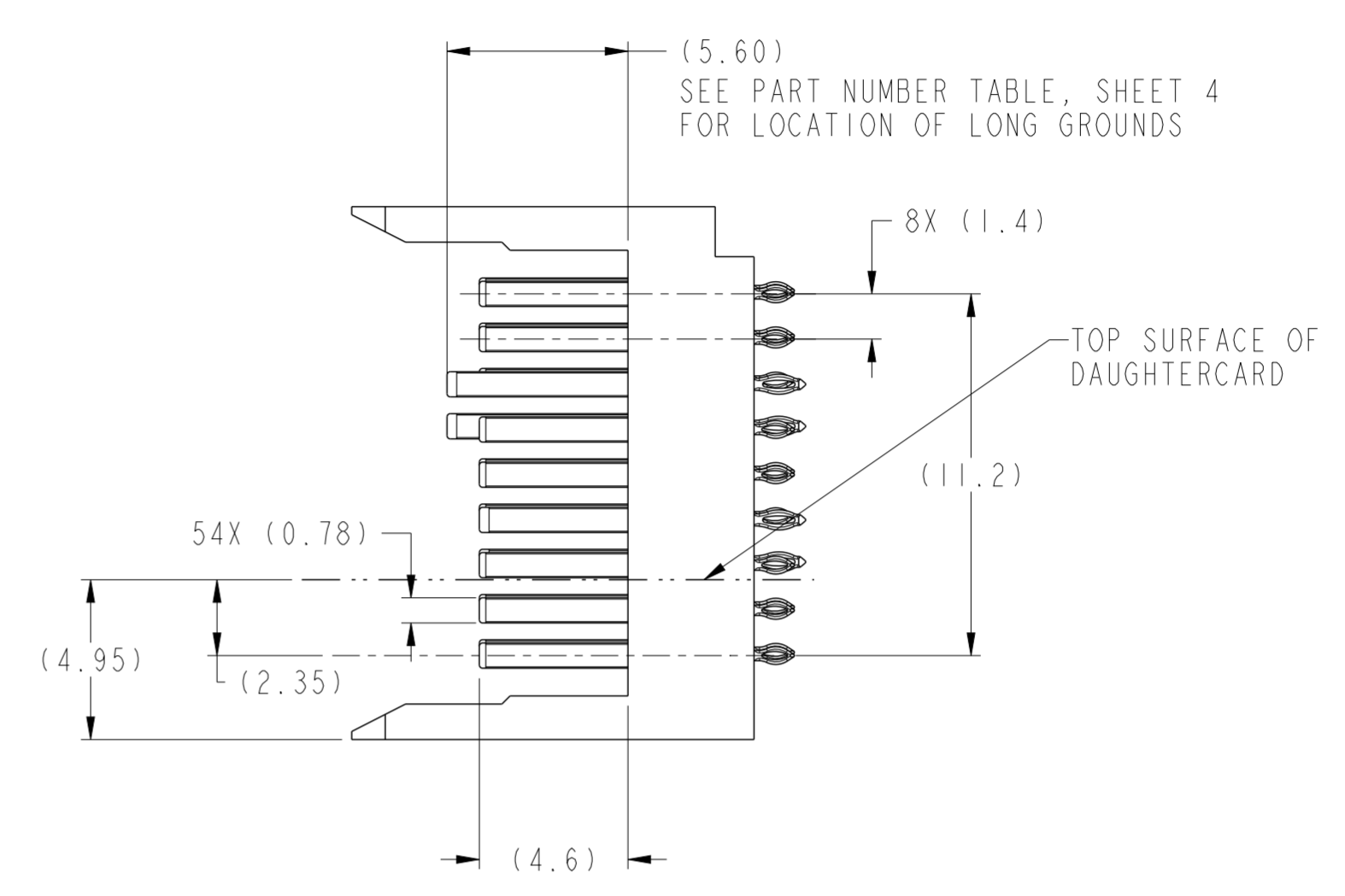
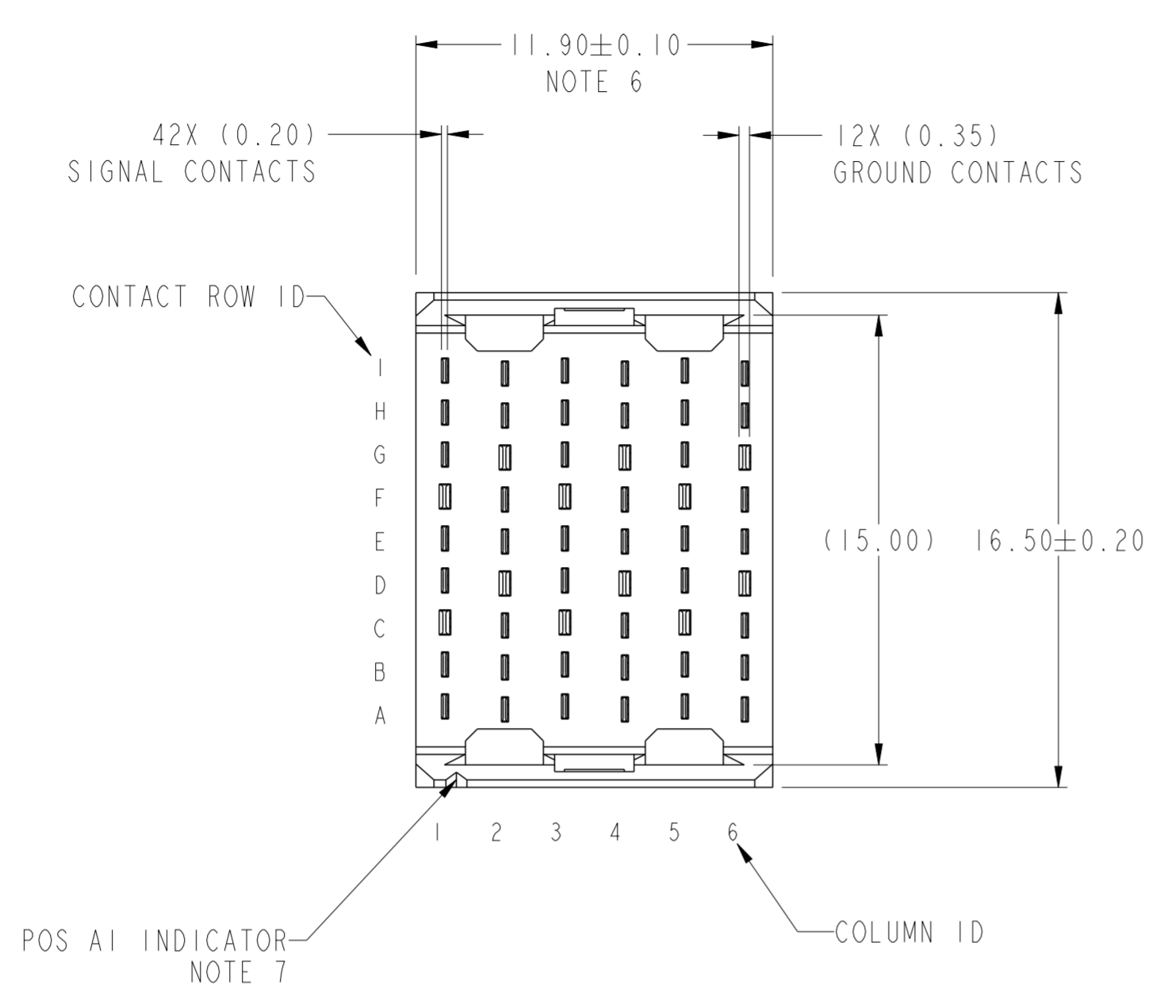


Product number
SEE TABLE, SHT 3

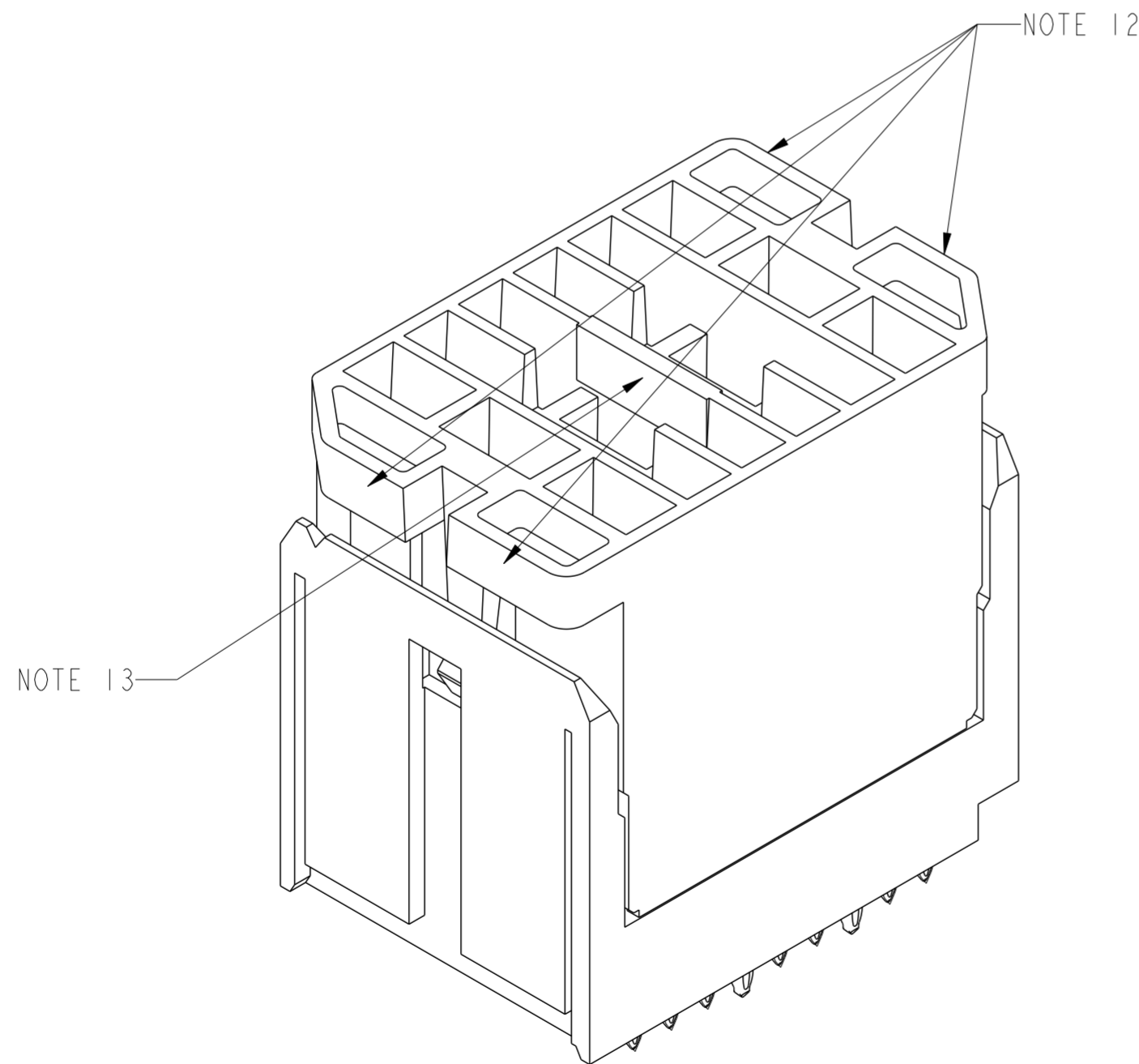
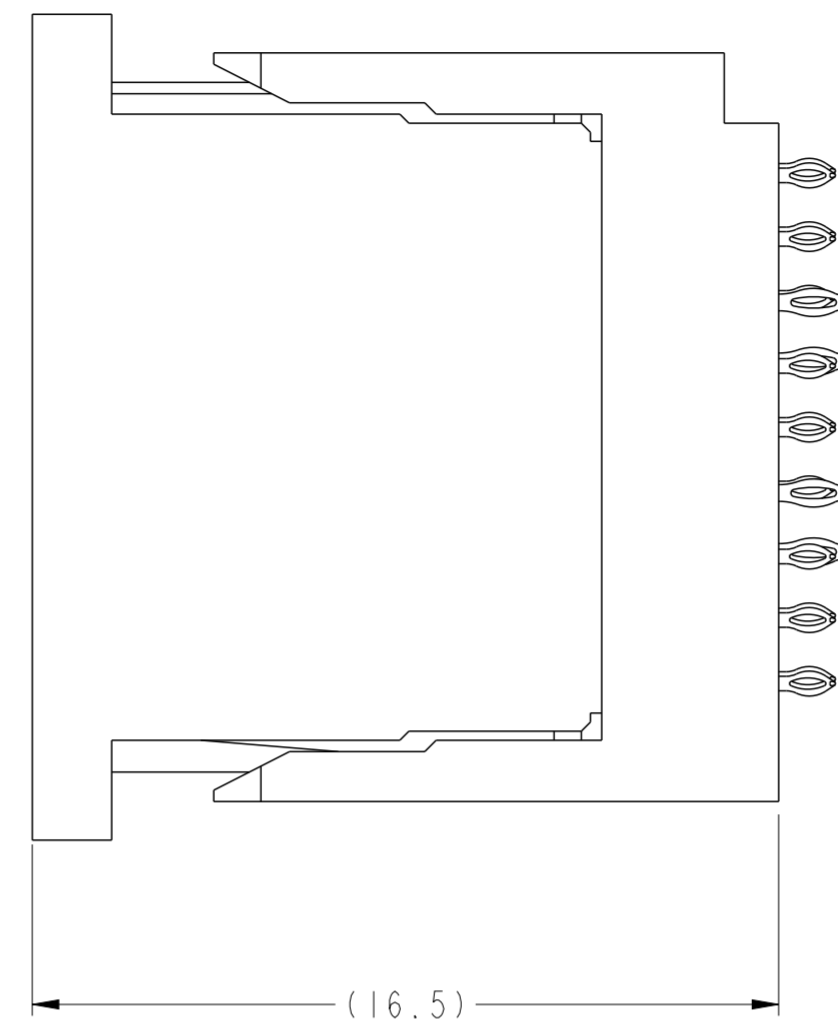
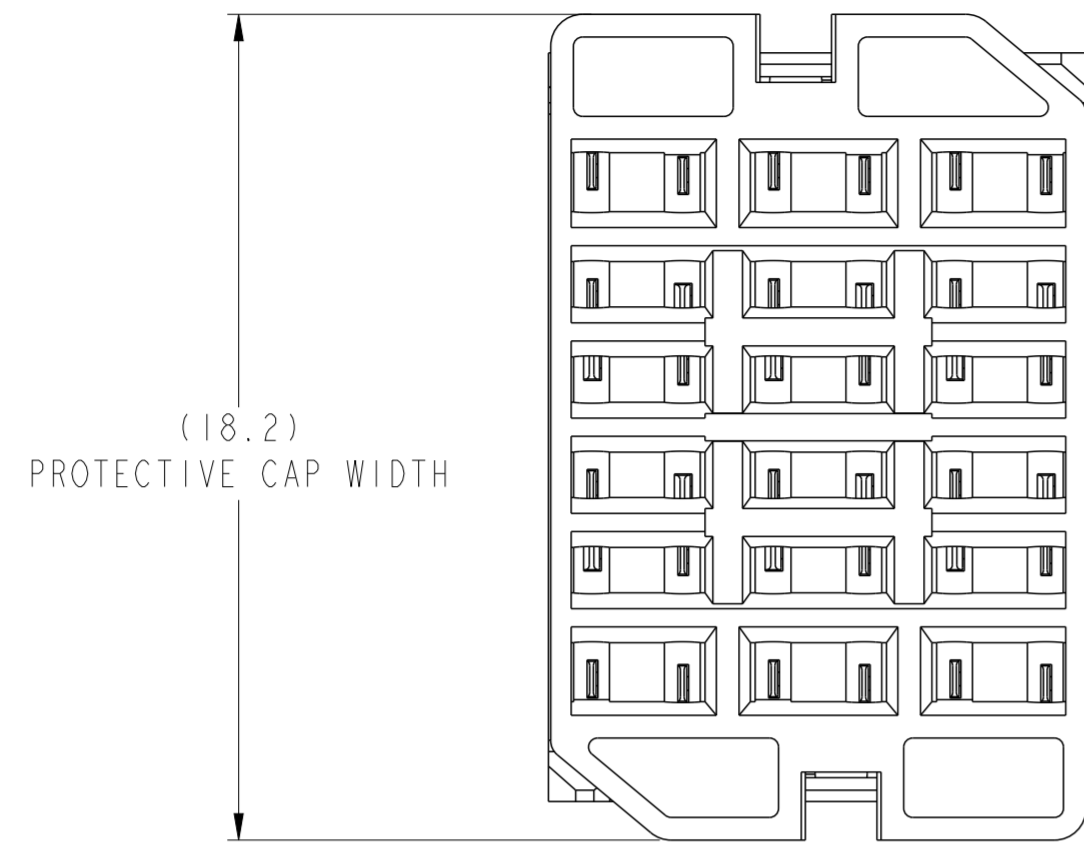


Copyright FCI.
FCI

spec ref	-	dr	Sander Soe	2013/01/31	projection	MM	size	A2	scale	5:1
tolerance std	ASME Y14.5	eng	Tao Zhan	2013/11/14			ecn no	-	rel level	Released
TOLERANCES UNLESS OTHERWISE SPECIFIED		chr	-	product family			AIRMAX VS	rel level	Released	
surface	✓	appr	Pei-Ming Zheng	2013/11/14			title	AIRMAX VSe VERTICAL HEADER	part no	10124261
ASME Y14.5	linear	0.X	±0.3	www.fci.com	cat. no.	-	Product - Customer Drw	sheet 1 of 4	rev	A
	angular	0°	±2°							

1 2 3 4 5 6 7 8

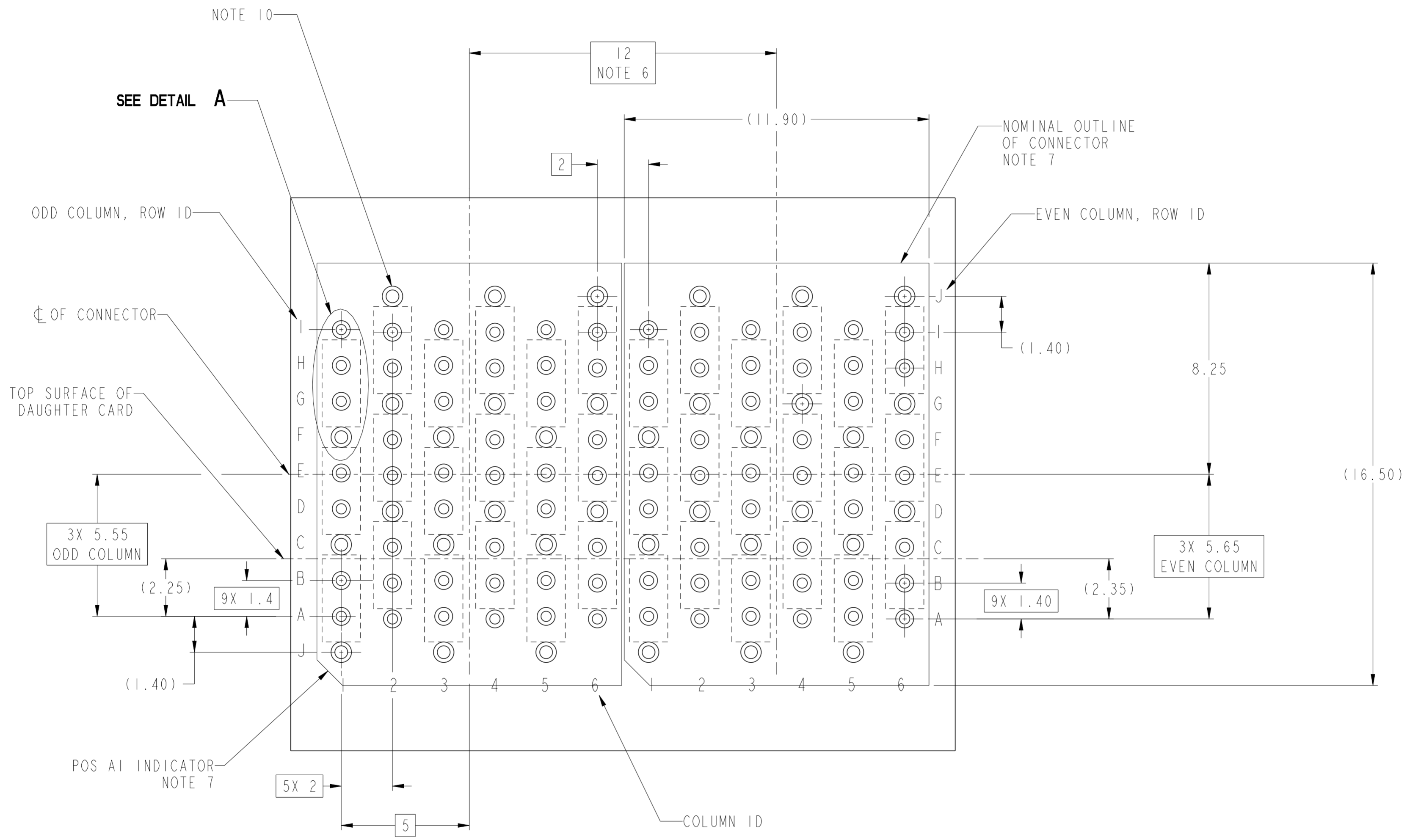
A B C D E F



VIEWS SHOWN WITH
PROTECTIVE COVER INSTALLED

Copyright FCI.
FCI

spec ref	-	dr	Sander Soe	2013/01/31	projection	MM	size	A2	scale	5:1
tolerance std	ASME Y14.5	eng	Tao Zhan	2013/11/14			ecn no	-	rel level	
TOLERANCES UNLESS OTHERWISE SPECIFIED		chr	-	product family			AIRMAX VS	rel level	Released	
surface	✓	appr	Pei-Ming Zheng	2013/11/14			div no	10124261	rev	A
ASME Y14.5	linear	0.X	±0.3	0.XX	±0.10	0.XXX	±0.050	angular	0°	±2°
		www.fci.com	cat. no.	-	Product - Customer Drw	sheet 2 of 4				



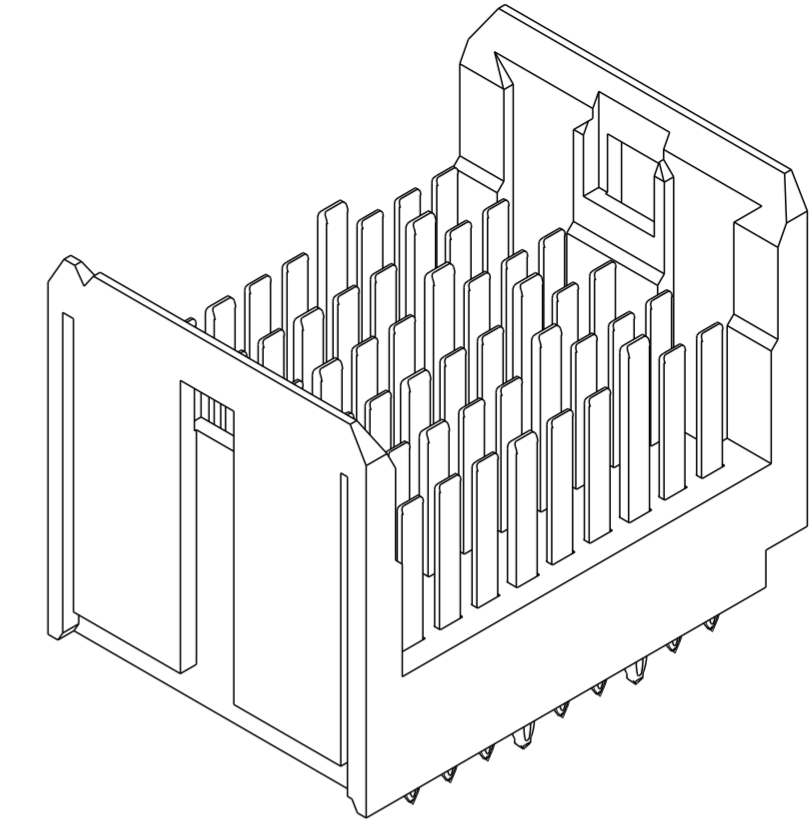
RECOMMENDED PCB LAYOUT
FOR DIFFERENTIAL APPLICATIONS,
COMPONENT SIDE
(TWO ADJACENT FOOTPRINTS SHOWN)
NOTES 6, AND 8

spec ref	-	dr	Sander Soe	2013/01/31	projection	MM	size	A2	scale	3:1				
tolerance std	ASME Y14.5	eng	Tao Zhan	2013/11/14			ecn no	-	rel level	Released				
TOLERANCES UNLESS OTHERWISE SPECIFIED		chr	-	app							Pei-Ming Zheng	2013/11/14	product family	AIRMAX VS
surface	✓	linear	0.X	±0.3								TITLE AIRMAX VSe VERTICAL HEADER SMALL PF, 54 POS, 12 mm, NARROW BODY	DWG NO 10124261	rev A
			0.XX	±0.10	www.fci.com	cat. no.	-	Product - Customer Drw	sheet 3 of 4					
		angular	0°	±2°										

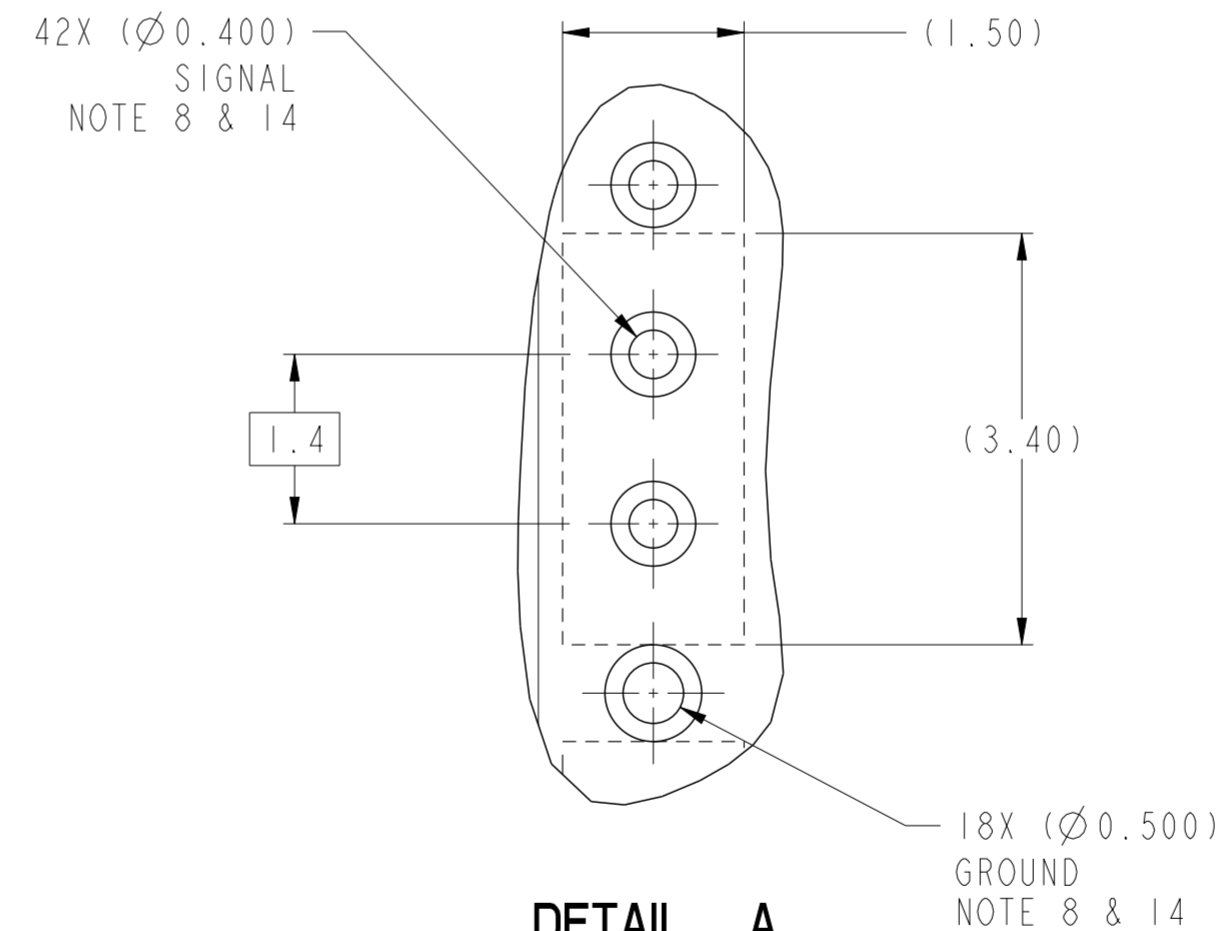
PART NUMBER	PRESS-FIT TAIL PLATING TYPE	PROTECTIVE COVER	LONG GROUND PIN LOCATIONS (5.6MM)
10124261-101LF	TIN OVER NICKEL (LEAD FREE)	YES	F1, F3, F5, G2, G4, G6

NOTES:

- CONNECTOR MATERIALS:
HOUSING: HIGH TEMP THERMOPLASTIC, BLACK, UL94V-0
CONTACT: COPPER ALLOY
- CONTACT PLATING:
SEPARABLE INTERFACE: PERFORMANCE-BASED PLATING, QUALIFIED TO MEET THE REQUIREMENTS OF FCI PRODUCT SPECIFICATION GS-12-239 INCLUDING TELCORDIA GR-1217-CORE (NOVEMBER 1995) CENTRAL OFFICE TEST SEQUENCE
PRESS-FIT TAILS: SEE TABLE
- PRODUCT SPECIFICATION: GS-12-239.
- APPLICATION SPECIFICATION: GS-20-035.
- PRODUCT MARKING, (PROTOTYPE, PART NUMBER & LOT CODE), ON THIS SURFACE.
- THE MINIMUM CENTERLINE SPACING BETWEEN ADJACENT MODULES IS 12.0 mm.
- CONNECTOR OUTLINE WITH HOUSING POS AI INDICATOR MAY BE SCREEN PRINTED ONTO CUSTOMER PCB TO BE USED AS A GUIDE FOR MANUAL CONNECTOR PLACEMENT.
- REFER TO CUSTOMER DRAWING 10104444 FOR INFORMATION ON PCB HOLE DIAMETERS AND PLATING OPTIONS.
- LEAD FREE PRODUCT MEETS EUROPEAN UNION DIRECTIVES AND OTHER COUNTRY REGULATIONS AS DESCRIBED IN GS-22-008.
- THE OUTER VIAS IN COLUMN J ARE OPTIONAL. IF ADDED THESE HOLES PROVIDE GROUND SYMTRY THROUGH THE PCB. NO CONNECTOR EONS WILL BE PRESSED INTO THESE HOLES.
- PACKAGING MEETS GS-14-920 LEAD FREE LABELING SPECIFICATION.
- FOR REMOVAL OF THE PROTECTIVE CAP BY HAND, GRIP USING THESE SURFACES.
- FOR REMOVAL OF THE PROTECTIVE CAP WITH PLIERS, GRIP USING THIS FEATURE.
- GROUND VIAS IN POSITIONS C, F, & J FOR ODD COLUMNS AND POSITIONS D, G, & J FOR EVEN COLUMNS REQUIRE (Ø0.50) FINISHED HOLES. ALL OTHER VIAS REQUIRE (Ø0.40) FINISHED HOLES.
- A \triangle SYMBOL WILL BE NEXT TO ANY DIMENSION, VIEW OR NOTE, WHICH HAS BEEN MODIFIED WITH THE CURRENT DRAWING REVISION.



10124261-101LF (REMOVE THE COVER)



DETAIL A
SCALE 16:1

spec ref	-	dr	Sander Soe	2013/01/31	projection	MM	size	A2	scale	5:1
tolerance std	ASME Y14.5	eng	Tao Zhan	2013/11/14			ecn no	-	rel level	
TOLERANCES UNLESS OTHERWISE SPECIFIED		chr	-	product family			AIRMAX VS	rel level	Released	
surface	✓	appr	Pei-Ming Zheng	2013/11/14			cat. no.	10124261	rev	A
ASME Y14.5	linear	0.X	±0.3	0.XX	±0.10	0.XXX	±0.050	angular	0°	±2°
		www.fci.com		cat. no.		Product - Customer Drw		sheet 4 of 4		

