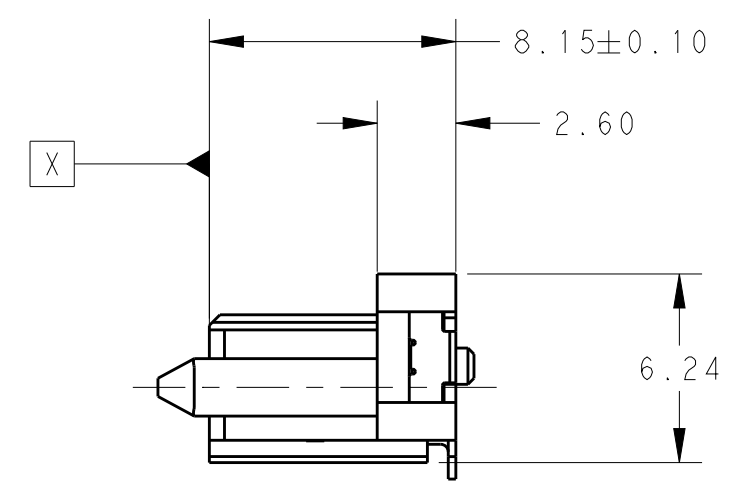
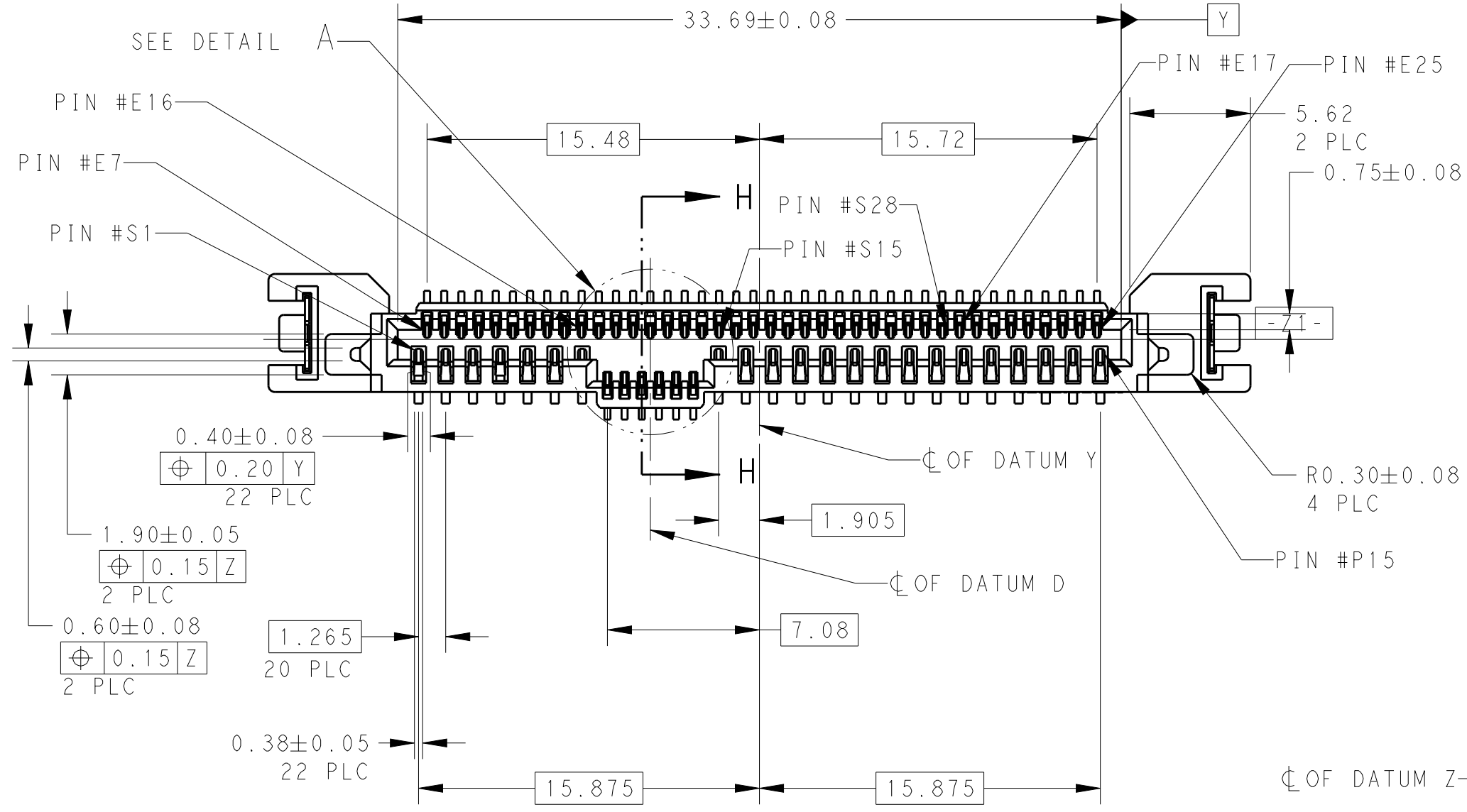
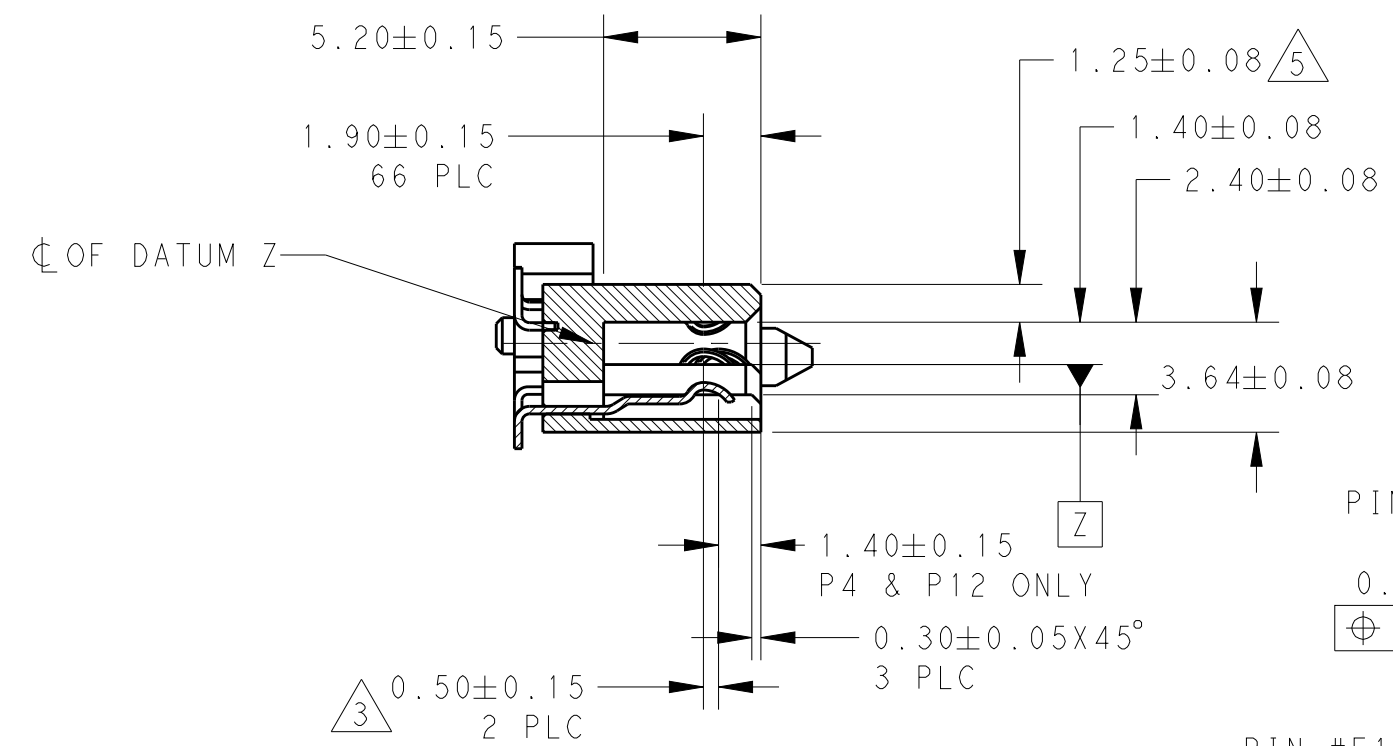


THIS DRAWING IS UNPUBLISHED. RELEASED FOR PUBLICATION 20
 © COPYRIGHT 20 BY - ALL RIGHTS RESERVED.

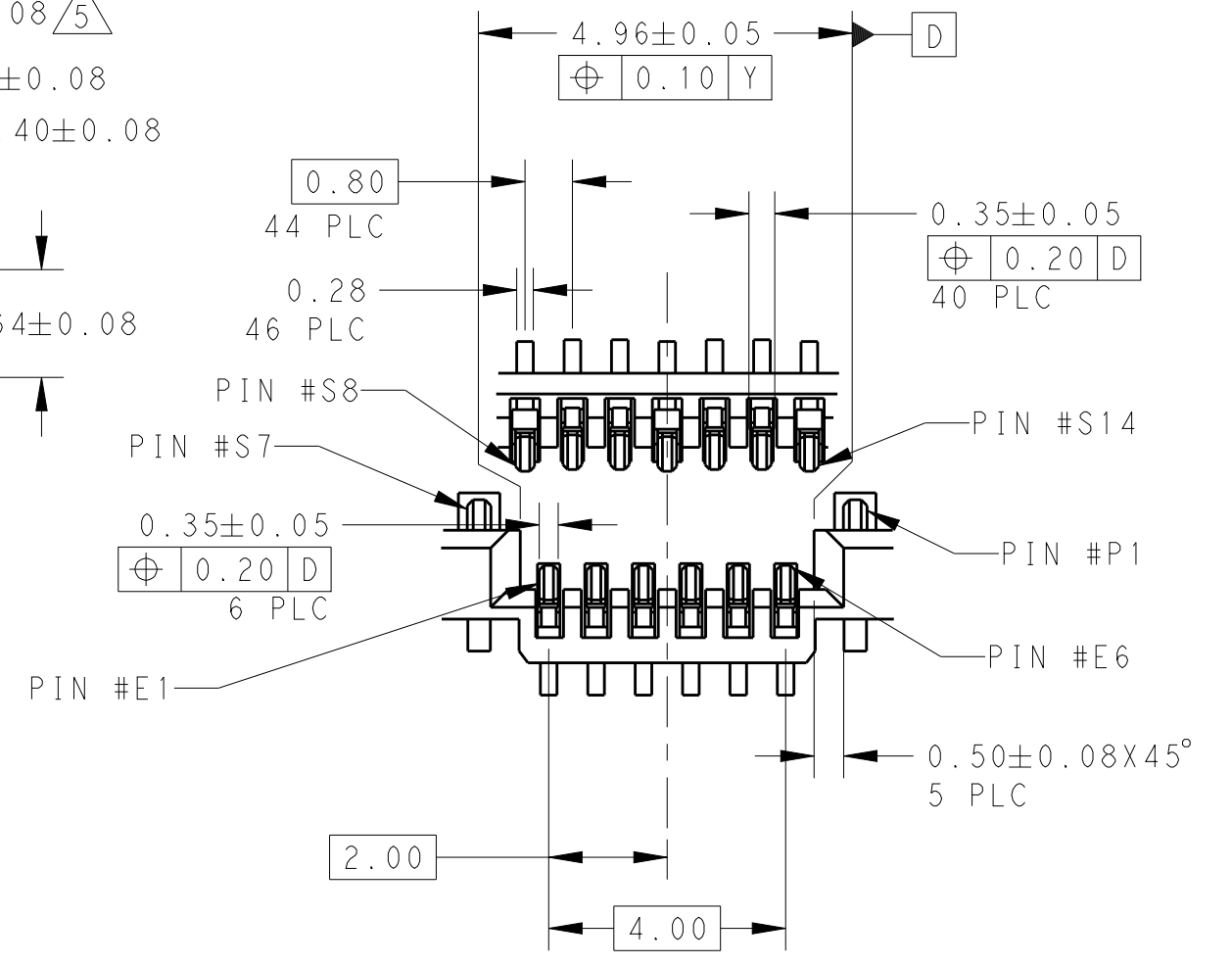
LOC		DIST		REVISIONS			
P	LTR	DESCRIPTION	DATE	DWN	APVD		
	A	RELEASED FOR PRODUCTION	30DEC2015	TX	SH		



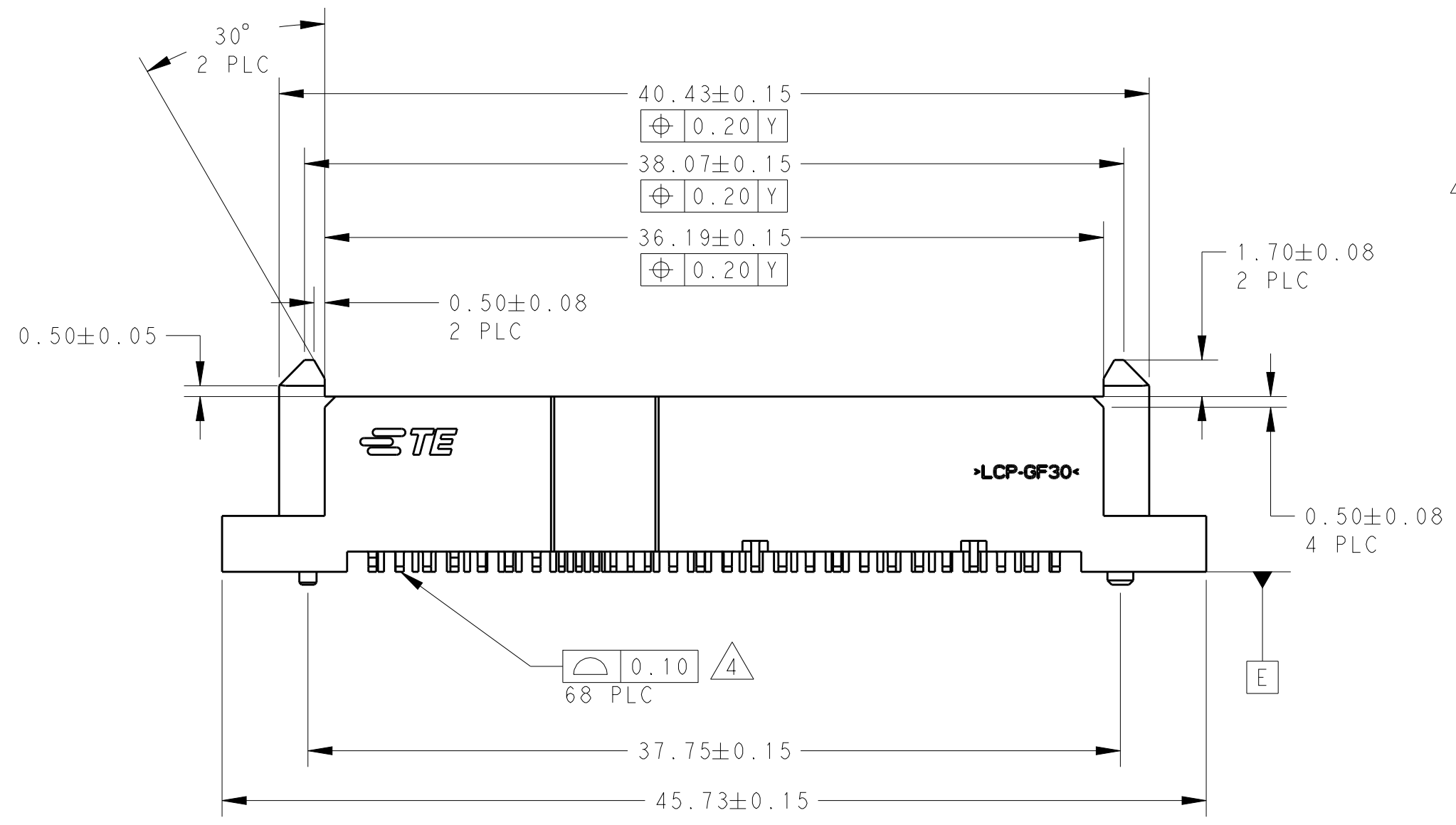
- NOTES:
- 1 MATERIAL:
HOUSING: HIGH TEMP THERMOPLASTIC, UL94V-0,
COLOR:BLACK
CONTACT: COPPER ALLOY
BOARDLOCK: COPPER ALLOY
 - 2 FINISH:
CONTACT AREA:
MIN 0.76µm GOLD PLATING
SOLDERTAIL: MIN 2.54µm MATTE TIN PLATING
UNDERPLATE: MIN 1.27µm NICKEL PLATING
 - 3 PIN #P4 AND #P12 ONLY
 - 4 SOLDERTAIL TO BE 0.05 MAX ABOVE
AND 0.10 MAX BELOW DATUM E
 - 5 1.33 MAX MEASURED AT DATUM C



SECTION H-H
SCALE 4:1



DETAIL A
SCALE 8:1

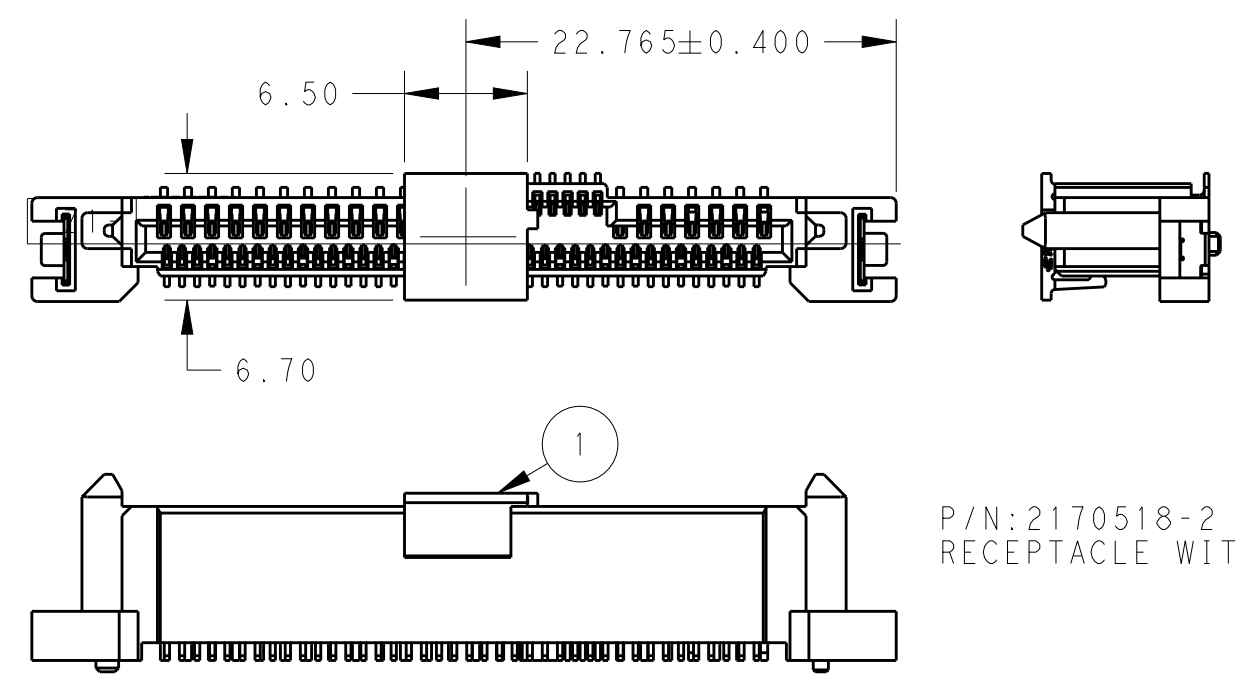


TRAY	YES	2170518-3
TAPE & REEL	YES	2170518-2
TRAY	NO	2170518-1
PACKAGING	PICK-UP CAP (1)	PART NUMBER

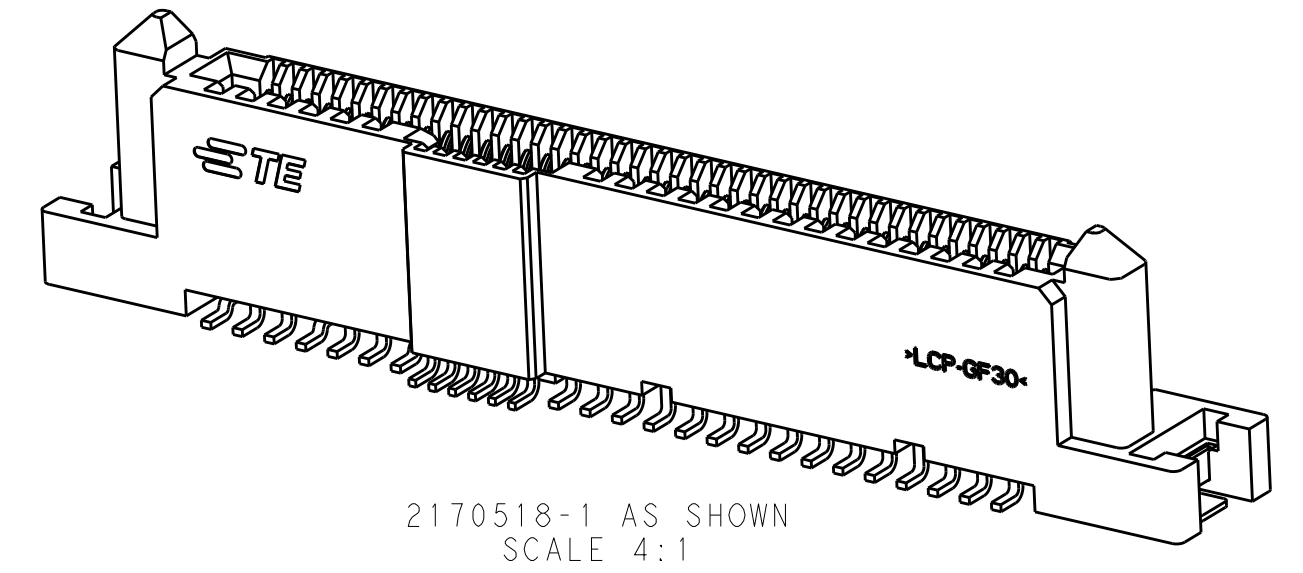
THIS DRAWING IS A CONTROLLED DOCUMENT.		DWN BING LIU 10APR2013	TE Connectivity 12G SAS/PCIE COMBO RECEPTACLE (WITH SMT HOLDDOWNS) 15P+7P+6P+40P	
DIMENSIONS: mm		CHK JASON YANG 10APR2013		
TOLERANCES UNLESS OTHERWISE SPECIFIED:		APVD ALEX CAI 10APR2013	NAME	
0 PLC ±		PRODUCT SPEC	108-51109	
1 PLC ±0.20		APPLICATION SPEC	114-60017	
2 PLC ±0.20		WEIGHT	-	
3 PLC ±0.20		CUSTOMER DRAWING	SCALE 2:1 SHEET 1 OF 2 REV A	
4 PLC ±				
ANGLES ±3°				
FINISH				

THIS DRAWING IS UNPUBLISHED. RELEASED FOR PUBLICATION 20
COPYRIGHT 20 BY - ALL RIGHTS RESERVED.

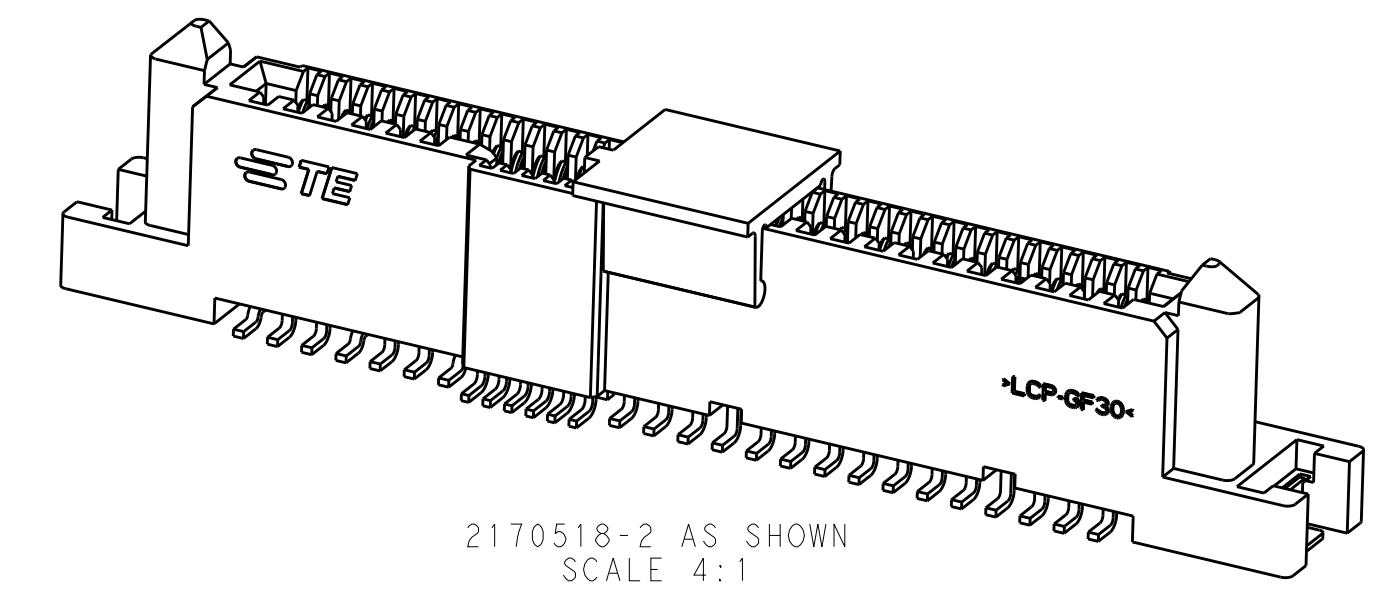
LOC		DIST		REVISIONS			
P	LTR	DESCRIPTION		DATE	DWN	APVD	
-	-	SEE SHEET 1		-	-	-	



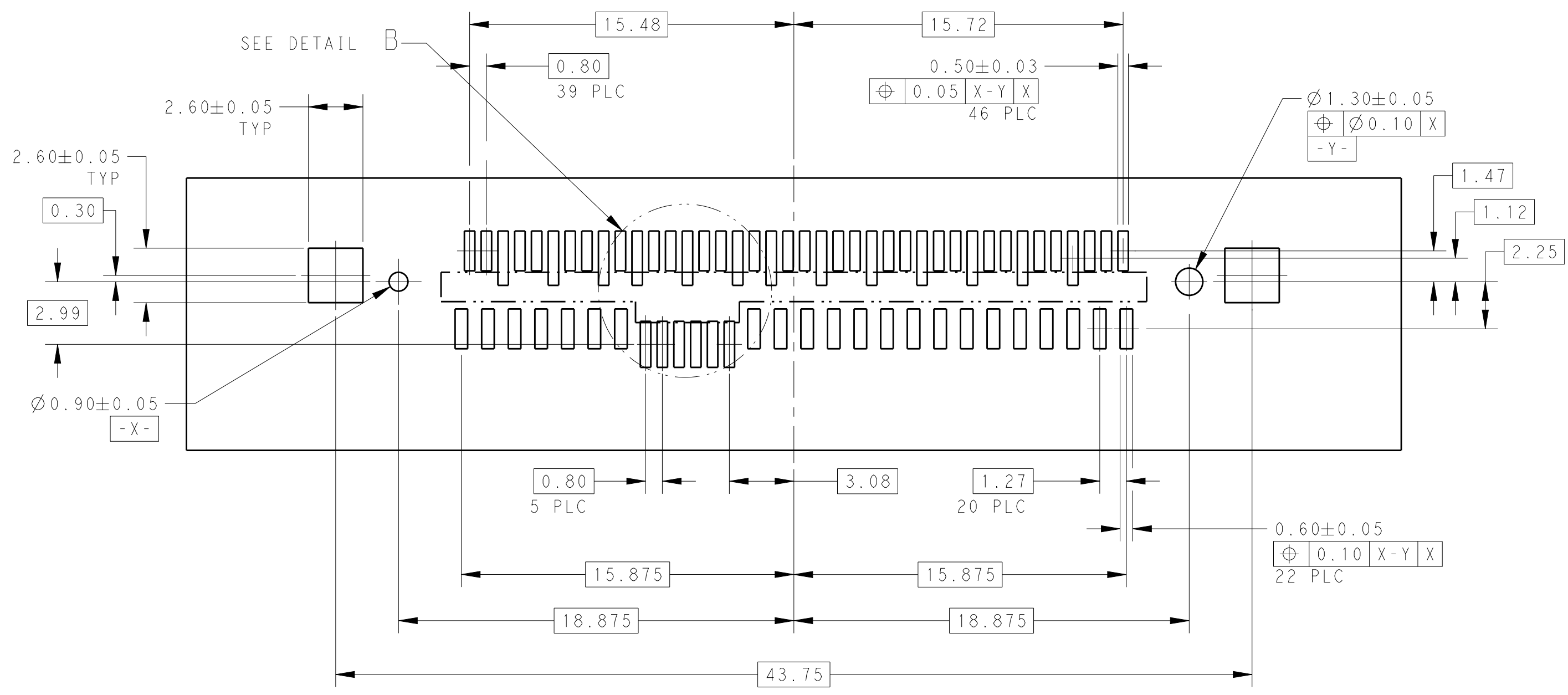
P/N: 2170518-2 AS SHOWN
RECEPTACLE WITH PICK-UP CAP



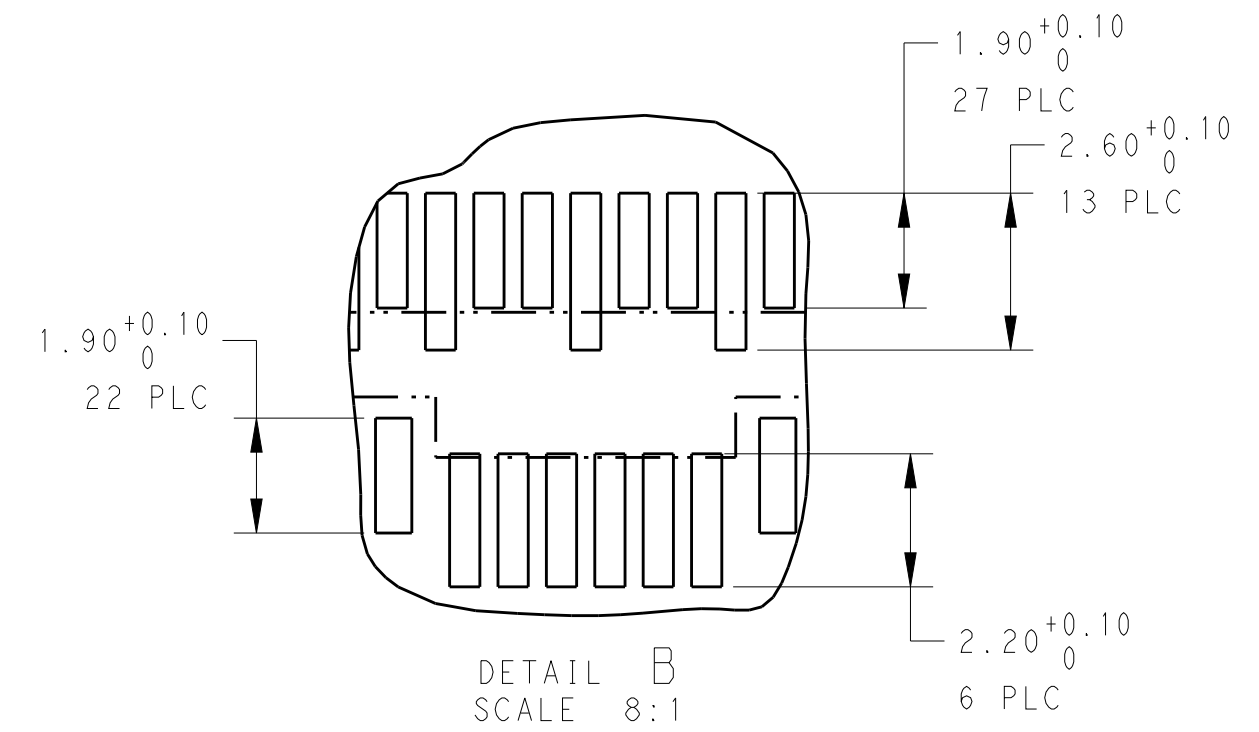
2170518-1 AS SHOWN
SCALE 4:1



2170518-2 AS SHOWN
SCALE 4:1



RECOMMENDED RECEPTACLE BOARD LAYOUT
SCALE 5:1



DETAIL B
SCALE 8:1

THIS DRAWING IS A CONTROLLED DOCUMENT.		DWN BING LIU 10APR2013	STE TE Connectivity	
DIMENSIONS: mm		CHK JASON YANG 10APR2013		
TOLERANCES UNLESS OTHERWISE SPECIFIED:		APVD ALEX CAI 10APR2013	NAME 12G SAS/PCIe COMBO RECEPTACLE (WITH SMT HOLDDOWNS) 15P+7P+6P+40P	
0 PLC ± 1 PLC ±0.20 2 PLC ±0.20 3 PLC ±0.20 4 PLC ± ANGLES ±3° FINISH		PRODUCT SPEC 108-51109 APPLICATION SPEC 114-60017 WEIGHT	SIZE A200779	
MATERIAL material_2		CUSTOMER DRAWING	DRAWING NO C-2170518	
		SCALE 2:1	RESTRICTED TO SHEET 1 OF 2 REV A	