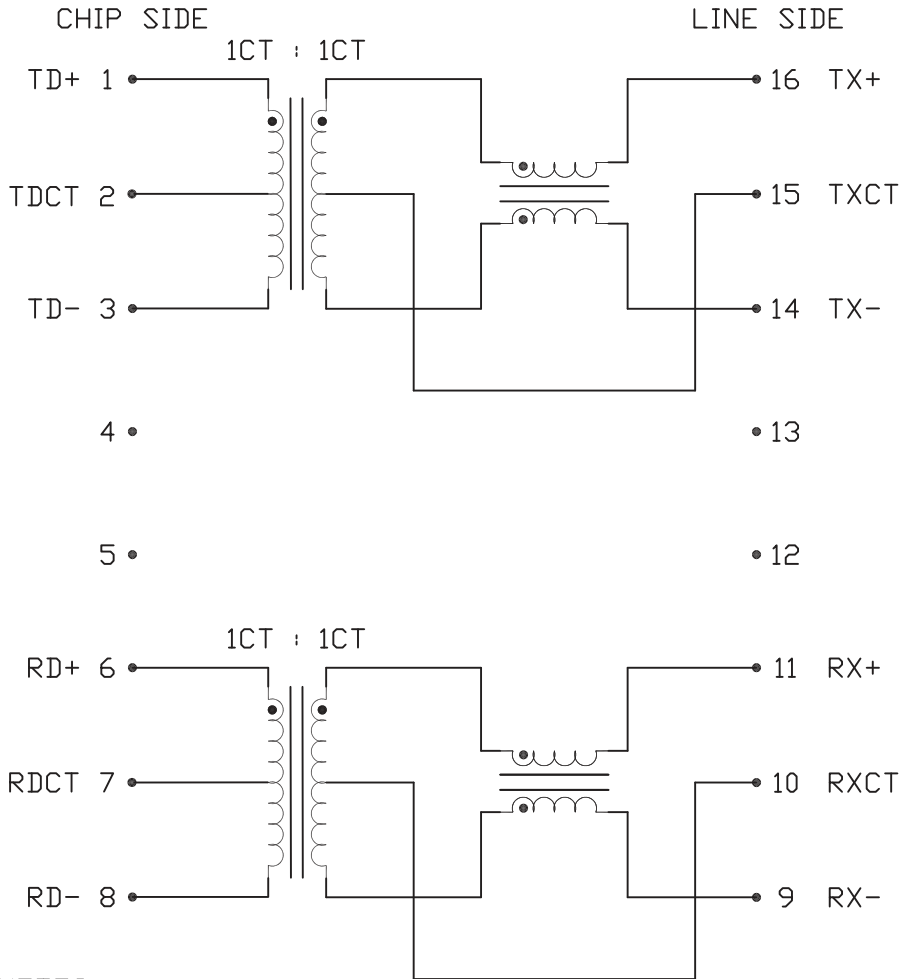


THE INFORMATION CONTAINED HEREIN IS CONSIDERED "PROPRIETARY" TO BEL FUSE INC. AND SHALL NOT BE COPIED, REPRODUCED OR DISCLOSED WITHOUT THE WRITTEN APPROVAL OF BEL FUSE INC.

ELECTRICAL CHARACTERISTICS @25°C



SCHEMATIC



<p>URNS RATIO</p> <p>1-2-3 : 16-15-14</p> <p>6-7-8 : 11-10-9</p> <p>POLARITY</p> <p>□CL</p> <p>Tx PIN 1-3</p> <p>Rx PIN 6-8</p> <p>LEAKAGE INDUCTANCE, L_e</p> <p>CHIP SIDE WITH LINE SIDE SHORT</p> <p>INTERWINDING CAPACITANCE, C_w/w</p> <p>CHIP SIDE TO LINE SIDE</p> <p>DC RESISTANCE</p> <p>PIN (1-3) = (6-8)</p> <p>INSERTION LOSS</p> <p>300kHz - 80MHz</p> <p>RETURN LOSS</p> <p>300kHz - 30MHz</p> <p>30MHz - 60MHz</p> <p>60MHz - 80MHz</p> <p>COMMON TO COMMON MODE REJ</p> <p>300kHz - 100MHz</p> <p>COMMON TO DIFFERENTIAL MODE REJ</p> <p>300kHz - 100MHz</p> <p>CROSSTALK</p> <p>300kHz - 100MHz</p> <p>HIPOT</p> <p>OPERATING TEMPERATURE -40°C TO +85°C</p>	<p>1CT : 1CT</p> <p>1CT : 1CT</p> <p>PER DOT CONVENTION</p> <p>350μH MIN</p> <p>@100kHz, 100mVrms</p> <p>w/8mA DC BIAS</p> <p>0.3μH MAX</p> <p>@1MHz, 20mVrms</p> <p>30pF MAX</p> <p>@1MHz, 20mVrms</p> <p>1.10hm MAX</p> <p>1.0dB MAX</p> <p>18dB MIN</p> <p>18-20LOG(F/30MHz) dB MIN</p> <p>12dB MIN</p> <p>40dB TYP</p> <p>40dB MIN</p> <p>40dB MIN</p> <p>1500Vrms</p>
---	--

NOTES :

THIS PRODUCT HAS BEEN SUPPLYING TO JAPAN CUSTOMERS. PCN PROCESS NEEDS TO COMPLY WITH 4M CRITERIA.

REV. : F PAGE : 2

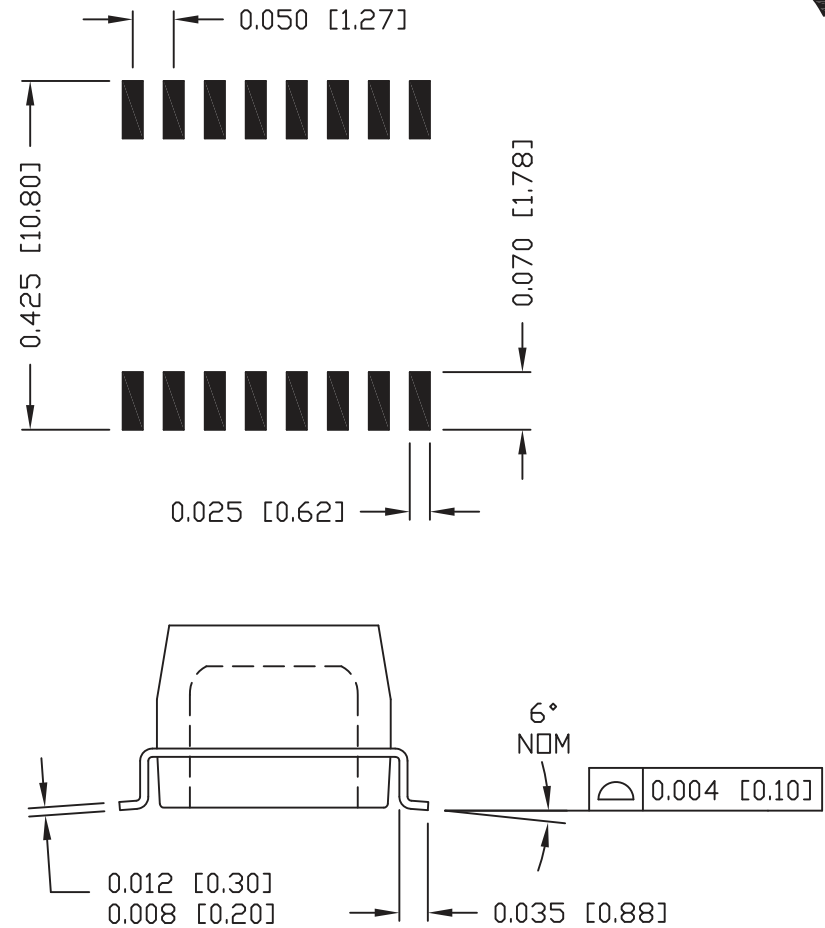
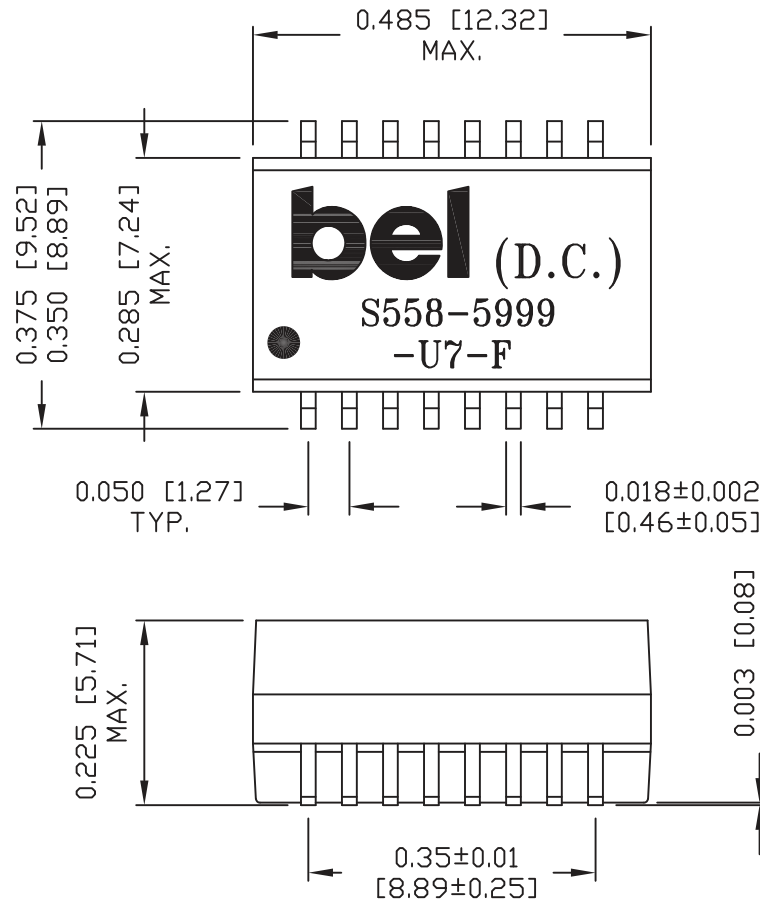
ORIGINATED BY	DATE	TITLE	PART NO. / DRAWING NO.	STANDARD DIM.	[] METRIC DIM. AS REF.	<p>POWER PROTECT CONNECT</p>
Alice Pang	2015-07-16	10/100BT MAGNETICS MODDLE S558-5999-U7-F	X5585999U7-F	TOL. IN INCH	UNIT : INCH [mm]	
DRAWN BY	DATE		FILE NAME	.X	SCALE : N/A	
ZC Guo	2015-07-16		X5585999U7FF.DWG	.XX	SIZE : A4	
				.XXX		

THE INFORMATION CONTAINED HEREIN IS CONSIDERED 'PROPRIETARY' TO BEL FUSE INC. AND SHALL NOT BE COPIED, REPRODUCED OR DISCLOSED WITHOUT THE WRITTEN APPROVAL OF BEL FUSE INC.

RoHS



SUGGESTED PCB PAD LAYOUT



NOTES :

1. STANDARD MARKING REFER TO DOC. HAND-WORK-04.
2. PACKAGE CODE: "QBS001".
3. THIS PRODUCT HAS BEEN SUPPLYING TO JAPAN CUSTOMERS. PCN PROCESS NEEDS TO COMPLY WITH 4M CRITERIA.

REV. : F	PAGE : 3		
		STANDARD DIM. [] METRIC DIM. AS REF.	
		TOL. IN INCH	
.X		UNIT : INCH [mm]	
.XX	±0.01	SCALE : N/A	
.XXX	±0.005	SIZE : A4	

ORIGINATED BY	DATE	TITLE	PART NO. / DRAWING NO.	STANDARD DIM.		[] METRIC DIM. AS REF.		
Lawrence Tsang	2015-07-16	MECHANICAL DRAWING S558-5999-U7-F	X5585999U7-F	TOL. IN INCH		UNIT : INCH [mm]		
DRAWN BY	DATE		FILE NAME	.X			SCALE : N/A	
ZC Guo	2015-07-16		X5585999U7FF.DWG	.XX	±0.01		SIZE : A4	
				.XXX	±0.005			