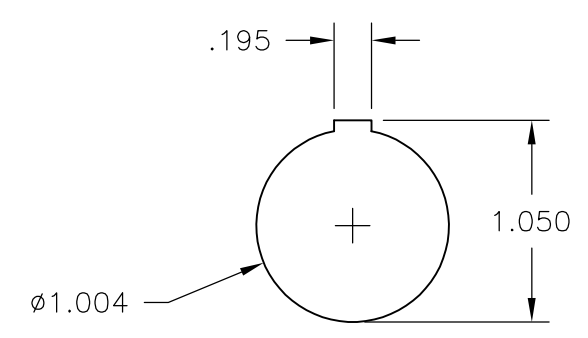
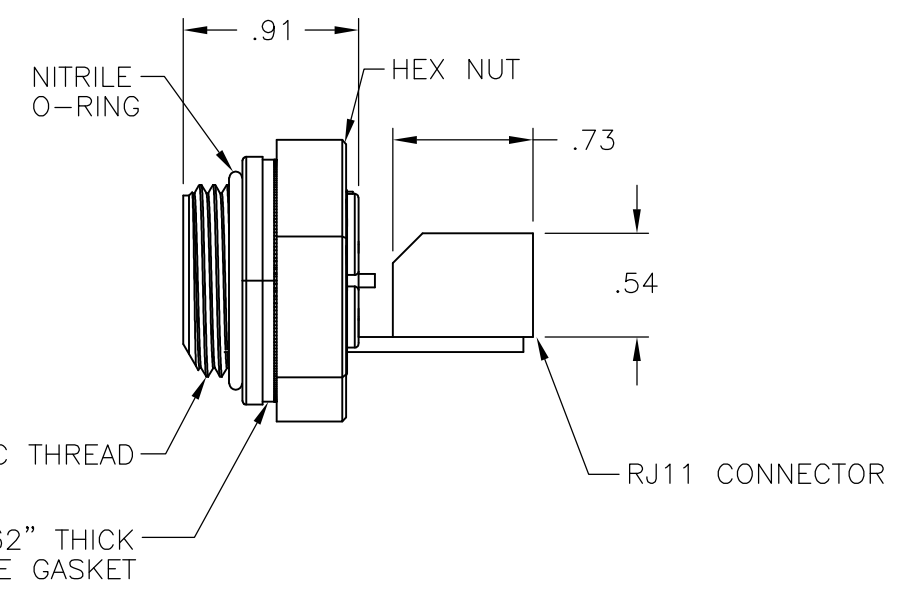
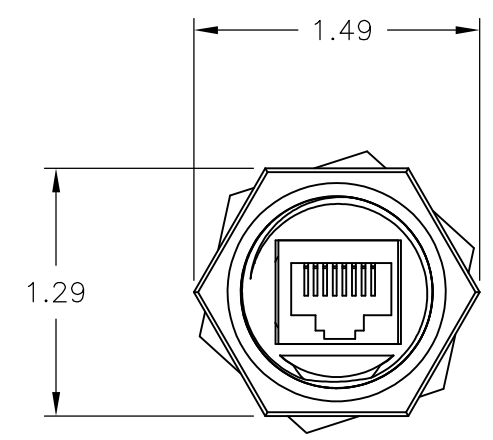
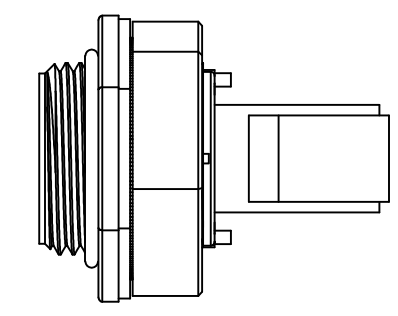


THIS DRAWING IS UNPUBLISHED. RELEASED FOR PUBLICATION
 © COPYRIGHT - By - ALL RIGHTS RESERVED.

LOC	DIST	REVISIONS			
P	LTR	DESCRIPTION	DATE	DWN	APVD
FT	0	C1	REVISED PER ECO-11-004820	11MAR11	RK HMR



BACKEND DIMS.
OF RECEPTACLE



	1-1546415-1
SUPERSEDED	1546415-1
	PART NO.

THIS DRAWING IS A CONTROLLED DOCUMENT.		DWN	S SCHLEGEL	09OCT2002	TE Connectivity NAME RJ-11 BULKHEAD PASS THROUGH WITH BACKSIDE JACK		RESTRICTED TO															
DIMENSIONS: INCHES		CHK	H WAKEEM	10/9/02			SIZE	CAGE CODE	DRAWING NO	-												
TOLERANCES UNLESS OTHERWISE SPECIFIED:		APVD	H WAKEEM	10/9/02			A3	00779	C-1546415													
<table border="1"> <tr><td>0 PLC</td><td>± -</td></tr> <tr><td>1 PLC</td><td>± -</td></tr> <tr><td>2 PLC</td><td>± .02</td></tr> <tr><td>3 PLC</td><td>± .005</td></tr> <tr><td>4 PLC</td><td>± -</td></tr> <tr><td>ANGLES</td><td>± 2'</td></tr> </table>		0 PLC	± -	1 PLC			± -	2 PLC	± .02	3 PLC	± .005	4 PLC	± -	ANGLES	± 2'	PRODUCT SPEC	-		SCALE	NTS	SHEET	1 OF 1
0 PLC	± -																					
1 PLC	± -																					
2 PLC	± .02																					
3 PLC	± .005																					
4 PLC	± -																					
ANGLES	± 2'																					
MATERIAL		FINISH		WEIGHT		CUSTOMER DRAWING		-														