

**NOTES:**

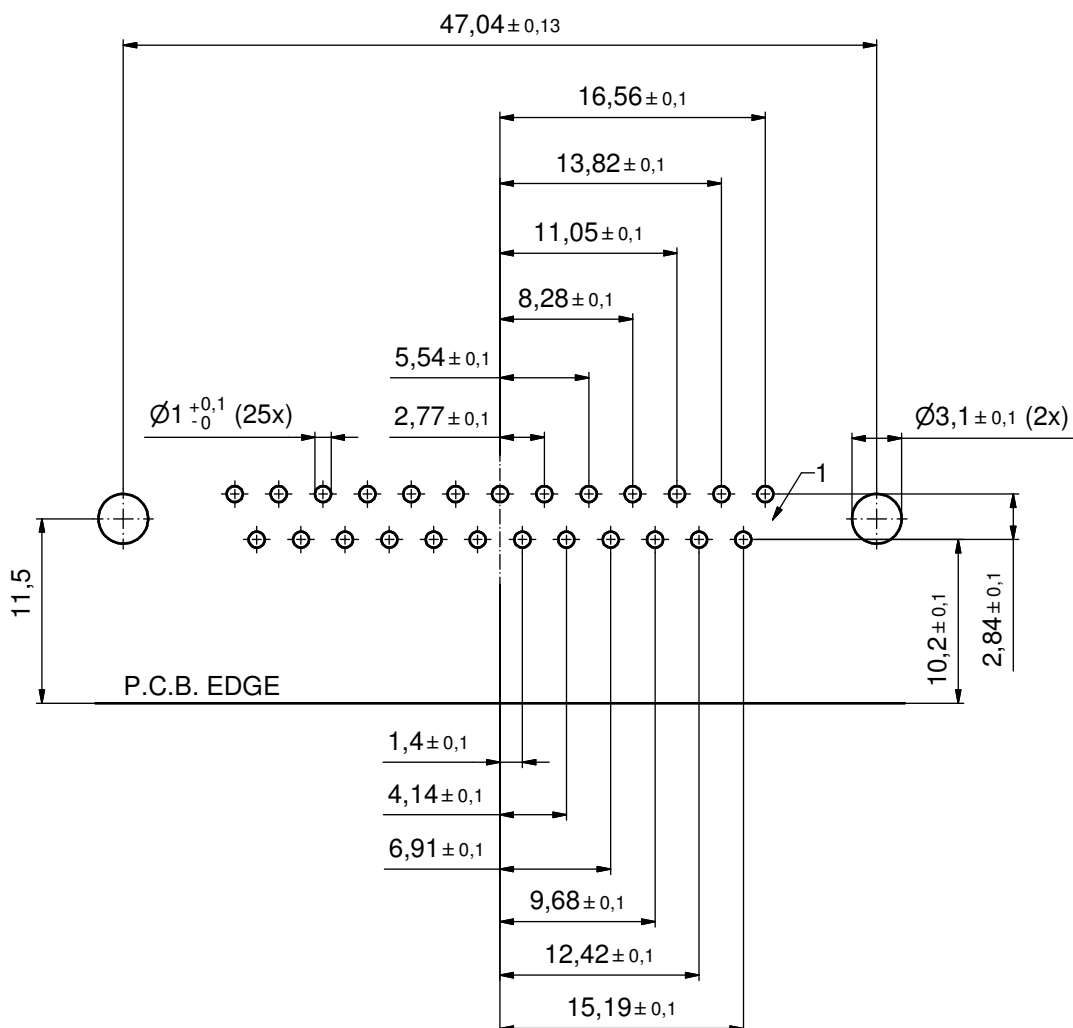
1. RoHS COMPLIANT
2. SUITABLE FOR REFLOW SOLDERING (SOLDER BATH TEMPERATURE 260°C FOR 5 SEC AND SOLDER PREHEAT 100°C FOR 30 SEC.)
3. METALSHELLS: STEEL; min. 315µm TIN over 40-80µm NICKEL
4. INSULATORS: HIGH TEMPERATURE PLASTIC UL 94 V-0, BLACK
5. CONTACTS: COPPER ALLOY; PLATING (SEE PART.):
  - PLEASE ADD A for GOLD FLASH over NICKEL (PREFERRED TYPE)
  - PLEASE ADD B for 20µm HARD GOLD over min. 50µm NICKEL
  - PLEASE ADD C for 30µm HARD GOLD over min. 50µm NICKEL
6. MOUNTING BRACKET: HIGH TEMPERATURE PLASTIC UL 94 V-0; BLACK
7. THREADED INSERTS: COPPER ALLOY; min. 200µm TIN over 80µm NICKEL
8. GROUNDING BRACKETS: COPPER ALLOY; TIN PLATED
9. CAPACITANCE: 830pF±20%
10. DIELECTRIC WITHSTANDING VOLTAGE: 424 VDC
11. P.B.C. HOLE DRILLINGS ON SHEET 2
12. MAXIMUM TORQUE VALUE FOR THREAD: 6 in.LB
13. CONNECTOR IS PART MARKED: 242□11190X CONEC ABC

Directive 2002/95/EC RoHS compliant

THIS DRAWING MAY NOT BE COPIED OR REPRODUCED IN ANY WAY, AND MAY NOT BE PASSED ON TO A THIRD PARTY WITHOUT WRITTEN PERMISSION. OWNERSHIP AND COPYRIGHT OF CONEC GmbH DO NOT ALTER CAD DRAWING BY HAND				tolerance		scale: 2:1 (5:1)
				date	name	material: SEE NOTES
				drawn	04.02.13	Schwenkler
				appd.	04.02.13	Lehmenkühler
				norm		
			d-old	24K1A951		title: D-SUB FILTER FEMALE 90° 25pos. SOLDER PIN ANGLED 0.370inch with threaded insert, mounting bracket, grounding bracket
5 x b	A4636	04.02.2013	K.H.	<b>CONEC</b>		dwg no: 24K1A1426 (b)
a	Original					DIN-A3 sh: 1/2
rev.	description	date	name			part no: (b) 242□11190X (see note 5)

# P.C.B. HOLE DRILLINGS

(P.C.B. TOP SIDE)



THIS DRAWING MAY NOT BE COPIED OR REPRODUCED IN ANY WAY, AND MAY NOT BE PASSED ON TO A THIRD PARTY WITHOUT WRITTEN PERMISSION. OWNERSHIP AND COPYRIGHT OF CONEC GmbH DO NOT ALTER CAD DRAWING BY HAND				tolerance	 dim. in mm	scale: 3:1
				date	name	title: <b>P.C.B. HOLE DRILLINGS</b> D-SUB FILTER FEMALE 90°, 25pos. 0.370inch with threaded insert, mounting brackct, grounding clip
				drawn	04.02.13   Schwenkler	
				appd.	04.02.13   Lehmenkühler	
				norm		dwg no:
			d-old	24K1A951	24K1A1426	DIN-A3
	a	Original				sh: 2/2
	rev.	description	date	name	<b>CONEC</b> ®	part no: SEE SHEET 1