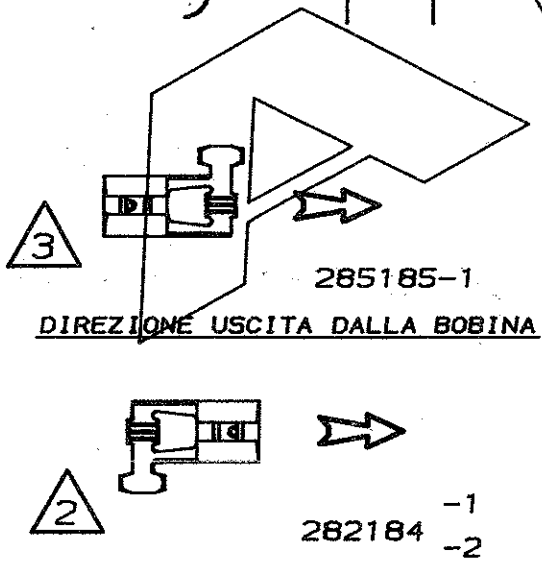
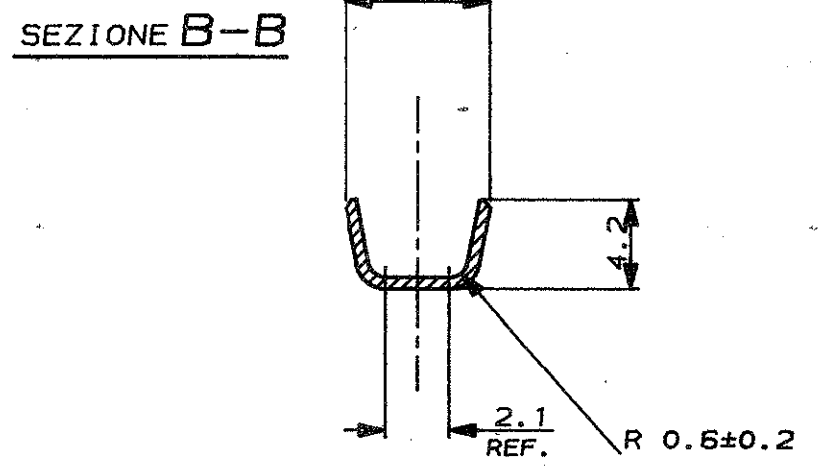
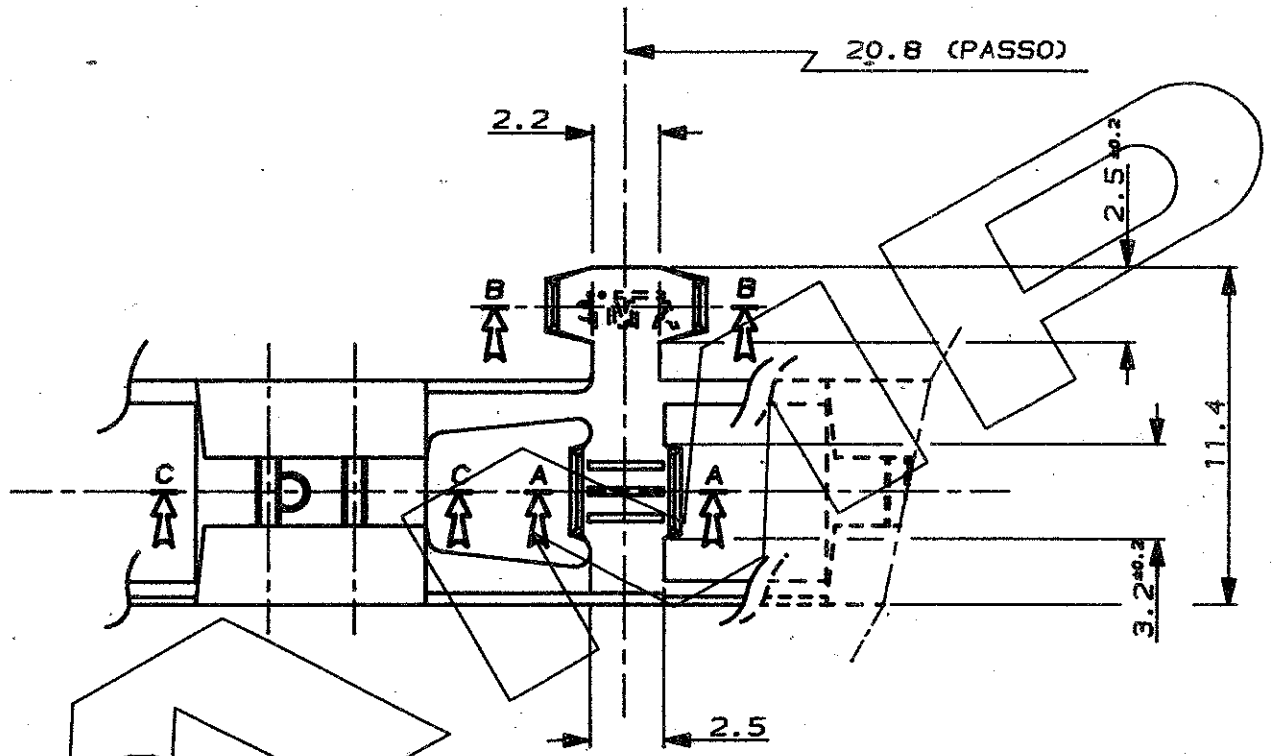
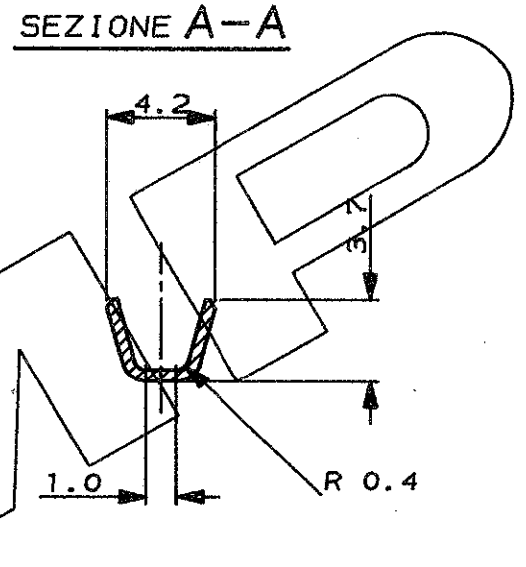
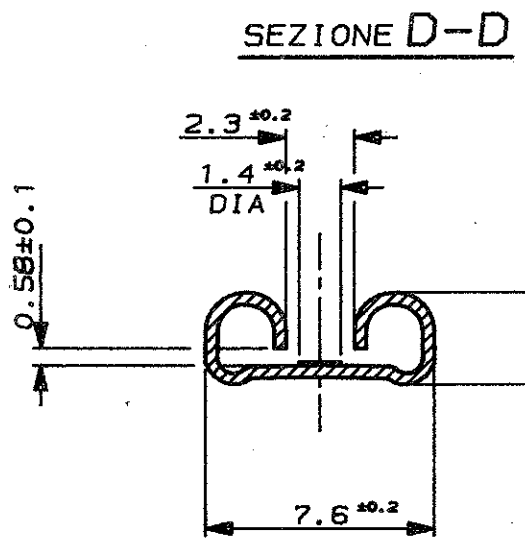
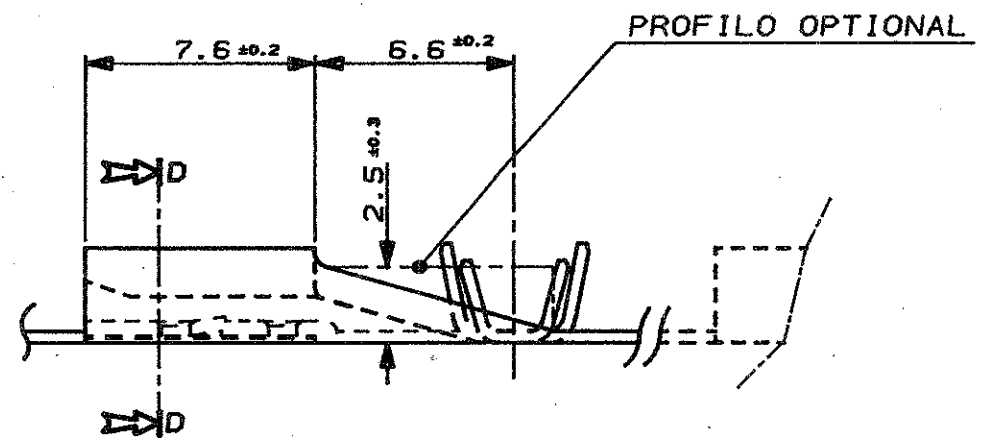


A
B
C
D
E



(WIRE) SEZ. FILO mm ²	(INS. DIA. STD) Ø ISOL. STD	(INS. DIA. REDUCED) Ø IS. RID. FASE 3
1.0	---	1.9-2.1
1.5	---	2.2-2.4
2.5	---	2.7-3.0

4	3	STAGNATO	OTTONE	282185-1
4	2		BR. FOSFOROSO	282184-2
2	2	STAGNATO	OTTONE	282184-1
		FINITURA / COLORE (FINISH / COLOUR)	MATERIALE (MATERIAL)	NUMERO (PART NUMBER)

CUSTOMER DWG. FOR REFERENCE ONLY DISEGNO PER CLIENTE SOLO PER RIFERIMENTO

THIS DRAWING IS UNPUBLISHED RELEASE FOR PUBLICATION 19
 © COPYRIGHT 19 BY AMP INCORPORATED, HARRISBURG, PA. ALL INTERNATIONAL RIGHT RESERVED. AMP PRODUCTS MAY BE COVERED BY U.S. AND FOREIGN PATENT AND/OR PATENT PENDING

TOLLERANZE, SE NON DIVERSAMENTE SPECIFICATO (TOLERANCES, UNLESS OTHERWISE SPECIFIED)	DIAM. ISOLANTE (INS. DIA. RANGED) 1.9-3.0 DIA	RANGO FILO (WIRE RANGED) 1-2.5mm ²	SCALA (SCALE) 4:1
± 0.3	ANGOLI (ANGLES) ± 2°		AMP AMP ITALIA S.p.A. Corso F.lli Cervi, 15 COLLENO (TORINO)

DIS. 3 OCT. 90 (DR.) VERGANO P. DESCRIZIONE (DESCRIPTION) .250 SRS.FLAG FASTON REC. CONTACT

REV.	REVISIONI (REVISION RECORD)	DIS. DATA (DR)
D	OBSOLETE P/Ns FOR ET00-0301-99	2000
A	IN PRODUZIONE (ECN I-2819)	91

LOC. I	SIZE A3	NUMERO (CONS NO) C-282184	(MASTER DWG.)	REV. D	FOLGIO (SHEET) 1 DI 1 (OF)
--------	---------	---------------------------	---------------	--------	----------------------------

1
2
3
4
OBSOLETE

DISTRIBUZIONE (PRINT DIST.)