

GloTek, Inc. www.globtek.com 186 Veterans Drive, Northvale, NJ 07647 Tel. (201) 784-1000 Fax (201) 784-0111	Drawing Title: GT-21089-1509-T3, ICT/ITE Power Supply, Efficiency Level: N/A, Case Color/Style: , Desktop/External, Regulated Switchmode AC-DC Power Supply AC Adaptor, Input Rating: 100-240V~, 50-60 Hz, IEC 60320/C14 , Output Rating: 15W, 9.0V@1.7A, Output Configuration: 1830 mm, 18/2 Cond, SPT-1, SWITCHCRAFT # 850, TIP POSITIVE, OR MOLDED EQUIVALENT MALE PLUG 2.5 x 12 mm, TIP +, Ferrite: None, GlobTek Black, GT Cord # C52394, Pin Out: Tip Positive (+V), Blades/Input Cord: Not Applicable, Approvals: EAC; Morocco; PSE; India BIS 3V,5V,6V,9V,12V,15V,18V,24V,48V; UKCA; CB 62368; CE; VCCI; WEEE; Class I; PSE; Ukraine; RoHS; China RoHS; Korea (4V, 5V Only); Korea (12V Only); Korea (3V, 6V, 9V Only); LPS ( 24V only); CB 60950; IP40; cULus ( 3.3-24V); CCC;Malaysia; PSE; IRAM;	
	Model No. GT-21089-1509-T3	
	Part No./Ordering No. TR9CD1700STP-Y-PSE(R)	Rev F

In Addition to GlobTek Inc.'s renewed ISO9001:2015 - Quality Management System Certification, GlobTek Inc. is now certified to:

ISO13485:2016 - Medical Devices Quality Management System Certification

ISO14001:2015 - Environmental Management System Certification

ISO Certificates are available online at <https://www.globtek.com/iso-certificates/>

The acceptance of this specification and use of the product described in this document indicates the acceptance and binding of the customer to Globtek TERMS AND CONDITIONS (attached to the end of this document), which supersede all other agreements, terms, and conditions (<https://en.globtek.com/terms-and-conditions/>).

The purchaser of this product (Customer) agrees that it is their sole responsibility to determine suitability/fitness of the product described in this specification for their application and to take precautions for protection against any hazards attendant to the handling and use of the product.

Footnote:

GlobTek Inc. will not be liable for the safety and performance of these power supplies/battery packs if unauthorized access and repair occurs. End user should consult applicable UL, CSA or EN standards for proper installation instruction.

Limitation of Use:

GlobTek products are intended for use with commercial, medical, and/or industrial equipment only. GlobTek product are not authorized for use as mission critical components in life support hazardous environment, nuclear or aircraft applications without prior written approval from the CEO of GlobTek Inc.

Contents of this document are subject to change without prior notice.

### Customer Approval of Specification:

Please approve, sign and send back to GlobTek so we can complete order processing.

A delay in receipt of this form will delay delivery schedule.

Company Name: _____	Customer P/N: _____
Quote Number: _____	Date: _____
Authorized Representative Name: _____	Authorized Representative Signature: _____

GlobTek, Inc. www.globtek.com 186 Veterans Drive, Northvale, NJ 07647 Tel. (201) 784-1000 Fax (201) 784-0111	Drawing Title: GT-21089-1509-T3, ICT/ITE Power Supply, Efficiency Level: N/A, Case Color/Style: , Desktop/External, Regulated Switchmode AC-DC Power Supply AC Adaptor, Input Rating: 100-240V~, 50-60 Hz, IEC 60320/C14 , Output Rating: 15W, 9.0V@1.7A, Output Configuration: 1830 mm, 18/2 Cond, SPT-1, SWITCHCRAFT # 850, TIP POSITIVE, OR MOLDED EQUIVALENT MALE PLUG 2.5 x 12 mm, TIP +, Ferrite: None, GlobTek Black, GT Cord # C52394, Pin Out: Tip Positive (+V), Blades/Input Cord: Not Applicable, Approvals: EAC; Morocco; PSE; India BIS 3V,5V,6V,9V,12V,15V,18V,24V,48V; UKCA; CB 62368; CE; VCCI; WEEE; Class I; PSE; Ukraine; RoHS; China RoHS; Korea (4V, 5V Only); Korea (12V Only); Korea (3V, 6V, 9V Only); LPS ( 24V only); CB 60950; IP40; cULus ( 3.3-24V); CCC;Malaysia; PSE; IRAM;	
	Model No. GT-21089-1509-T3	
	Part No./Ordering No. TR9CD1700STP-Y-PSE(R)	Rev F

## REVISION HISTORY

REV	DESCRIPTION	SUB	DATE	APPROVED
F	Update to SF format	QA	07/07/2020	QA

### POWER SUPPLY INFORMATION

TYPE	Desktop/External
TECHNOLOGY	Regulated Switchmode AC-DC Power Supply AC Adaptor
NAMEPLATE RATED INPUT	100-240V~, 50-60 Hz, 0.5A MAX
INPUT CONFIG	IEC 60320/C14
WATTS	15.00
VOLTS OUT	9.0
CURRENT OUT (Amps)	1.7
BLADE/CORD INCLUDED	N/A Not Applicable
BLADE/CORD INSTALLED	N/A :Not Applicable
INGRESS PROTECTION	
GROUNDING CONFIGURATION	(E1) Earthed output
EFFICIENCY LEVEL	N/A
OUTPUT CONFIGURATION	1830 mm, 18/2 Cond, SPT-1, SWITCHCRAFT # 850, TIP POSITIVE, OR MOLDED EQUIVALENT MALE PLUG 2.5 x 12 mm, TIP +, Ferrite: None, GlobTek Black, GT Cord # C52394
OVERMOLDED	Yes
OUTPUT CONNECTOR GENDER	Male
CONNECTOR PIN OUT	Tip Positive (+V)
LABEL SPECS	Standard GT,L-1186
SPECIAL BARCODE LABEL MATERIAL	No
PACK SPEC	Standard DT, Individually Box
USER MANUAL	

<p>GlobTek, Inc. www.globtek.com 186 Veterans Drive, Northvale, NJ 07647 Tel. (201) 784-1000 Fax (201) 784-0111</p>	<p>Drawing Title: GT-21089-1509-T3, ICT/ITE Power Supply, Efficiency Level: N/A, Case Color/Style: , Desktop/External, Regulated Switchmode AC-DC Power Supply AC Adaptor, Input Rating: 100-240V~, 50-60 Hz, IEC 60320/C14 , Output Rating: 15W, 9.0V@1.7A, Output Configuration: 1830 mm, 18/2 Cond, SPT-1, SWITCHCRAFT # 850, TIP POSITIVE, OR MOLDED EQUIVALENT MALE PLUG 2.5 x 12 mm, TIP +, Ferrite: None, GlobTek Black, GT Cord # C52394, Pin Out: Tip Positive (+V), Blades/Input Cord: Not Applicable, Approvals: EAC; Morocco; PSE; India BIS 3V,5V,6V,9V,12V,15V,18V,24V,48V; UKCA; CB 62368; CE; VCCI; WEEE; Class I; PSE; Ukraine; RoHS; China RoHS; Korea (4V, 5V Only); Korea (12V Only); Korea (3V, 6V, 9V Only); LPS ( 24V only); CB 60950; IP40; cULus ( 3.3-24V); CCC;Malaysia; PSE; IRAM;</p>
	<p>Model No. GT-21089-1509-T3</p>
	<p>Part No./Ordering No. TR9CD1700STP-Y-PSE(R) <span style="float: right;">Rev F</span></p>

Notes/Modifications/Customizations (notes in this section supersede the values shown in the standard spec)

DIMENSIONS ARE IN MM UNLESS SPECIFIED OTHERWISE

Customers PSE logo on label:



GlobTek, Inc. www.globtek.com 186 Veterans Drive, Northvale, NJ 07647 Tel. (201) 784-1000 Fax (201) 784-0111	Drawing Title: GT-21089-1509-T3, ICT/ITE Power Supply, Efficiency Level: N/A, Case Color/Style: , Desktop/External, Regulated Switchmode AC-DC Power Supply AC Adaptor, Input Rating: 100-240V~, 50-60 Hz, IEC 60320/C14 , Output Rating: 15W, 9.0V@1.7A, Output Configuration: 1830 mm, 18/2 Cond, SPT-1, SWITCHCRAFT # 850, TIP POSITIVE, OR MOLDED EQUIVALENT MALE PLUG 2.5 x 12 mm, TIP +, Ferrite: None, GlobTek Black, GT Cord # C52394, Pin Out: Tip Positive (+V), Blades/Input Cord: Not Applicable, Approvals: EAC; Morocco; PSE; India BIS 3V,5V,6V,9V,12V,15V,18V,24V,48V; UKCA; CB 62368; CE; VCCI; WEEE; Class I; PSE; Ukraine; RoHS; China RoHS; Korea (4V, 5V Only); Korea (12V Only); Korea (3V, 6V, 9V Only); LPS ( 24V only); CB 60950; IP40; cULus ( 3.3-24V); CCC;Malaysia; PSE; IRAM;	
	Model No. GT-21089-1509-T3	
	Part No./Ordering No. TR9CD1700STP-Y-PSE(R)	Rev F

## ELECTRICAL SPECIFICATIONS

### ELECTRICAL SPECIFICATIONS:

#### A) ELECTRICAL SPECIFICATIONS:

01. Input Voltage: Specified 90-264 Vac, Nameplate rated: 100-240Vac
02. Input Frequency: Specified 47-63 Hz, Nameplate rated 50-60Hz
03. Output Regulation: +/- 5% measured at the output connector
04. Line Voltage Regulation: +/- 1% typical measured at full load
05. Output Ripple (Vp-p): 1% or 100 mV whichever is greater, measured at 20 MHz bandwidth with 0.1 uf ceramic capacitor in parallel with a low impedance 47 uf electrolytic capacitor connected at the end of the output connector
06. Turn-ON/OFF: 5% maximum, 1 mS typical recovery time for 25% step load
07. Turn-ON Delay: 1 Second, typical
08. Hold-Up Time: 10 mS typical at nominal input voltage and full load
09. Inrush Current: 30A typical at 115Vac and 40A typical at 230Vac input
10. Switching Frequency: 100 KHz typical, varies with line and load
11. Efficiency: 75% typical at nominal input and full load

#### B) PROTECTION

01. Over-Voltage: limited by crowbar method
02. Over Load/Short Circuit: Momentary short circuit protected, output will auto recovery upon removal of short
03. Input Protection: Input line fusing

#### C) SAFETY

01. Dielectric Withstand Voltage: 4242 Vdc from primary to secondary (for Class II with functional ground)
02. Earth Leakage Current: <3.5mA at 264 Vac input voltage
03. Touch Current: <0.25mA @ 240Vac input voltage
04. Earth continuity test:<0.1 or < 0.2 when with a non-DETACHABLE POWER SUPPLY CORD

#### D) OTHER:

01. MTBF: 200,000 Hours @ 25°C ambient temperature
02. Operating Temperature: 0°C to 40°C ambient temperature
03. Humidity: 0% to 90% relative humidity
04. Storage Temperature: -10°C to 80°C
05. Cooling Convection
06. RoHS 2: Complies with EU 2011/65/EU China SJ/T 11363-2006

#### E) ENCLOSURE

01. Housing: High impact plastic, 94V0 polycarbonate, non-vented
02. Size: 86.5\*47.0\*32 +/-1.0 mm
03. Markings: Label and/or Pad Printed and/or Molded in the case

### PROPRIETARY INFORMATION

PROPRIETARY OF GLOBTEK, INC. ANY REPRODUCTION, DISCLOSURE OR USE OF THIS DRAWING, IN WHOLE OR IN PART, IS HEREBY PROHIBITED EXCEPT AS SPECIFIED IN WRITING BY GLOBTEK, INC. © GlobTek, Inc. 2011 - 2023

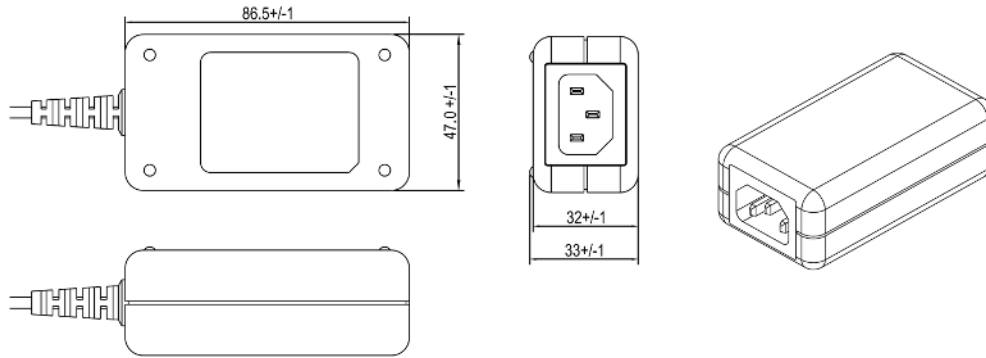
<p>GlobTek, Inc.  www.globtek.com  186 Veterans Drive,  Northvale, NJ 07647  Tel. (201) 784-1000  Fax (201) 784-0111</p>	<p>Drawing Title: GT-21089-1509-T3, ICT/ITE Power Supply, Efficiency Level: N/A, Case Color/Style: , Desktop/External, Regulated Switchmode AC-DC Power Supply AC Adaptor, Input Rating: 100-240V~, 50-60 Hz, IEC 60320/C14 , Output Rating: 15W, 9.0V@1.7A, Output Configuration: 1830 mm, 18/2 Cond, SPT-1, SWITCHCRAFT # 850, TIP POSITIVE, OR MOLDED EQUIVALENT MALE PLUG 2.5 x 12 mm, TIP +, Ferrite: None, GlobTek Black, GT Cord # C52394, Pin Out: Tip Positive (+V), Blades/Input Cord: Not Applicable, Approvals: EAC; Morocco; PSE; India BIS 3V,5V,6V,9V,12V,15V,18V,24V,48V; UKCA; CB 62368; CE; VCCI; WEEE; Class I; PSE; Ukraine; RoHS; China RoHS; Korea (4V, 5V Only); Korea (12V Only); Korea (3V, 6V, 9V Only); LPS ( 24V only); CB 60950; IP40; cULus ( 3.3-24V); CCC;Malaysia; PSE; IRAM;</p>
	<p>Model No. GT-21089-1509-T3</p>
	<p>Part No./Ordering No. TR9CD1700STP-Y-PSE(R) <span style="float: right;">Rev F</span></p>

TO ADDRESS SYSTEM-LEVEL EMI CONCERNS, FERRITE CHOKES/BEADS MAY BE ADDED/REVISED UPON REQUEST. A SAMPLE KIT OF GLOBTEK'S STANDARD FERRITES IS AVAILABLE UNDER GLOBTEK P/N: EMI-MITIGATION-KIT1

FOR ADDITIONAL INFORMATION, PLEASE READ OUR WHITE PAPER AT: <https://r.globtek.info/3QeaqtD>

<p>GlobTek, Inc.  www.globtek.com  186 Veterans Drive,  Northvale, NJ 07647  Tel. (201) 784-1000  Fax (201) 784-0111</p>	<p>Drawing Title: GT-21089-1509-T3, ICT/ITE Power Supply, Efficiency Level: N/A, Case Color/Style: , Desktop/External, Regulated Switchmode AC-DC Power Supply AC Adaptor, Input Rating: 100-240V~, 50-60 Hz, IEC 60320/C14 , Output Rating: 15W, 9.0V@1.7A, Output Configuration: 1830 mm, 18/2 Cond, SPT-1, SWITCHCRAFT # 850, TIP POSITIVE, OR MOLDED EQUIVALENT MALE PLUG 2.5 x 12 mm, TIP +, Ferrite: None, GlobTek Black, GT Cord # C52394, Pin Out: Tip Positive (+V), Blades/Input Cord: Not Applicable, Approvals: EAC; Morocco; PSE; India BIS 3V,5V,6V,9V,12V,15V,18V,24V,48V; UKCA; CB 62368; CE; VCCI; WEEE; Class I; PSE; Ukraine; RoHS; China RoHS; Korea (4V, 5V Only); Korea (12V Only); Korea (3V, 6V, 9V Only); LPS ( 24V only); CB 60950; IP40; cULus ( 3.3-24V); CCC;Malaysia; PSE; IRAM;</p>	<p>Model No. GT-21089-1509-T3</p> <p>Part No./Ordering No. TR9CD1700STP-Y-PSE(R) <span style="float: right;">Rev F</span></p>
--	--	---

Mechanical drawing

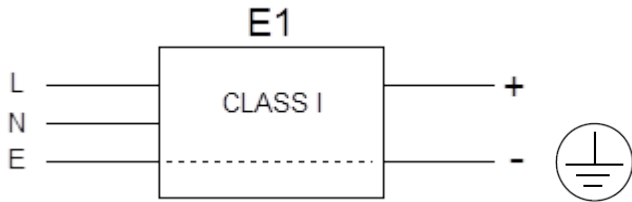


Grounding scheme of this model is functional earth.

<p>GlobTek, Inc. www.globtek.com 186 Veterans Drive, Northvale, NJ 07647 Tel. (201) 784-1000 Fax (201) 784-0111</p>	<p>Drawing Title: GT-21089-1509-T3, ICT/ITE Power Supply, Efficiency Level: N/A, Case Color/Style: , Desktop/External, Regulated Switchmode AC-DC Power Supply AC Adaptor, Input Rating: 100-240V~, 50-60 Hz, IEC 60320/C14 , Output Rating: 15W, 9.0V@1.7A, Output Configuration: 1830 mm, 18/2 Cond, SPT-1, SWITCHCRAFT # 850, TIP POSITIVE, OR MOLDED EQUIVALENT MALE PLUG 2.5 x 12 mm, TIP +, Ferrite: None, GlobTek Black, GT Cord # C52394, Pin Out: Tip Positive (+V), Blades/Input Cord: Not Applicable, Approvals: EAC; Morocco; PSE; India BIS 3V,5V,6V,9V,12V,15V,18V,24V,48V; UKCA; CB 62368; CE; VCCI; WEEE; Class I; PSE; Ukraine; RoHS; China RoHS; Korea (4V, 5V Only); Korea (12V Only); Korea (3V, 6V, 9V Only); LPS ( 24V only); CB 60950; IP40; cULus ( 3.3-24V); CCC;Malaysia; PSE; IRAM;</p>	<p>Model No. GT-21089-1509-T3 Part No./Ordering No. TR9CD1700STP-Y-PSE(R) Rev F</p>
---	--	---

**INPUT CONFIGURATION**

(E1) Earthed output

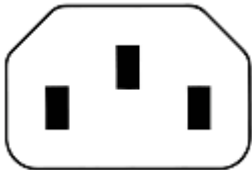


[Alternate grounding configurations](#) available upon request.

Blades/Cord Included:N/A:Not Applicable

Blades/Cord Installed:N/A:Not Applicable

IEC 60320/C14 AC Inlet Connector, Class I, Earth Ground



Mates with IEC 60320/C13 Plug

Optional Locking IEC60320 Receptacle and cord option available on some models by request.:



[Standard International IEC 320/C13 Cordsets](#)

Below are standard cordsets which are "not included" (unless stated above); these can be purchased separately or packaged with the power supply. Contact your Sales Engineer if the style required is not shown below. Many more available in different lengths, colors or cable material.

GloTek, Inc. www.globtek.com 186 Veterans Drive, Northvale, NJ 07647 Tel. (201) 784-1000 Fax (201) 784-0111	Drawing Title: GT-21089-1509-T3, ICT/ITE Power Supply, Efficiency Level: N/A, Case Color/Style: , Desktop/External, Regulated Switchmode AC-DC Power Supply AC Adaptor, Input Rating: 100-240V~, 50-60 Hz, IEC 60320/C14 , Output Rating: 15W, 9.0V@1.7A, Output Configuration: 1830 mm, 18/2 Cond, SPT-1, SWITCHCRAFT # 850, TIP POSITIVE, OR MOLDED EQUIVALENT MALE PLUG 2.5 x 12 mm, TIP +, Ferrite: None, GlobTek Black, GT Cord # C52394, Pin Out: Tip Positive (+V), Blades/Input Cord: Not Applicable, Approvals: EAC; Morocco; PSE; India BIS 3V,5V,6V,9V,12V,15V,18V,24V,48V; UKCA; CB 62368; CE; VCCI; WEEE; Class I; PSE; Ukraine; RoHS; China RoHS; Korea (4V, 5V Only); Korea (12V Only); Korea (3V, 6V, 9V Only); LPS ( 24V only); CB 60950; IP40; cULus ( 3.3-24V); CCC;Malaysia; PSE; IRAM;	
	Model No. GT-21089-1509-T3	
	Part No./Ordering No. TR9CD1700STP-Y-PSE(R)	Rev F

## Stock Power Supply Cords

Part Number/ Link	Country	Plug	Termination	Length (mm)	(Ft)
<a href="#">3021457F701(R)</a>	N. American (Type B)	NEMA 5-15P	IEC 320/C13	2150	7
<a href="#">1191068F0701(R)</a>	N. American (Type B)	NEMA 5-15P Hospital	IEC 320/C13	2459	8
<a href="#">2194272M5701-T(R)</a>	Argentina (Type I)	IRAM 2073	IEC 320/C13	2500	8
<a href="#">5502022M5701A(R)</a>	Australian (Type I)	AS3112 / 3 PRONG	IEC 320/C13	2500	8
<a href="#">204B4272M5701(R)</a>	Brazil (Type N)	BRAZIL	IEC 320/C13	2500	8
<a href="#">6023602M5701(R)</a>	China (Type I)	CCC GR2099	IEC 320/C13	2500	8
<a href="#">G8014272M5701(R)</a>	Danish (Type K)	AFSNIT SECTION 107-2-D1	IEC 320/C13	2500	8
<a href="#">23144272M5701-T(R)</a>	Europe (Type E)	CEE 7/7	IEC 320/C13	2500	8
<a href="#">23134272M5701EUKR(R)</a>	Europe/Korea Combo (Type E)	CEE 7/7 / KSC8305	IEC 320/C13	2500	8
<a href="#">205IN4272M5701(R)</a>	India (Type D)	India IS 1293 (also known as IA16A3 or BS546)	IEC 320/C13	2500	8
<a href="#">208IN4272M5701(R)</a>	India (Type M)	India IS 1293 (also known as IA16A3 or BS546)	IEC320/C13	2500	8
<a href="#">377C4272M5701(R)</a>	Israel (Type H)	ISL 377C	IEC 320/C13	2500	8
<a href="#">23024272M5701(R)</a>	Italy (Type L)	CEI 23-16/VII	IEC 320/C13	2500	8
3003339F701(R) [3x1.25mm2]	Japan (Type B)	JIS 8303 / 3 PINS	IEC 320/C13	2500	8
3003068F2701-HK(R) [3 x 2.0mm2]					
<a href="#">302J115J6F0701J(R)</a>	North America / Japan (Type B – 12A)	NEMA 5-15P (cULus approved), Japan JIS C 8303 (PSE Approved)	IEC 320/C13	1830	6
<a href="#">302J104J6F0701J(R)</a>	North America / Japan (Type B – 15A)	NEMA 5-15P (cULus approved), Japan JIS C 8303 (PSE Approved)	IEC 320/C13	1830	6
<a href="#">302JT104J9F0701JT(R)</a>	North America / Japan / Taiwan (Type B – 15A)	NEMA 5-15P (cULus approved), Japan JIS C 8303 (PSE Approved), Taiwan CNS 6797 (BSMI Approved)	IEC 320/C13	2800	9
<a href="#">2313K3432M5701(R)</a>	Korea (Type F)	KS C 8305	IEC 320/C13	2500	8
<a href="#">5804272M5701(R)</a>	Russia (Type F)	GOST 7396	IEC 320/C13	2500	8
<a href="#">2084272M5701(R)</a>	South Africa (Type M)	South Africa SABS164-1 (16A type)	IEC 320/C13	2500	8

PROPRIETARY INFORMATION

PROPRIETARY OF GLOBTEK, INC. ANY REPRODUCTION, DISCLOSURE OR USE OF THIS DRAWING, IN WHOLE OR IN PART, IS HEREBY PROHIBITED EXCEPT AS SPECIFIED IN

WRITING BY GLOBTEK, INC. © GlobTek, Inc. 2011 - 2023

quest / 08/02/2023 5:45:35 PM GMT



GlobTek, Inc. www.globtek.com 186 Veterans Drive, Northvale, NJ 07647 Tel. (201) 784-1000 Fax (201) 784-0111	Drawing Title: GT-21089-1509-T3, ICT/ITE Power Supply, Efficiency Level: N/A, Case Color/Style: , Desktop/External, Regulated Switchmode AC-DC Power Supply AC Adaptor, Input Rating: 100-240V~, 50-60 Hz, IEC 60320/C14 , Output Rating: 15W, 9.0V@1.7A, Output Configuration: 1830 mm, 18/2 Cond, SPT-1, SWITCHCRAFT # 850, TIP POSITIVE, OR MOLDED EQUIVALENT MALE PLUG 2.5 x 12 mm, TIP +, Ferrite: None, GlobTek Black, GT Cord # C52394, Pin Out: Tip Positive (+V), Blades/Input Cord: Not Applicable, Approvals: EAC; Morocco; PSE; India BIS 3V,5V,6V,9V,12V,15V,18V,24V,48V; UKCA; CB 62368; CE; VCCI; WEEE; Class I; PSE; Ukraine; RoHS; China RoHS; Korea (4V, 5V Only); Korea (12V Only); Korea (3V, 6V, 9V Only); LPS ( 24V only); CB 60950; IP40; cULus ( 3.3-24V); CCC;Malaysia; PSE; IRAM;	
	Model No. GT-21089-1509-T3	
	Part No./Ordering No. TR9CD1700STP-Y-PSE(R)	Rev F

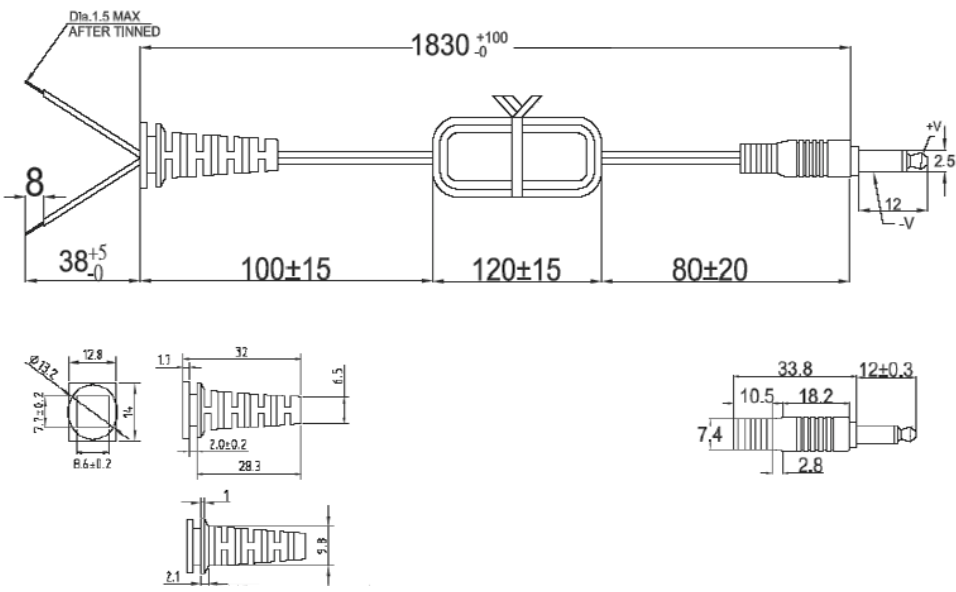
<a href="#">23214272M5701(R)</a>	Switzerland (Type J)	SEV 1011	IEC 320/C13	2500	8
<a href="#">3003322M5701(R)</a>	Taiwan (Type B)	BSMI	IEC 320/C13	2500	8
<a href="#">6363762M5701(R)</a>	Thailand (Type O)	TIS 166-2549	IEC 320/C13	2500	8
<a href="#">PZ0800100-2M5BK13H</a>	UK, Hong Kong, Singapore, Gulf States (Type G)	BS 1363A	IEC 320/C13	2500	8
<a href="#">7055002M5701A(R)</a>	International	IEC 320 C14-C13	IEC 320/C13	2500	8

GlobTek, Inc. www.globtek.com 186 Veterans Drive, Northvale, NJ 07647 Tel. (201) 784-1000 Fax (201) 784-0111	Drawing Title: GT-21089-1509-T3, ICT/ITE Power Supply, Efficiency Level: N/A, Case Color/Style: , Desktop/External, Regulated Switchmode AC-DC Power Supply AC Adaptor, Input Rating: 100-240V~, 50-60 Hz, IEC 60320/C14 , Output Rating: 15W, 9.0V@1.7A, Output Configuration: 1830 mm, 18/2 Cond, SPT-1, SWITCHCRAFT # 850, TIP POSITIVE, OR MOLDED EQUIVALENT MALE PLUG 2.5 x 12 mm, TIP +, Ferrite: None, GlobTek Black, GT Cord # C52394, Pin Out: Tip Positive (+V), Blades/Input Cord: Not Applicable, Approvals: EAC; Morocco; PSE; India BIS 3V,5V,6V,9V,12V,15V,18V,24V,48V; UKCA; CB 62368; CE; VCCI; WEEE; Class I; PSE; Ukraine; RoHS; China RoHS; Korea (4V, 5V Only); Korea (12V Only); Korea (3V, 6V, 9V Only); LPS ( 24V only); CB 60950; IP40; cULus ( 3.3-24V); CCC;Malaysia; PSE; IRAM;	
	Model No. GT-21089-1509-T3	
	Part No./Ordering No. TR9CD1700STP-Y-PSE(R)	Rev F

**OUTPUT CORD AND CONNECTOR: SW850/C52394**

ACTUAL CONNECTORS, OVERMOLDS, FERRITES MAY VARY SLIGHTLY FROM THE PICTURE BELOW

CABLE TYPE	SPT-1
CABLE LENGTH (mm)	1830
CABLE TOLERANCE (mm)	+100,-0
WIRE GAUGE (AWG)	18
CONDUCTORS	2
HANK DIMENSION (mm)	120±15
CABLE / CONNECTOR OVERMOLD COLOR	GlobTek Black
FERRITE TYPE AND DIMENSION	None
FERRITE NUMBER OF TURNS(Definition)	N/A
FERRITE DIMENSION FROM STRAIN RELIEF	N/A
FERRITE DIMENSION FROM PLUG	N/A
PLUG TYPE	SWITCHCRAFT # 850, TIP POSITIVE, OR MOLDED EQUIVALENT MALE PLUG 2.5 x 12 mm, TIP +
OUTPUT CONNECTOR GENDER	Male
OVERMOLDED	Yes
OVER MOLD ORIENTATION	N/A
CONNECTOR PIN OUT	Tip Positive (+V)



<p>GlobTek, Inc. www.globtek.com 186 Veterans Drive, Northvale, NJ 07647 Tel. (201) 784-1000 Fax (201) 784-0111</p>	<p>Drawing Title: GT-21089-1509-T3, ICT/ITE Power Supply, Efficiency Level: N/A, Case Color/Style: , Desktop/External, Regulated Switchmode AC-DC Power Supply AC Adaptor, Input Rating: 100-240V~, 50-60 Hz, IEC 60320/C14 , Output Rating: 15W, 9.0V@1.7A, Output Configuration: 1830 mm, 18/2 Cond, SPT-1, SWITCHCRAFT # 850, TIP POSITIVE, OR MOLDED EQUIVALENT MALE PLUG 2.5 x 12 mm, TIP +, Ferrite: None, GlobTek Black, GT Cord # C52394, Pin Out: Tip Positive (+V), Blades/Input Cord: Not Applicable, Approvals: EAC; Morocco; PSE; India BIS 3V,5V,6V,9V,12V,15V,18V,24V,48V; UKCA; CB 62368; CE; VCCI; WEEE; Class I; PSE; Ukraine; RoHS; China RoHS; Korea (4V, 5V Only); Korea (12V Only); Korea (3V, 6V, 9V Only); LPS ( 24V only); CB 60950; IP40; cULus ( 3.3-24V); CCC;Malaysia; PSE; IRAM;</p>
	<p>Model No. GT-21089-1509-T3</p>
	<p>Part No./Ordering No. TR9CD1700STP-Y-PSE(R) <span style="float: right;">Rev F</span></p>

ADDITIONAL OUTPUT PLUG OPTIONS ARE AVAILABLE AT <https://www.globtek.com/connectors/>  
STANDARD PLUGS AND CONNECTORS CAN BE SEEN ONLINE AT <https://www.globtek.com/connectors/>  
CALCULATE VOLTAGE REGULATION/DROP WITH OUR ONLINE CALCULATOR: <https://en.globtek.com/output-cable-regulation-calculator/>

<p>GlobTek, Inc. www.globtek.com 186 Veterans Drive, Northvale, NJ 07647 Tel. (201) 784-1000 Fax (201) 784-0111</p>	<p>Drawing Title: GT-21089-1509-T3, ICT/ITE Power Supply, Efficiency Level: N/A, Case Color/Style: , Desktop/External, Regulated Switchmode AC-DC Power Supply AC Adaptor, Input Rating: 100-240V~, 50-60 Hz, IEC 60320/C14 , Output Rating: 15W, 9.0V@1.7A, Output Configuration: 1830 mm, 18/2 Cond, SPT-1, SWITCHCRAFT # 850, TIP POSITIVE, OR MOLDED EQUIVALENT MALE PLUG 2.5 x 12 mm, TIP +, Ferrite: None, GlobTek Black, GT Cord # C52394, Pin Out: Tip Positive (+V), Blades/Input Cord: Not Applicable, Approvals: EAC; Morocco; PSE; India BIS 3V,5V,6V,9V,12V,15V,18V,24V,48V; UKCA; CB 62368; CE; VCCI; WEEE; Class I; PSE; Ukraine; RoHS; China RoHS; Korea (4V, 5V Only); Korea (12V Only); Korea (3V, 6V, 9V Only); LPS ( 24V only); CB 60950; IP40; cULus ( 3.3-24V); CCC;Malaysia; PSE; IRAM;</p>
	<p>Model No. GT-21089-1509-T3</p>
	<p>Part No./Ordering No. TR9CD1700STP-Y-PSE(R) <span style="float: right;">Rev F</span></p>

## OUTPUT CONNECTOR HOOK UP

TO ADDRESS SYSTEM-LEVEL EMI CONCERNS, FERRITE CHOKES/BEADS MAY BE ADDED/REVISED UPON REQUEST. A SAMPLE KIT OF GLOBTEK'S STANDARD FERRITES IS AVAILABLE UNDER GLOBTEK P/N: EMI-MITIGATION-KIT1

FOR ADDITIONAL INFORMATION, PLEASE READ OUR WHITE PAPER AT:

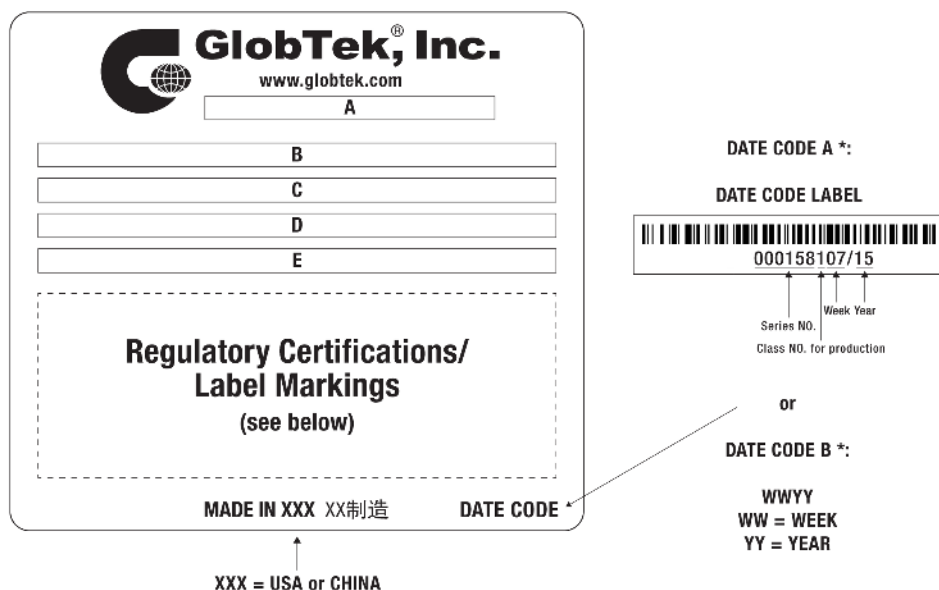
<https://en.globtek.com/technical-articles/ferrite-kit-radiated-emi-suppression-kit-for-globtek-power-supplies-cable-assemblies>

GloTek, Inc. www.globtek.com 186 Veterans Drive, Northvale, NJ 07647 Tel. (201) 784-1000 Fax (201) 784-0111	Drawing Title: GT-21089-1509-T3, ICT/ITE Power Supply, Efficiency Level: N/A, Case Color/Style: , Desktop/External, Regulated Switchmode AC-DC Power Supply AC Adaptor, Input Rating: 100-240V~, 50-60 Hz, IEC 60320/C14 , Output Rating: 15W, 9.0V@1.7A, Output Configuration: 1830 mm, 18/2 Cond, SPT-1, SWITCHCRAFT # 850, TIP POSITIVE, OR MOLDED EQUIVALENT MALE PLUG 2.5 x 12 mm, TIP +, Ferrite: None, GlobTek Black, GT Cord # C52394, Pin Out: Tip Positive (+V), Blades/Input Cord: Not Applicable, Approvals: EAC; Morocco; PSE; India BIS 3V,5V,6V,9V,12V,15V,18V,24V,48V; UKCA; CB 62368; CE; VCCI; WEEE; Class I; PSE; Ukraine; RoHS; China RoHS; Korea (4V, 5V Only); Korea (12V Only); Korea (3V, 6V, 9V Only); LPS ( 24V only); CB 60950; IP40; cULus ( 3.3-24V); CCC;Malaysia; PSE; IRAM;	
	Model No. GT-21089-1509-T3	
	Part No./Ordering No. TR9CD1700STP-Y-PSE(R)	Rev F

**LABEL:L-1186**

LABEL P/N	Standard GT
MATERIAL	Flat Thermal Transfer, Imprintable, Polyester Label and/or Pad Printed and/or Molded, and/or Laser Engraved in the case
BACKGROUND COLOR	Black if housing is Black, White or Silver if housing is White or Gray.
TEXT COLOR	White or Silver if label is Black Background for Black housing. Black if label is White or Silver background and Housing is White or Gray.
LABEL WIDTH (mm)	36.0
LABEL HEIGHT (mm)	47.5
SPECIAL BARCODE LABEL MATERIAL	No

Below is the minimum information which will appear on the label. NOTE: in the logo area additional/actual positioning of symbols and text is subjected to change as per agency updates/requirements or additional model approvals become available.  
Regulatory certifications/label markings may be in logo area on the label or molded into the case housing outside the label area.  
Information will be shown via label and/or pad printed and/or molded and/or laser engraved in the case. \* Date code markings at GlobTek option



A=ICT/ITE Power Supply  
B=P/N: (料号) TR9CD1700STP-Y-PSE(R)  
C=Model (型号) GT-21089-1509-T3  
D=Input (输入)100-240V~, 50-60 Hz, 0.5A MAX  
E=Output (输出)9.0 V 1.7 A, 15.00W

<b>GlobTek, Inc.</b> <b>www.globtek.com</b> <b>186 Veterans Drive,</b> <b>Northvale, NJ 07647</b> <b>Tel. (201) 784-1000</b> <b>Fax (201) 784-0111</b>	Drawing Title: GT-21089-1509-T3, ICT/ITE Power Supply, Efficiency Level: N/A, Case Color/Style: , Desktop/External, Regulated Switchmode AC-DC Power Supply AC Adaptor, Input Rating: 100-240V~, 50-60 Hz, IEC 60320/C14 , Output Rating: 15W, 9.0V@1.7A, Output Configuration: 1830 mm, 18/2 Cond, SPT-1, SWITCHCRAFT # 850, TIP POSITIVE, OR MOLDED EQUIVALENT MALE PLUG 2.5 x 12 mm, TIP +, Ferrite: None, GlobTek Black, GT Cord # C52394, Pin Out: Tip Positive (+V), Blades/Input Cord: Not Applicable, Approvals: EAC; Morocco; PSE; India BIS 3V,5V,6V,9V,12V,15V,18V,24V,48V; UKCA; CB 62368; CE; VCCI; WEEE; Class I; PSE; Ukraine; RoHS; China RoHS; Korea (4V, 5V Only); Korea (12V Only); Korea (3V, 6V, 9V Only); LPS ( 24V only); CB 60950; IP40; cULus ( 3.3-24V); CCC;Malaysia; PSE; IRAM;	
	<b>Model No. GT-21089-1509-T3</b>	
	<b>Part No./Ordering No. TR9CD1700STP-Y-PSE(R)</b>	<b>Rev F</b>

AGENCY ONLINE DOCUMENTS	<a href="http://www.globtek.info/certs/GT-21089/">http://www.globtek.info/certs/GT-21089/</a>
CE EC-Declaration for Medical	<a href="#">Contact GlobTek for more information</a>
CE EC-Declaration for Industrial/Commercial/ITE	<a href="http://globtek.force.com/models/ec_declaration_product?id=01t30000002o5uB&amp;i=3">http://globtek.force.com/models/ec_declaration_product?id=01t30000002o5uB&amp;i=3</a>
CE EC-Declaration for Household	<a href="#">Contact GlobTek for more information</a>
UKCA-Declaration for Medical	<a href="#">Contact GlobTek for more information</a>
UKCA-Declaration for Industrial/Commercial/ITE	<a href="http://globtek.force.com/models/ukca_declaration_product?id=01t30000002o5uB&amp;i=3">http://globtek.force.com/models/ukca_declaration_product?id=01t30000002o5uB&amp;i=3</a>
UKCA-Declaration for Household	<a href="#">Contact GlobTek for more information</a>
Morocco SDoC Declaration	<a href="https://globtek.secure.force.com/models/Morocco_SDoC_Declaration?id=a0O30000009SX9vEAG">https://globtek.secure.force.com/models/Morocco_SDoC_Declaration?id=a0O30000009SX9vEAG</a>
RoHS/RoHS3 Declaration	<a href="https://www.globtek.com/pdf/rohs_cert/01t30000002o5uBAAQ">https://www.globtek.com/pdf/rohs_cert/01t30000002o5uBAAQ</a>
REACH Declaration	<a href="https://www.globtek.com/pdf/iso_certificates/REACH.pdf">https://www.globtek.com/pdf/iso_certificates/REACH.pdf</a>
Conflict Minerals Declaration	<a href="https://www.globtek.com/pdf/conflict-minerals.pdf">https://www.globtek.com/pdf/conflict-minerals.pdf</a>
Prop 65 Statement	<a href="https://en.globtek.com/prop-65-statement.pdf">https://en.globtek.com/prop-65-statement.pdf</a>
IPXY rating is based on 3rd party testing and customers should check suitability and test system level IPXY rating before ordering.	

## Regulatory Certifications/Label Markings

Below follows a link to the latest regulatory certifications and marks for this specific product. National standards as well as certification schemes are constantly changing and so is the set of certification marks and symbols applicable to this product. Various standards, marks and symbols, and certificates are subject to change at any time without notice.

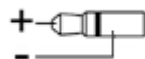
Additional standards or unique country certifications are available upon request. Please contact Globtek to request a quotation.

LATEST PRODUCT/MODEL CERTIFICATIONS: <https://www.globtek.com/datasheet/w70550>

AGENCY ONLINE DOCUMENTS <http://www.globtek.info/certs/GT-21089/>



(E1) Earthed output



Tip Positive (+V)

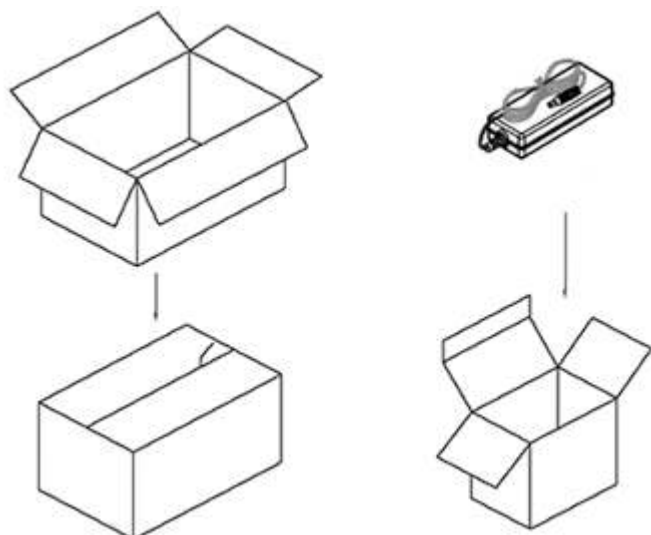
GlobTek, Inc. www.globtek.com 186 Veterans Drive, Northvale, NJ 07647 Tel. (201) 784-1000 Fax (201) 784-0111	Drawing Title: GT-21089-1509-T3, ICT/ITE Power Supply, Efficiency Level: N/A, Case Color/Style: , Desktop/External, Regulated Switchmode AC-DC Power Supply AC Adaptor, Input Rating: 100-240V~, 50-60 Hz, IEC 60320/C14 , Output Rating: 15W, 9.0V@1.7A, Output Configuration: 1830 mm, 18/2 Cond, SPT-1, SWITCHCRAFT # 850, TIP POSITIVE, OR MOLDED EQUIVALENT MALE PLUG 2.5 x 12 mm, TIP +, Ferrite: None, GlobTek Black, GT Cord # C52394, Pin Out: Tip Positive (+V), Blades/Input Cord: Not Applicable, Approvals: EAC; Morocco; PSE; India BIS 3V,5V,6V,9V,12V,15V,18V,24V,48V; UKCA; CB 62368; CE; VCCI; WEEE; Class I; PSE; Ukraine; RoHS; China RoHS; Korea (4V, 5V Only); Korea (12V Only); Korea (3V, 6V, 9V Only); LPS ( 24V only); CB 60950; IP40; cULus ( 3.3-24V); CCC;Malaysia; PSE; IRAM;	
	Model No. GT-21089-1509-T3	
	Part No./Ordering No. TR9CD1700STP-Y-PSE(R)	Rev F

## PACKAGING

Packing Spec P/N	Standard DT, Individually Box
Box Qty	60
Gift Box Size (mm)	147*100*33
Gift Box Color	White
Master Carton Size (mm)	465 x 415 x 225
Master Carton Cubic Volume (m³)	0.04
Master GW (Kg)	13.2 kg
BLADES INCLUDED	N/A: Not Applicable
BLADE/CORD INSTALLED	N/A: Not Applicable
USER MANUAL*	
USER MANUAL WEB LINK	

\* This specification sheet is considered the user manual for all applications. It is expected that the buyer of this product will use it to formulate their own user manual for their end product and a user manual specifically for the power adapter is not usually required. If a user manual is not specifically listed above then none will be provided with this unit.

If specific packaging is required, this section must specify all requirements and note "no exceptions". If this section does not specify packaging, it is subject to change without notice at GlobTek's discretion



### PROPRIETARY INFORMATION

GloTek, Inc. www.globtek.com 186 Veterans Drive, Northvale, NJ 07647 Tel. (201) 784-1000 Fax (201) 784-0111	Drawing Title: GT-21089-1509-T3, ICT/ITE Power Supply, Efficiency Level: N/A, Case Color/Style: , Desktop/External, Regulated Switchmode AC-DC Power Supply AC Adaptor, Input Rating: 100-240V~, 50-60 Hz, IEC 60320/C14 , Output Rating: 15W, 9.0V@1.7A, Output Configuration: 1830 mm, 18/2 Cond, SPT-1, SWITCHCRAFT # 850, TIP POSITIVE, OR MOLDED EQUIVALENT MALE PLUG 2.5 x 12 mm, TIP +, Ferrite: None, GlobTek Black, GT Cord # C52394, Pin Out: Tip Positive (+V), Blades/Input Cord: Not Applicable, Approvals: EAC; Morocco; PSE; India BIS 3V,5V,6V,9V,12V,15V,18V,24V,48V; UKCA; CB 62368; CE; VCCI; WEEE; Class I; PSE; Ukraine; RoHS; China RoHS; Korea (4V, 5V Only); Korea (12V Only); Korea (3V, 6V, 9V Only); LPS ( 24V only); CB 60950; IP40; cULus ( 3.3-24V); CCC;Malaysia; PSE; IRAM;	
	Model No. GT-21089-1509-T3	
	Part No./Ordering No. TR9CD1700STP-Y-PSE(R)	Rev F

## INSTRUCTIONS TO THE OEM SYSTEMS ENGINEER

It is the responsibility of the OEM systems engineer to provide the end system user instructions and warnings for the use of this product in the end system.

If an input cord is required for this product, AC Mains voltage should be provided to the power supply by a power supply cord approved to the national standards of the country in which it will be used.

This product is not designed to be repaired. No serviceable parts inside. A blown internal fuse is an indication of catastrophic failure of circuit component(s). If a Failure Analysis is required for a failed power supply/battery charger, please return the damaged unit to GlobTek for an accurate determination of the root cause of the failure.

EMC Compliance of the complete OEM product, including the GlobTek power supply/battery charger needs to be verified by the OEM systems engineer.

## INSTRUCTION SHEET

N/A

---



<p>GlobTek, Inc.  www.globtek.com  186 Veterans Drive,  Northvale, NJ 07647  Tel. (201) 784-1000  Fax (201) 784-0111</p>	<p>Drawing Title: GT-21089-1509-T3, ICT/ITE Power Supply, Efficiency Level: N/A, Case Color/Style: , Desktop/External, Regulated Switchmode AC-DC Power Supply AC Adaptor, Input Rating: 100-240V~, 50-60 Hz, IEC 60320/C14 , Output Rating: 15W, 9.0V@1.7A, Output Configuration: 1830 mm, 18/2 Cond, SPT-1, SWITCHCRAFT # 850, TIP POSITIVE, OR MOLDED EQUIVALENT MALE PLUG 2.5 x 12 mm, TIP +, Ferrite: None, GlobTek Black, GT Cord # C52394, Pin Out: Tip Positive (+V), Blades/Input Cord: Not Applicable, Approvals: EAC; Morocco; PSE; India BIS 3V,5V,6V,9V,12V,15V,18V,24V,48V; UKCA; CB 62368; CE; VCCI; WEEE; Class I; PSE; Ukraine; RoHS; China RoHS; Korea (4V, 5V Only); Korea (12V Only); Korea (3V, 6V, 9V Only); LPS ( 24V only); CB 60950; IP40; cULus ( 3.3-24V); CCC;Malaysia; PSE; IRAM;</p>
	<p>Model No. GT-21089-1509-T3</p>
	<p>Part No./Ordering No. TR9CD1700STP-Y-PSE(R) <span style="float: right;">Rev F</span></p>

