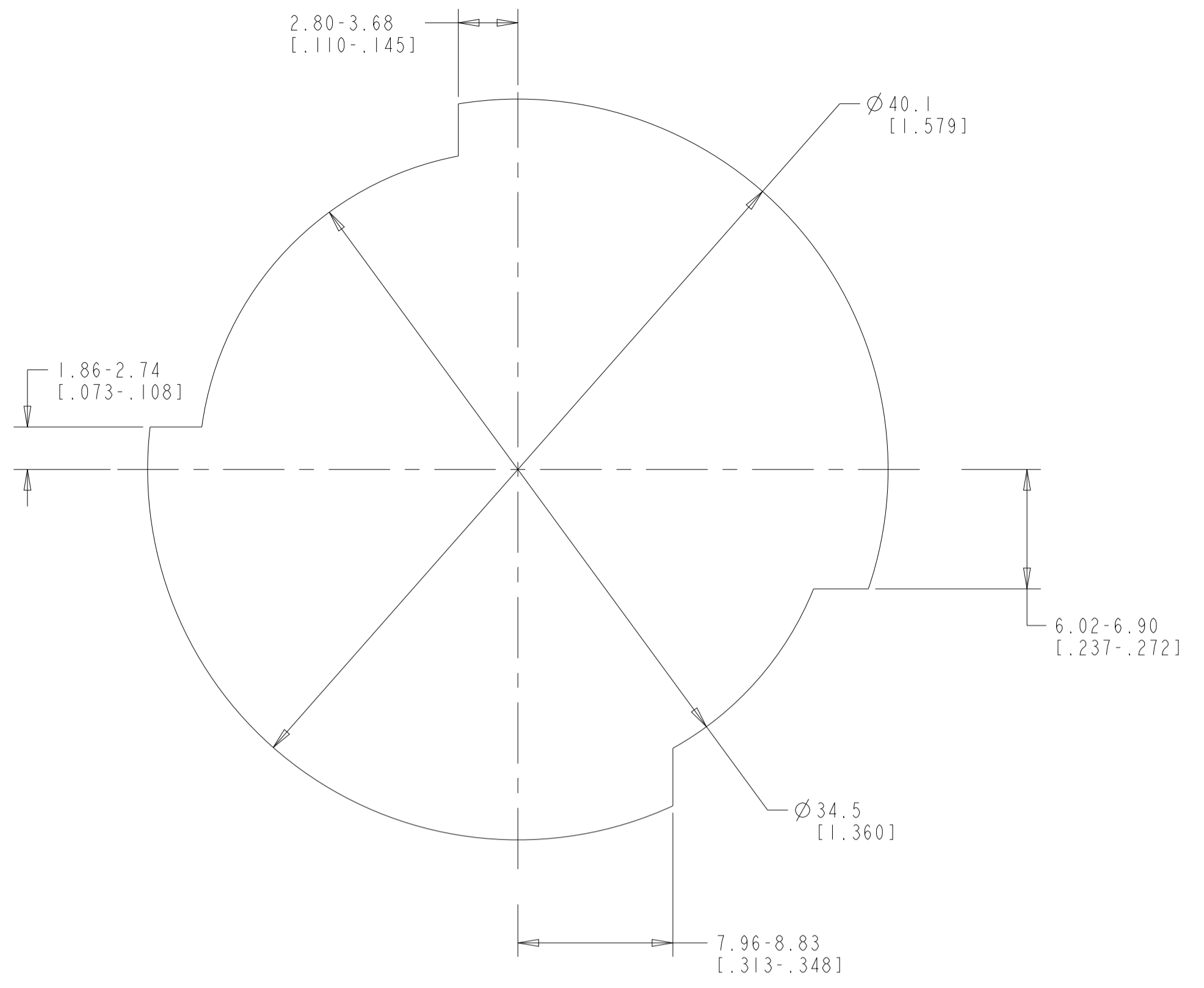
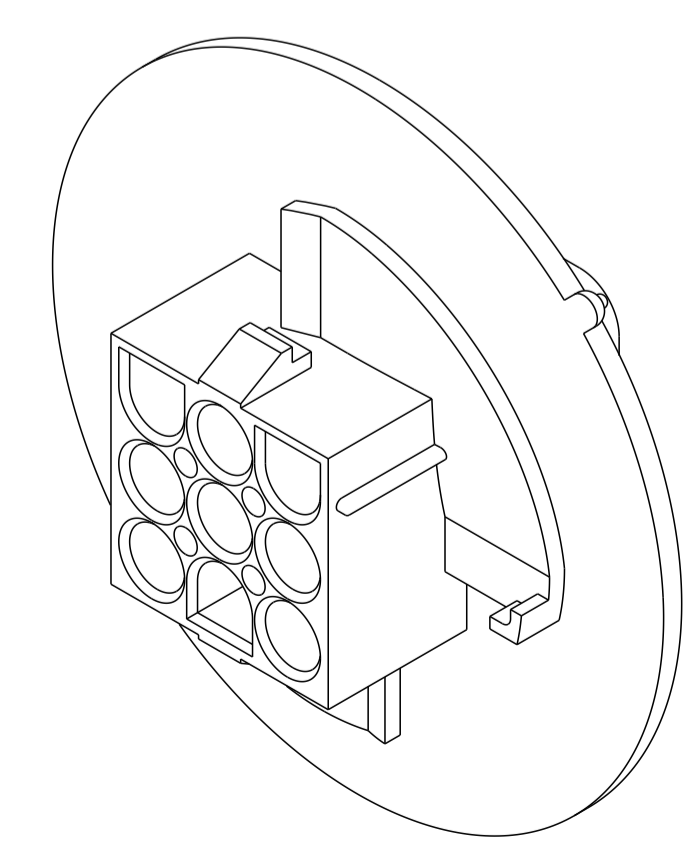
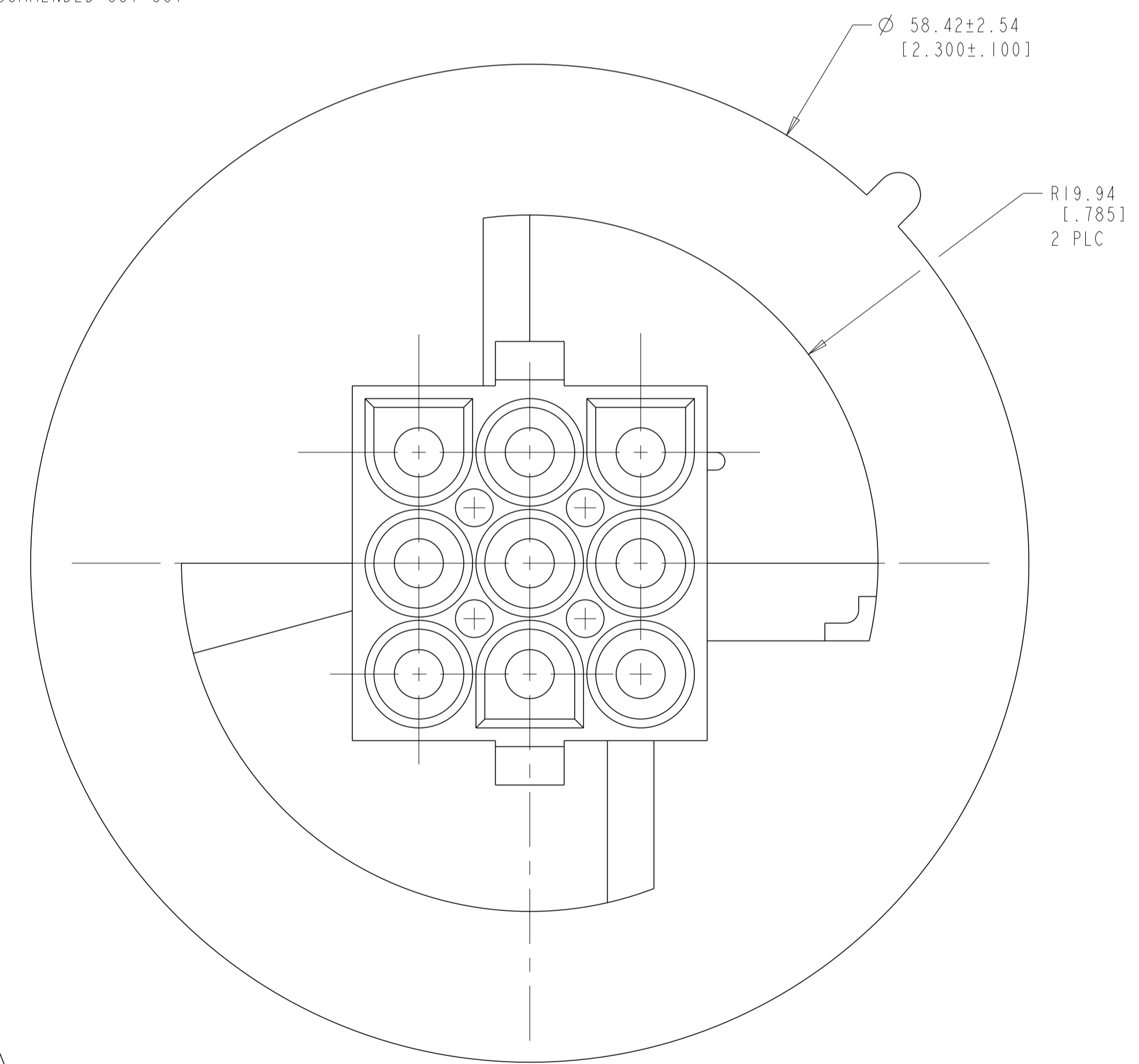


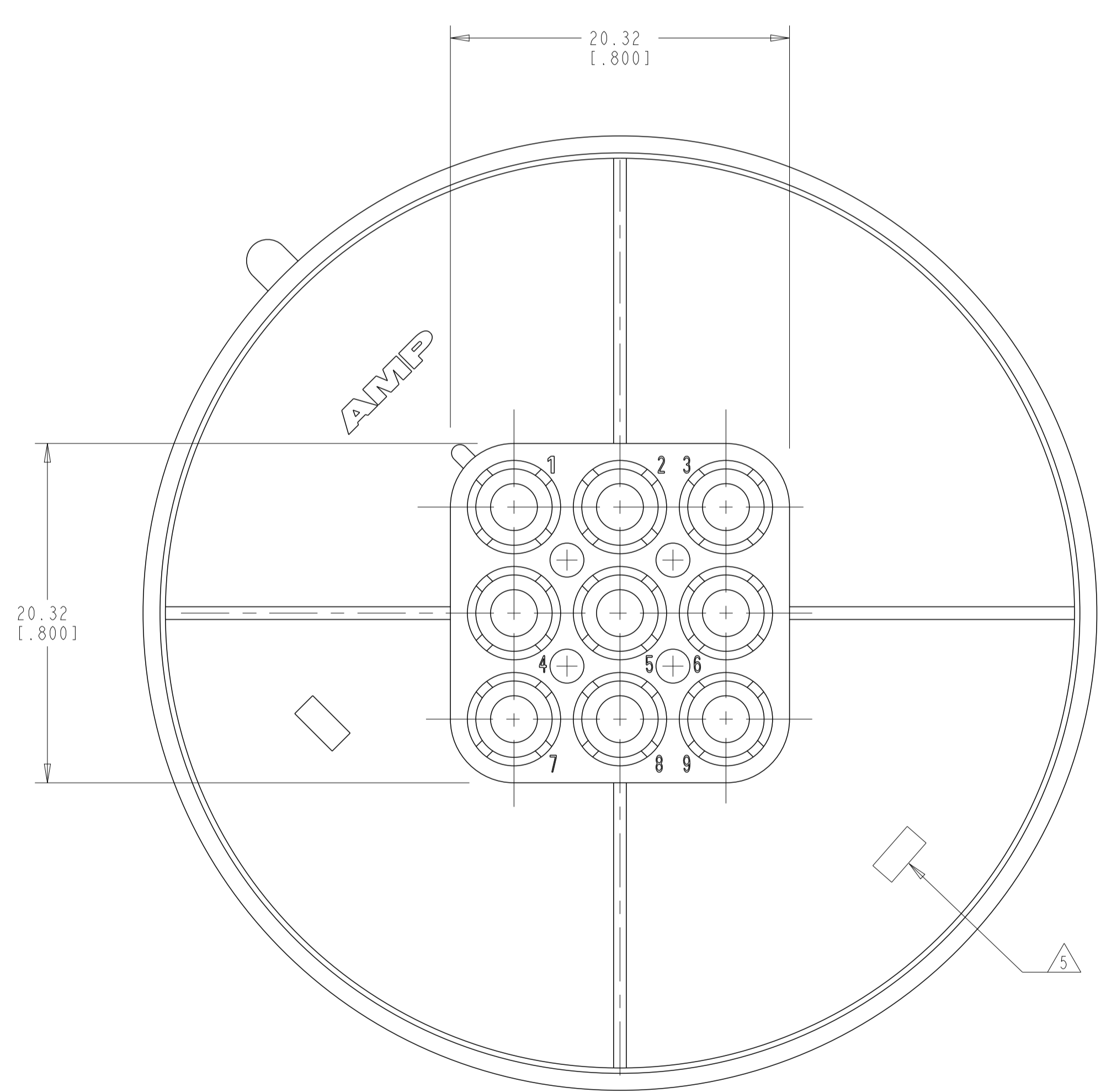
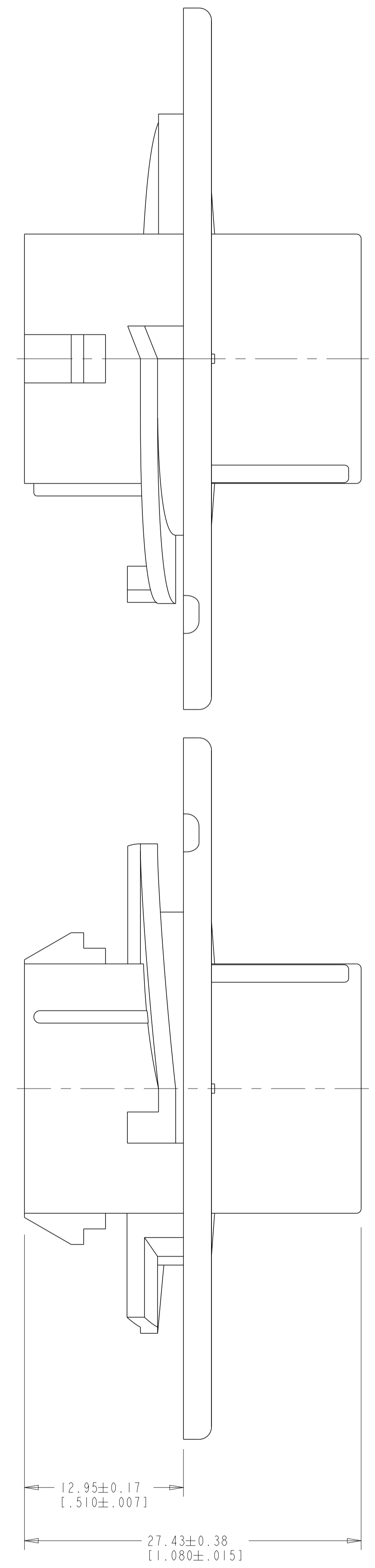
LOC		DIST		REVISIONS			
P	LTN	DESCRIPTION	DATE	DWN	APVD		
F1		REVISED PER ECR-17-015922	07NOV2017	BDA	KR		



RECOMMENDED CUT OUT



3-DIMENSIONAL MODEL SCALE 2:1



- MATES WITH APPROPRIATE UNIVERSAL MATE-N-LOK™ PLUG AND CONTACTS.
 - RECOMMENDED PANEL THICKNESS 0.76 - 2.29 [0.030 - .090].
 - PANEL MUST BE PUNCHED SO THAT THE HOUSING ENTERS THE PANEL IN THE SAME DIRECTION AS THE PUNCH.
 - DIMENSIONS SHOWN REPRESENT PRODUCT IN DRY, AS MOLDED, CONDITION. ADDITIONAL 2% GROWTH DUE TO SUBSEQUENT MOISTURE ABSORPTION MAY OCCUR AND SHOULD BE ACCOUNTED FOR.
- △ 5 UL AND CSA LOGOS LOCATED APPROXIMATELY AS SHOWN

RED	2029299-1
COLOR	PART NUMBER

THIS DRAWING IS A CONTROLLED DOCUMENT.		DWN: ARJUN 16JAN2010	TE Connectivity	
DIMENSIONS: mm [INCHES]		CHK: M. SARVER 16JAN2010		
TOLERANCES UNLESS OTHERWISE SPECIFIED:		APVD: -	NAME: CAP. 9 CIRCUIT, UNIVERSAL MATE-N-LOK(TM), SPECIAL	
0 PLC ±	PRODUCT SPEC	SIZE: CAGE CODE DRAWING NO. RESTRICTED TO		
1 PLC ±0.511 (0.020)	APPLICATION SPEC	A1 00779 ©=2029299		
2 PLC ±	APPLICATION SPEC	SCALE: 4:1 SHEET 1 OF 1 REV: 1		
3 PLC ±	APPLICATION SPEC	CUSTOMER DRAWING		
4 PLC ±	APPLICATION SPEC			
ANGLES: 40° 30'	FINISH: -			
MATERIAL: NYLON, UL 94V-0, RED	FINISH: -			