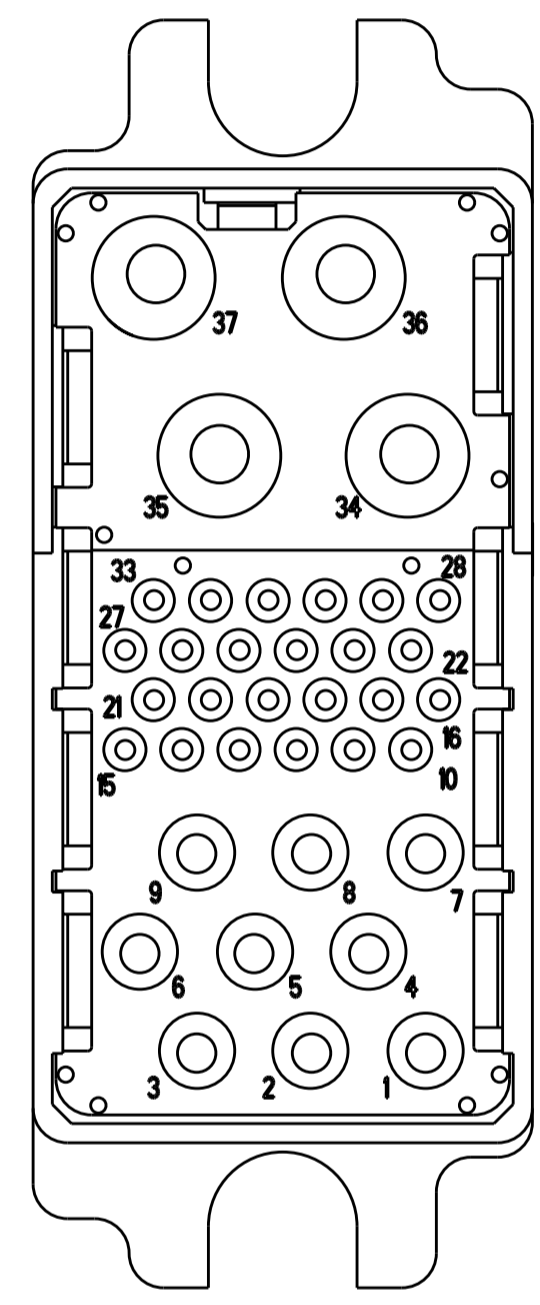
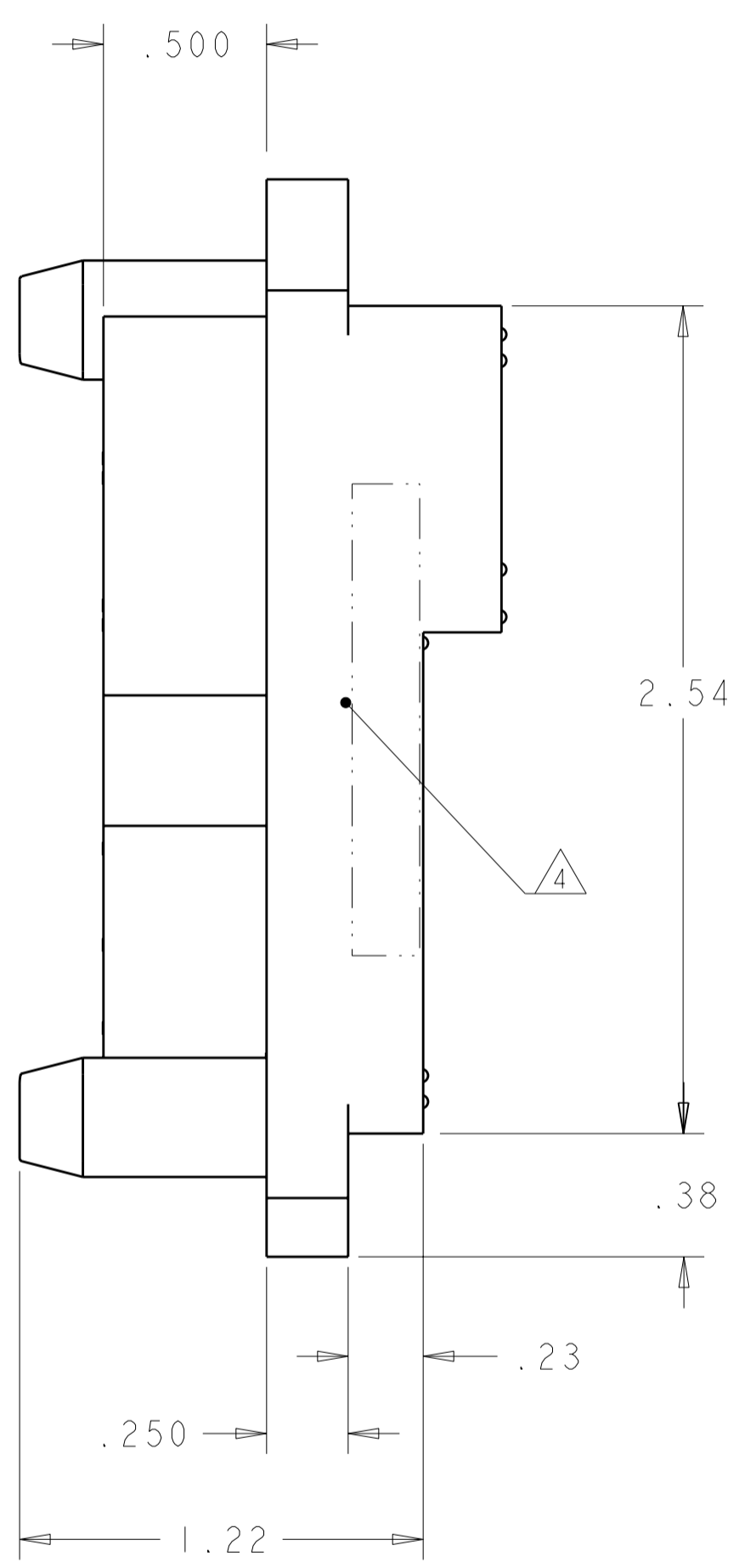
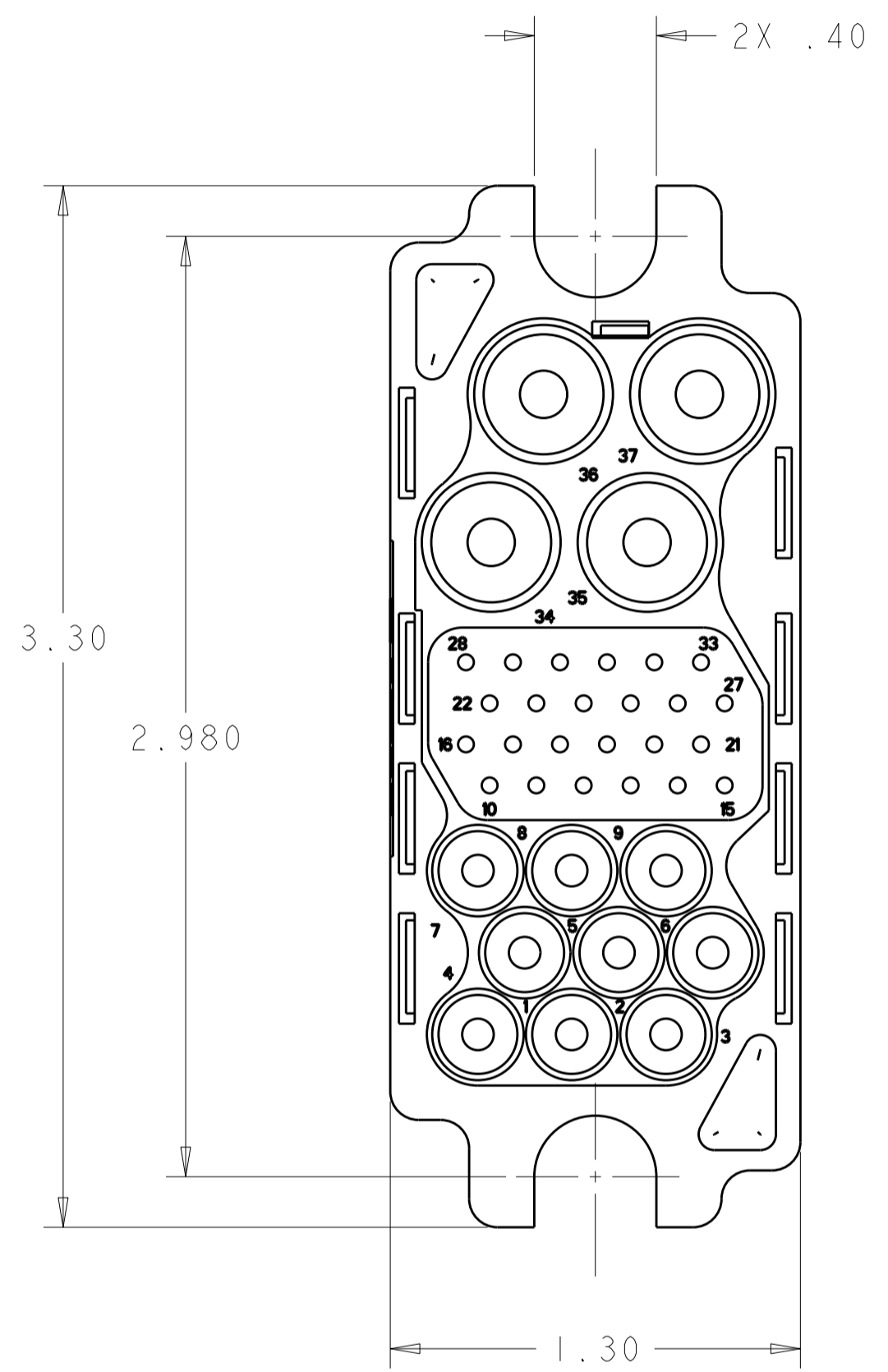


THIS DRAWING IS UNPUBLISHED. RELEASED FOR PUBLICATION 20
 © COPYRIGHT 20 BY TYCO ELECTRONICS CORPORATION. ALL RIGHTS RESERVED.

LOC	DIST	REVISIONS					
GP	00	P	LTR	DESCRIPTION	DATE	DWN	APVD
			A	RELEASED	18AUG2009	RG	DO



- PIN CONTACT, (B) SIZE #8
- PIN CONTACT, (C) SIZE #20
- PIN CONTACT, (D) SIZE #12

REAR VIEW

ELCON 75A MIDDLE DRAWER

THIS DRAWING IS A CONTROLLED DOCUMENT FOR TYCO ELECTRONICS CORPORATION. IT IS SUBJECT TO CHANGE AND THE CONTROLLING ENGINEERING ORGANIZATION SHOULD BE CONTACTED FOR THE LATEST REVISION.		DWN R. GRZYBOWSKI 3AUG09	AS SHOWN		2085276-1
DIMENSIONS: INCHES		CHK D. ORRIS 3AUG09	DESCRIPTION		PART NUMBER
TOLERANCES UNLESS OTHERWISE SPECIFIED: 0 PLC ± 1 PLC ±.02 2 PLC ±.02 3 PLC ±.010 4 PLC ± ANGLES ±.5 FINISH		APVD M. PERCHERKE 3AUG09	Tyco Electronics Harrisburg, PA 17105-3608		
MATERIAL		PRODUCT SPEC 108-2285	NAME PIN CONNECTOR ASSEMBLY CRIMP STYLE MIDDLE DRAWER		
		APPLICATION SPEC 114-13206	SIZE A2	CAGE CODE 00779	DRAWING NO 2085276
		WEIGHT -	RESTRICTED TO -		
		CUSTOMER DRAWING	SCALE 4:1	SHEET 1	OF 2 REV A

