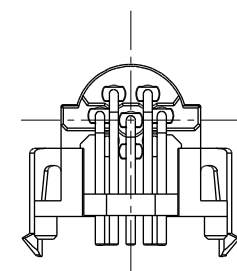
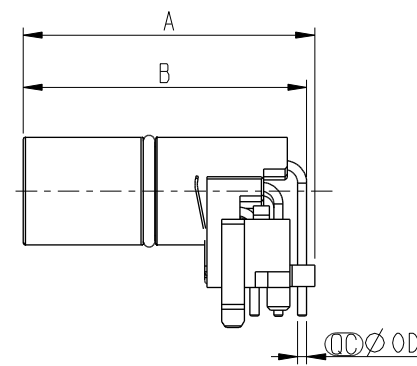
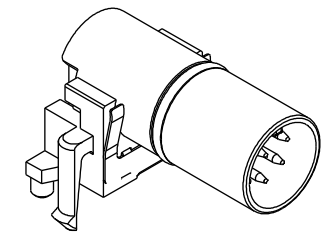
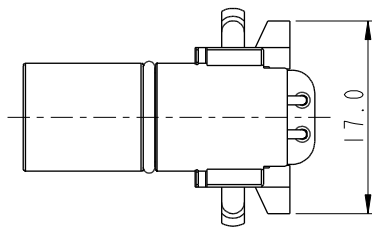
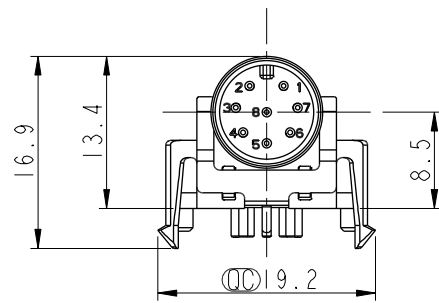


THIS DOCUMENT IS SUBJECT TO CHANGE WITHOUT NOTICE. IT IS CONFIDENTIAL AND A PROPERTY OF AMPHENOL LTW. DISCLOSURE TO THIRD PARTY HAS TO BE AUTHORIZED BY AMPHENOL LTW.

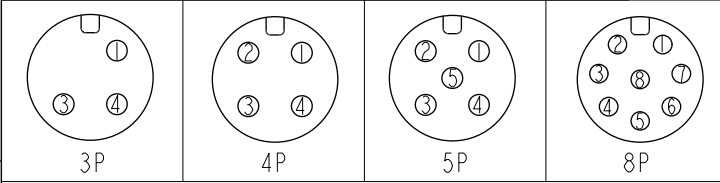
REV.	ECN NO.	DATE	SIGN	DESCRIPTION
A		2022-01-20	Jiahe Lin	Rev.01 To Rev.A

MSAS-XXPMMR-EE0001
 XX: No. Of Pin

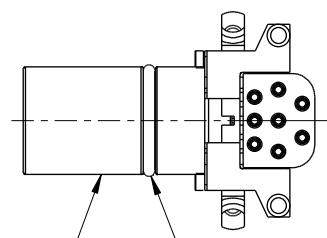


MSAS-03PMMR-EE0001	25.9	24.8	1.0
MSAS-04PMMR-EE0001	25.9	24.8	1.0
MSAS-05PMMR-EE0001	25.9	24.8	1.0
MSAS-08PMMR-EE0001	25.7	25.0	0.8

Item No.	A	B	OD
----------	---	---	----



Pin Assignment Front View



- Note:
- * RoHS Compliant
 - * \varnothing Important dimension
 - * Waterproof rate: Non-Waterproof
 - * Connector
 - Housing: Thermoplastic, Black
 - Pin: Copper alloy, Gold plated
 - O-Ring: Rubber, Black
 - * For pcb thickness max: 1.6mm

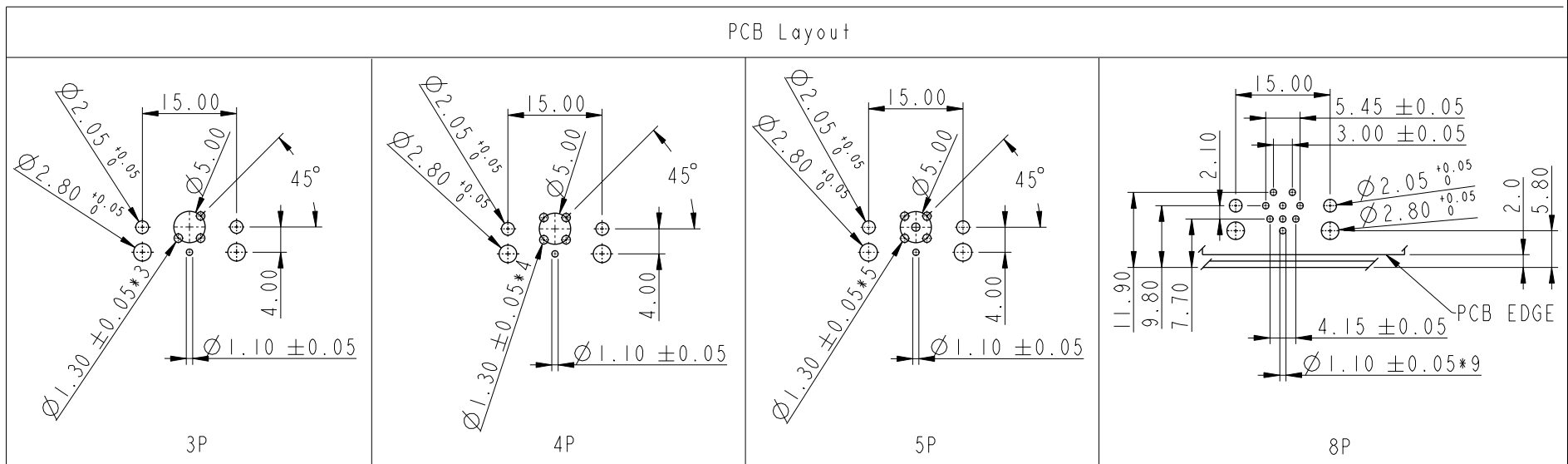
UNIT: mm			TITLE N SEN, M12 A -SHLD, RECEPTACLE, M, M, PCB R
TOLERANCE .X ±0.25 .XX ±0.1 .XXX ±0.05 ANGLES ±1°	SCALE 3:2	SIZE A4	SHEET 1 OF 2
REV. A	WC-REV. A.1	\varnothing : Inspection item	

Amphenol LTW
 安費諾亮泰企業股份有限公司

ITEM NO.	DRAWN BY Jiahe Lin	DATE 2022-01-20
DWG NO. MSAS-XXPMMR-EE0001	CHECKED BY Allen Pan	DATE 2022-01-20
CUSTOMER ALTW	APPROVED BY Fred Lee	DATE 2022-01-20

THIS DOCUMENT IS SUBJECT TO CHANGE WITHOUT NOTICE. IT IS CONFIDENTIAL AND A PROPERTY OF Amphenol LTW. DISCLOSURE TO THIRD PARTY HAS TO BE AUTHORIZED BY Amphenol LTW.

PCB Layout



A	UNIT: mm	TITLE N SEN, M12 A -SHLD, RECEPTACLE, M, M, PCB R	
	TOLERANCE .X ±0.25 .XX ±0.1 .XXX ±0.05 ANGLES ±1°	SCALE 3:2	SIZE A4
		REV. A	SHEET 2 OF 2

Amphenol LTW
安費諾亮泰企業股份有限公司

ITEM NO	DRAWN BY Jiahe Lin	DATE 2022-01-20
DWG NO MSAS-XXPMMR-EE0001	CHECKED BY Allen Pan	DATE 2022-01-20
CUSTOMER ALTW	APPROVED BY Fred Lee	DATE 2022-01-20